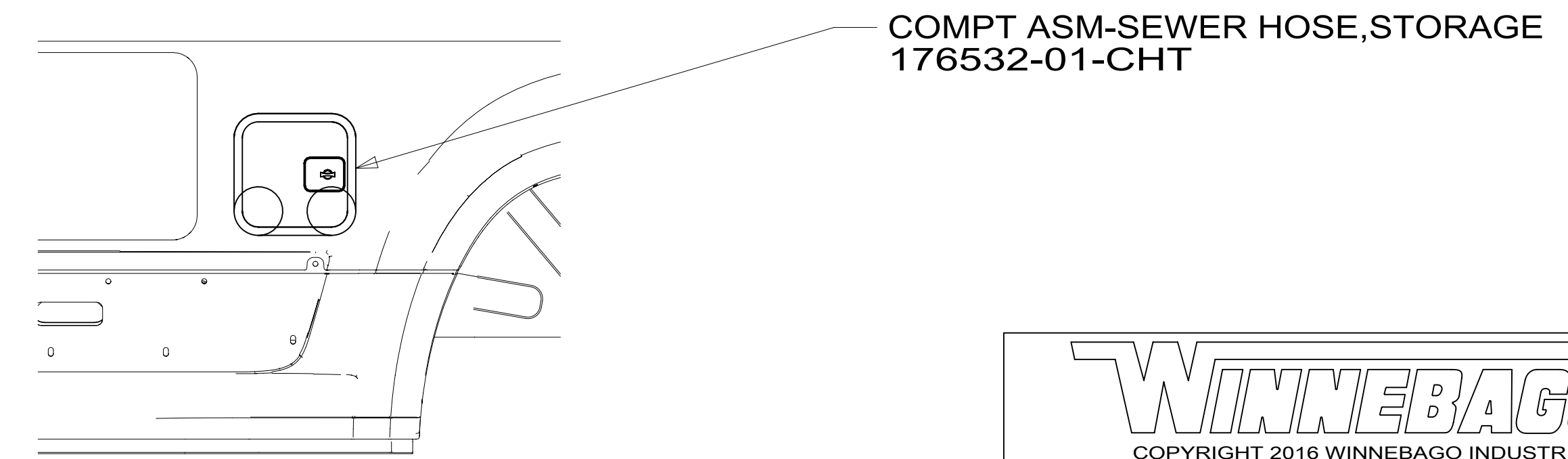


- 12. REMOVE CAP FROM CONNECTOR 114974-01-000, INSTALL SCREEN 191399-01-000 OVER HOLE, RE-INSTALL CAP.
- 11. USE CLEAR SILICONE TO SEAL THE SINK TO THE SHOWER SURROUND.
- 10. TRIM TO FIT.
- 9. ALL CRIMP FITTINGS TO 1/2" PEX TUBING REQUIRE 1/2" CLAMP 140171-03-000.
- 8. NIPPLE TO BE TRIMMED TO LENGTH ON INSTALL.
- 7. SECURE VENT PIPE WITH CLAMP 062401-02-000.
- 6. VENT PIPE MUST PROJECT 51 MIN AND 64 MAX ABOVE ROOF FOR PROPER FIT AND FUNCTION.
- 5. SEAL AROUND SHOWER WITH SILICONE.
- 4. SECURE DRAINAGE PIPES TO CABINET USING WIRE TIE 108046-02-000, AND SCREW 000G67-10-12U AT INTERVALS OF NOT MORE THAN 4 FEET APART.
- 3. ALL PIPE AND FITTINGS TO BE ASSEMBLED WITH SOLVENT 004020-01-000 (USA), 004020-02-000 (CAN)
- 2. SLOPE OF TRAP ARM MUST BE 6 PER 305 mm.
- 1. SLOPE OF HORIZONTAL PIPING TO BE MINIMUM OF 3 PER 305 mm.

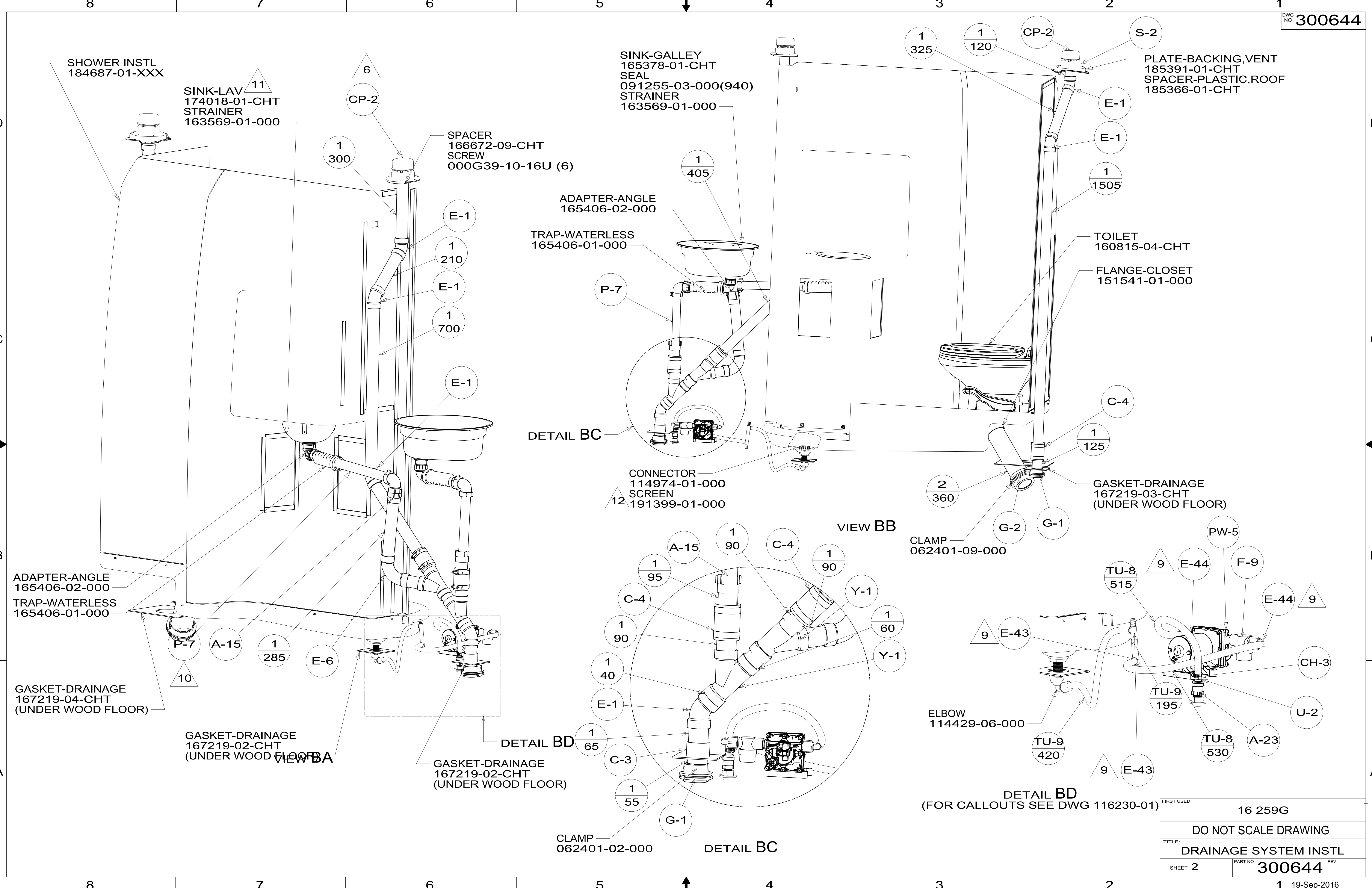
NOTES:



VIEW AA

FOR DRAINAGE CALLOUTS SEE DWG NO. 000211962 / 303370-01-000

WINNEBAGO [®]		COPYRIGHT 2016 WINNEBAGO INDUSTRIES, INC.	
DSNR:		ALL DIMENSIONS ARE IN MILLIMETERS	
DIFFR:		MATERIAL:	
UNSPECIFIED TOLERANCES:			
WHOLE DIM (X)	3		
ONE-PLACE (X.X)	1.5		
TWO-PLACE (X.XX)	0.50		
ANGLE	1°		
REFER TO ES0018 FOR FASTENER TIGHTENING GUIDELINES	WEIGHT: (LBS)	FIRST USED: (REF)	
			16 259G
DESCRIPTION:			
DRAINAGE SYSTEM INSTL			
SHEET:	ITEM/PART NO.:	REV	
1 OF 4	000180835 / 30064401000		
REF:		1 19-Sep-2016	



SHOWER INSTL
184687-01-XXX

SINK-LAV 11
174018-01-CHT
STRAINER
163569-01-000

SINK-GALLEY
165378-01-CHT
SEAL
091255-03-000(940)
STRAINER
163569-01-000

PLATE-BACKING, VENT
185391-01-CHT
SPACER-PLASTIC, ROOF
185366-01-CHT

ADAPTER-ANGLE
165406-02-000
TRAP-WATERLESS
165406-01-000

GASKET-DRAINAGE
167219-04-CHT
(UNDER WOOD FLOOR)

GASKET-DRAINAGE
167219-02-CHT
(UNDER WOOD FLOOR)

ADAPTER-ANGLE
165406-02-000

TRAP-WATERLESS
165406-01-000

DETAIL BC

CONNECTOR
114974-01-000
SCREEN
12 191399-01-000

VIEW BB

CLAMP
062401-09-000

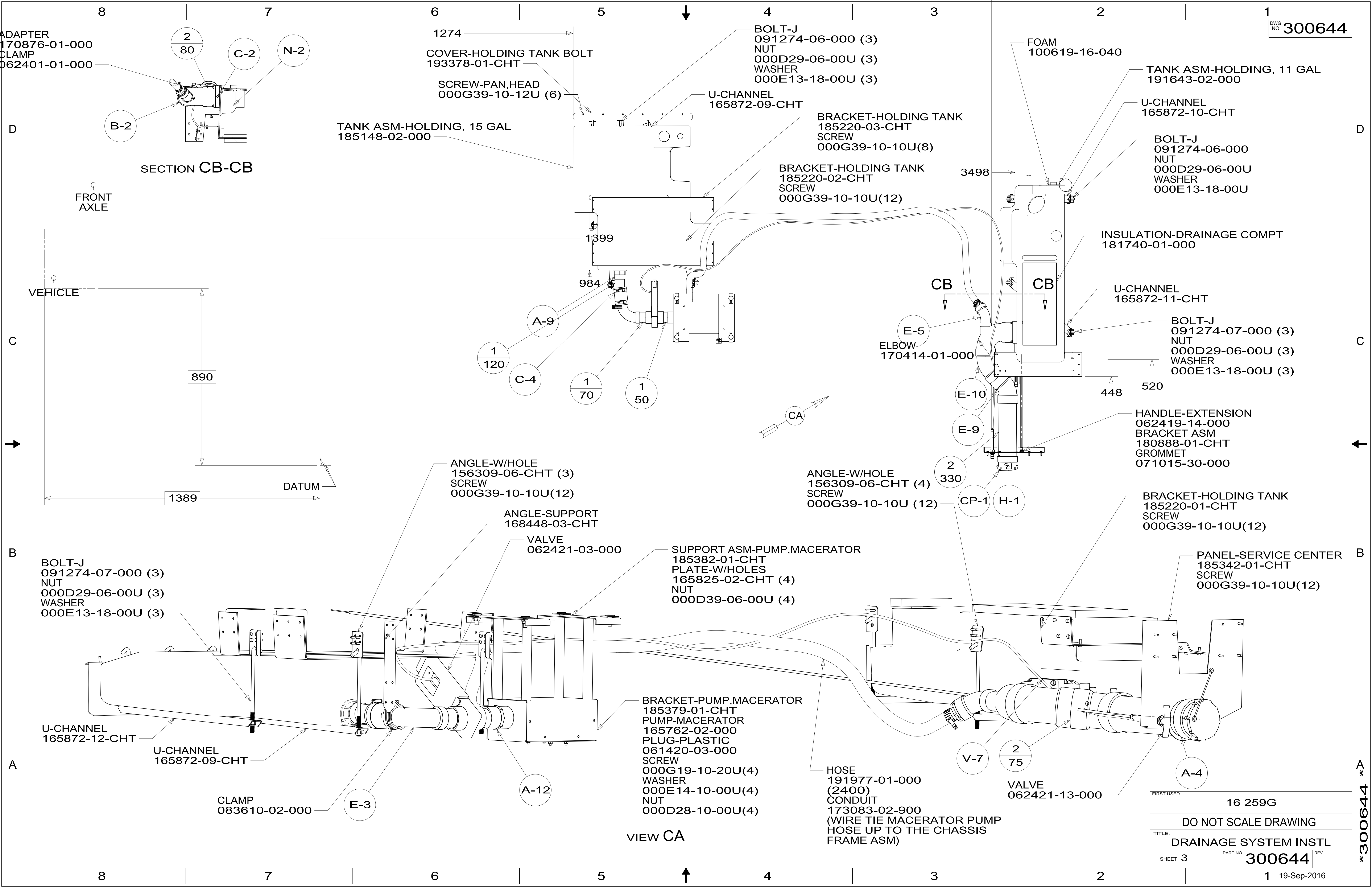
GASKET-DRAINAGE
167219-03-CHT
(UNDER WOOD FLOOR)

ELBOW
114429-06-000

DETAIL BD
(FOR CALLOUTS SEE DWG 116230-01)

FIRST USED	16 259G
DO NOT SCALE DRAWING	
TITLE: DRAINAGE SYSTEM INSTL	
SHEET 2	PART NO 300644 REV
19-Sep-2016	

300644

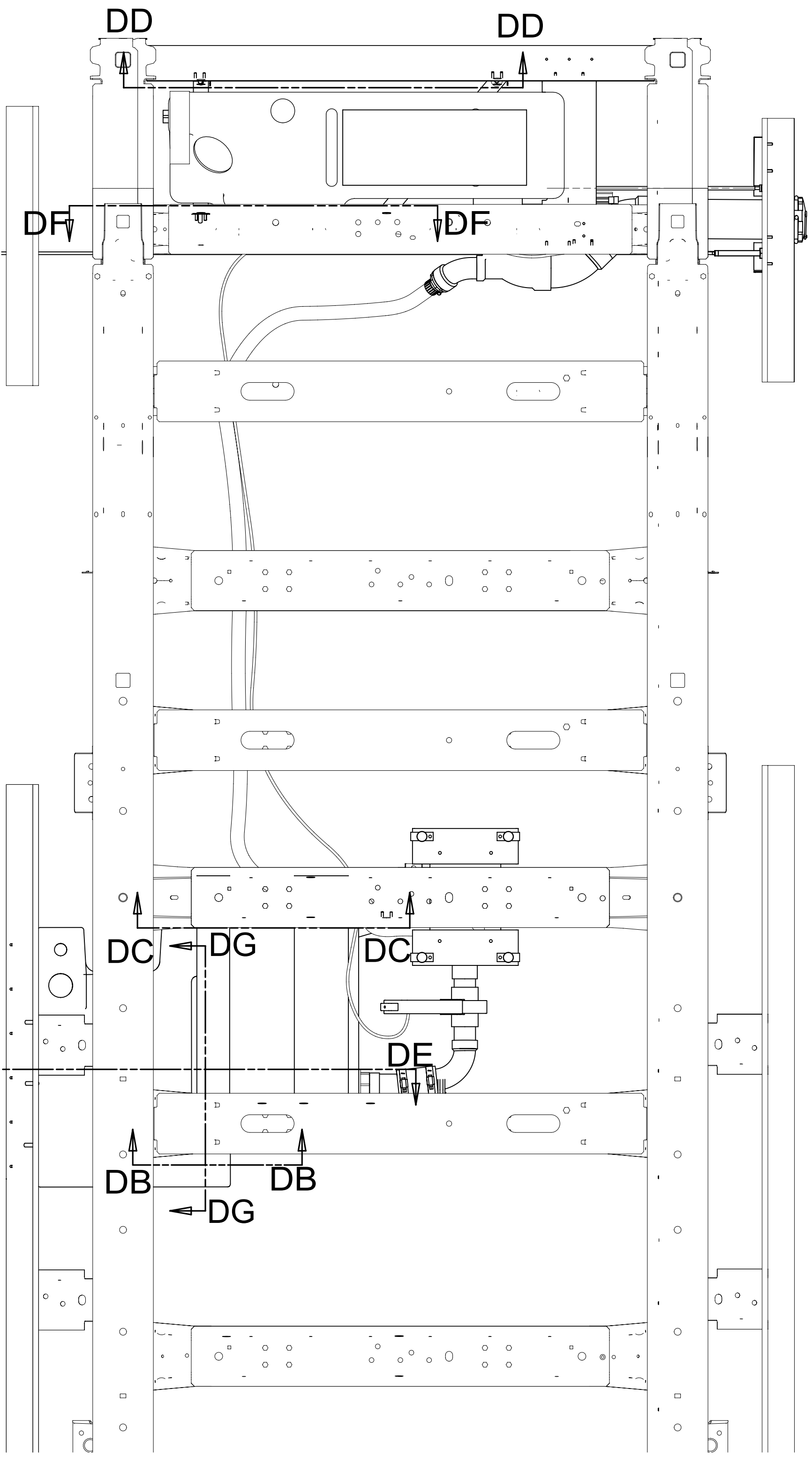


SECTION CB-CB

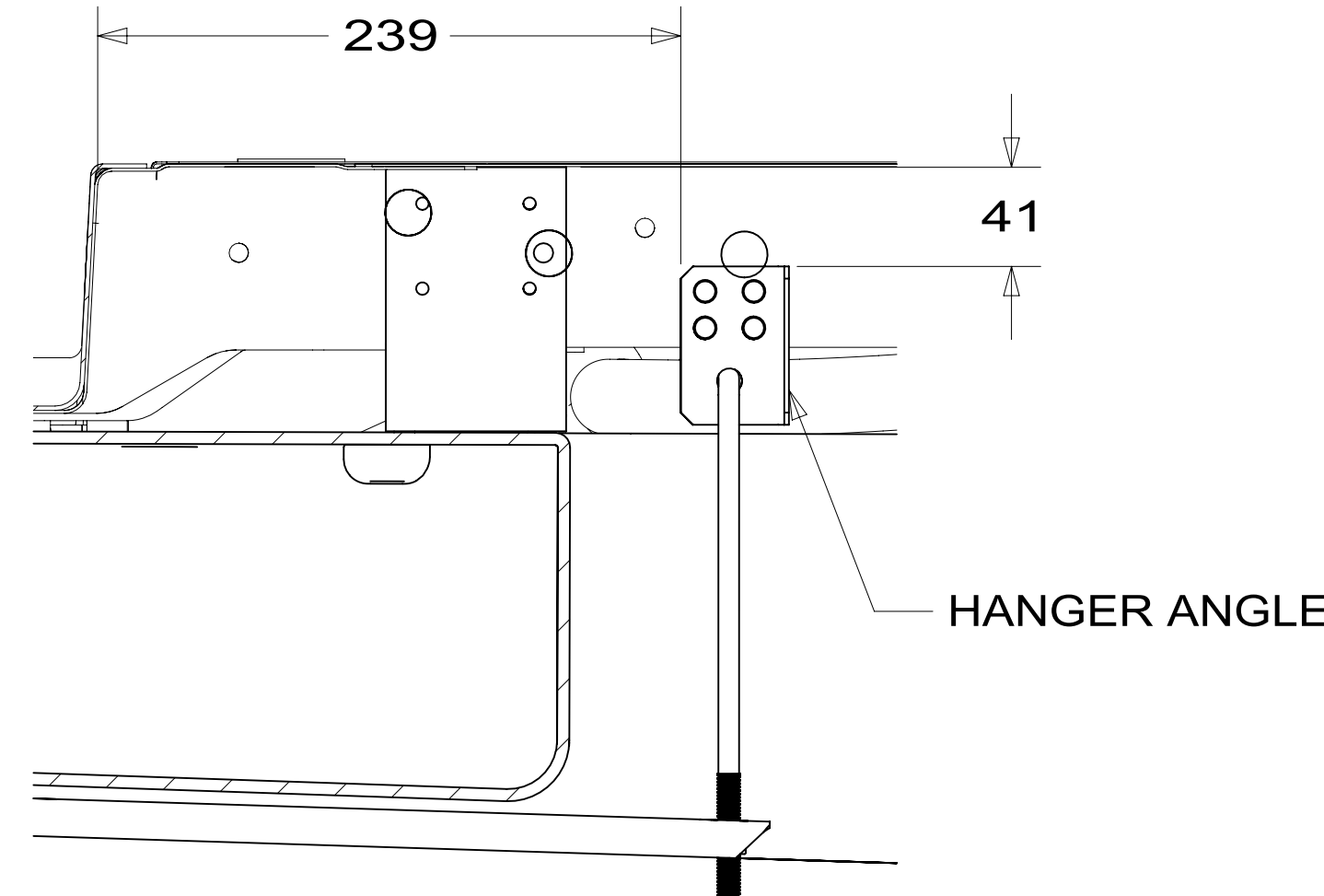
VIEW CA

FIRST USED	16 259G
DO NOT SCALE DRAWING	
TITLE: DRAINAGE SYSTEM INSTL	
SHEET 3	PART NO 300644
REV 19-Sep-2016	

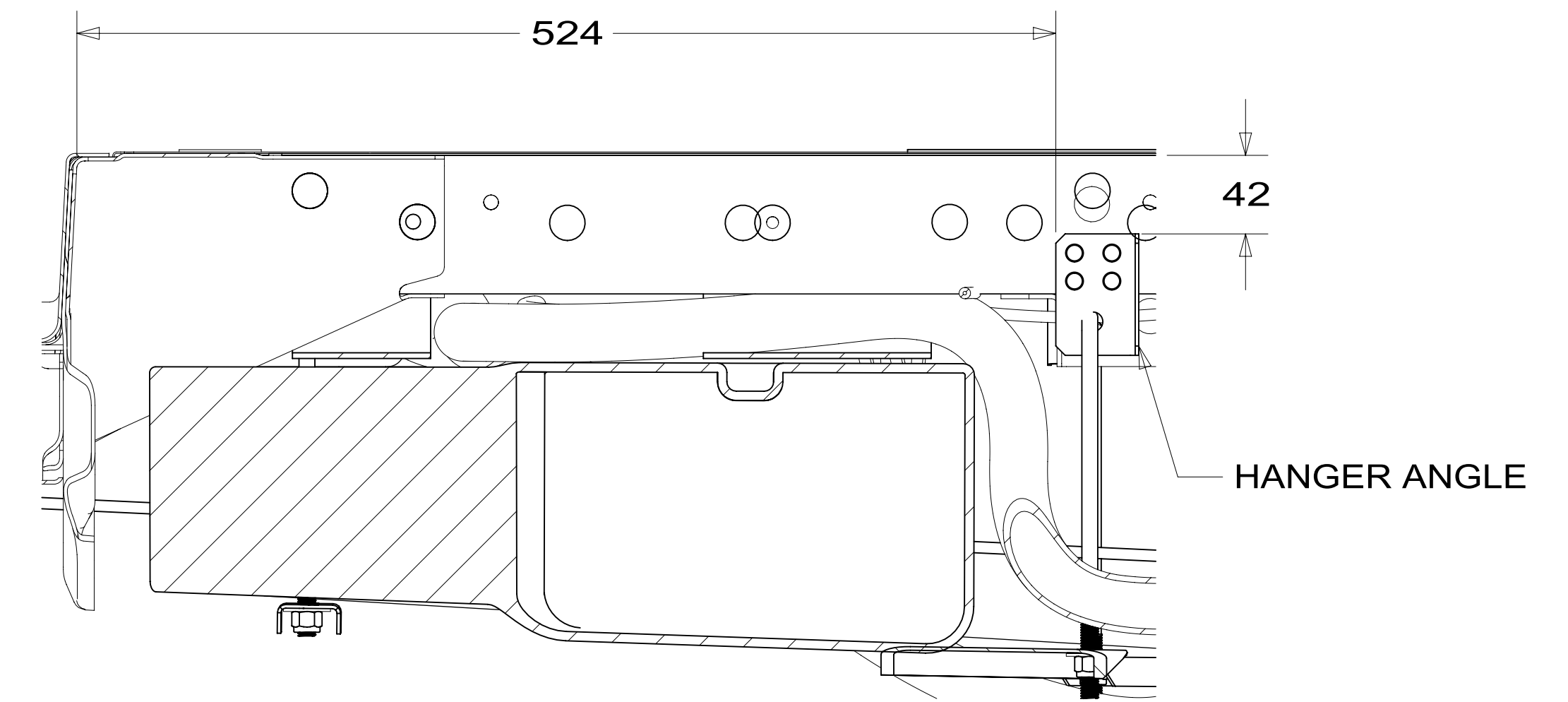
300644



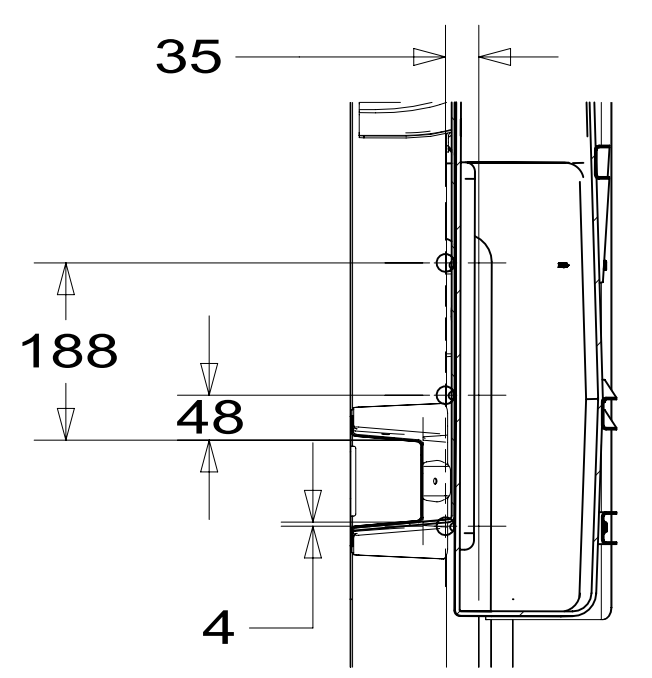
VIEW DA



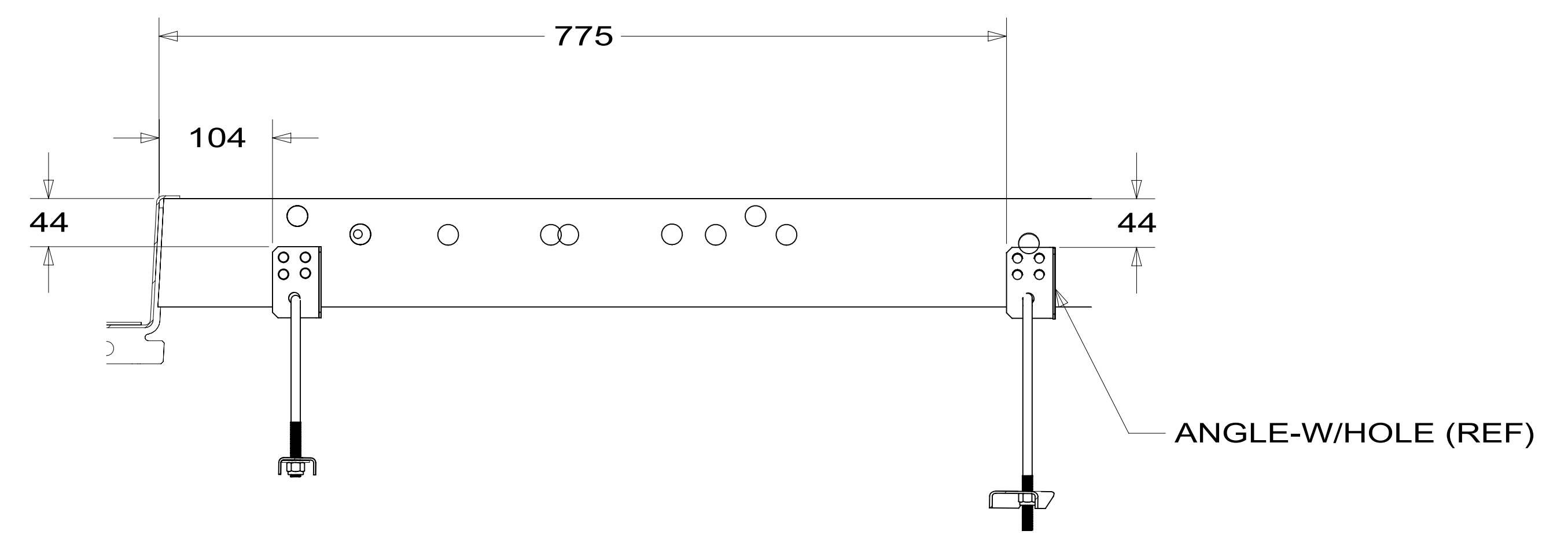
SECTION DB-DB



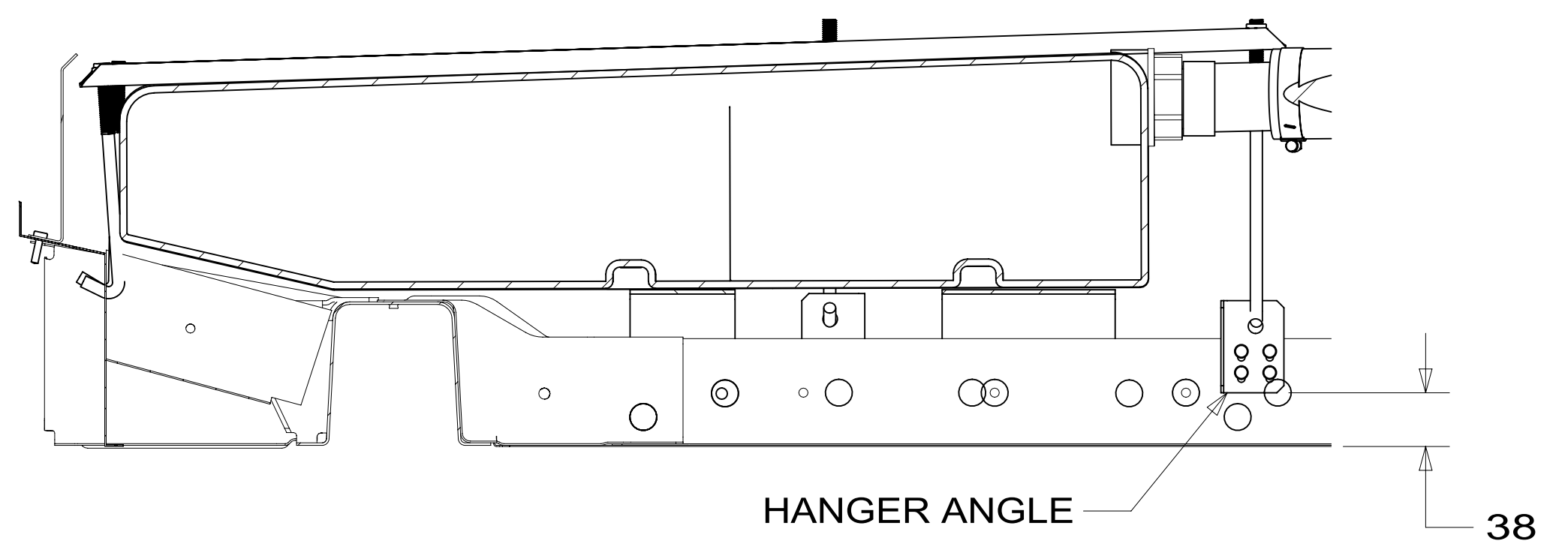
SECTION DC-DC



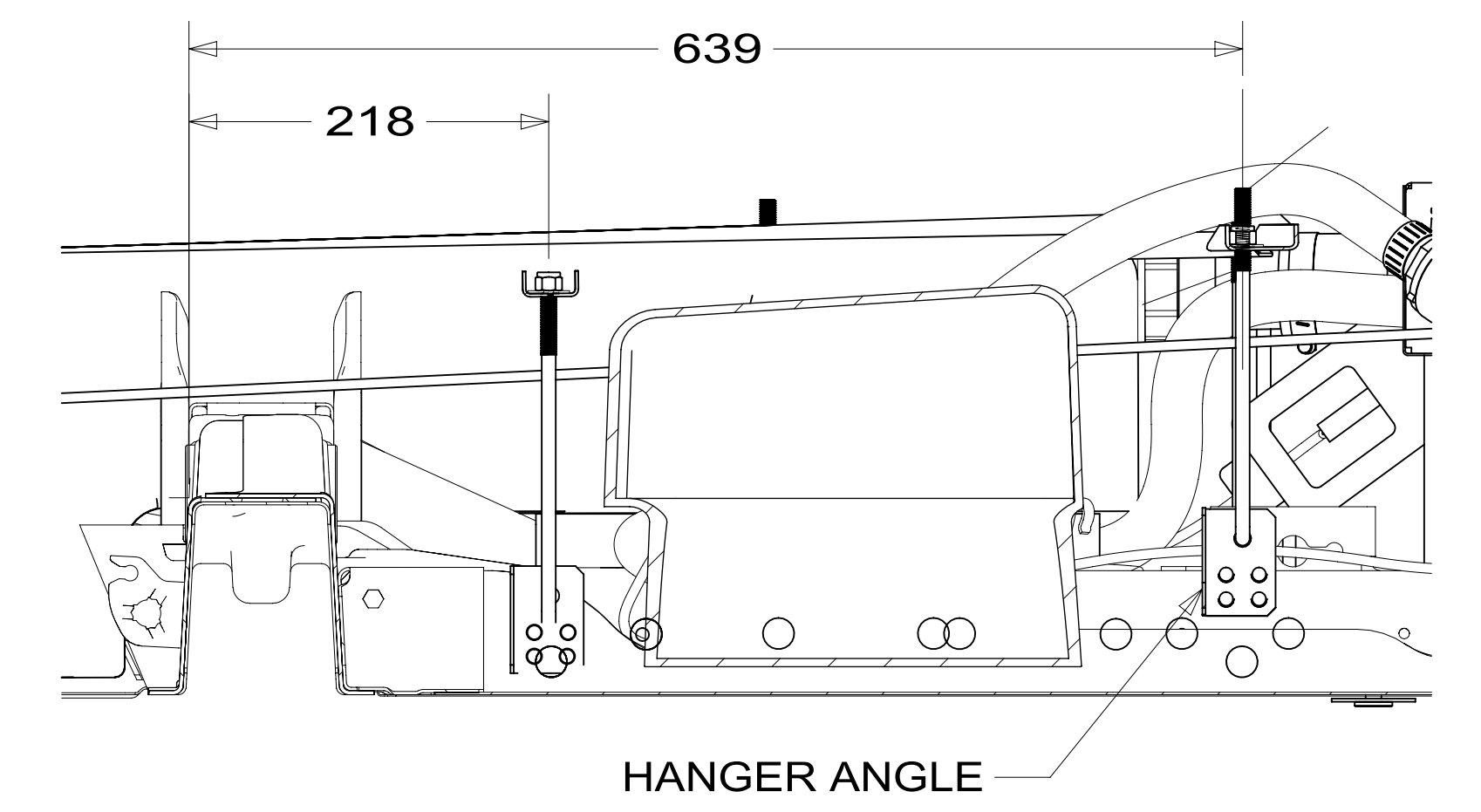
SECTION DG-DG



SECTION DD-DD



SECTION DE-DE



SECTION DF-DF

FIRST USED	16 259G		
TITLE:	DO NOT SCALE DRAWING		
TITLE:	DRAINAGE SYSTEM INSTL		
SHEET 4	PART NO	300644	REV
			1 19-Sep-2016

300644