

FRONT OF COACH

DATUM

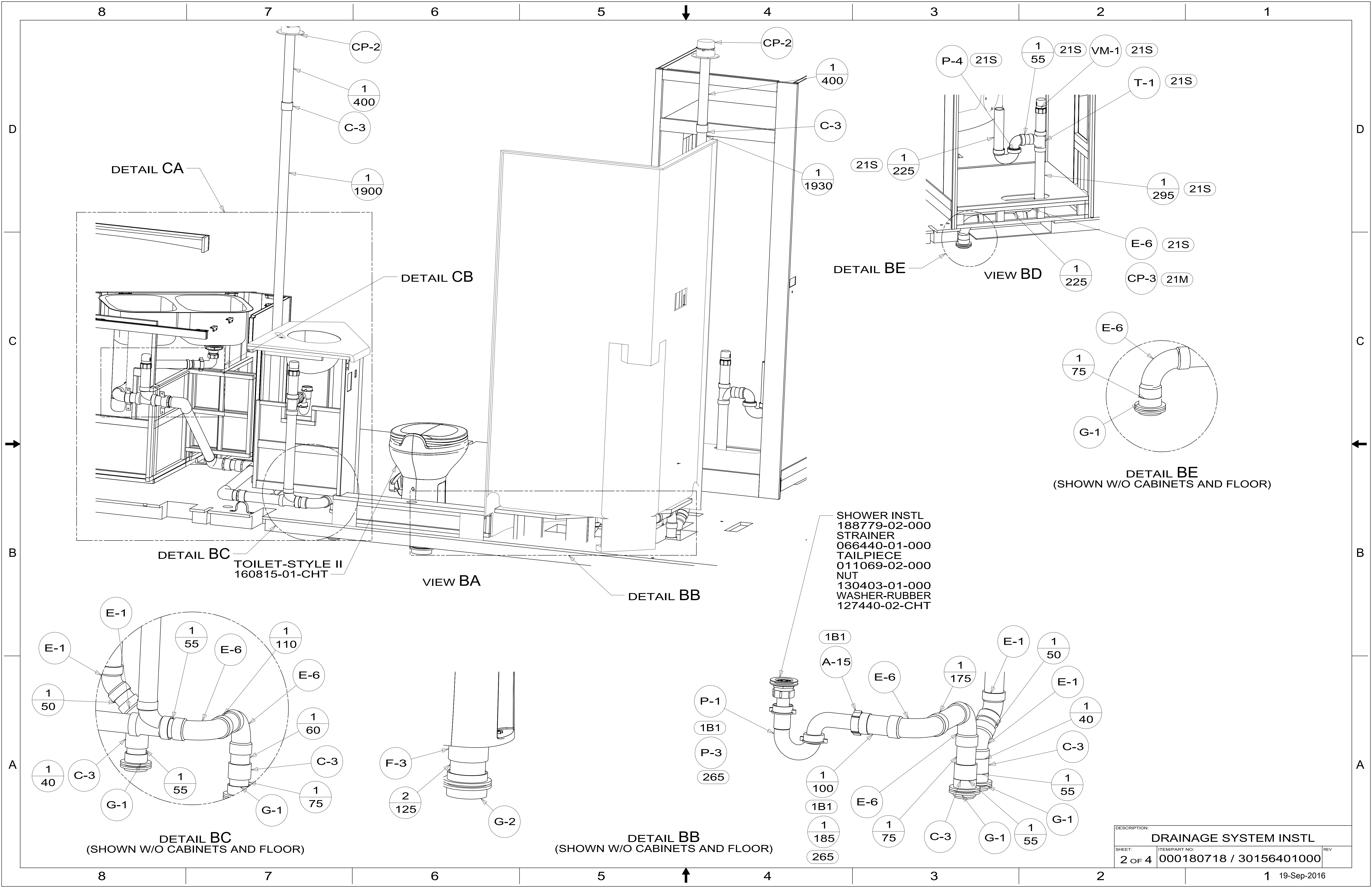
- 21S WASHER & DRYER-PAIR
- 21M WASHER/DRYER PREP
- 1B1 CODES/STANDARDS-USA
- 265 CODES/STANDARDS-CSA/CMVSS

9. SEE DRAWING 061607 FOR INSTALLATION OF GROMMETS.
8. SECURE DRAINAGE PIPES TO CABINET USING WIRE TIE 108046-02-000, AND SCREW 000G67-10-12U AT INTERVALS OF NOT OF NOT MORE THAN 4 FEET APART.
7. SECURE VENT PIPE TO FLOOR WITH CLAMP 062401-02-000 (2), SCREW 000G67-10-12U (2), BRACKET 136878-01-CHT (2).
6. VENT PIPE MUST PROJECT 51 MIN AND 64 MAX ABOVE ROOF FOR PROPER FIT AND FUNCTION. ADD S-1 (116666-01-CHT SEAL-VENT PIPE) AROUND PIPE ON ROOF BEFORE VENT CAP IS INSTALLED.
5. SEAL AROUND SHOWER WITH SILICONE.
4. USE SMOOTH PLUMBERS PUTTY 167459-01-000 TO SEAL STRAINER (0.2 PER STRAINER).
3. ALL PIPE AND FITTINGS TO BE ASSEMBLED WITH SOLVENT 004020-01-000 (USA), 004020-02-000 (CAN)
2. SLOPE OF TRAP ARM MUST BE 6 PER 305 mm.
1. SLOPE OF HORIZONTAL PIPING TO BE MINIMUM OF 3 PER 305 mm.

NOTES:

X-X
FOR DRAINAGE CALLOUTS SEE DWG NO. 116229-01-000

WINNEBAGO [®]		COPYRIGHT 2016 WINNEBAGO INDUSTRIES, INC.	
DSNR:		ALL DIMENSIONS ARE IN MILLIMETERS	
DIFTR:			
UNSPECIFIED TOLERANCES:		MATERIAL:	
WHOLE DIM (X)	3		
ONE-PLACE (X.X)	1.5		
TWO-PLACE (X.XX)	0.50		
ANGLE	1°		
REFER TO ES0018 FOR FASTENER TIGHTENING GUIDELINES		WEIGHT: (LBS)	FIRST USED: (REF)
DESCRIPTION: DRAINAGE SYSTEM INSTL			
SHEET:	ITEM/PART NO:	REV	
1 OF 4	000180718 / 30156401000		



DETAIL CA

DETAIL CB

DETAIL BE

VIEW BD

DETAIL BC

TOILET-STYLE II
160815-01-CHT

VIEW BA

DETAIL BB

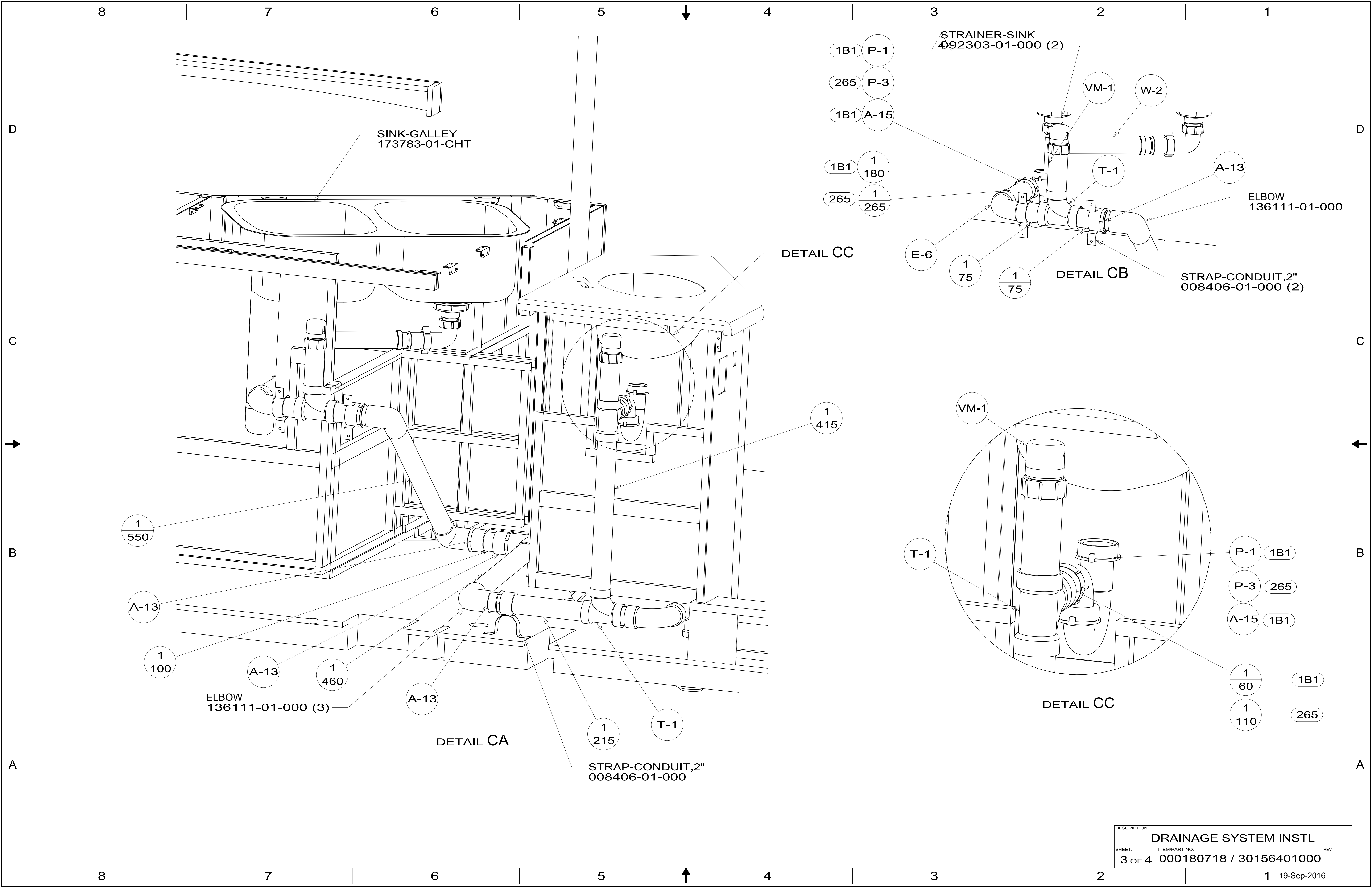
SHOWER INSTL
188779-02-000
STRAINER
066440-01-000
TAILPIECE
011069-02-000
NUT
130403-01-000
WASHER-RUBBER
127440-02-CHT

DETAIL BE
(SHOWN W/O CABINETS AND FLOOR)

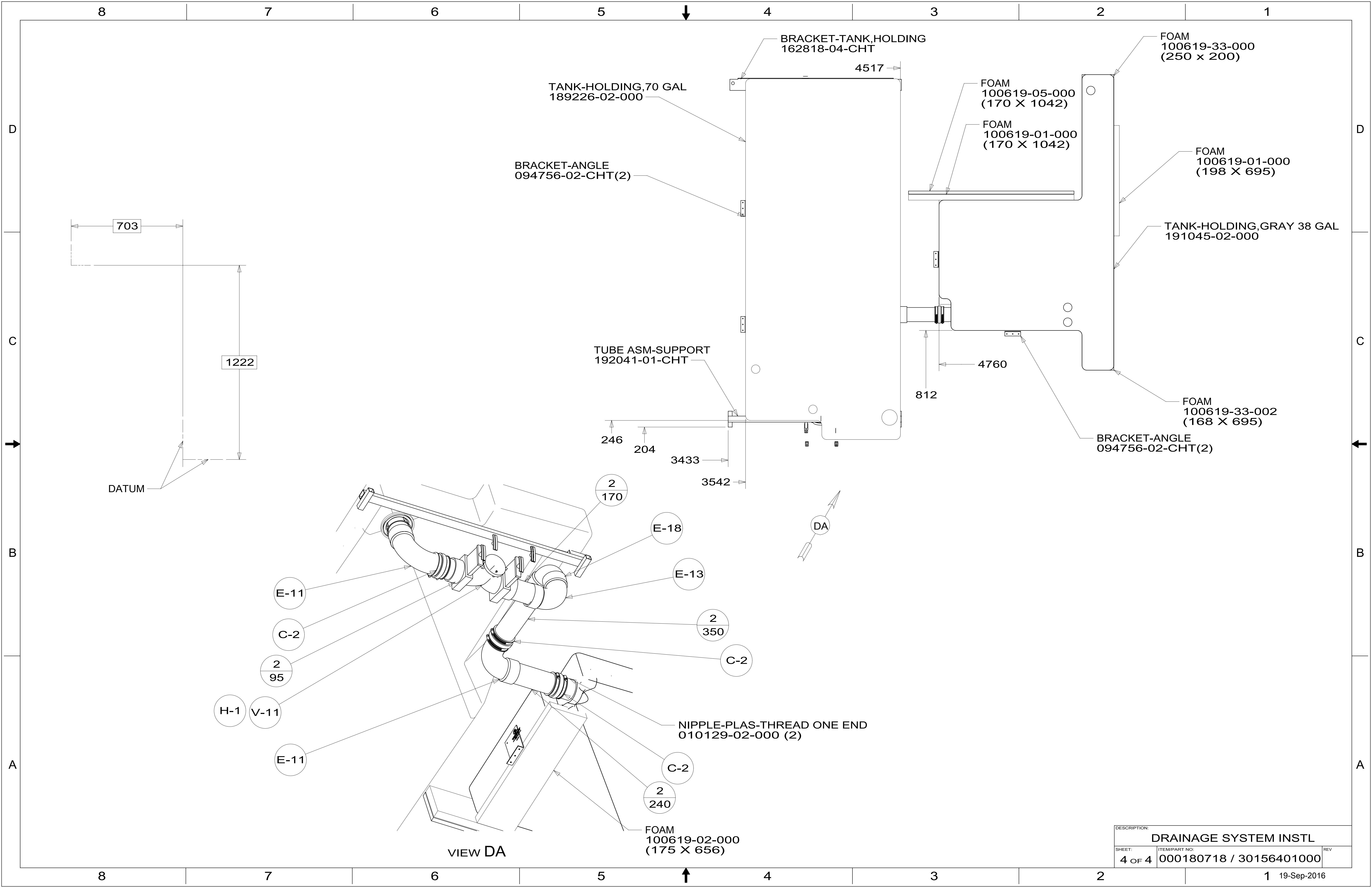
DETAIL BC
(SHOWN W/O CABINETS AND FLOOR)

DETAIL BB
(SHOWN W/O CABINETS AND FLOOR)

DESCRIPTION:		
DRAINAGE SYSTEM INSTL		
SHEET:	ITEM/PART NO.:	REV
2 OF 4	000180718 / 30156401000	



DESCRIPTION:		
DRAINAGE SYSTEM INSTL		
SHEET:	ITEM/PART NO.:	REV
3 OF 4	000180718 / 30156401000	



BRACKET-TANK,HOLDING
162818-04-CHT

TANK-HOLDING,70 GAL
189226-02-000

BRACKET-ANGLE
094756-02-CHT(2)

TUBE ASM-SUPPORT
192041-01-CHT

FOAM
100619-05-000
(170 X 1042)

FOAM
100619-01-000
(170 X 1042)

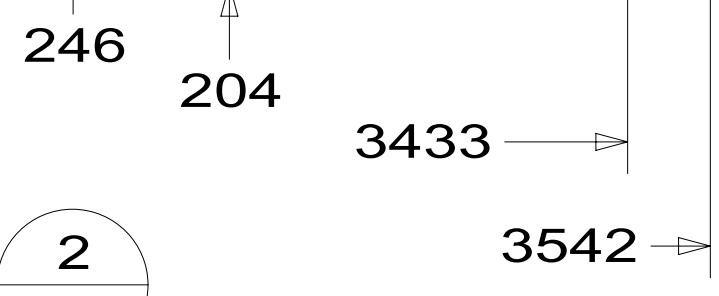
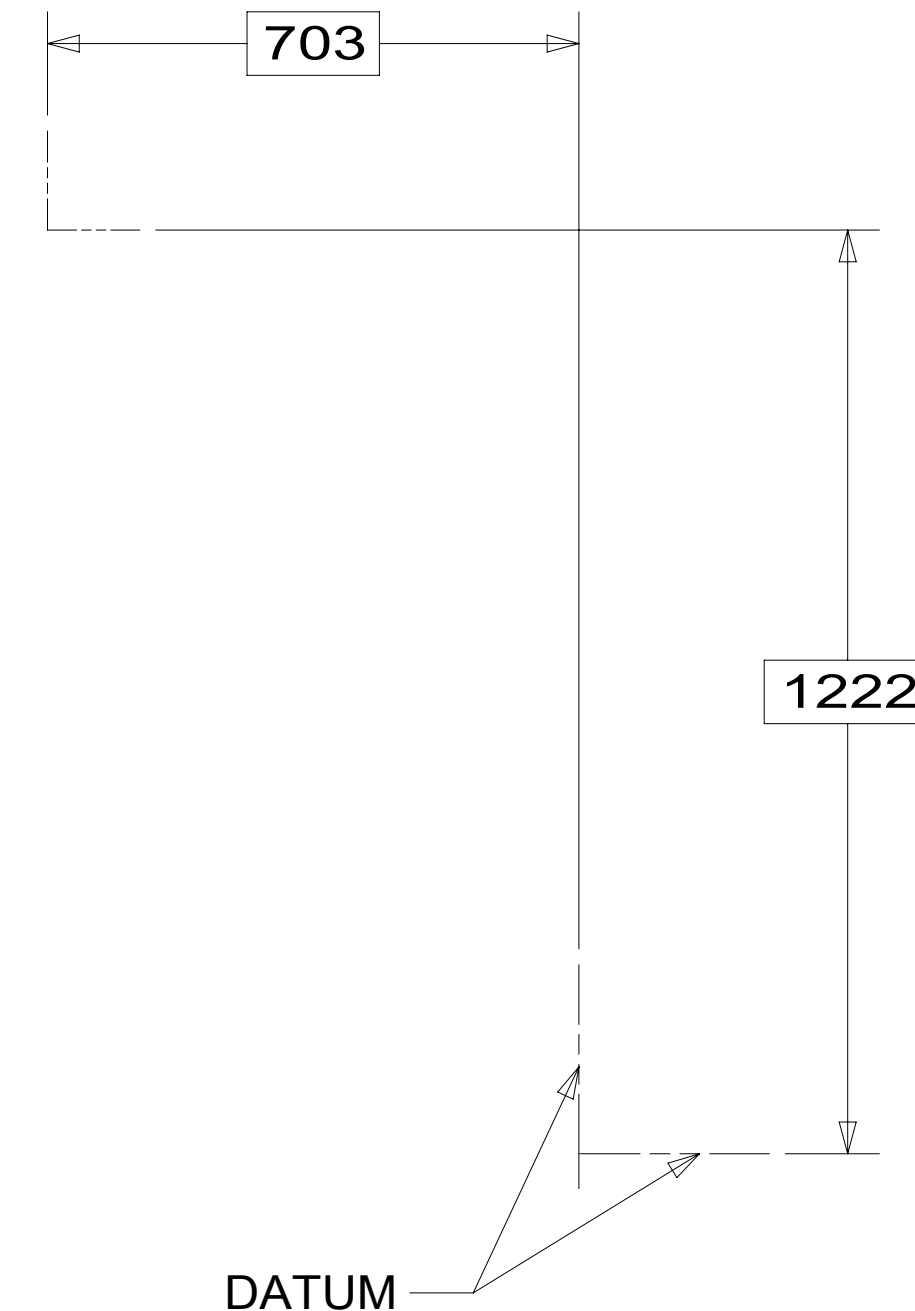
FOAM
100619-33-000
(250 X 200)

FOAM
100619-01-000
(198 X 695)

TANK-HOLDING,GRAY 38 GAL
191045-02-000

FOAM
100619-33-002
(168 X 695)

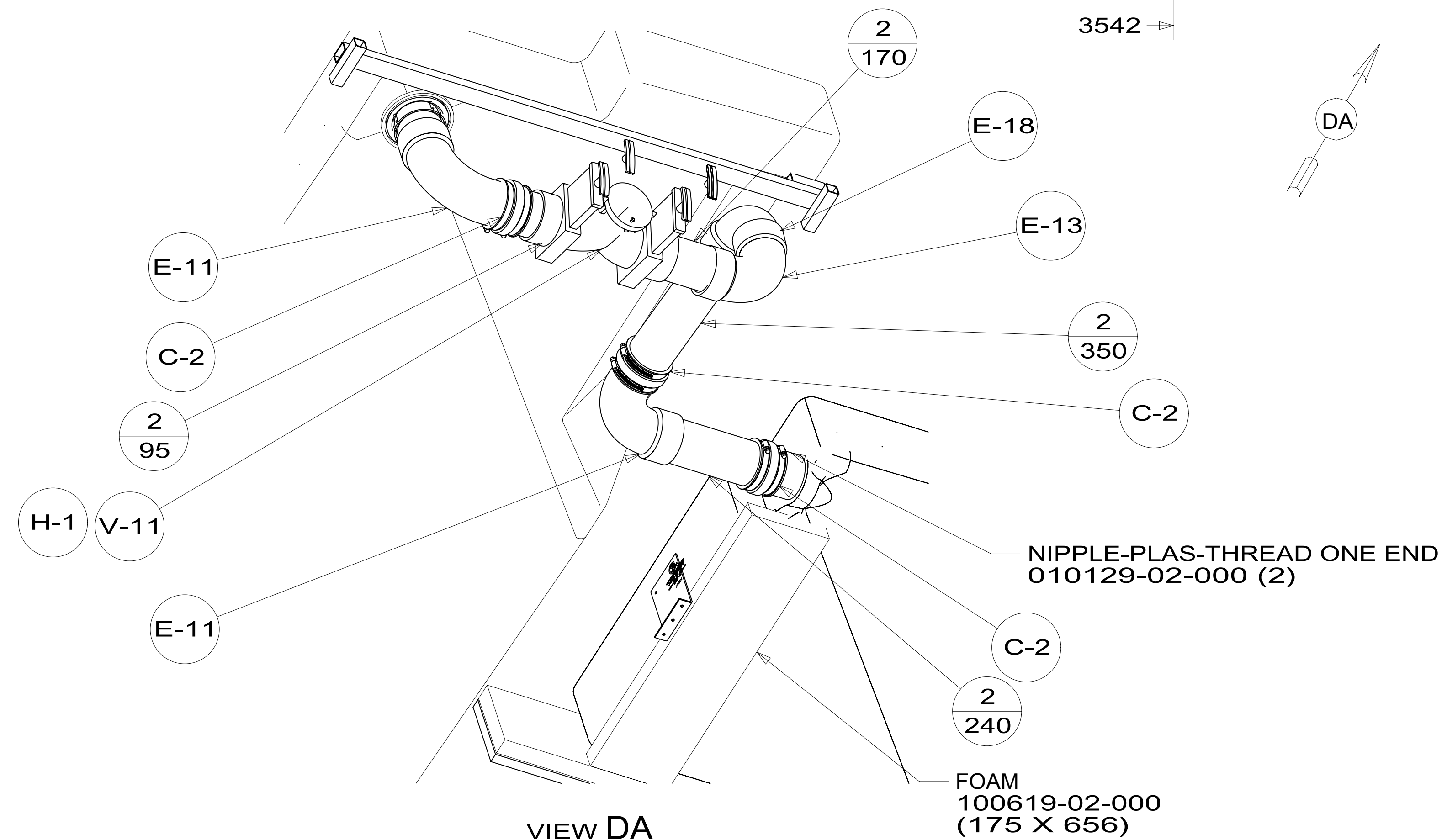
BRACKET-ANGLE
094756-02-CHT(2)



812

4760

DA



E-11

C-2

2
95

H-1

V-11

E-11

2
170

E-18

E-13

2
350

C-2

C-2

2
240

NIPPLE-PLAS-THREAD ONE END
010129-02-000 (2)

FOAM
100619-02-000
(175 X 656)

VIEW DA

DESCRIPTION: DRAINAGE SYSTEM INSTL		
SHEET: 4 OF 4	ITEM/PART NO: 000180718 / 30156401000	REV