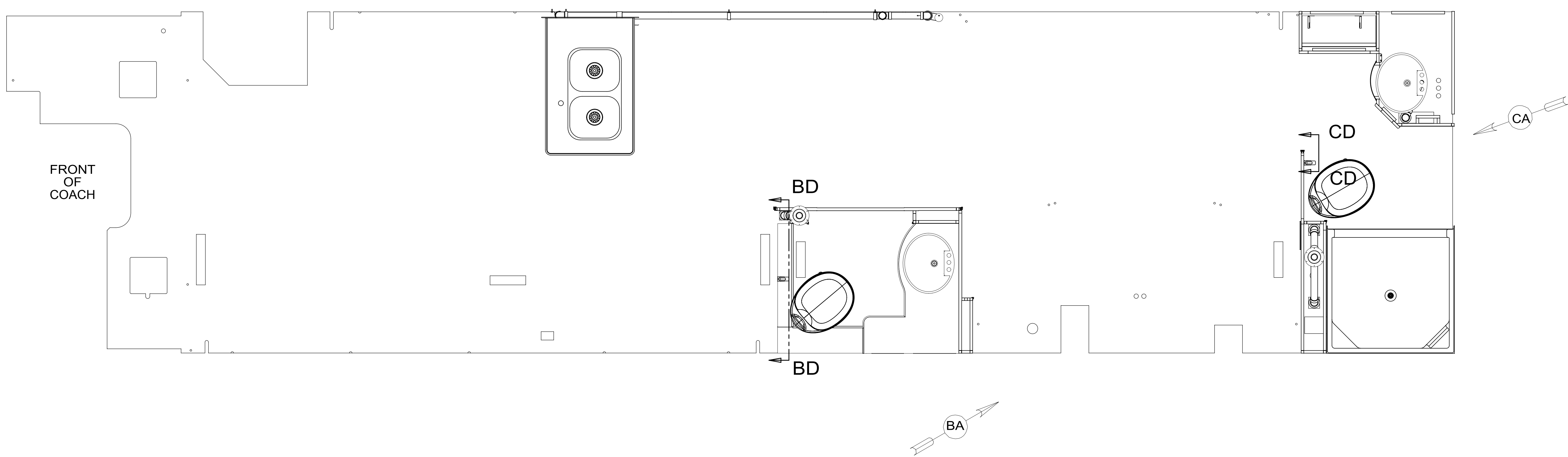


REV	ZONE	REVISION RECORD	DATE	DFTR-ORIG
A	---	INITIAL RELEASE	10/12/15	3650-1027
B	SHT3	1/1840 WAS 1/2230, ADDED C-3 AND 1/390	12/10/15	3650-1027
C	SHT3	1/1870 WAS 1/1840	02/03/16	3650-4634
D	S2S3	315733-01-CHT WAS 164615-01-CHT	10/14/16	9080-4634



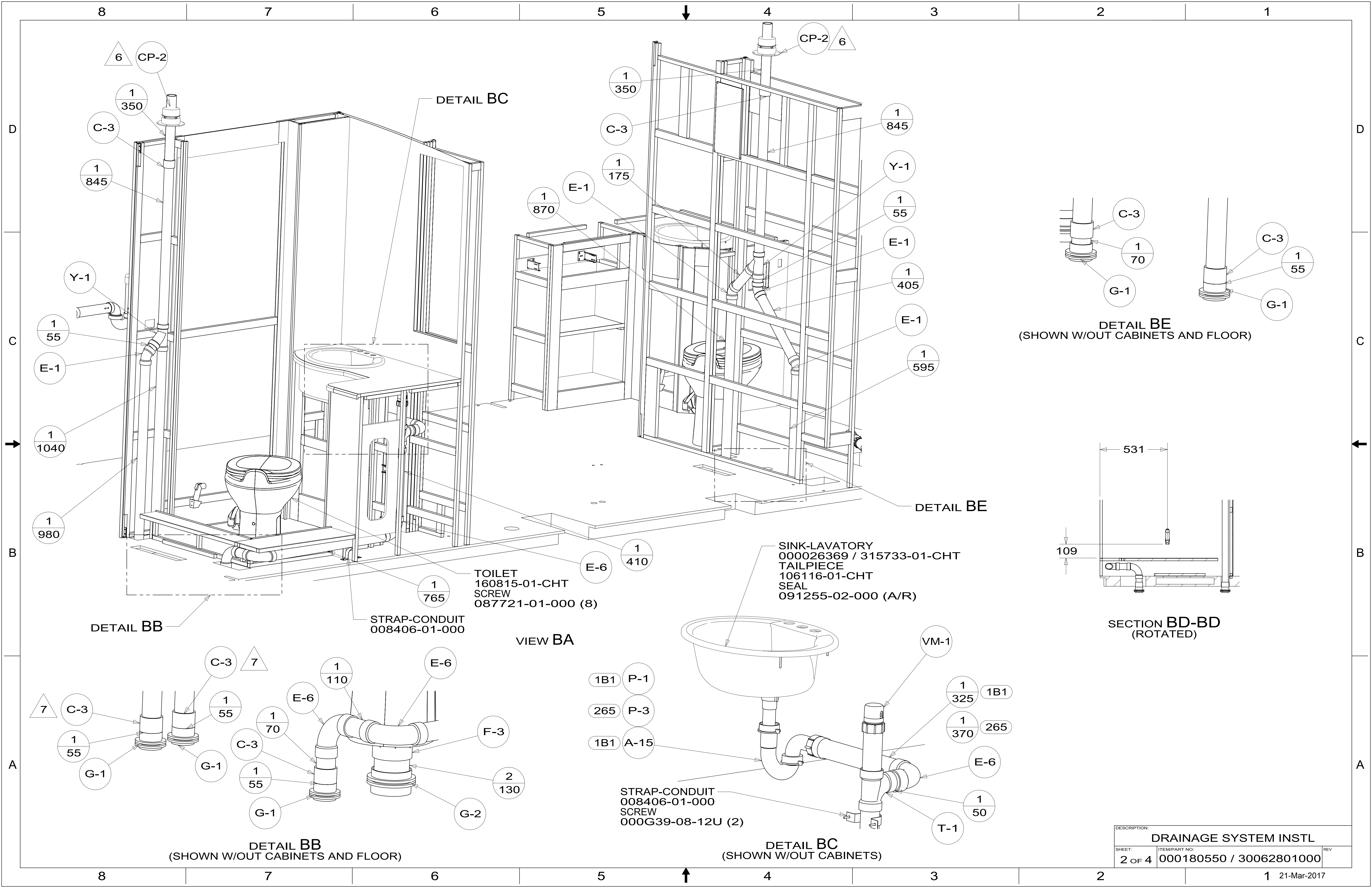
- NOTES:
9. PLACE PLYWOOD UNDER SHOWER AS REQUIRED.
  8. SECURE DRAINAGE PIPES TO CABINET USING WIRE TIE 108046-02-000, AND SCREW 000G67-10-12U AT INTERVALS OF NOT MORE THAN 4 FEET APART.
  7. SECURE VENT PIPE TO FLOOR WITH CLAMP 062401-02-000 (2), SCREW 000G67-10-12U (2), BRACKET 136878-01-CHT (2).
  6. VENT PIPE MUST PROJECT 51 MIN AND 64 MAX ABOVE ROOF FOR PROPER FIT AND FUNCTION. ADD S-1 (116666-01-CHT SEAL-VENT CAP) AROUND PIPE ON ROOF BEFORE VENT CAP IS INSTALLED.
  5. SEAL AROUND SHOWER WITH SILICONE.
  4. GLUE FITTING AFTER CABINET IS INSTALLED.
  3. ALL PIPE AND FITTINGS TO BE ASSEMBLED WITH SOLVENT 004020-01-000 (USA), 004020-02-000 (CAN)
  2. SLOPE OF TRAP ARM MUST BE 6 PER 305 mm.
  1. SLOPE OF HORIZONTAL PIPING TO BE MINIMUM OF 3 PER 305 mm.

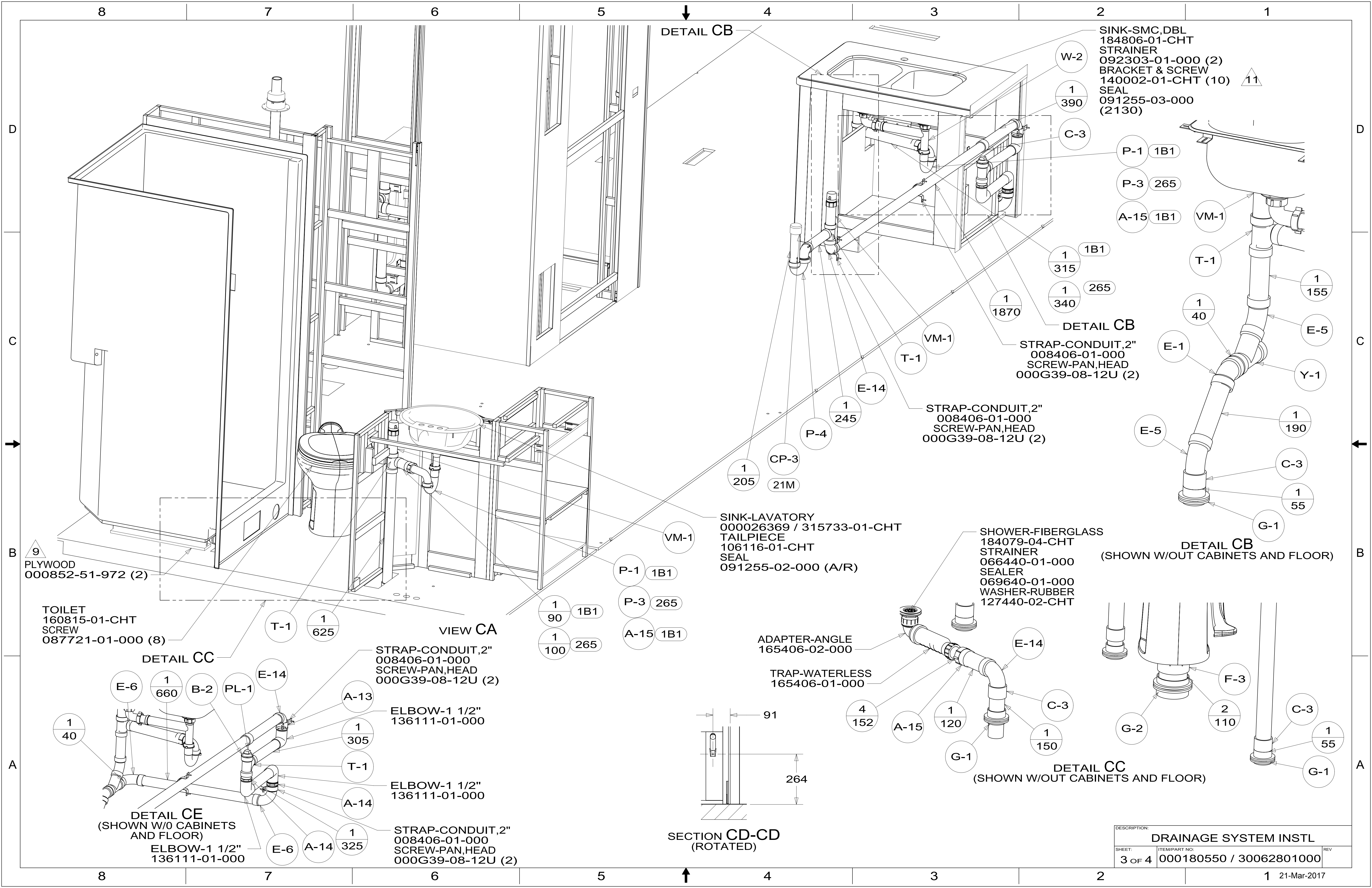
- 21M WASHER/DRYER PREP
- 1B1 CODES/STANDARDS USA
- 265 CODES/STANDARDS-CSA/CMVSS



DSNR:		ALL DIMENSIONS ARE IN MILLIMETERS	
DFTR:		MATERIAL:	
UNSPECIFIED TOLERANCES:			
WHOLE DIM (X)	3		
ONE-PLACE (X.X)	1.5		
TWO-PLACE (X.XX)	0.50		
ANGLE	1°		
REFER TO ES0018 FOR FASTENER TIGHTENING GUIDELINES		WEIGHT: (LBS)	FIRST USED: (REF)
DESCRIPTION: <b>DRAINAGE SYSTEM INSTL</b>			
SHEET:	ITEM/PART NO.:	REV	
1 OF 4	000180550 / 30062801000		

X-X  
FOR DRAINAGE CALLOUTS SEE DWG NO. 116229-01-000





SINK-SMC, DBL  
184806-01-CHT  
STRAINER  
092303-01-000 (2)  
BRACKET & SCREW  
140002-01-CHT (10) <sup>11</sup>  
SEAL  
091255-03-000  
(2130)

W-2  
1 390  
C-3  
P-1 1B1  
P-3 265  
A-15 1B1  
VM-1  
T-1  
1 155  
E-5  
Y-1  
1 40  
E-1  
1 190  
C-3  
1 55  
G-1

DETAIL CB  
(SHOWN W/OUT CABINETS AND FLOOR)

F-3  
2 110  
C-3  
1 55  
G-1

DESCRIPTION: <b>DRAINAGE SYSTEM INSTL</b>		
SHEET: 3 OF 4	ITEM/PART NO: 000180550 / 30062801000	REV
		21-Mar-2017

DETAIL CB  
STRAP-CONDUIT, 2"  
008406-01-000  
SCREW-PAN, HEAD  
000G39-08-12U (2)

STRAP-CONDUIT, 2"  
008406-01-000  
SCREW-PAN, HEAD  
000G39-08-12U (2)

SINK-LAVATORY  
00026369 / 315733-01-CHT  
TAILPIECE  
106116-01-CHT  
SEAL  
091255-02-000 (A/R)

SHOWER-FIBERGLASS  
184079-04-CHT  
STRAINER  
066440-01-000  
SEALER  
069640-01-000  
WASHER-RUBBER  
127440-02-CHT

ADAPTER-ANGLE  
165406-02-000

TRAP-WATERLESS  
165406-01-000

SECTION CD-CD  
(ROTATED)

TOILET  
160815-01-CHT  
SCREW  
087721-01-000 (8)

DETAIL CC

E-6  
1 660  
B-2  
PL-1  
E-14  
1 40  
A-13  
1 305  
T-1  
A-14  
1 325  
E-6  
A-14

STRAP-CONDUIT, 2"  
008406-01-000  
SCREW-PAN, HEAD  
000G39-08-12U (2)

ELBOW-1 1/2"  
136111-01-000

ELBOW-1 1/2"  
136111-01-000

STRAP-CONDUIT, 2"  
008406-01-000  
SCREW-PAN, HEAD  
000G39-08-12U (2)

VIEW CA

1 90 1B1  
1 100 265

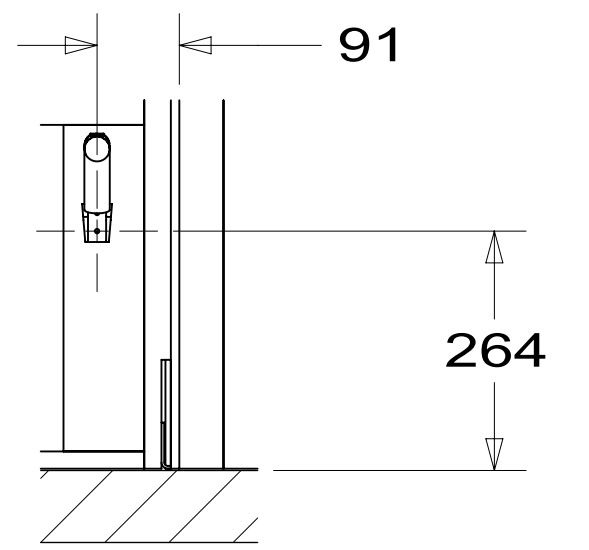
P-1 1B1  
P-3 265  
A-15 1B1

1 205  
CP-3 21M

VM-1  
SINK-LAVATORY  
00026369 / 315733-01-CHT  
TAILPIECE  
106116-01-CHT  
SEAL  
091255-02-000 (A/R)

ADAPTER-ANGLE  
165406-02-000

TRAP-WATERLESS  
165406-01-000



SECTION CD-CD  
(ROTATED)

PLYWOOD  
000852-51-972 (2)

TOILET  
160815-01-CHT  
SCREW  
087721-01-000 (8)

DETAIL CC

E-6  
1 660  
B-2  
PL-1  
E-14  
1 40  
A-13  
1 305  
T-1  
A-14  
1 325  
E-6  
A-14

STRAP-CONDUIT, 2"  
008406-01-000  
SCREW-PAN, HEAD  
000G39-08-12U (2)

ELBOW-1 1/2"  
136111-01-000

ELBOW-1 1/2"  
136111-01-000

STRAP-CONDUIT, 2"  
008406-01-000  
SCREW-PAN, HEAD  
000G39-08-12U (2)

VIEW CA

1 90 1B1  
1 100 265

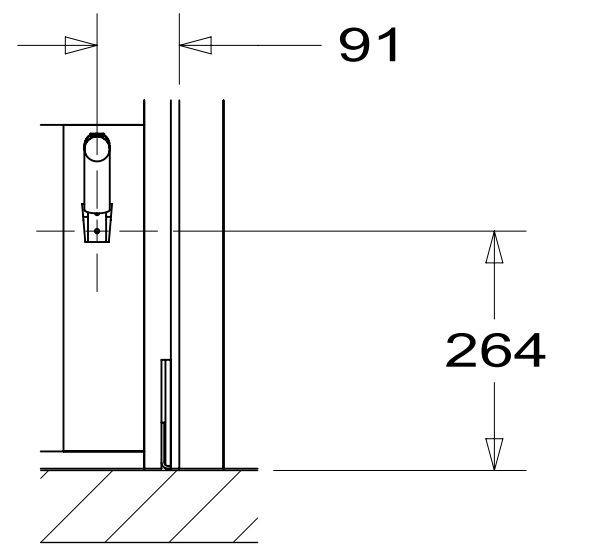
P-1 1B1  
P-3 265  
A-15 1B1

1 205  
CP-3 21M

VM-1  
SINK-LAVATORY  
00026369 / 315733-01-CHT  
TAILPIECE  
106116-01-CHT  
SEAL  
091255-02-000 (A/R)

ADAPTER-ANGLE  
165406-02-000

TRAP-WATERLESS  
165406-01-000



SECTION CD-CD  
(ROTATED)

PLYWOOD  
000852-51-972 (2)

TOILET  
160815-01-CHT  
SCREW  
087721-01-000 (8)

DETAIL CC

E-6  
1 660  
B-2  
PL-1  
E-14  
1 40  
A-13  
1 305  
T-1  
A-14  
1 325  
E-6  
A-14

STRAP-CONDUIT, 2"  
008406-01-000  
SCREW-PAN, HEAD  
000G39-08-12U (2)

ELBOW-1 1/2"  
136111-01-000

ELBOW-1 1/2"  
136111-01-000

STRAP-CONDUIT, 2"  
008406-01-000  
SCREW-PAN, HEAD  
000G39-08-12U (2)

VIEW CA

1 90 1B1  
1 100 265

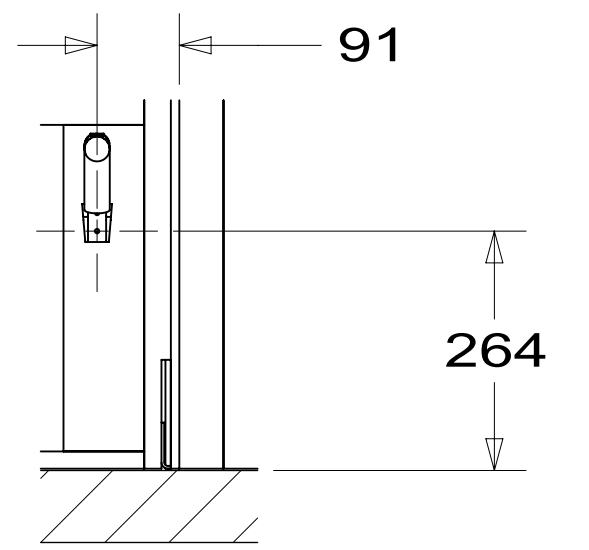
P-1 1B1  
P-3 265  
A-15 1B1

1 205  
CP-3 21M

VM-1  
SINK-LAVATORY  
00026369 / 315733-01-CHT  
TAILPIECE  
106116-01-CHT  
SEAL  
091255-02-000 (A/R)

ADAPTER-ANGLE  
165406-02-000

TRAP-WATERLESS  
165406-01-000



SECTION CD-CD  
(ROTATED)

PLYWOOD  
000852-51-972 (2)

TOILET  
160815-01-CHT  
SCREW  
087721-01-000 (8)

DETAIL CC

E-6  
1 660  
B-2  
PL-1  
E-14  
1 40  
A-13  
1 305  
T-1  
A-14  
1 325  
E-6  
A-14

STRAP-CONDUIT, 2"  
008406-01-000  
SCREW-PAN, HEAD  
000G39-08-12U (2)

ELBOW-1 1/2"  
136111-01-000

ELBOW-1 1/2"  
136111-01-000

STRAP-CONDUIT, 2"  
008406-01-000  
SCREW-PAN, HEAD  
000G39-08-12U (2)

VIEW CA

1 90 1B1  
1 100 265

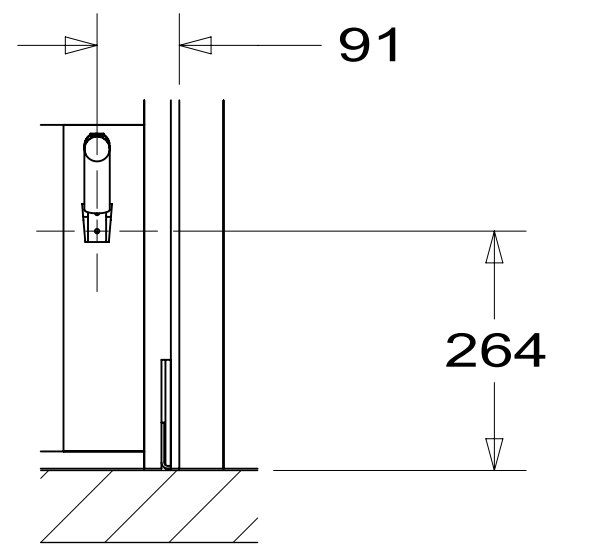
P-1 1B1  
P-3 265  
A-15 1B1

1 205  
CP-3 21M

VM-1  
SINK-LAVATORY  
00026369 / 315733-01-CHT  
TAILPIECE  
106116-01-CHT  
SEAL  
091255-02-000 (A/R)

ADAPTER-ANGLE  
165406-02-000

TRAP-WATERLESS  
165406-01-000



SECTION CD-CD  
(ROTATED)

