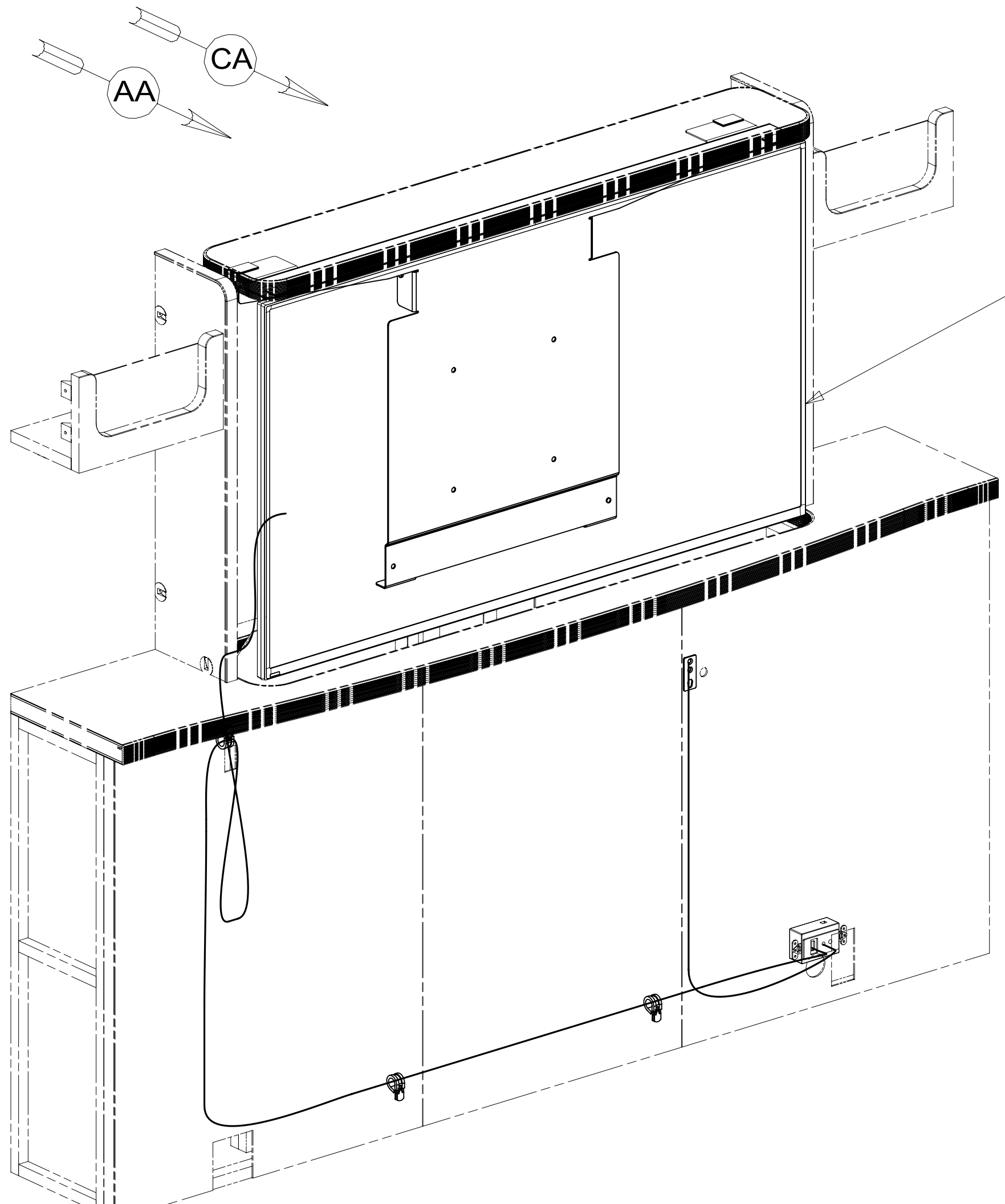


8 7 6 5 4 3 2 1



TV-48" FLAT  
PANEL DLED.HDTV  
194365-01-000

CONVERTER-HDMI/CAT6 W/IR  
(IR RECEIVER)  
190382-01-000  
TAPE-FOAM, DBL COATED  
76322-21-000 (50 MM)  
PLATE-RECEIVER, IR  
177834-02-CHT  
SCREW  
G13-08-10U (2)

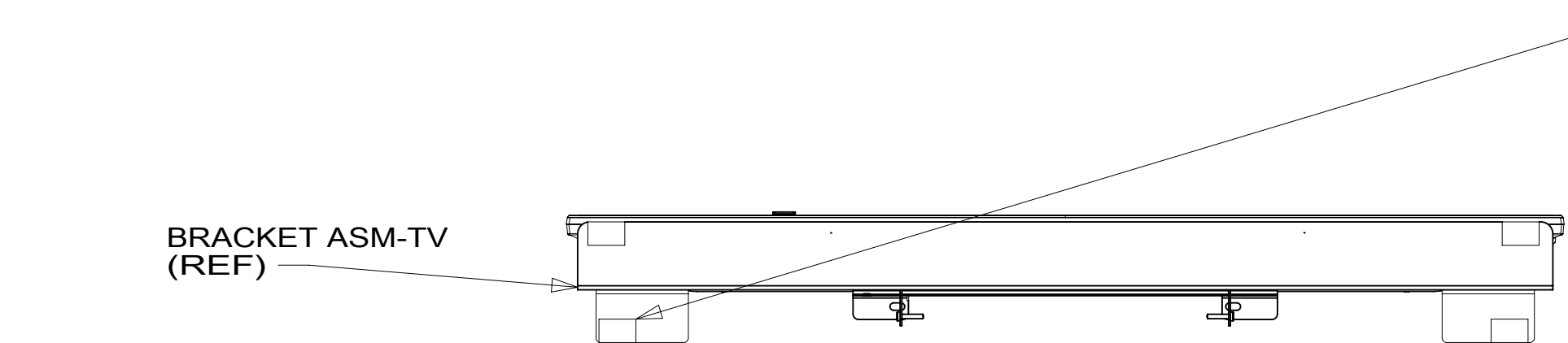
CONVERTER-HDMI/CAT6 W/IR  
(RECEIVER) (REF)  
FASTNER-DUAL LOCK  
85774-01-000 (50 MM) (2)  
85774-02-000 (50 MM) (2)

BRACKET ASM-TV  
302645-01-CHT  
SCREW-VESA MOUNT  
(SUPPLIED WITH TV)

CABLE-HDMI  
CABLE ASM-COAX  
(REF)

CLAMP  
10497-02-000 (3)  
SCREW  
G11-08-16U (3)

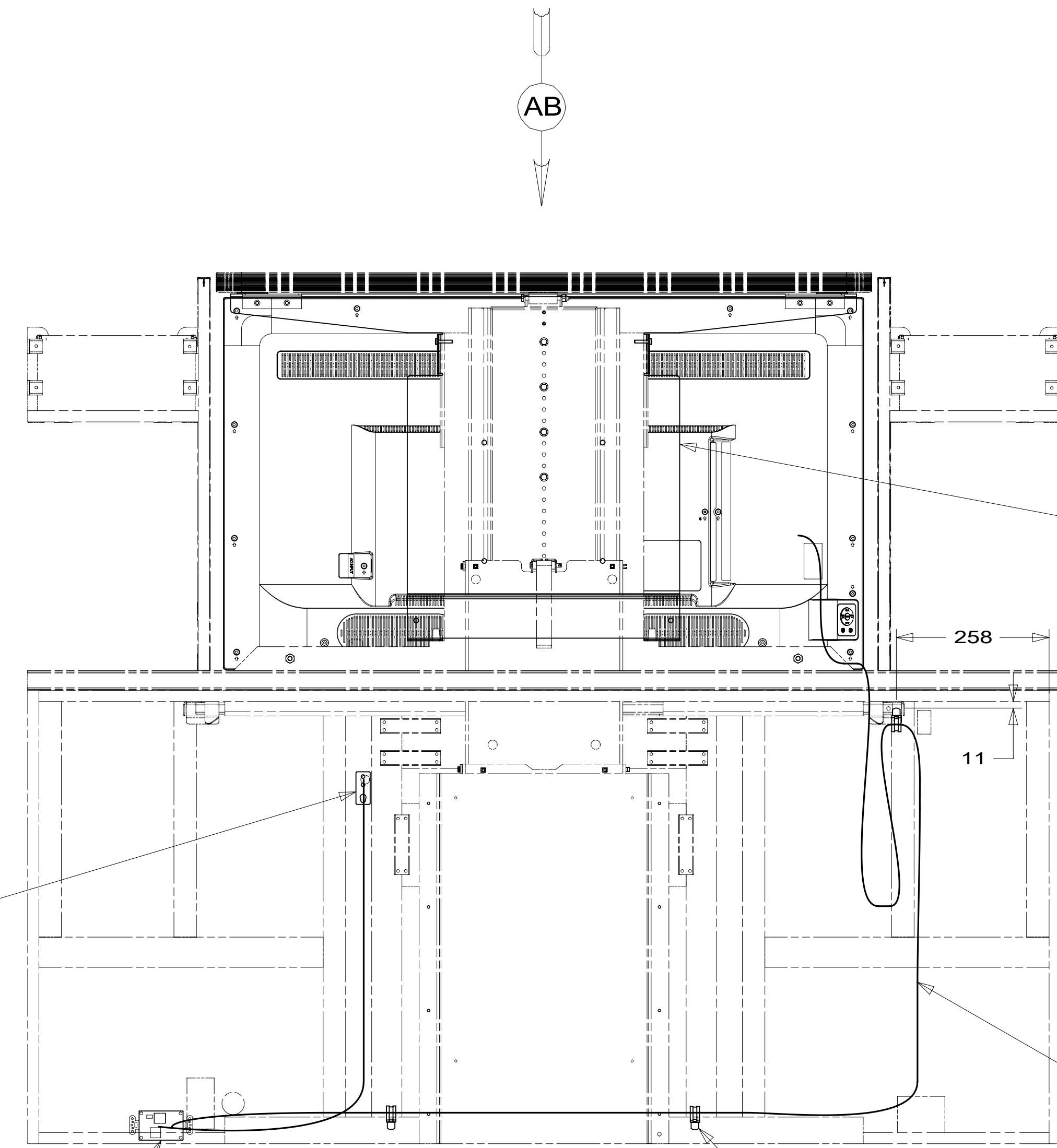
VIEW AA



TAPE-LOOP, 1.0 WIDE  
029094-07-000  
(40 MM)  
TAPE-HOOK, 1.0 WIDE  
029096-04-000  
(40 MM)  
(USED TO ATTACH COUNTERTOP  
TO BRACKET ASM-TV)

BRACKET ASM-TV  
(REF)

VIEW AB



AB

265 CODES/STANDARDS-CSA/CMVSS  
1B1 CODES/STANDARDS USA

1B1 265



DSNR:		ALL DIMENSIONS ARE IN MILLIMETERS	
DFFR:		MATERIAL:	
UNSPECIFIED TOLERANCES:			
WHOLE DIM (X)	± 3		
ONE-PLACE (X.X)	± 1.5		
TWO-PLACE (X.XX)	± 0.50		
ANGLE	± 1°		
REFER TO ES0018 FOR FASTENER TIGHTENING GUIDELINES		WEIGHT: (LBS)	FIRST USED:
DESCRIPTION: <b>WIRING INSTL-TV/DVD</b>			
SHEET:	ITEM/PART NO.:	REV:	
1 OF 3	000180324 / 30112801000		

FOR ELECTRICAL TORQUE SPECIFICATIONS SEE DWG NO. 128783-01-000

FOR ELECTRICAL CALLOUTS SEE DWG NO. 121339-01-000

8 7 6 5 4 3 2 1

8 7 6 5 4 3 2 1

D

D

C

C

B

B

A

A

TV-32", FLAT  
PANEL DLED  
194849-01-000  
SCREW  
OMG02U-06-020 (4)  
WASHER  
00E13-23-00U (8)  
(VESA MOUNT)

CABLE-USB  
300593-01-000

CABLE-HDMI  
165308-03-000

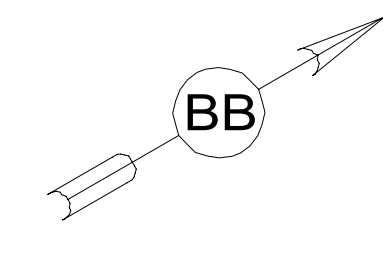


PLATE-MOUNTING,TV  
195035-01-CHT  
195044-01-CHT (2)  
SCREW  
G11-10-16U (9)  
CLIP-TRIM  
130034-04-CHT

PLATE-WALL,KEYSTONE  
175530-04-CHT

BRACKET-COUPLER,  
HDMI/USB  
194568-01-CHT  
SCREW  
G11-08-08U (2)

COUPLER-HDMI/USB F-F  
194170-01-000

DVD PLAYER  
186774-01-000  
FASTENER-DUAL LOCK  
85774-01-000 (200 MM)  
85774-02-000 (200 MM)

25F

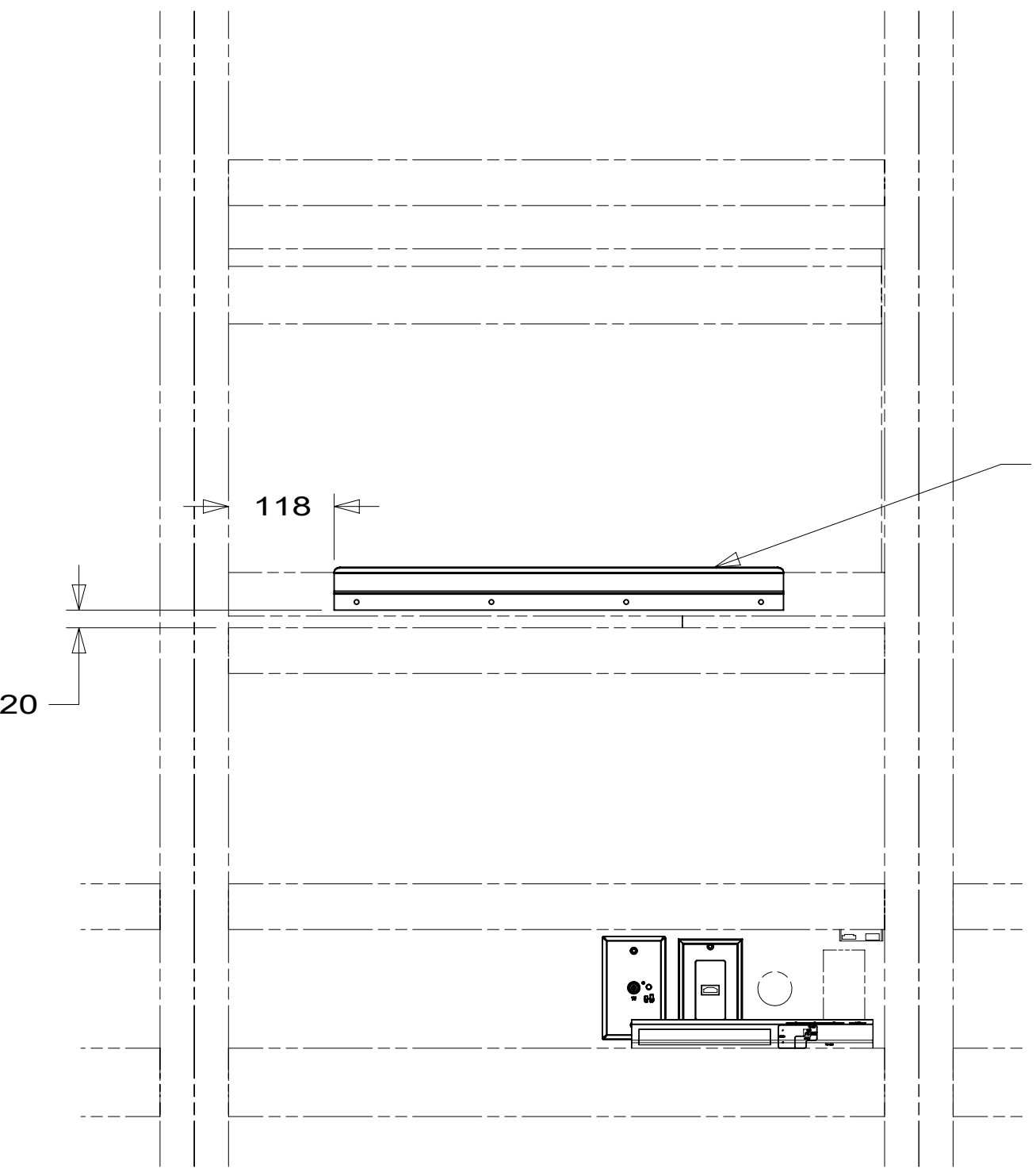
CONVERTER-HDMI/CAT6 W/IR  
(IR TRANSMITTER) (REF)  
TAPE-FOAM, DBL COATED  
76322-21-000 (50 MM)

PLATE-WALL,  
POWER SUPPLY  
179004-02-CHT

SPLITTER-TV,3-WAY  
086756-02-000

SPLITTER-HDMI,1X2  
178632-01-000

CONVERTER-HDMI/CAT6 W/IR  
(TRANSMITTER) (REF)  
FASTENER-DUAL LOCK  
85774-01-000 (50 MM) (2)  
85774-02-000 (50 MM) (2)



VIEW BB

1 MOUNT BRACKET SO THAT COUPLER WILL BE AS FAR INBOARD AS POSSIBLE.

NOTES:

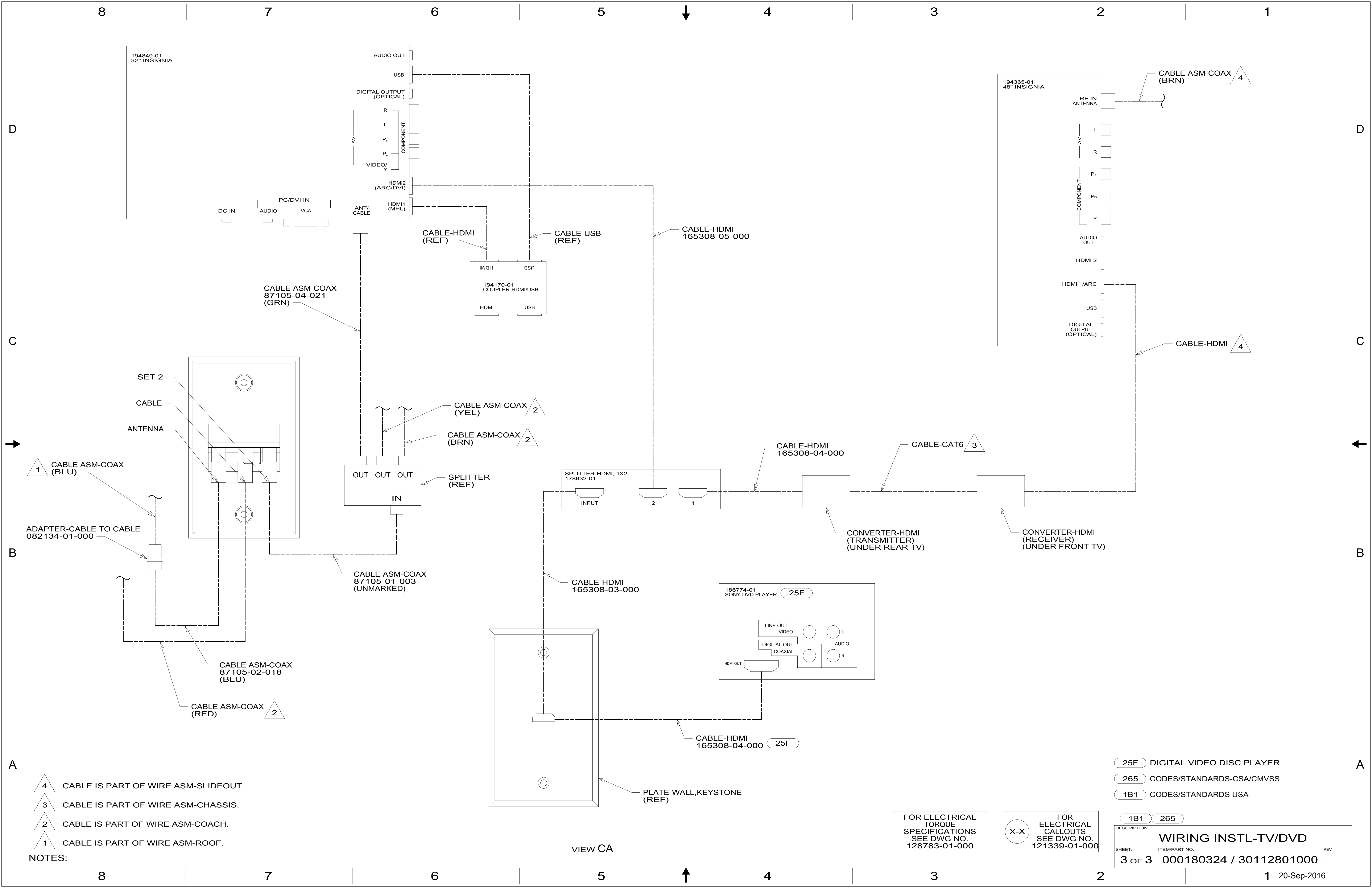
FOR ELECTRICAL  
TORQUE  
SPECIFICATIONS  
SEE DWG NO.  
128783-01-000

FOR  
ELECTRICAL  
CALLOUTS  
SEE DWG NO.  
121339-01-000

- 25F DIGITAL VIDEO DISC PLAYER
- 265 CODES/STANDARDS-CSA/CMVSS
- 1B1 CODES/STANDARDS USA

DESCRIPTION:		1B1 265	
<b>WIRING INSTL-TV/DVD</b>			
SHEET:	ITEM/PART NO.:	REV	
2 OF 3	000180324 / 30112801000		

8 7 6 5 4 3 2 1 20-Sep-2016



- NOTES:
- 4 CABLE IS PART OF WIRE ASM-SLIDEOUT.
  - 3 CABLE IS PART OF WIRE ASM-CHASSIS.
  - 2 CABLE IS PART OF WIRE ASM-COACH.
  - 1 CABLE IS PART OF WIRE ASM-ROOF.

- 25F DIGITAL VIDEO DISC PLAYER
- 265 CODES/STANDARDS-CSA/CMVSS
- 1B1 CODES/STANDARDS USA

FOR ELECTRICAL TORQUE SPECIFICATIONS SEE DWG NO. 128783-01-000

FOR ELECTRICAL CALLOUTS SEE DWG NO. 121339-01-000

DESCRIPTION:		1B1 265	
<b>WIRING INSTL-TV/DVD</b>			
SHEET:	ITEM/PART NO.:	REV	
3 OF 3	000180324 / 30112801000		

VIEW CA