

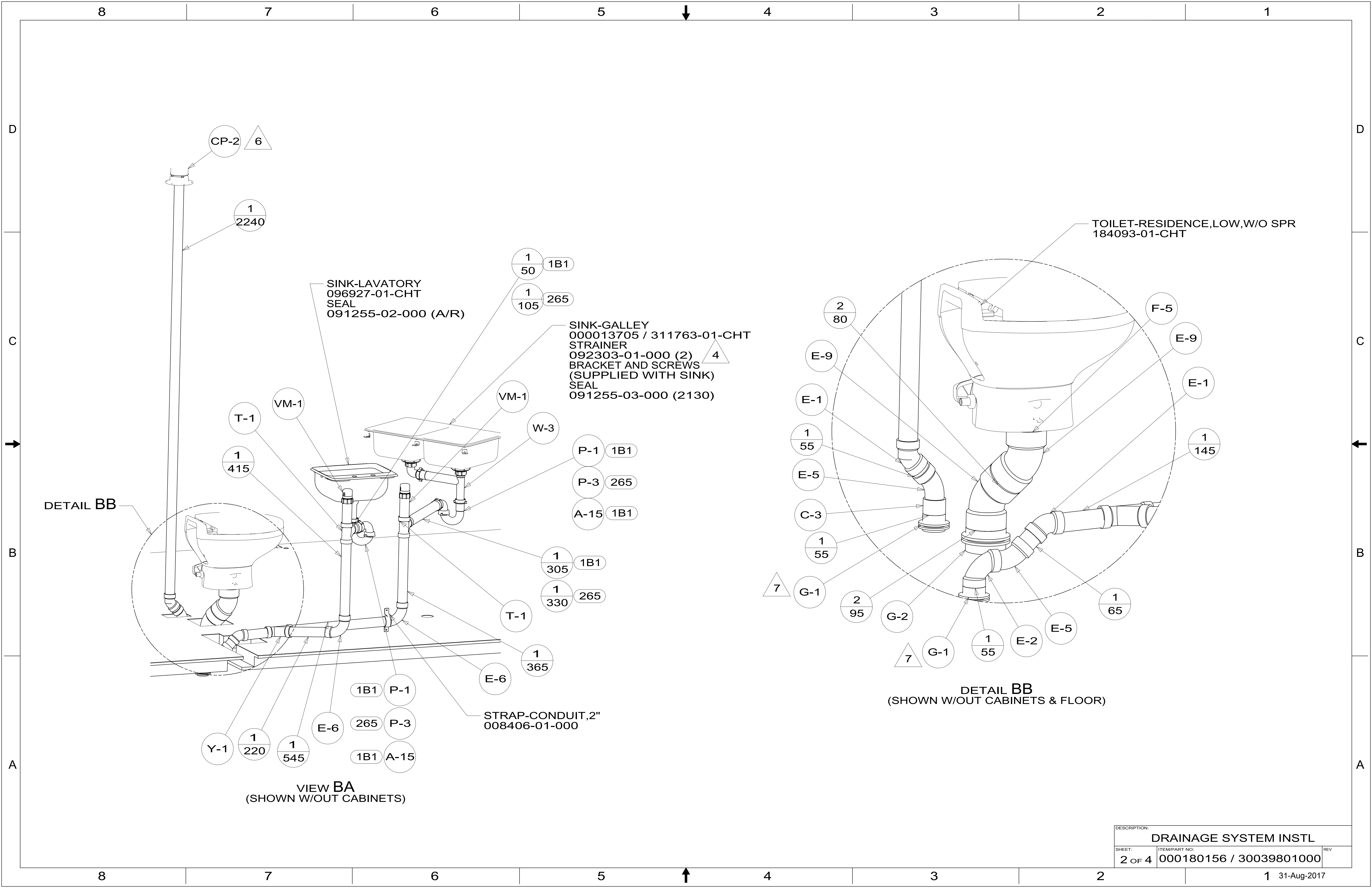
- 10. VALVE TERMINATION TEE TO BE POSITIONED AT 10° DOWN AND OUTBOARD.
- 9. SEE DRAWING 061607 FOR INSTALLATION OF GROMMETS.
- 8. SECURE DRAINAGE PIPES TO CABINET USING WIRE TIE 108046-02-000, AND SCREW 000G67-10-12U AT INTERVALS OF NOT OF NOT MORE THAN 4 FEET APART.
- 7. SECURE VENT PIPE TO TANK WITH CLAMP 062401-02-000.
- 6. VENT PIPE MUST PROJECT 51 MIN AND 64 MAX ABOVE ROOF FOR PROPER FIT AND FUNCTION. ADD S-1 (116666-01-CHT SEAL-VENT PIPE) AROUND PIPE ON ROOF BEFORE VENT CAP IS INSTALLED.
- 5. SEAL AROUND SHOWER WITH SILICONE.
- 4. USE SMOOTH PLUMBERS PUTTY 167459-01-000 TO SEAL STRAINER (0.2 PER STRAINER).
- 3. ALL PIPE AND FITTINGS TO BE ASSEMBLED WITH SOLVENT 004020-01-000 (USA), 004020-02-000 (CAN)
- 2. SLOPE OF TRAP ARM MUST BE 6 PER 305 mm.
- 1. SLOPE OF HORIZONTAL PIPING TO BE MINIMUM OF 3 PER 305 mm.

1B1 CODES/STANDARDS USA
 265 CODES/STANDARDS-CSA/CMVSS

WINNEBAGO COPYRIGHT 2017 WINNEBAGO INDUSTRIES, INC.			
DSNR:		ALL DIMENSIONS ARE IN MILLIMETERS	
DIFTR:			
UNSPECIFIED TOLERANCES:		MATERIAL:	
WHOLE DIM (X)	3		
ONE-PLACE (X.X)	1.5		
TWO-PLACE (X.XX)	0.50		
ANGLE	1°		
REFER TO ES0018 FOR FASTENER TIGHTENING GUIDELINES		WEIGHT: (LBS)	FIRST USED: (REF)
DESCRIPTION: DRAINAGE SYSTEM INSTL			
SHEET:	ITEM/PART NO:	REV	
1 OF 4	000180156 / 30039801000		
REF:		1 31-Aug-2017	

X-X
 FOR DRAINAGE CALLOUTS
 SEE DWG NO 116229-01-000

NOTES:



VIEW BA
(SHOWN W/OUT CABINETS)

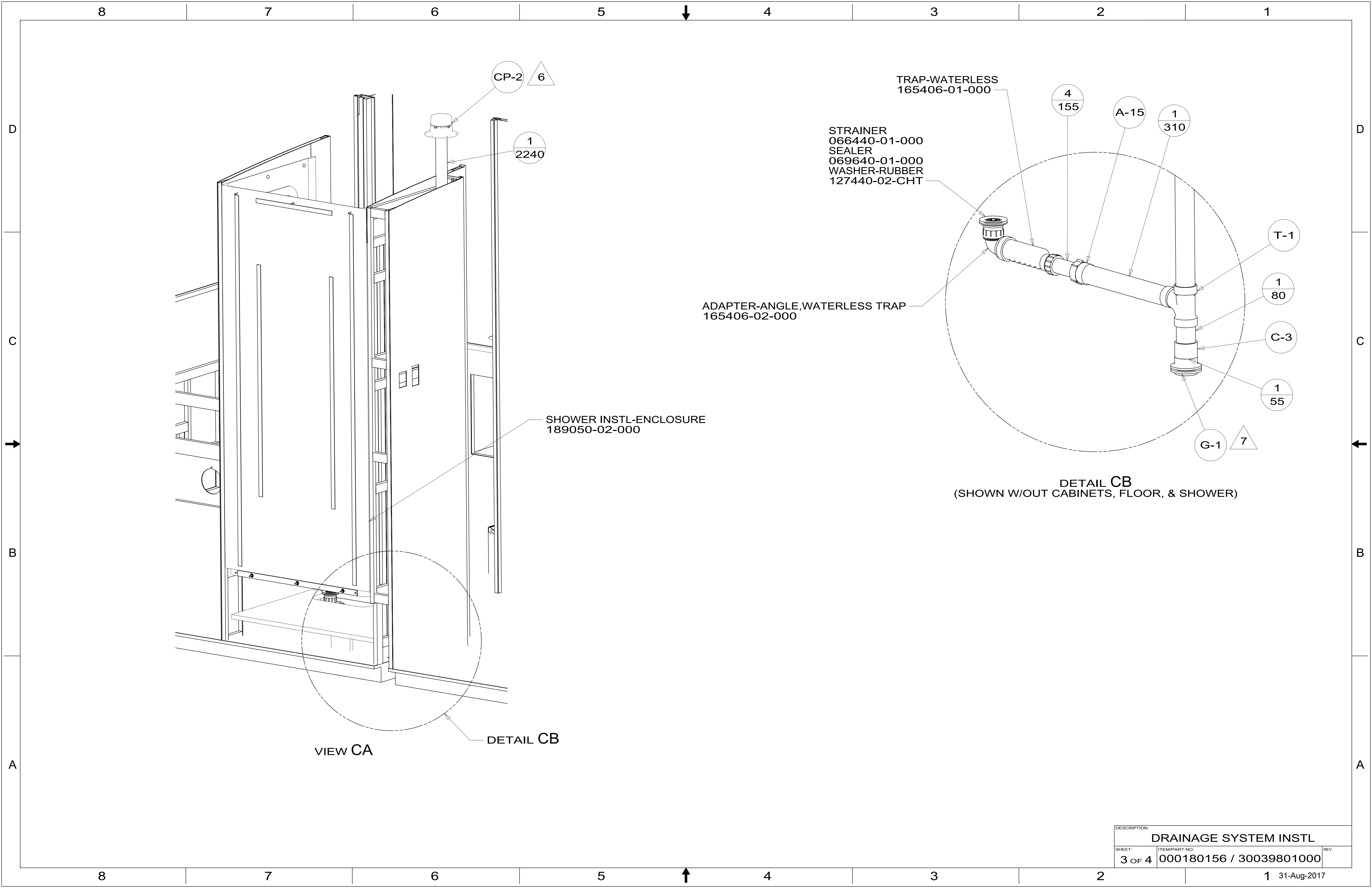
SINK-LAVATORY
096927-01-CHT
SEAL
091255-02-000 (A/R)

SINK-GALLEY
00013705 / 311763-01-CHT
STRAINER
092303-01-000 (2)
BRACKET AND SCREWS
(SUPPLIED WITH SINK)
SEAL
091255-03-000 (2130)

TOILET-RESIDENCE,LOW,W/O SPR
184093-01-CHT

DETAIL BB
(SHOWN W/OUT CABINETS & FLOOR)

DESCRIPTION: DRAINAGE SYSTEM INSTL		
SHEET: 2 OF 4	ITEM/PART NO: 000180156 / 30039801000	REV



CP-2 6

1
2240

TRAP-WATERLESS
165406-01-000

4
155

A-15

1
310

STRAINER
066440-01-000
SEALER
069640-01-000
WASHER-RUBBER
127440-02-CHT

T-1

1
80

C-3

1
55

ADAPTER-ANGLE, WATERLESS TRAP
165406-02-000

G-1 7

SHOWER INSTL-ENCLOSURE
189050-02-000

DETAIL CB
(SHOWN W/OUT CABINETS, FLOOR, & SHOWER)

VIEW CA

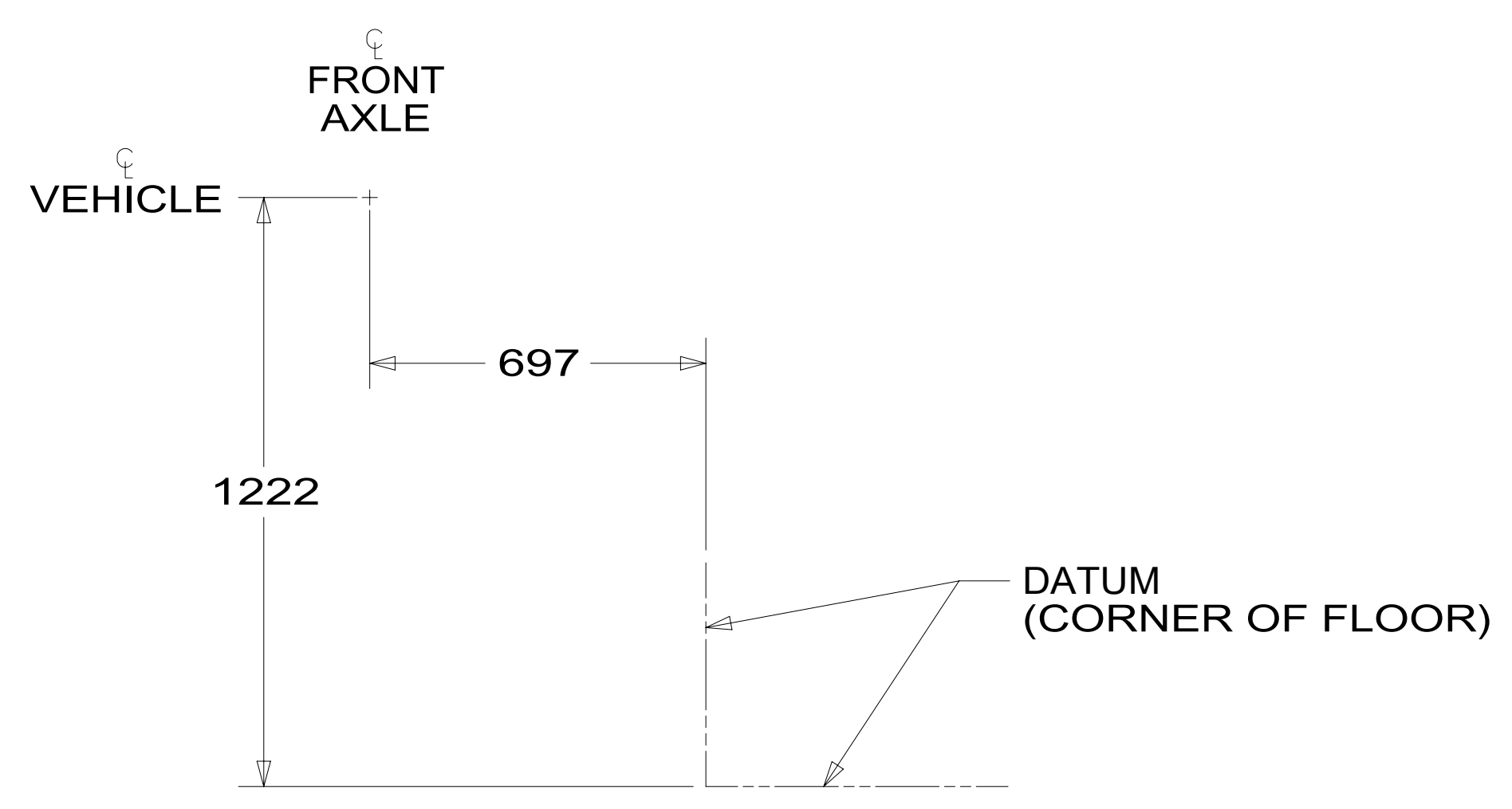
DETAIL CB

DESCRIPTION: DRAINAGE SYSTEM INSTL		
SHEET: 3 OF 4	ITEM/PART NO: 000180156 / 30039801000	REV
		1 31-Aug-2017

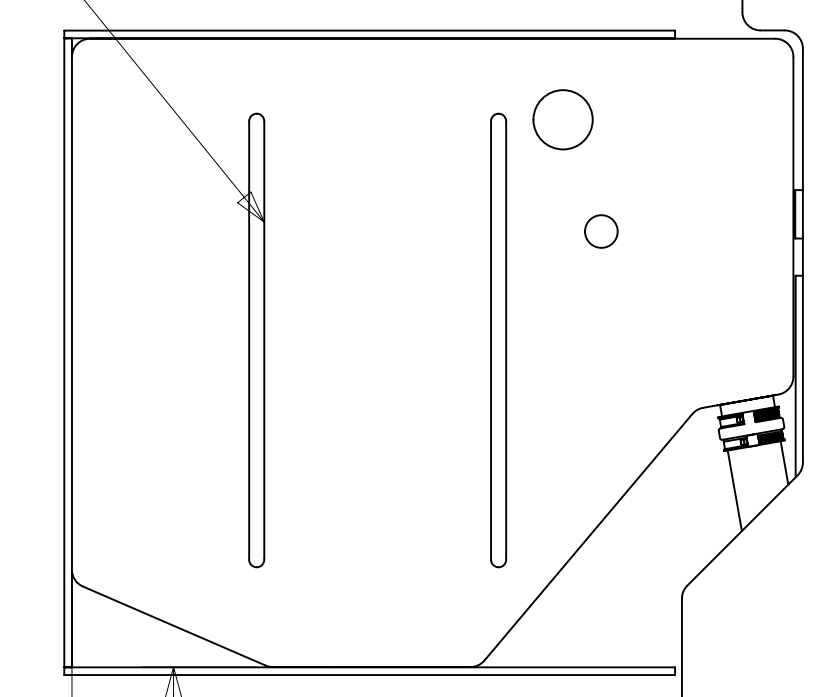
8 7 6 5 4 3 2 1

D

D



TANK ASM-HOLDING, 43 GAL
154458-02-000



BRACKET-HOLDING TANK
126796-06-CHT

TANK ASM-HOLDING, 38 GAL
154457-05-000

STL-TUBE
123963-07-CHT

BRACKET-HOLDING TANK
126796-04-CHT

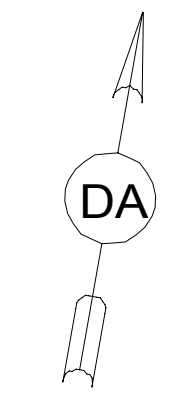
3878

246

100

336

SHOWING TANKS AND DRAINS



PLATFORM-HOLDING TANK
126714-30-000(2)

INSULATION-DRAINAGE COMPT
120050-73-000

N-3

2
540

E-18

V-7

E-18

N-3

V-7

E-18

CP-1

H-1

10

A-2

T-5

C-2

INSULATION-DRAINAGE COMPT
120050-72-000 (2)

FOAM-SUPPORT, HOLDING TANK
130223-04-000

INSULATION-DRAINAGE COMPT
120050-74-000

BRACKET-HOLDING TANK
126796-09-CHT

VIEW DA

INSULATION-DRAINAGE COMPT
120050-16-000

8 7 6 5 4 3 2 1

A

A

B

B

C

C

DESCRIPTION: DRAINAGE SYSTEM INSTL		
SHEET: 4 OF 4	ITEM/PART NO: 000180156 / 30039801000	REV
		1 31-Aug-2017