

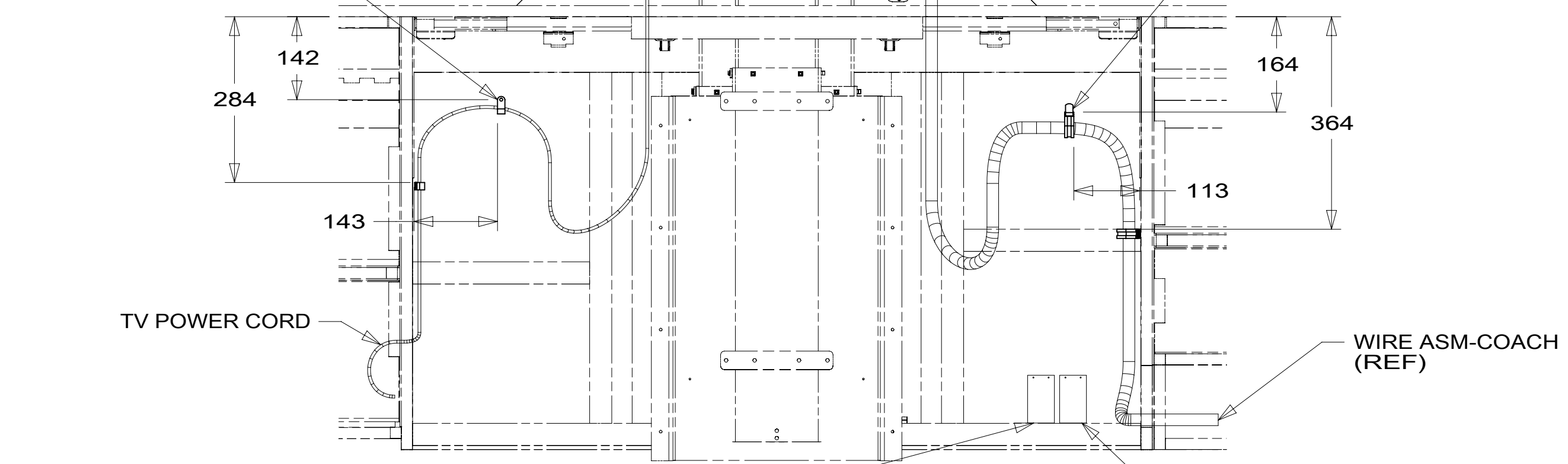
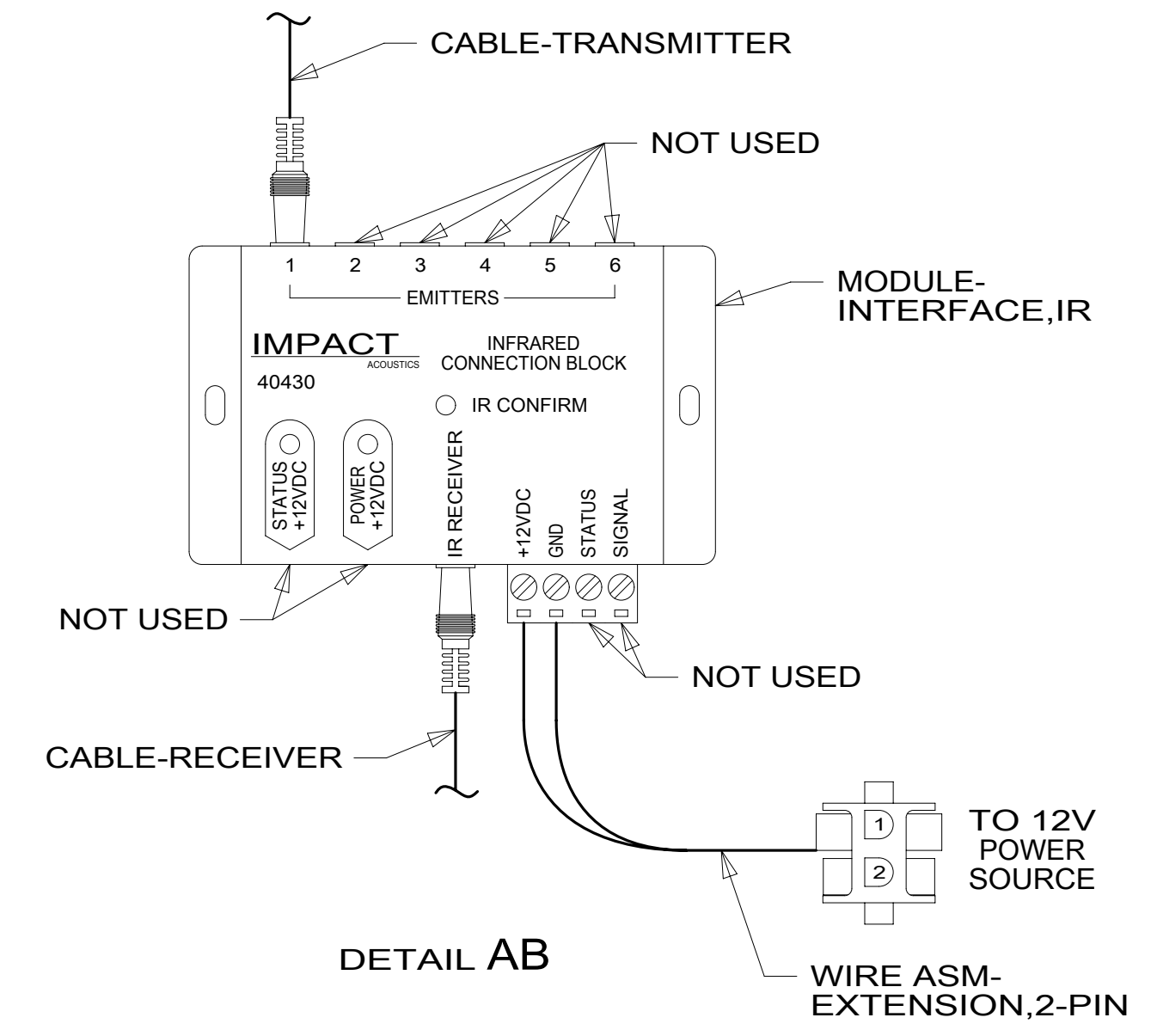
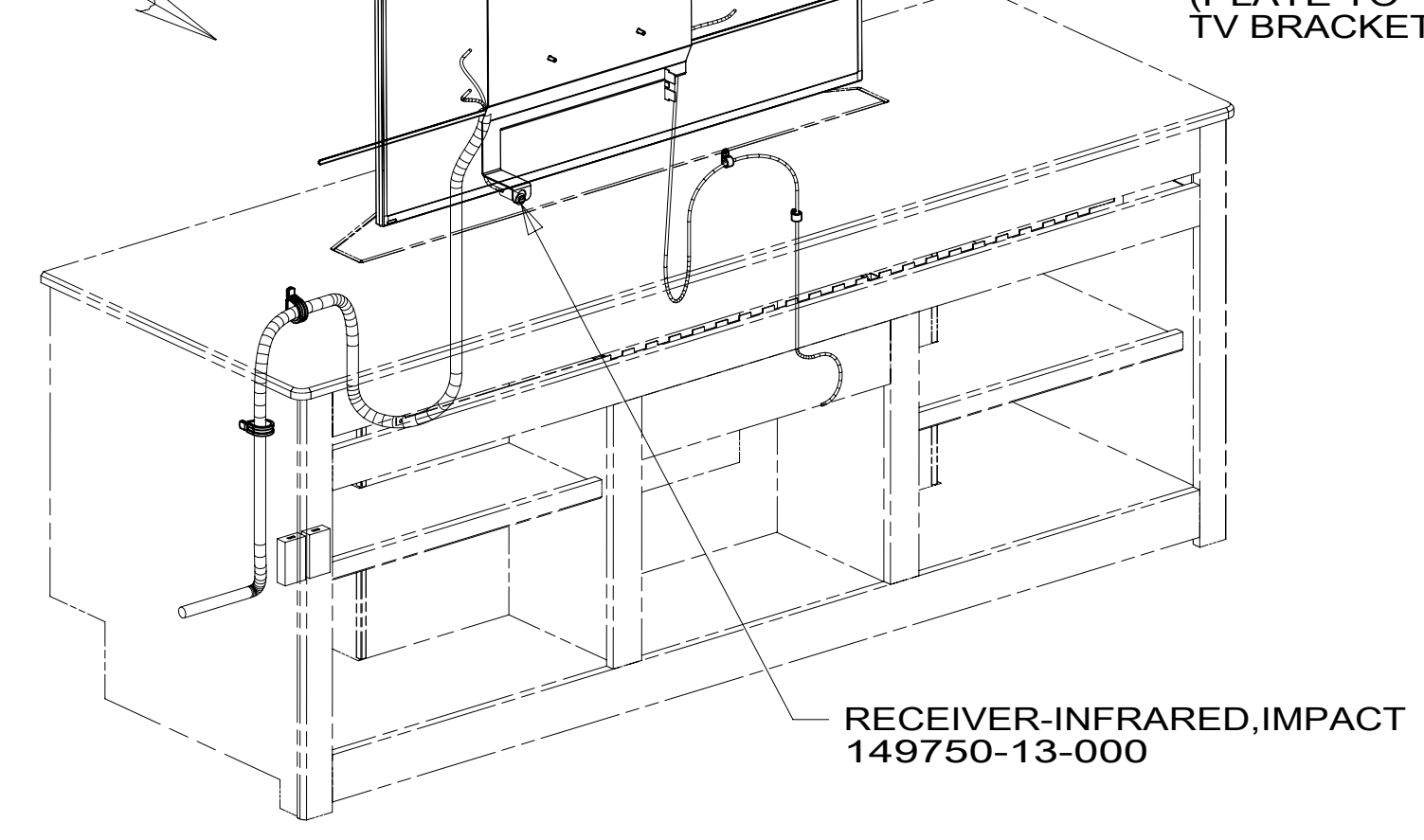
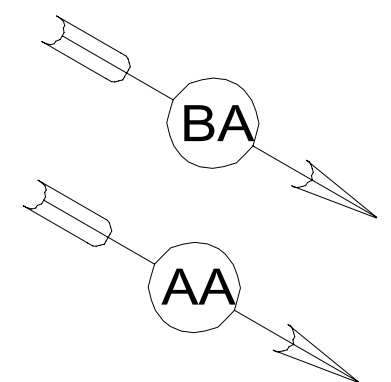
WIRE TIE IS TO BE ROUTED THROUGH HOLE IN LOWER BRACKET AS SHOWN TO PROPERLY SUPPORT CABLE ASM (2) PLACES

CLAMP-CABLE
10495-01-000 (2)
SCREW
G11-08-16U (2)

TIE-WIRE
8343-04-000 (2)

CLAMP-CLOSED
10497-02-000 (2)
SCREW
G11-08-16U (2)

TV-48", FLAT PANEL ELED
194365-01-000
SCREW
(TV TO PLATE)
(SUPPLIED W/TV)
OMG02U-06-016 (4)
PLATE-MOUNTING, TV
301753-01-CHT
SCREW
G39-10-12U (2)
(PLATE TO TV BRACKET)

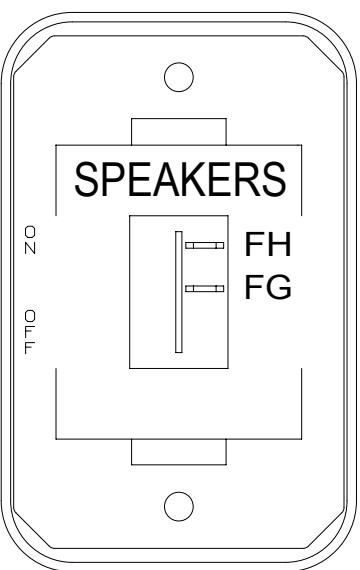


CONVERTER-HDMI/CAT6
(RECEIVER) (SAT PREP)
FASTENER-DUAL LOCK
85774-01-000 (50 MM) (2)
85774-02-000 (50 MM) (2)

VIEW AA

CONVERTER-HDMI/CAT6
(RECEIVER) (HOME THEATER)
FASTENER-DUAL LOCK
85774-01-000 (50 MM) (2)
85774-02-000 (50 MM) (2)

1JM



DETAIL AD

SWITCH-ROCKER
135740-01-CHT
SWITCH-BASE
135741-01-CHT
SWITCH-BEZEL
135742-60-CHT
SCREW
G11-08-08U (2)

VIDEO SWITCHER
193571-01-000
BRACKET-VIDEO SWITCH
156586-01-CHT
FASTNER-DUAL LOCK
85774-01-000 (200 MM) (2)
85774-02-000 (200 MM) (2)

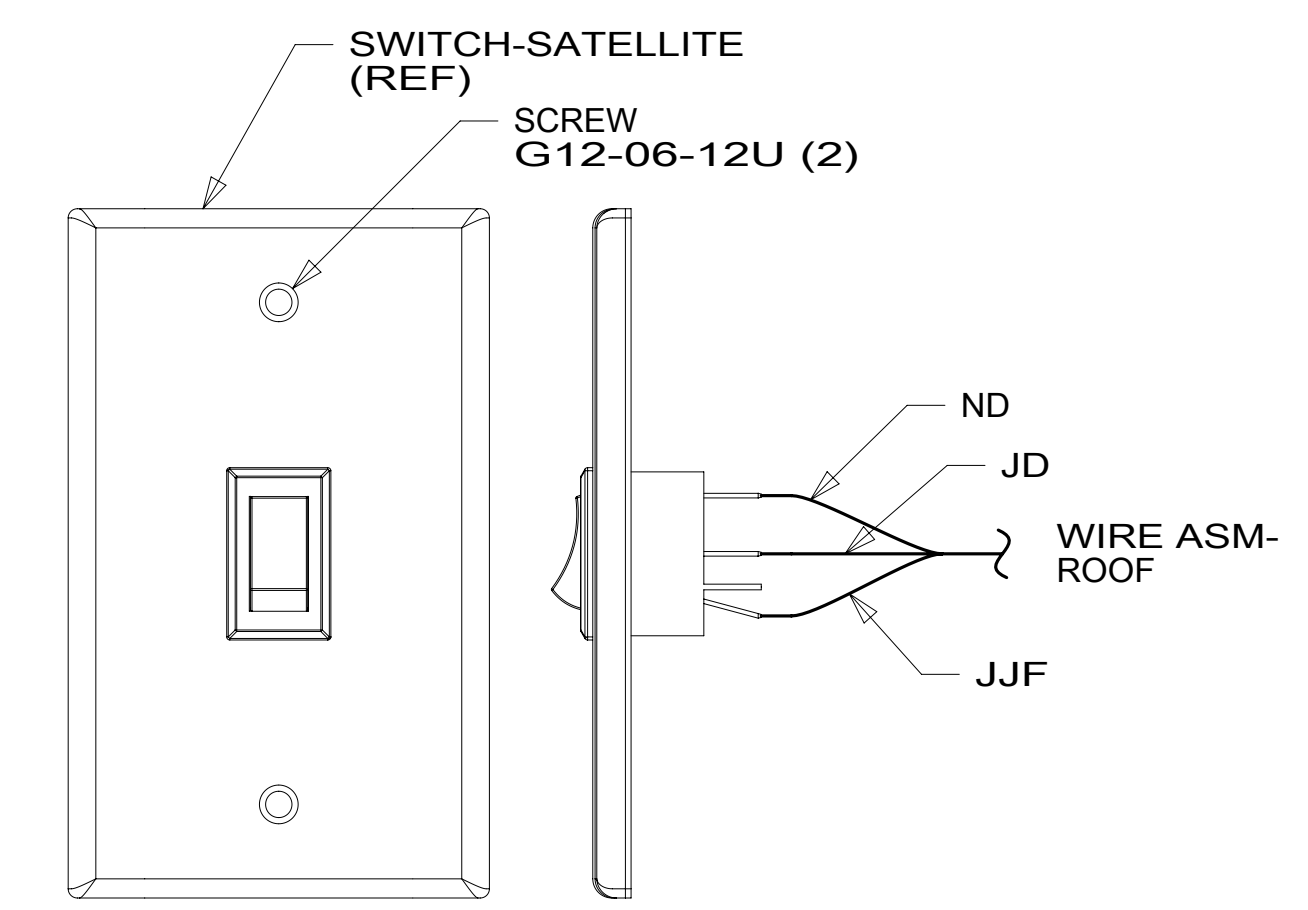
RCP-2 (PUR-2)
OVHD#1

78K SWITCH-SATELLITE
186102-04-CHT
DETAIL AC

RECEIVER-SATELLITE
(REF)

RCP-2 (PUR-2)
OVHD#2

PLATE-WALL
SATELLITE PREP
149557-04-CHT



DETAIL AC

1 TRANSMITTER-INFRARED
149750-11-000 (2)

1JM SWITCH
DETAIL AD

1JM CONVERTER-AUDIO OUTPUT
173726-01-000

1JM CONVERTER-HDMI/CAT6
(TRANSMITTER) (HOME THEATER)
178304-02-000
FASTENER-DUAL LOCK
85774-01-000 (50 MM) (2)
85774-02-000 (50 MM) (2)

CONVERTER-HDMI/CAT6
(TRANSMITTER) (SAT PREP)
178304-02-000
FASTENER-DUAL LOCK
85774-01-000 (50 MM) (2)
85774-02-000 (50 MM) (2)

DVD-HOME THEATER
180079-03-000
WIRE ASM-JUMPER
153349-11-000
FASTENER-DUAL LOCK
85774-01-000 (300 MM) (2)
85774-02-000 (300 MM) (2)

1JM

RCP-2S (PUR-2)
OVHD

MODULE-INTERFACE,
IR IMPACT
149750-09-000
WIRE ASM-
EXTENSION, 2 PIN
000028274 / 316209-01-000
DETAIL AB

BRACKET-VIDEO SWITCH
156586-13-CHT
SCREW
G11-08-12U (4)

FOR ELECTRICAL
TORQUE
SPECIFICATIONS
SEE DWG NO.
128783-01-000

FOR ELECTRICAL
CALLOUTS
SEE DWG NO.
121339-01-000

- 1JM HOME THEATER SOUND SYSTEM
- 78K SATELLITE TV SYSTEM AUTO
- 35P VIDEO SELECTION SYSTEM
- 265 CODES/STANDARDS-CSA/CMVSS
- 1B1 CODES/STANDARDS USA

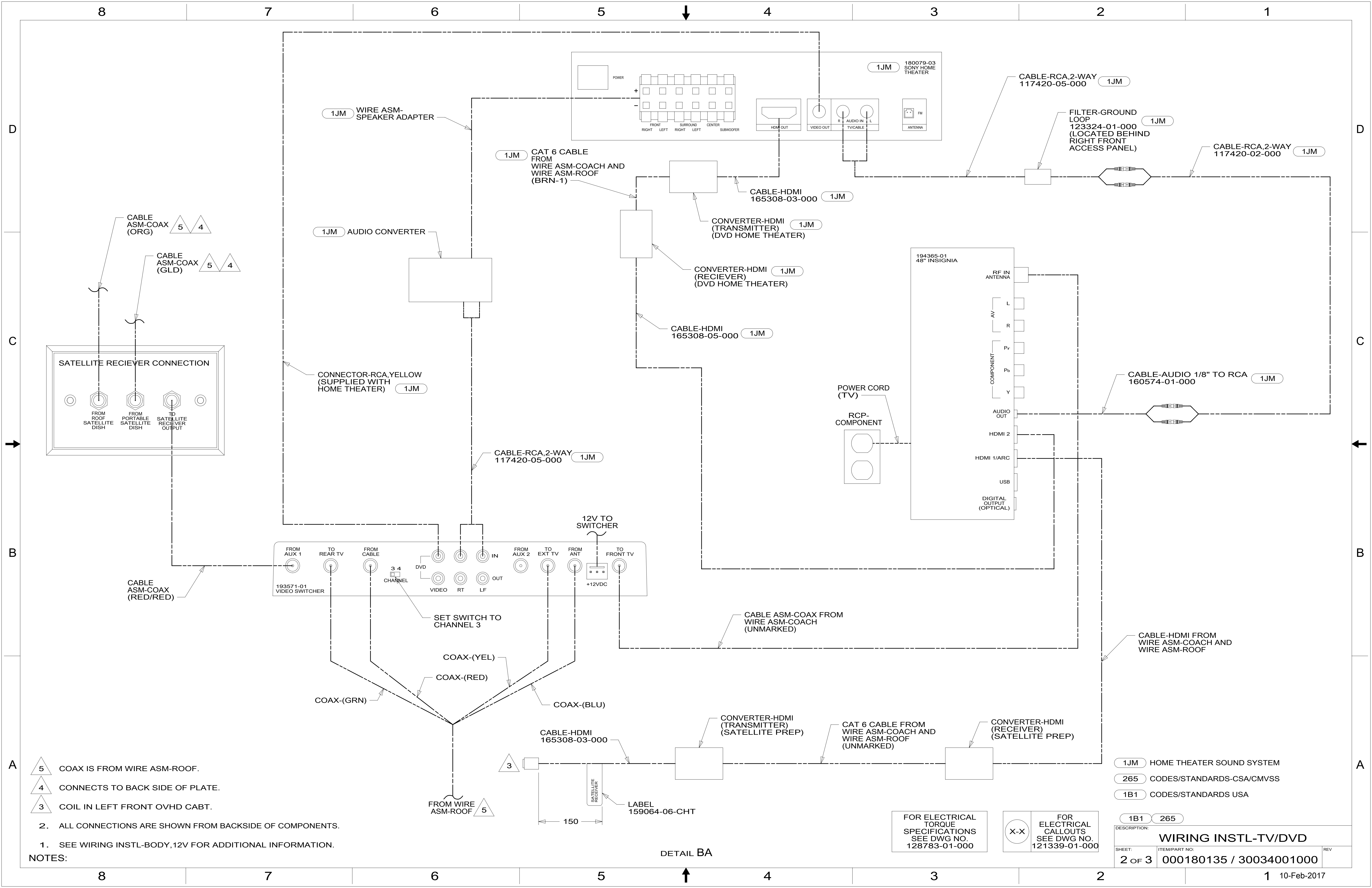
1B1 265



DSNR:	ALL DIMENSIONS ARE IN MILLIMETERS	
DFFR:		
UNSPECIFIED TOLERANCES:		
WHOLE DIM (X) :	3	
ONE-PLACE (X.X) :	1.5	
TWO-PLACE (X.XX) :	0.50	
ANGLE :	1°	
REFER TO ES0018 FOR FASTENER TIGHTENING GUIDELINES	WEIGHT: (LBS)	FIRST USED:
		16 D33C

DESCRIPTION: WIRING INSTL-TV/DVD		
SHEET: 1 OF 3	ITEM/PART NO: 000180135 / 30034001000	REV:

NOTES:
1 POSITION IR EMITTER OVER IR RECEIVER ON DVD PLAYER.



- 5 COAX IS FROM WIRE ASM-ROOF.
- 4 CONNECTS TO BACK SIDE OF PLATE.
- 3 COIL IN LEFT FRONT OVHD CABT.

2. ALL CONNECTIONS ARE SHOWN FROM BACKSIDE OF COMPONENTS.

1. SEE WIRING INSTL-BODY, 12V FOR ADDITIONAL INFORMATION.

NOTES:

- 1JM HOME THEATER SOUND SYSTEM
- 265 CODES/STANDARDS-CSA/CMVSS
- 1B1 CODES/STANDARDS USA

FOR ELECTRICAL TORQUE SPECIFICATIONS SEE DWG NO. 128783-01-000

FOR ELECTRICAL CALLOUTS SEE DWG NO. 121339-01-000

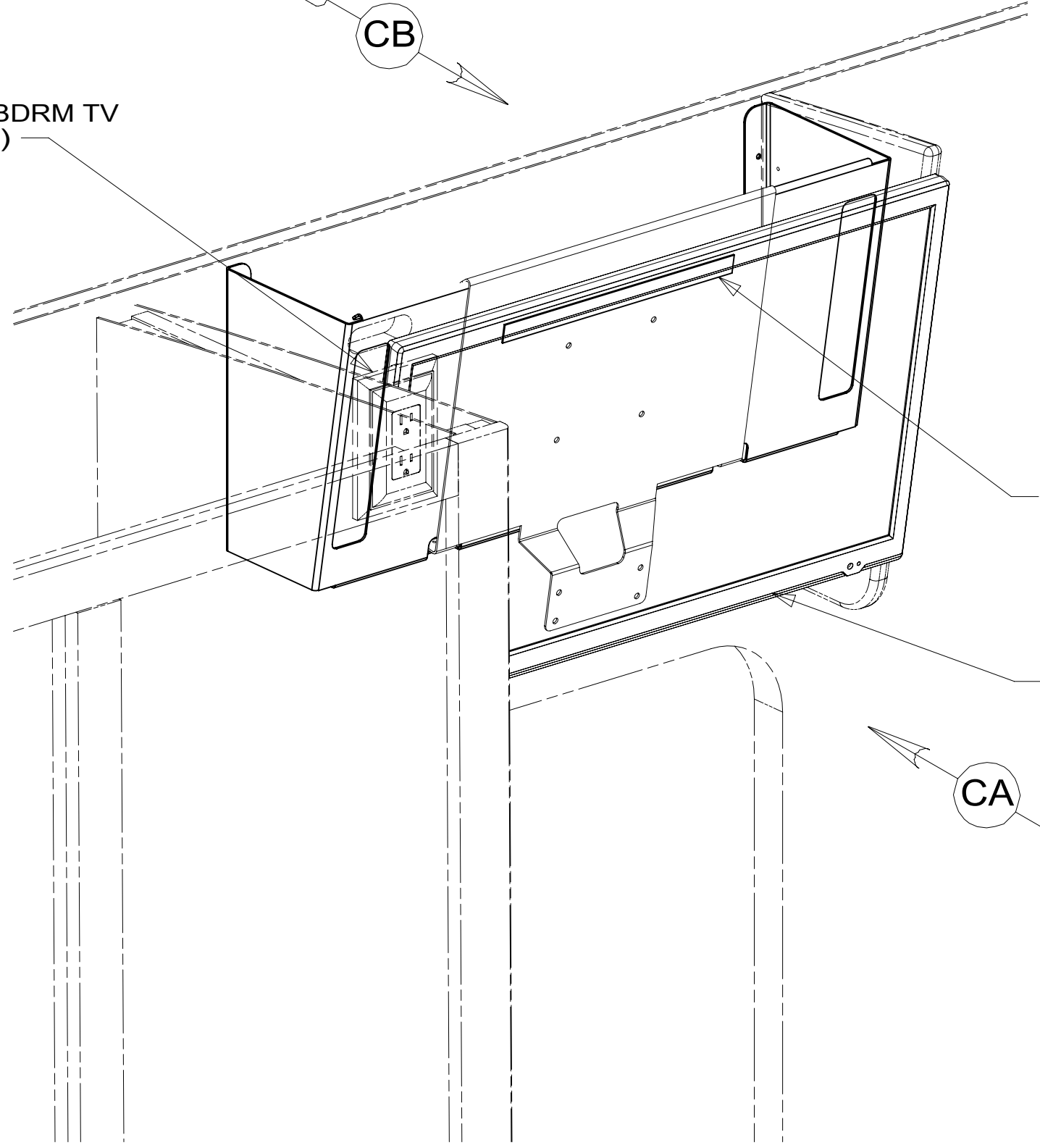
DESCRIPTION:		WIRING INSTL-TV/DVD	
SHEET:	ITEM/PART NO.:	REV:	
2 OF 3	000180135 / 30034001000		

DETAIL BA

8 7 6 5 4 3 2 1

RCP-BDRM TV (REF)

CB



TAPE-FOAM
076322-22-000
(270 MM) 1

TV-28" HDTV 110 VAC
000032948 / 317355-01-000

CA

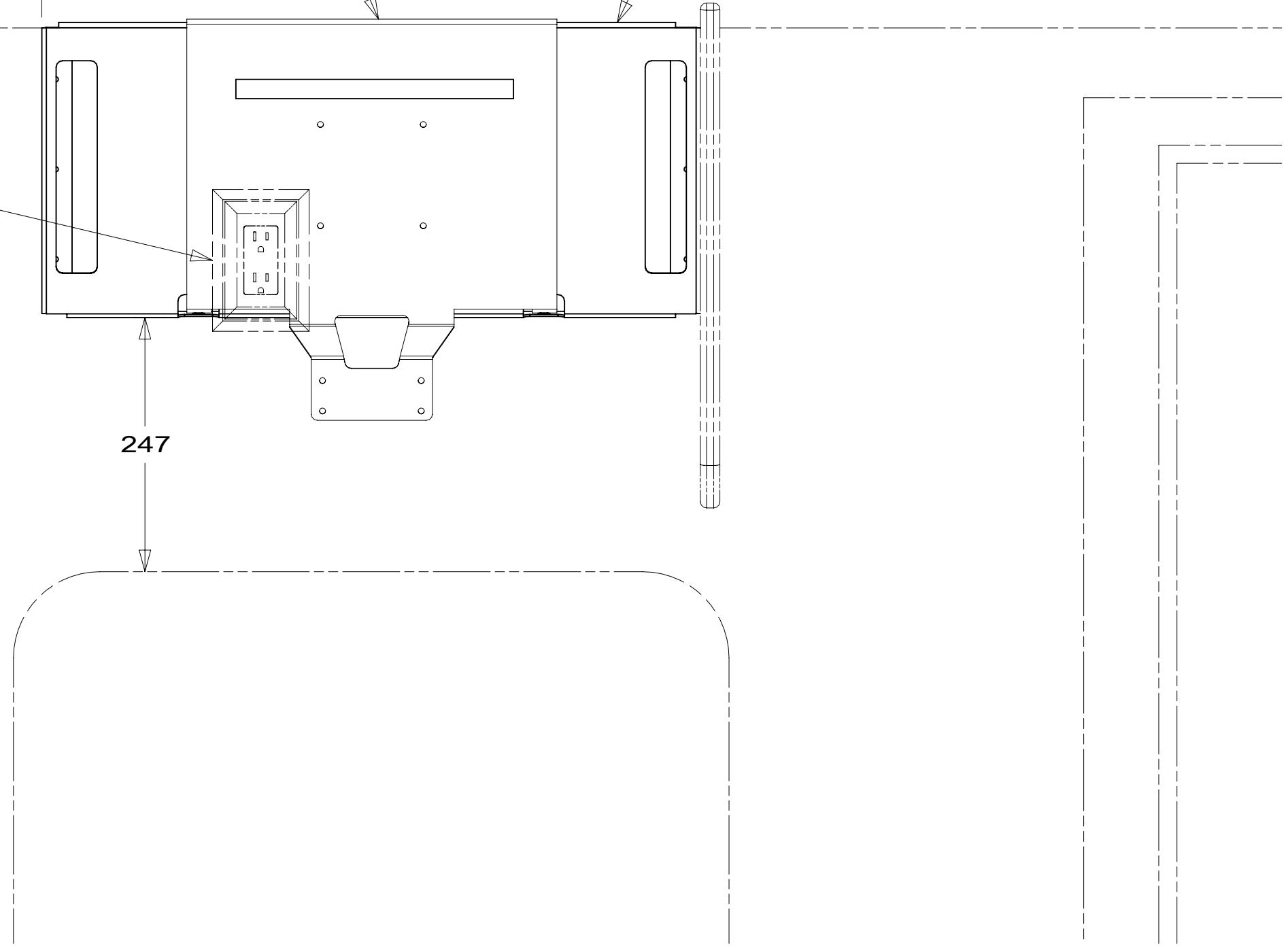
PLATE-MOUNTING, TV, 28"RCA
000037837 / 318677-01-CHT
SCREW (VESA MOUNT)
OMG02U-05-012 (4)
SCREW (LOWER SUPPORT)
(SUPPLIED W/TV)
SCREW (BOTTOM FLANGE)
G39-08-12U (2)

SUPPORT ASM-MOUNTING, TV
166616-10-CHT
SCREW
G39-08-12U (6)

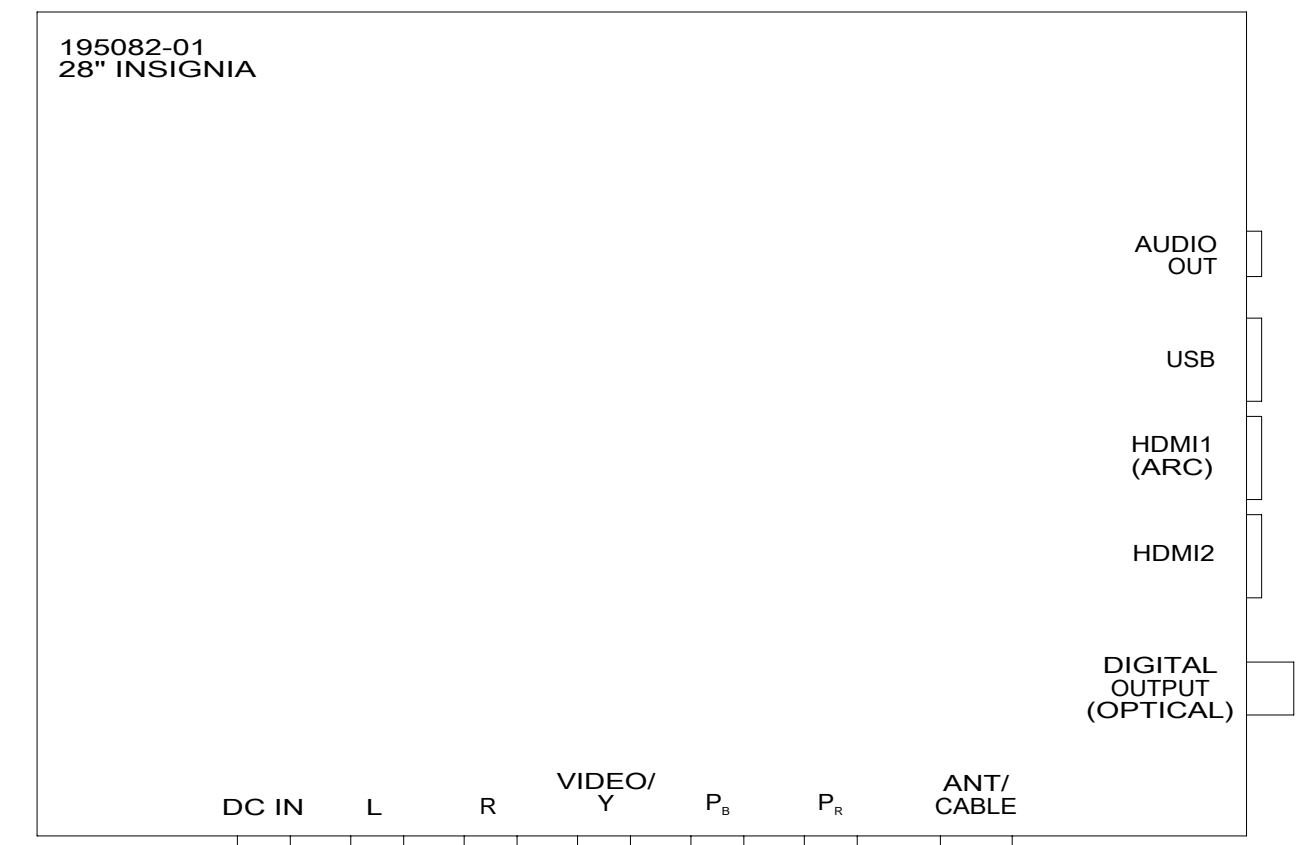
RCP-BDRM TV (REF)

91

247



VIEW CA
(TV NOT SHOWN)



3-WAY RCA FROM
WIRE ASM-COACH
(AV 1)

(GRN) COAX FROM
WIRE ASM-COACH

VIEW CB

FOR ELECTRICAL
TORQUE
SPECIFICATIONS
SEE DWG NO.
128783-01-000

FOR ELECTRICAL
CALLOUTS
SEE DWG NO.
121339-01-000

- 61M TV(REAR)-28" COLOR STEREO
- 265 CODES/STANDARDS-CSA/CMVSS
- 1B1 CODES/STANDARDS USA

1B1 265 61M

DESCRIPTION: WIRING INSTL-TV/DVD		
SHEET: 3 OF 3	ITEM/PART NO: 000180135 / 30034001000	REV

1 PREP SURFACE WITH ADHESIVE PROMOTER 87211-01-000.

NOTES:

8 7 6 5 4 3 2 1 10-Feb-2017