

- NOTES:
10. USE SMOOTH PLUMBERS PUTTY 167459-01-000 TO SEAL STRAINER (0.2 PER STRAINER).
 9. APPLY PRIMER 126427-02-000 AND CEMENT 126427-01-000 BETWEEN ELBOW AND FLEX PIPE.
 8. SECURE DRAINAGE PIPES TO CABINET USING WIRE TIE 108046-02-000, AND SCREW 000G67-10-12U AT INTERVALS OF NOT MORE THAN 4 FEET APART.
 7. SECURE VENT PIPE TO TANK WITH CLAMP 062401-02-000.
 6. VENT PIPE MUST PROJECT 51 MIN AND 64 MAX ABOVE ROOF FOR PROPER FIT AND FUNCTION. ADD S-1 (116666-01-CHT SEAL-VENT PIPE) AROUND PIPE ON ROOF BEFORE VENT CAP IS INSTALLED.
 5. SEAL AROUND SHOWER WITH SILICONE.
 4. ATTACH TANK BRACKET TO RISER.
 3. ALL PIPE AND FITTINGS TO BE ASSEMBLED WITH SOLVENT 004020-01-000 (USA), 004020-02-000 (CAN)
 2. SLOPE OF TRAP ARM MUST BE 6 PER 305 mm.
 1. SLOPE OF HORIZONTAL PIPING TO BE MINIMUM OF 3 PER 305 mm.

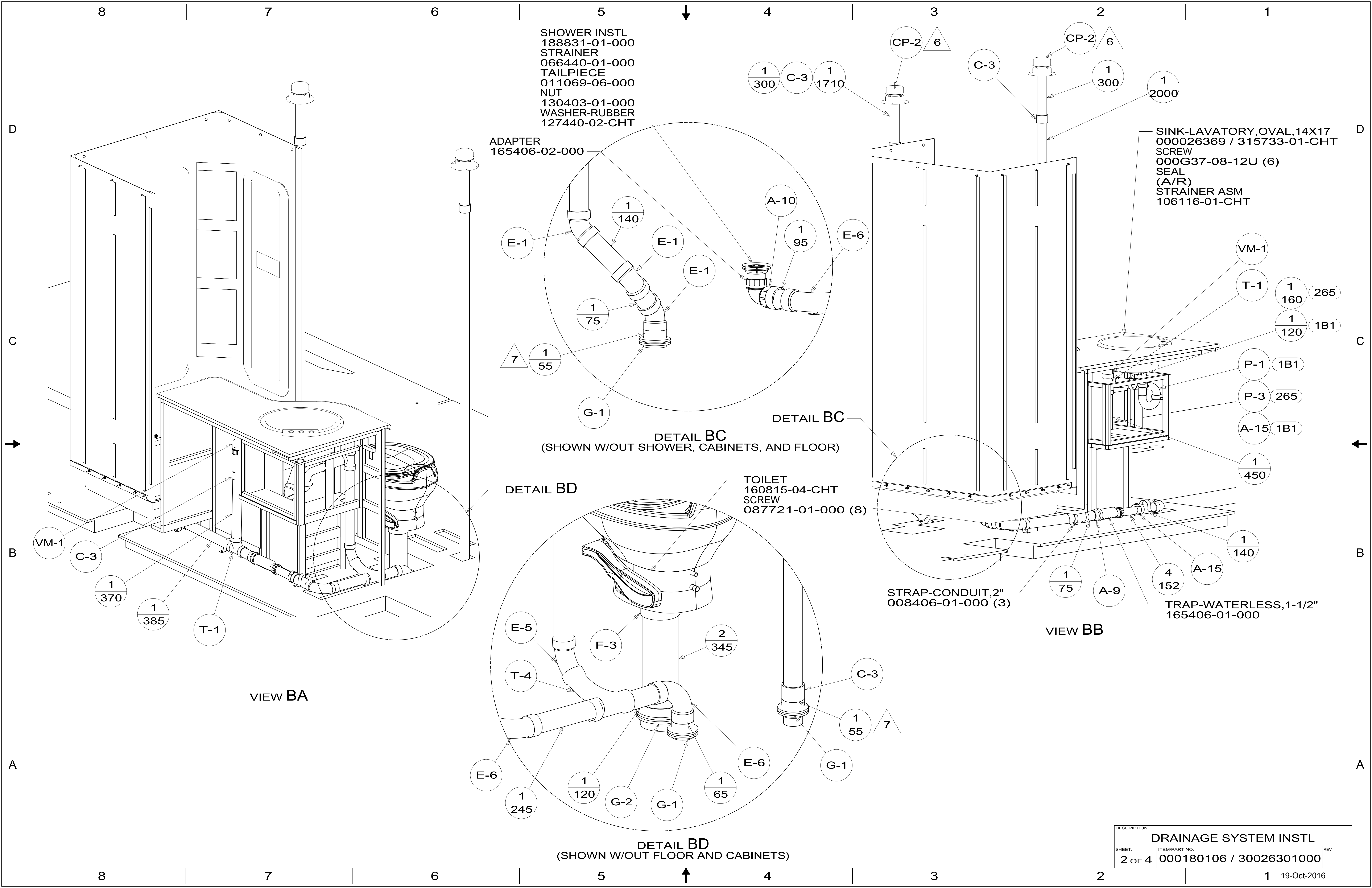
- 21S WASHER & DRYER-PAIR
- 21M WASHER/DRYER PREP
- 1B1 CODES/STANDARDS-USA
- 265 CODES/STANDARDS-CSA/CMVSS

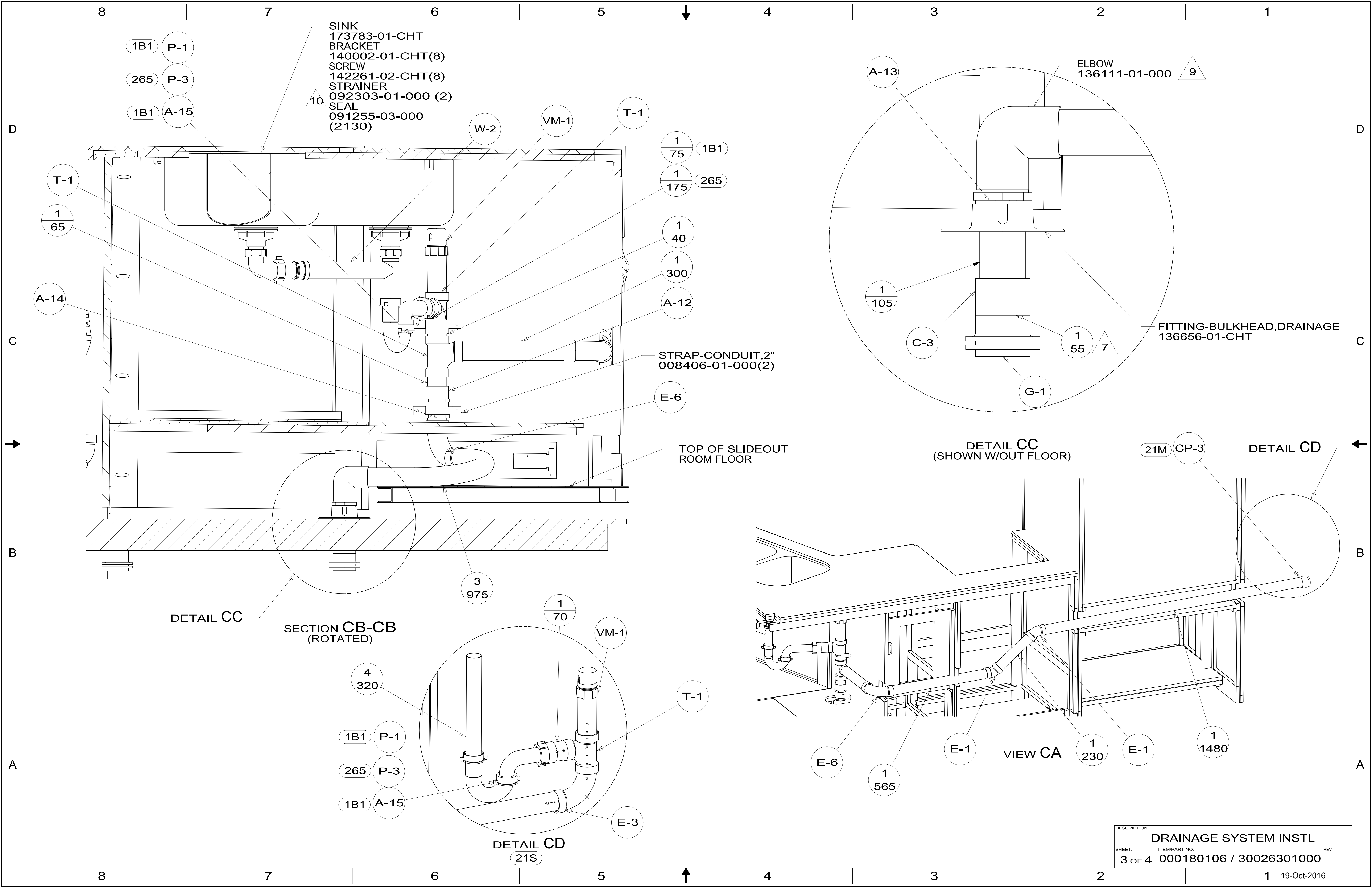
X-X

FOR
DRAINAGE
CALLOUTS
SEE DWG NO.
116229-01-000

WINNEBAGO[®]
COPYRIGHT 2016 WINNEBAGO INDUSTRIES, INC.

DSNR:		ALL DIMENSIONS ARE IN MILLIMETERS	
DIFTR:			
UNSPECIFIED TOLERANCES:		MATERIAL:	
WHOLE DIM (X)	3		
ONE-PLACE (X.X)	1.5		
TWO-PLACE (X.XX)	0.50		
ANGLE	1°		
REFER TO ES0018 FOR FASTENER TIGHTENING GUIDELINES		WEIGHT: (LBS)	FIRST USED: (REF)
DESCRIPTION: DRAINAGE SYSTEM INSTL			
SHEET:	ITEM/PART NO.:	REV	
1 OF 4	000180106 / 30026301000		
REF:		1 19-Oct-2016	





SINK
 173783-01-CHT
 BRACKET
 140002-01-CHT(8)
 SCREW
 142261-02-CHT(8)
 STRAINER
 092303-01-000 (2)
 SEAL
 091255-03-000
 (2130)

1B1 P-1
 265 P-3
 1B1 A-15

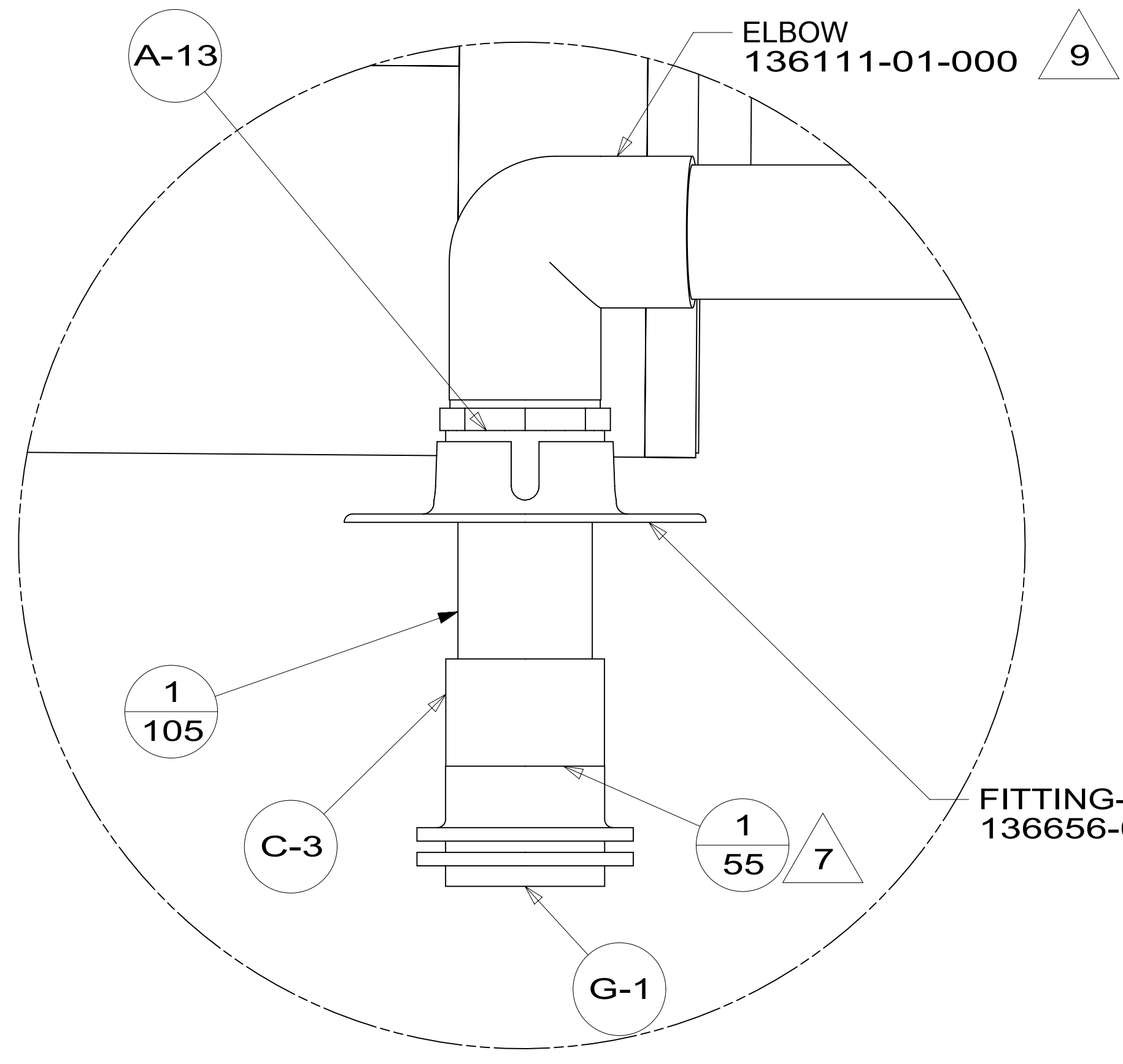
1 75 1B1
 1 175 265

1 40
 1 300
 A-12

STRAP-CONDUIT,2"
008406-01-000(2)

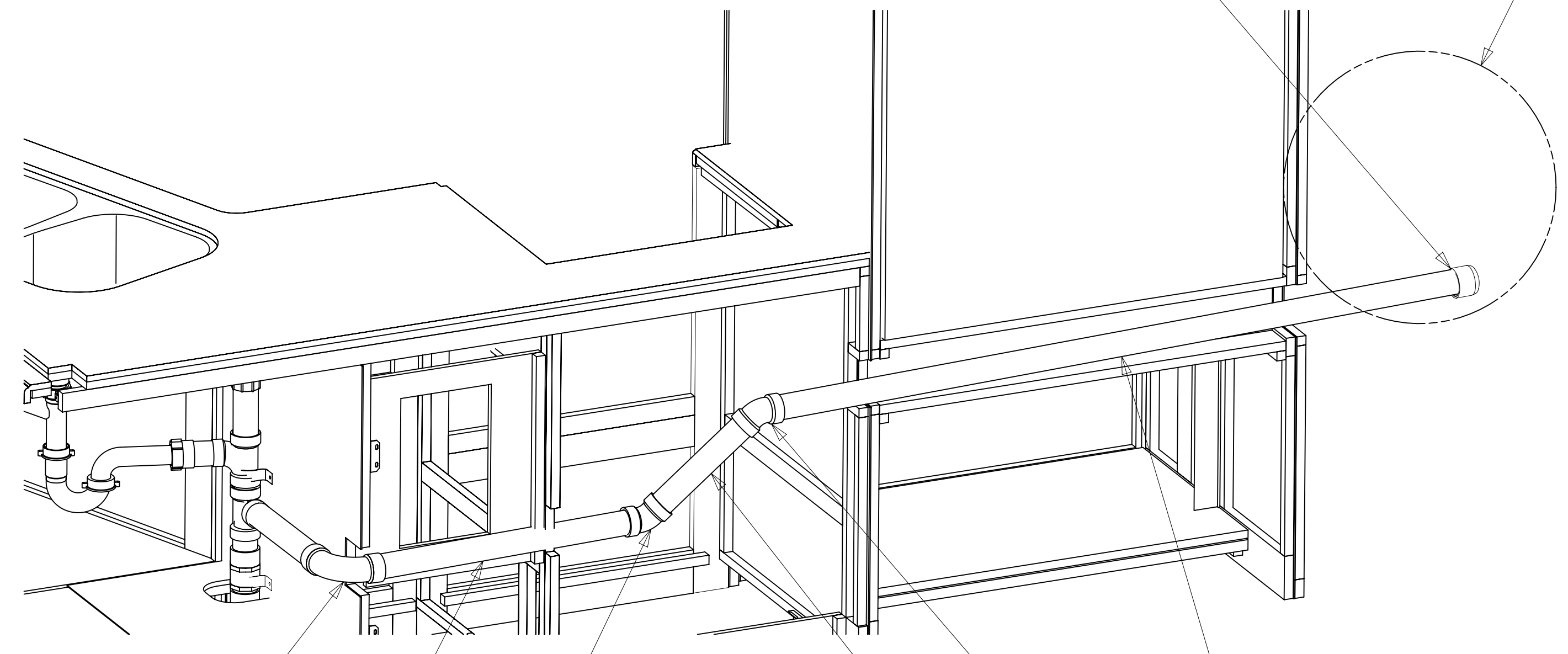
E-6

TOP OF SLIDEOUT
ROOM FLOOR



DETAIL CC
(SHOWN W/OUT FLOOR)

DETAIL CD

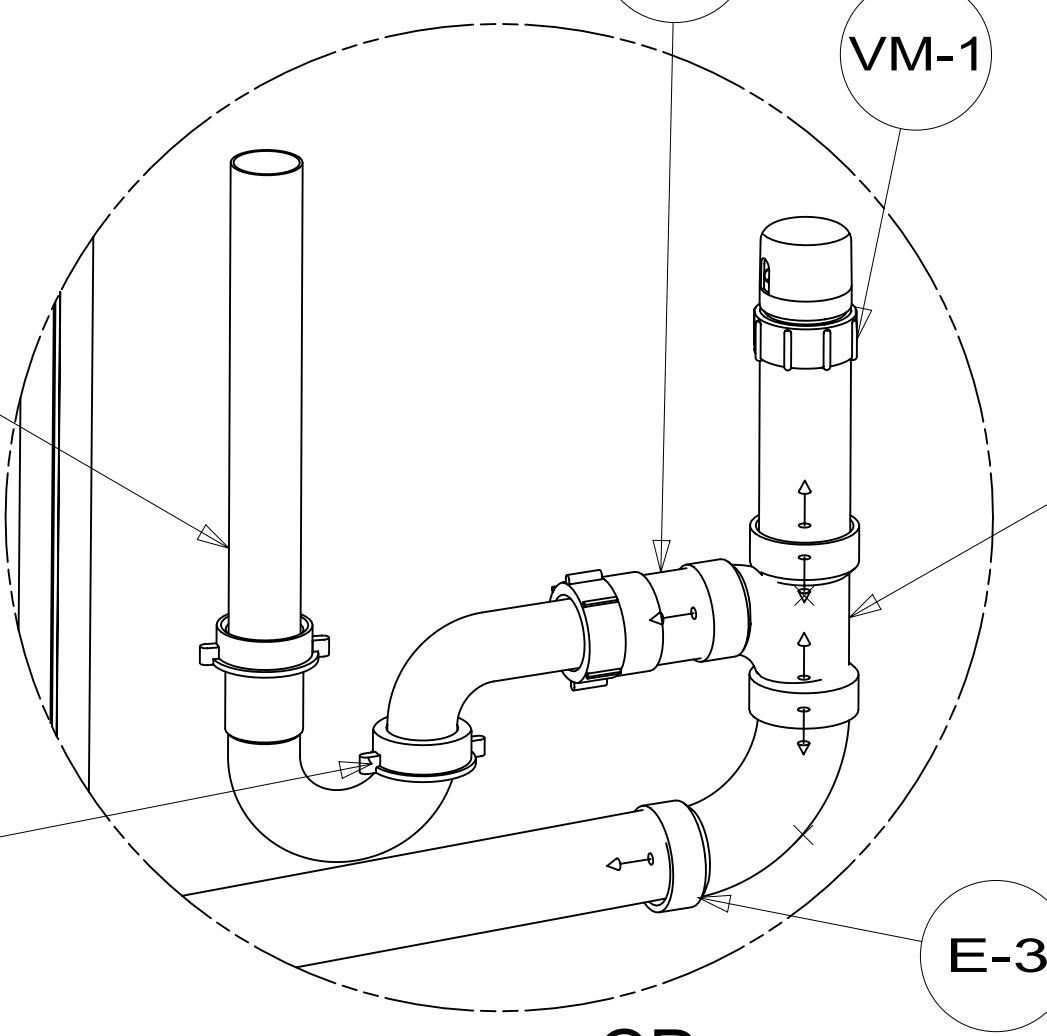


DETAIL CC
SECTION CB-CB
(ROTATED)

3 975

1 70

4 320
 1B1 P-1
 265 P-3
 1B1 A-15



DETAIL CD
21S

DESCRIPTION:		
DRAINAGE SYSTEM INSTL		
SHEET:	ITEM/PART NO.:	REV
3 OF 4	000180106 / 30026301000	

