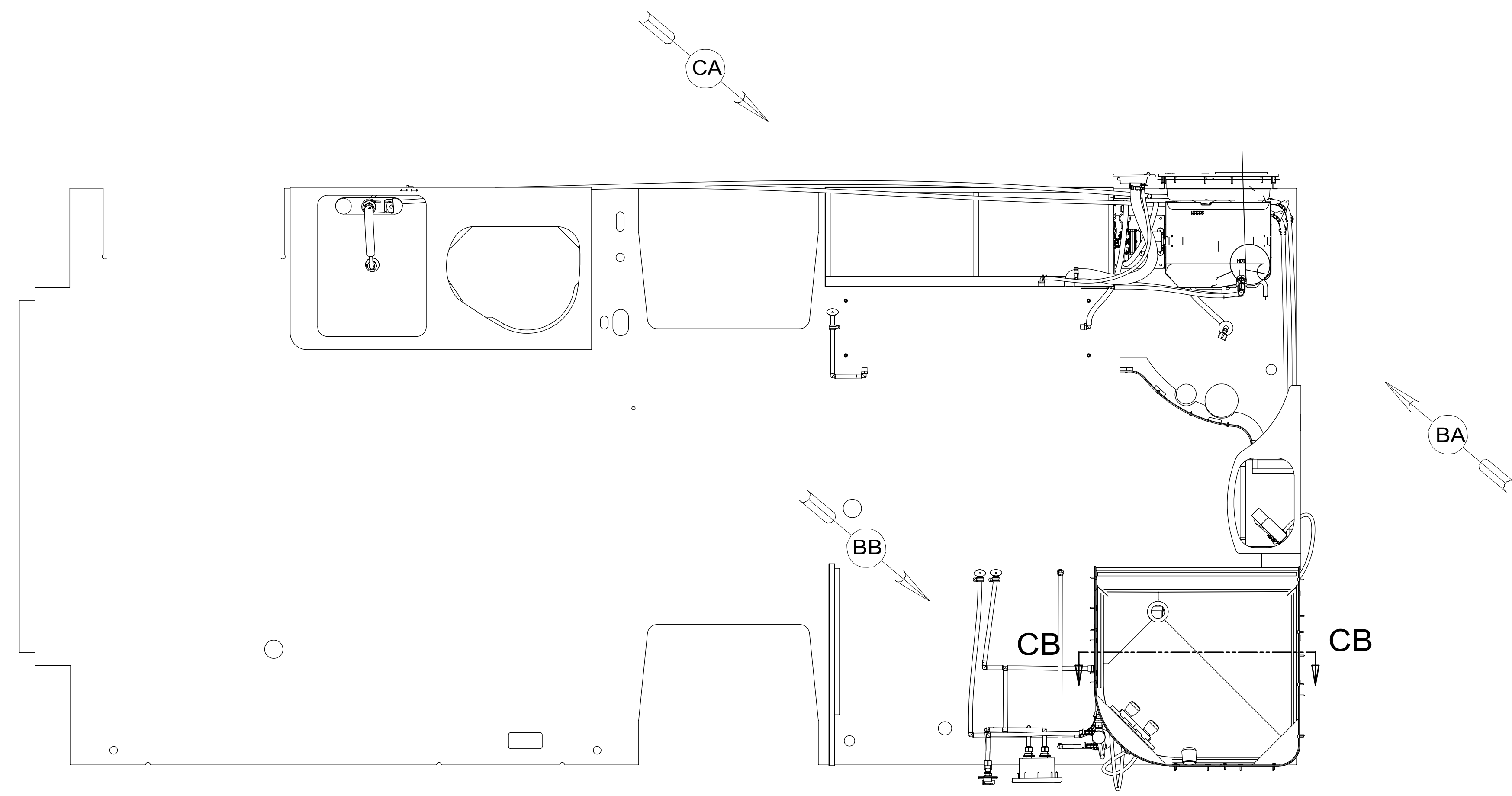


REV	ZONE	REVISION RECORD	DATE	DFTR-ORIG
A	---	INITIAL RELEASE	11/02/15	3650
B	---	CHG LENGTH SHT2	2-16-16	1600-3508
C	---	R-8 WAS R-7 SHT2	2-22-16	1600-5472
D	---	CHG E-46 WAS ADP. PIPE SHT2	4-18-16	1600-2314
E	---	DEL PLATE SHT3	6-10-16	1600-5472
F	---	ADD ELOW SHT2	7-8-16	1600-5472



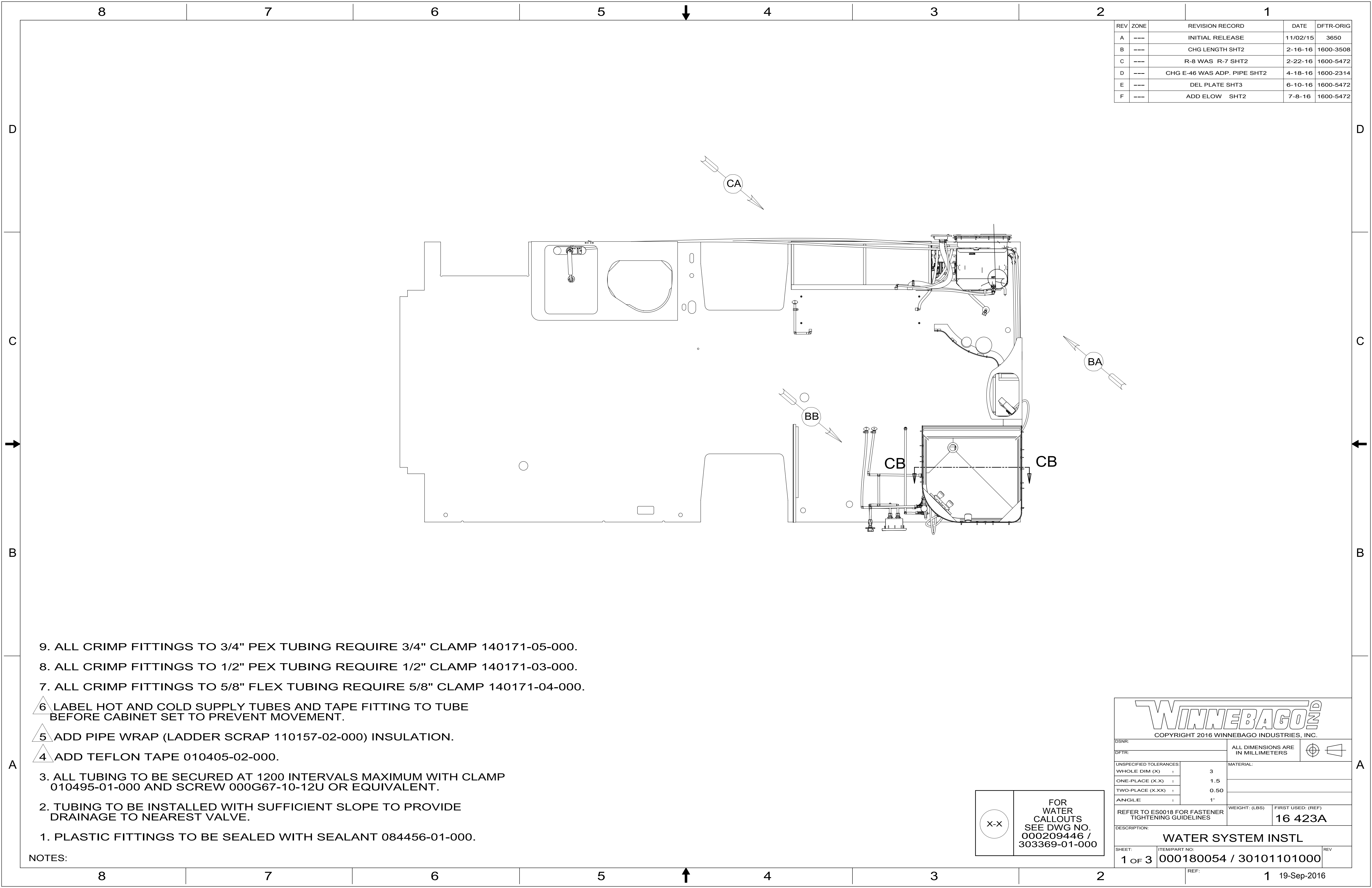
9. ALL CRIMP FITTINGS TO 3/4" PEX TUBING REQUIRE 3/4" CLAMP 140171-05-000.
8. ALL CRIMP FITTINGS TO 1/2" PEX TUBING REQUIRE 1/2" CLAMP 140171-03-000.
7. ALL CRIMP FITTINGS TO 5/8" FLEX TUBING REQUIRE 5/8" CLAMP 140171-04-000.
- 6 LABEL HOT AND COLD SUPPLY TUBES AND TAPE FITTING TO TUBE BEFORE CABINET SET TO PREVENT MOVEMENT.
- 5 ADD PIPE WRAP (LADDER SCRAP 110157-02-000) INSULATION.
- 4 ADD TEFLON TAPE 010405-02-000.
3. ALL TUBING TO BE SECURED AT 1200 INTERVALS MAXIMUM WITH CLAMP 010495-01-000 AND SCREW 000G67-10-12U OR EQUIVALENT.
2. TUBING TO BE INSTALLED WITH SUFFICIENT SLOPE TO PROVIDE DRAINAGE TO NEAREST VALVE.
1. PLASTIC FITTINGS TO BE SEALED WITH SEALANT 084456-01-000.

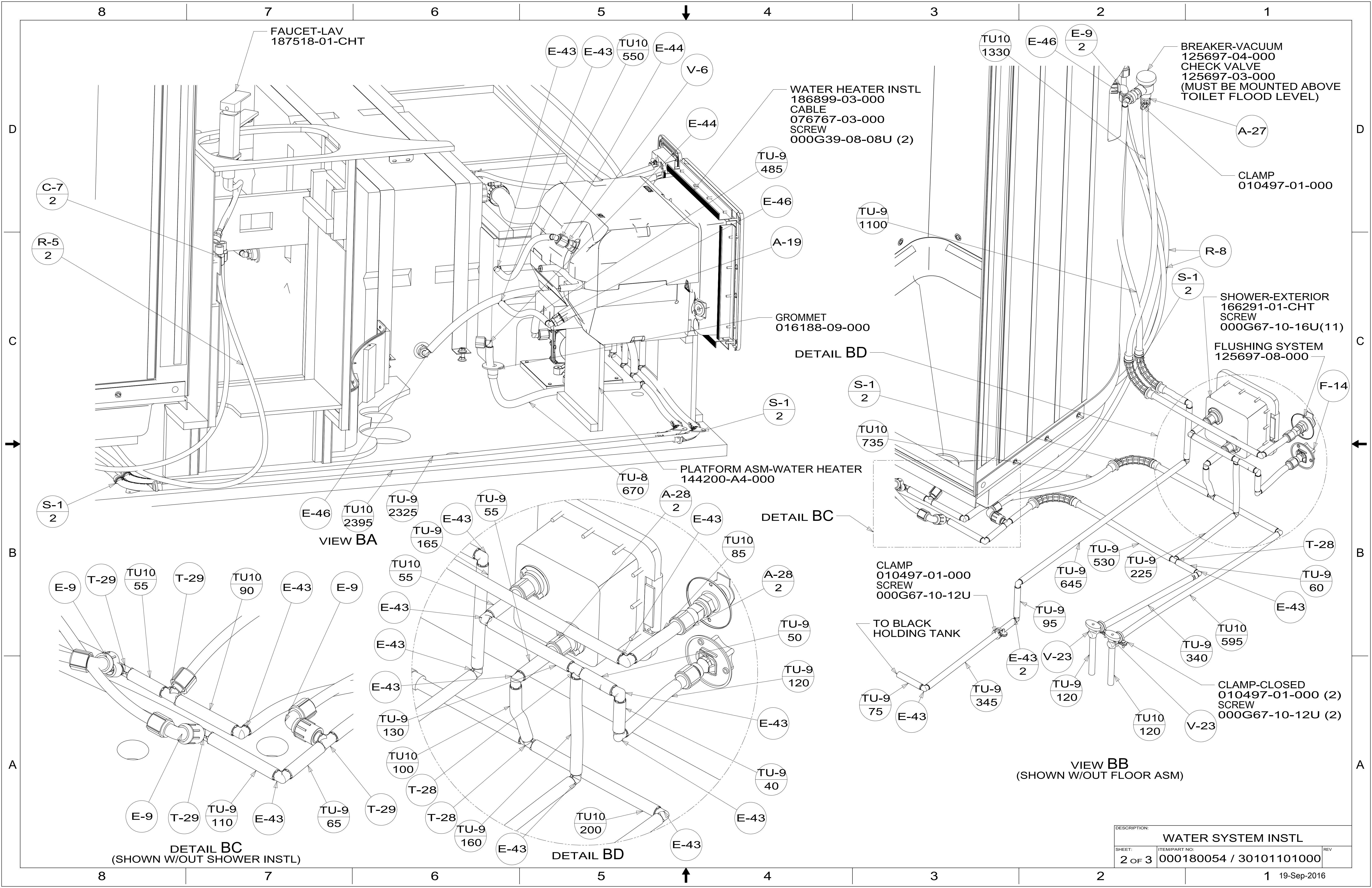
NOTES:

X-X
FOR WATER CALLOUTS SEE DWG NO. 000209446 / 303369-01-000

COPYRIGHT 2016 WINNEBAGO INDUSTRIES, INC.

DSNR:		ALL DIMENSIONS ARE IN MILLIMETERS	
DFTR:			
UNSPECIFIED TOLERANCES:		MATERIAL:	
WHOLE DIM (X)	3		
ONE-PLACE (X.X)	1.5		
TWO-PLACE (X.XX)	0.50		
ANGLE	1°		
REFER TO ES0018 FOR FASTENER TIGHTENING GUIDELINES		WEIGHT: (LBS)	FIRST USED: (REF)
			16 423A
DESCRIPTION: WATER SYSTEM INSTL			
SHEET: 1 OF 3	ITEM/PART NO: 000180054 / 30101101000	REV:	
REF:		1 19-Sep-2016	





FAUCET-LAV
187518-01-CHT

E-43 E-43 TU10 550 E-44

TU10 1330 E-46 E-9 2

BREAKER-VACUUM
125697-04-000
CHECK VALVE
125697-03-000
(MUST BE MOUNTED ABOVE
TOILET FLOOD LEVEL)

WATER HEATER INSTL
186899-03-000
CABLE
076767-03-000
SCREW
000G39-08-08U (2)

CLAMP
010497-01-000

GROMMET
016188-09-000

SHOWER-EXTERIOR
166291-01-CHT
SCREW
000G67-10-16U(11)

FLUSHING SYSTEM
125697-08-000

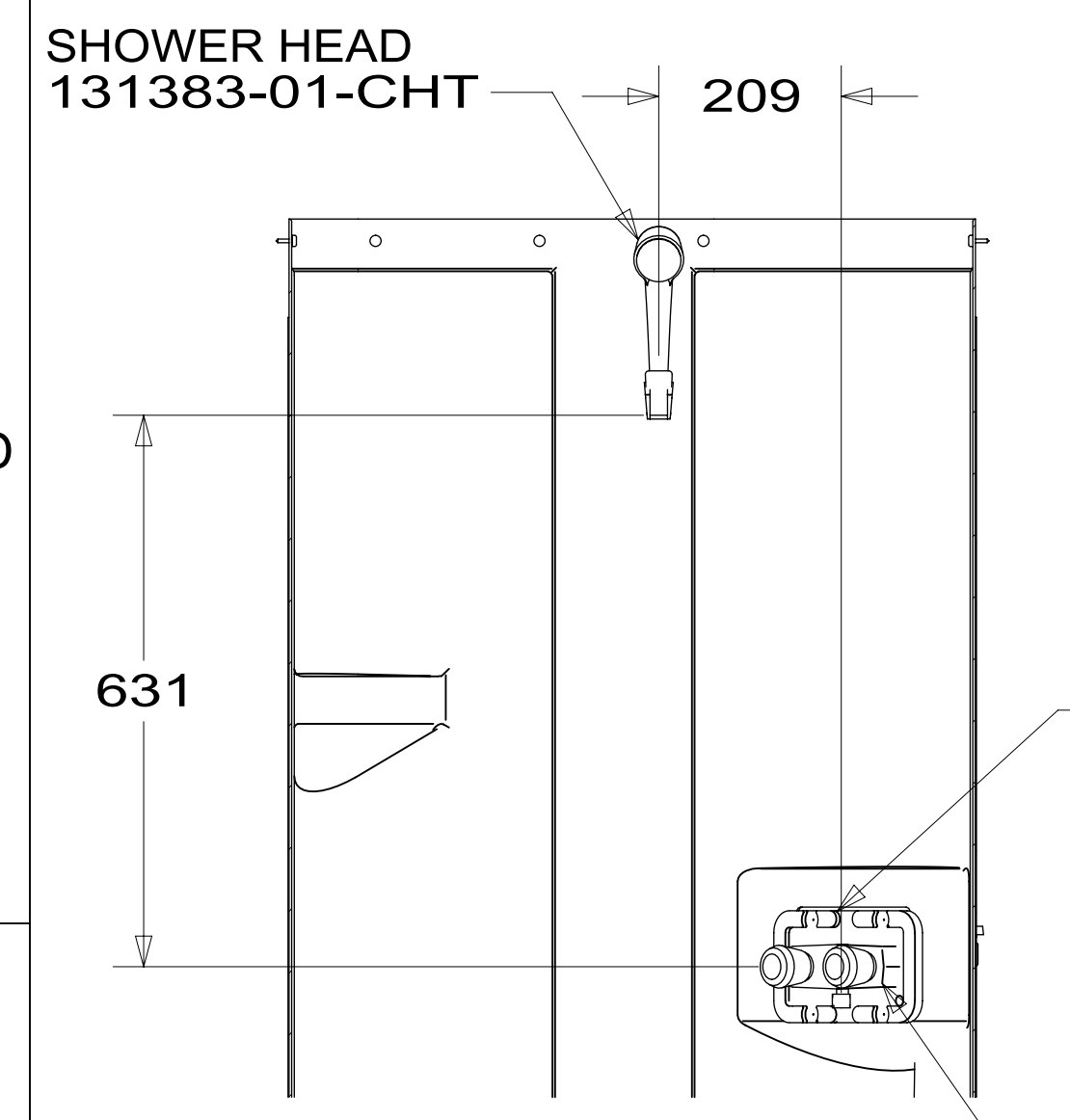
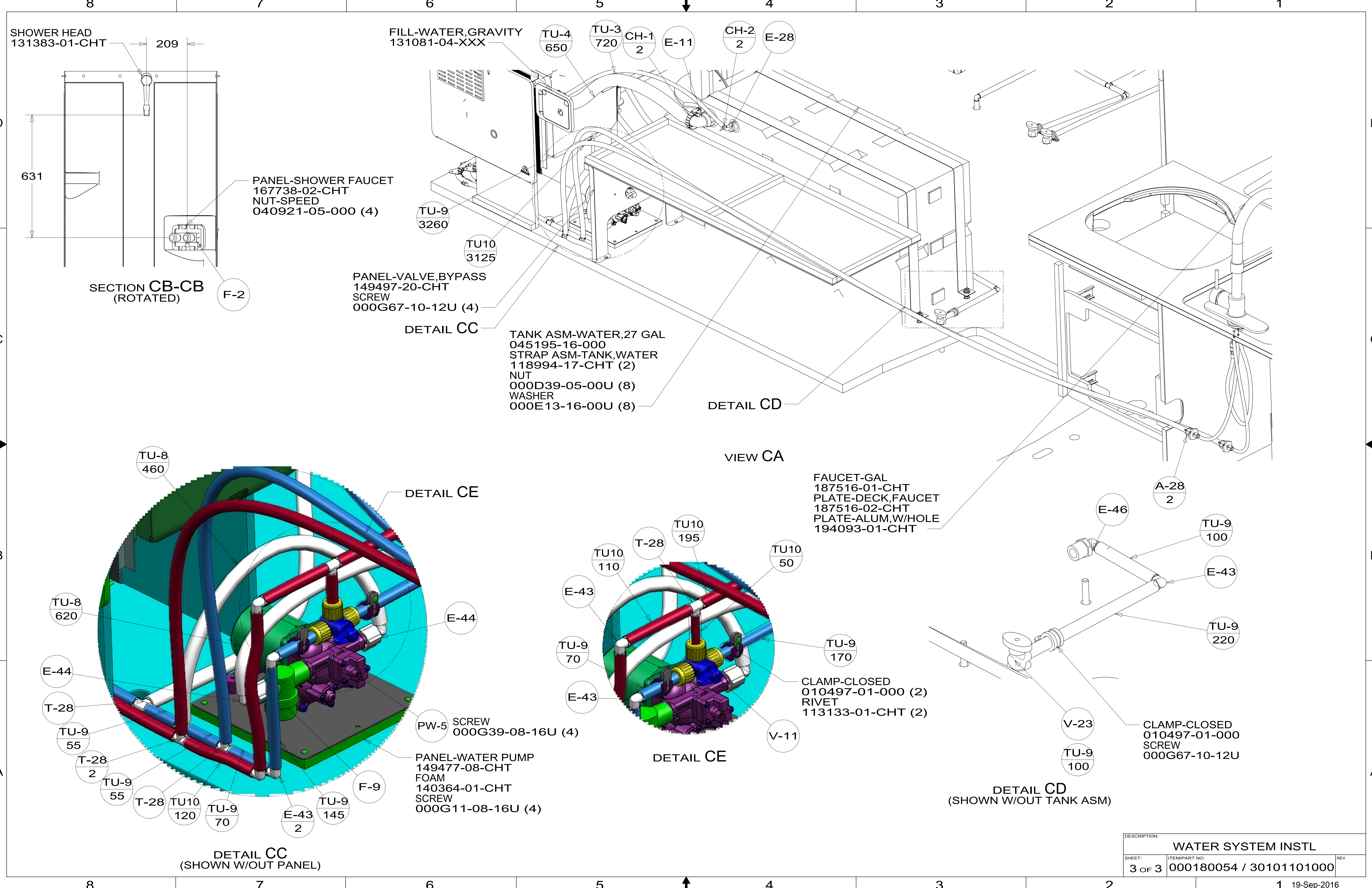
PLATFORM ASM-WATER HEATER
144200-A4-000

CLAMP
010497-01-000
SCREW
000G67-10-12U

CLAMP-CLOSED
010497-01-000 (2)
SCREW
000G67-10-12U (2)

VIEW BB
(SHOWN W/OUT FLOOR ASM)

DESCRIPTION:		
WATER SYSTEM INSTL		
SHEET:	ITEM/PART NO.:	REV:
2 OF 3	000180054 / 30101101000	



PANEL-SHOWER FAUCET
167738-02-CHT
NUT-SPEED
040921-05-000 (4)

SECTION CB-CB
(ROTATED)

F-2

FILL-WATER, GRAVITY
131081-04-XXX

TU-4 650
TU-3 720
CH-1 2
E-11
CH-2 2
E-28

TU-9 3260

TU10 3125

PANEL-VALVE, BYPASS
149497-20-CHT
SCREW
000G67-10-12U (4)

DETAIL CC

TANK ASM-WATER, 27 GAL
045195-16-000
STRAP ASM-TANK, WATER
118994-17-CHT (2)
NUT
000D39-05-00U (8)
WASHER
000E13-16-00U (8)

DETAIL CD

VIEW CA

FAUCET-GAL
187516-01-CHT
PLATE-DECK, FAUCET
187516-02-CHT
PLATE-ALUM, W/HOLE
194093-01-CHT

A-28 2

E-46

TU-9 100

E-43

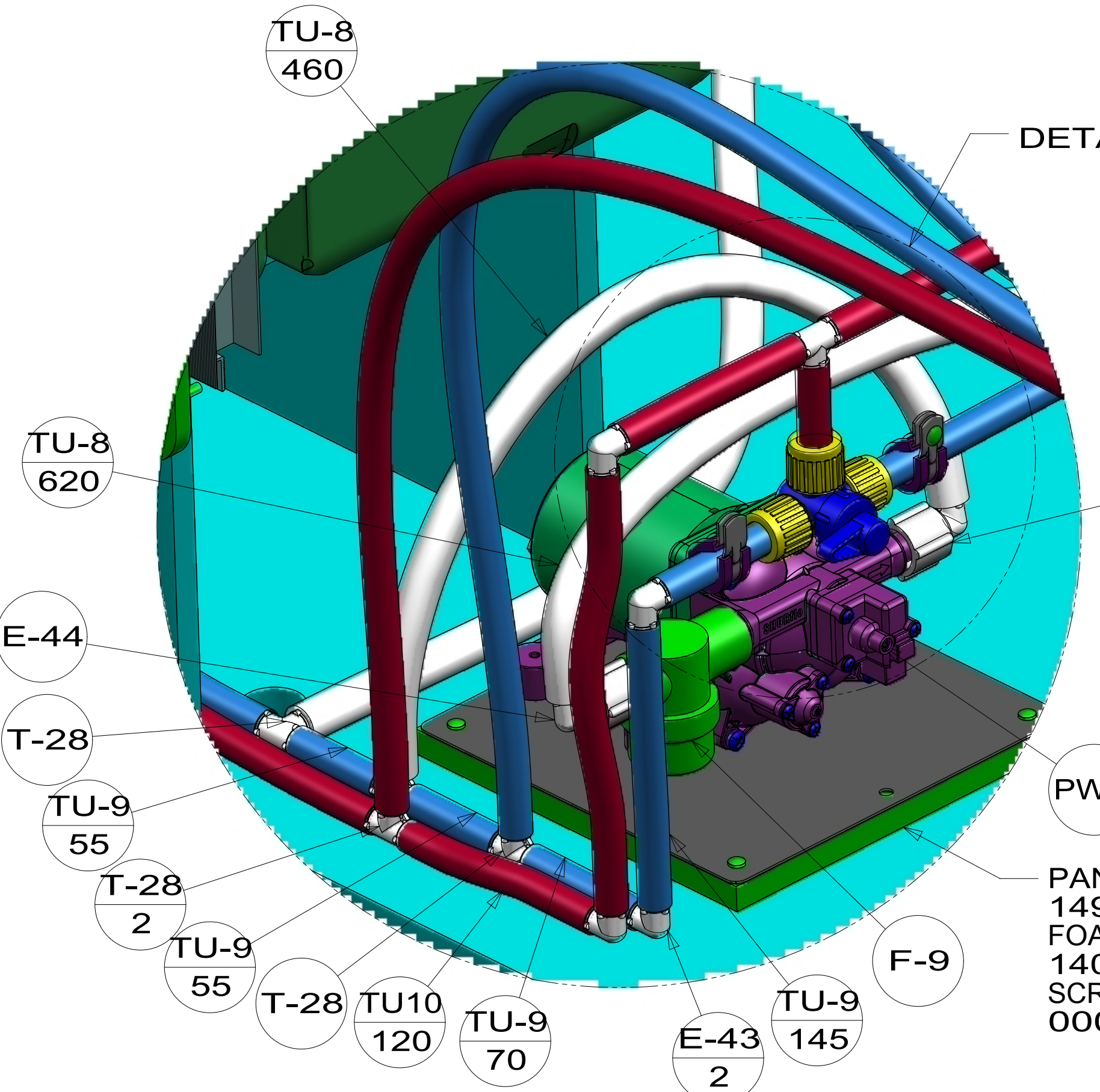
TU-9 220

V-23

TU-9 100

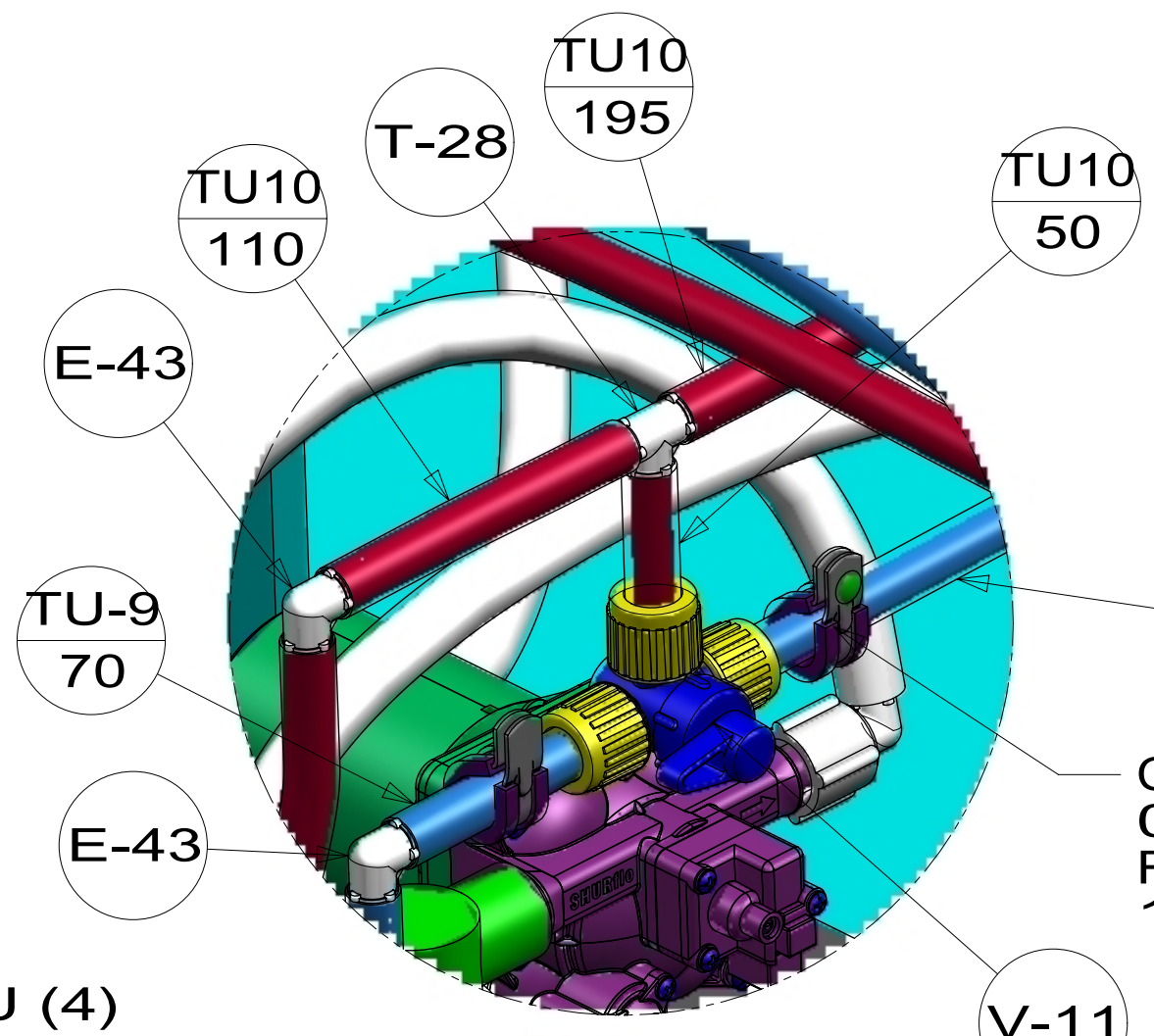
CLAMP-CLOSED
010497-01-000
SCREW
000G67-10-12U

DETAIL CD
(SHOWN W/OUT TANK ASM)



PW-5 SCREW
000G39-08-16U (4)

PANEL-WATER PUMP
149477-08-CHT
FOAM
140364-01-CHT
SCREW
000G11-08-16U (4)



CLAMP-CLOSED
010497-01-000 (2)
RIVET
113133-01-CHT (2)

DESCRIPTION:		
WATER SYSTEM INSTL		
SHEET:	ITEM/PART NO.:	REV
3 OF 3	000180054 / 30101101000	