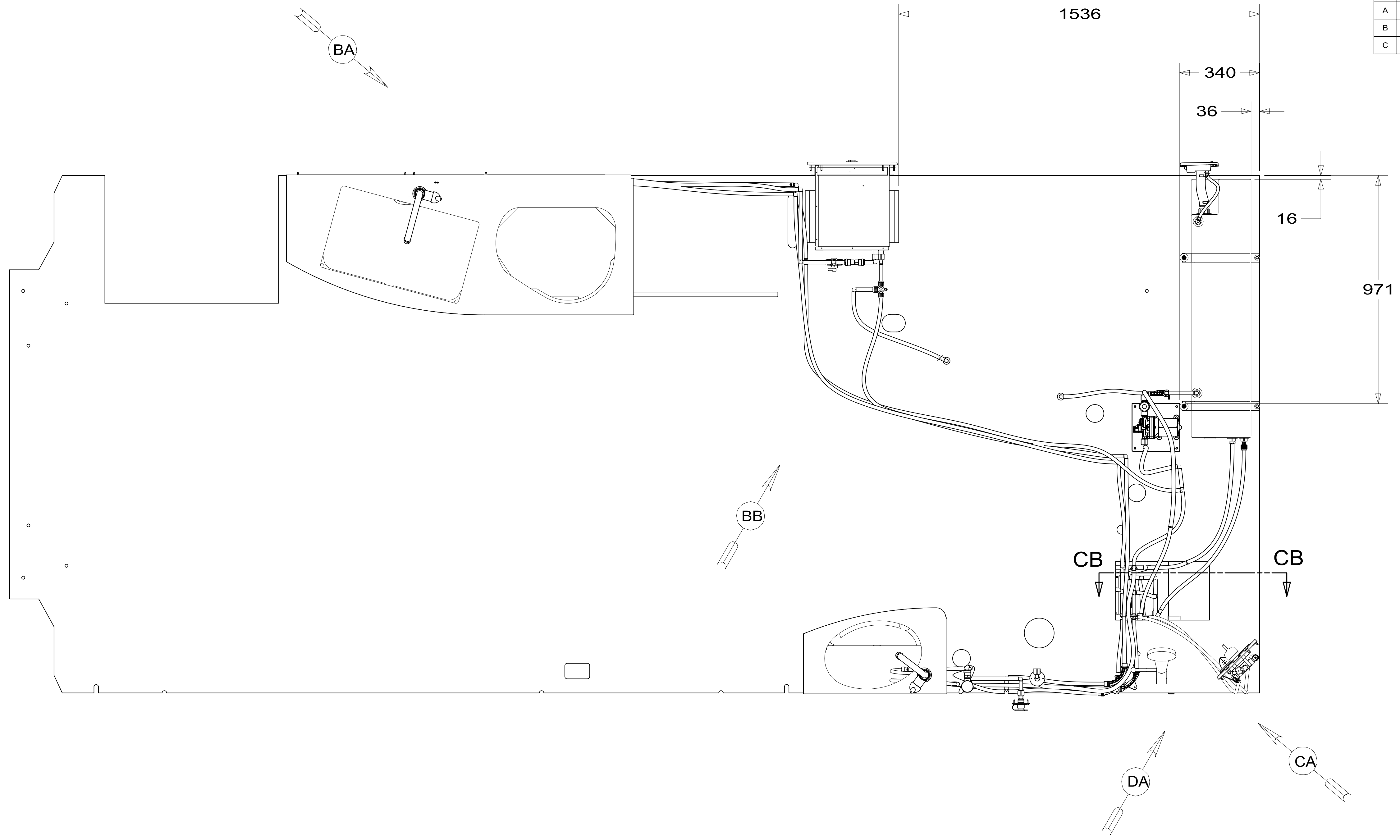


REV	ZONE	REVISION RECORD	DATE	DFTR-ORIG
A	---	INITIAL RELEASE	10/15/15	3650-3660
B	S3D6	REPLACE SPACER 13041-05 WITH -03, REPLACE SCREWS 000G11 WITH 000G39	11/12/15	3660
C	---	CHG LENGTH SH2	2-16-16	1600-2314



- 10 LAVATORY FAUCET SPOUT TO BE TURNED 180 DEGREES SO THE ON/OFF HANDLE IS FACING TOWARD THE CENTER OF THE COACH.
- 9 INSTALL BYPASS PLUG FOR SYSTEM TESTING AND SHIPPING.
- 8. ALL CRIMP FITTINGS TO 1/2" PEX TUBING REQUIRE 1/2" CLAMP 140171-03-000.
- 7. ALL CRIMP FITTINGS TO 5/8" PEX TUBING REQUIRE 5/8" CLAMP 140171-04-000.
- 6 LABEL HOT AND COLD SUPPLY TUBES AND TAPE FITTING TO TUBE BEFORE CABINET SET TO PREVENT MOVEMENT.
- 5 ADD PIPE WRAP (LADDER SCRAP 110157-02-000) INSULATION.
- 4 ADD TEFLON TAPE 010405-02-000.
- 3. ALL TUBING TO BE SECURED AT 1200 INTERVALS MAXIMUM WITH CLAMP 010495-01-000 AND SCREW 000G67-10-12U OR EQUIVALENT.
- 2. TUBING TO BE INSTALLED WITH SUFFICIENT SLOPE TO PROVIDE DRAINAGE TO NEAREST VALVE.
- 1. PLASTIC FITTINGS TO BE SEALED WITH SEALANT 084456-01-000.

- 1BU WTR HTR TKLS W/RECIRCUL PUMP
- 29B WATER PURIFIER

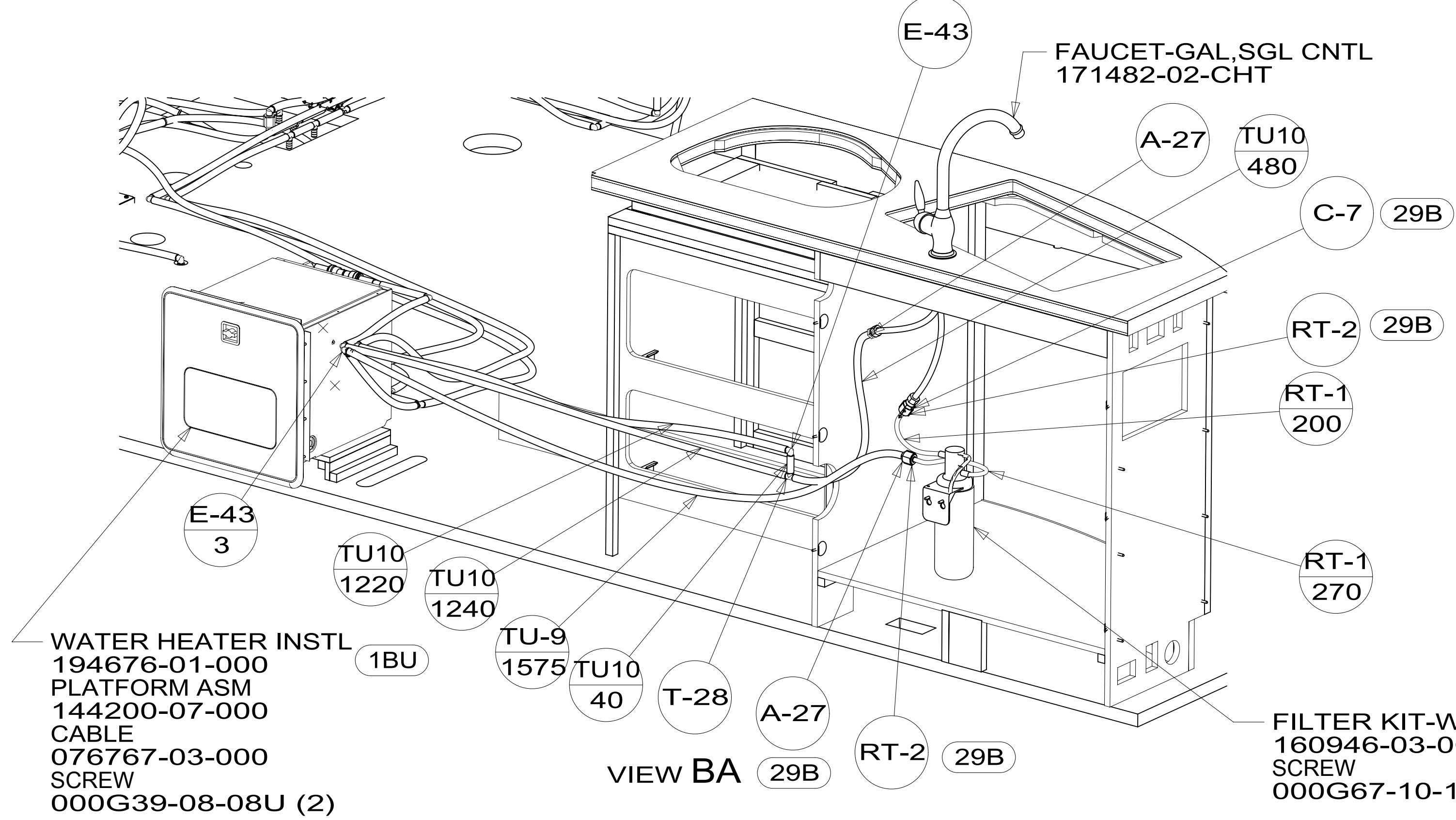
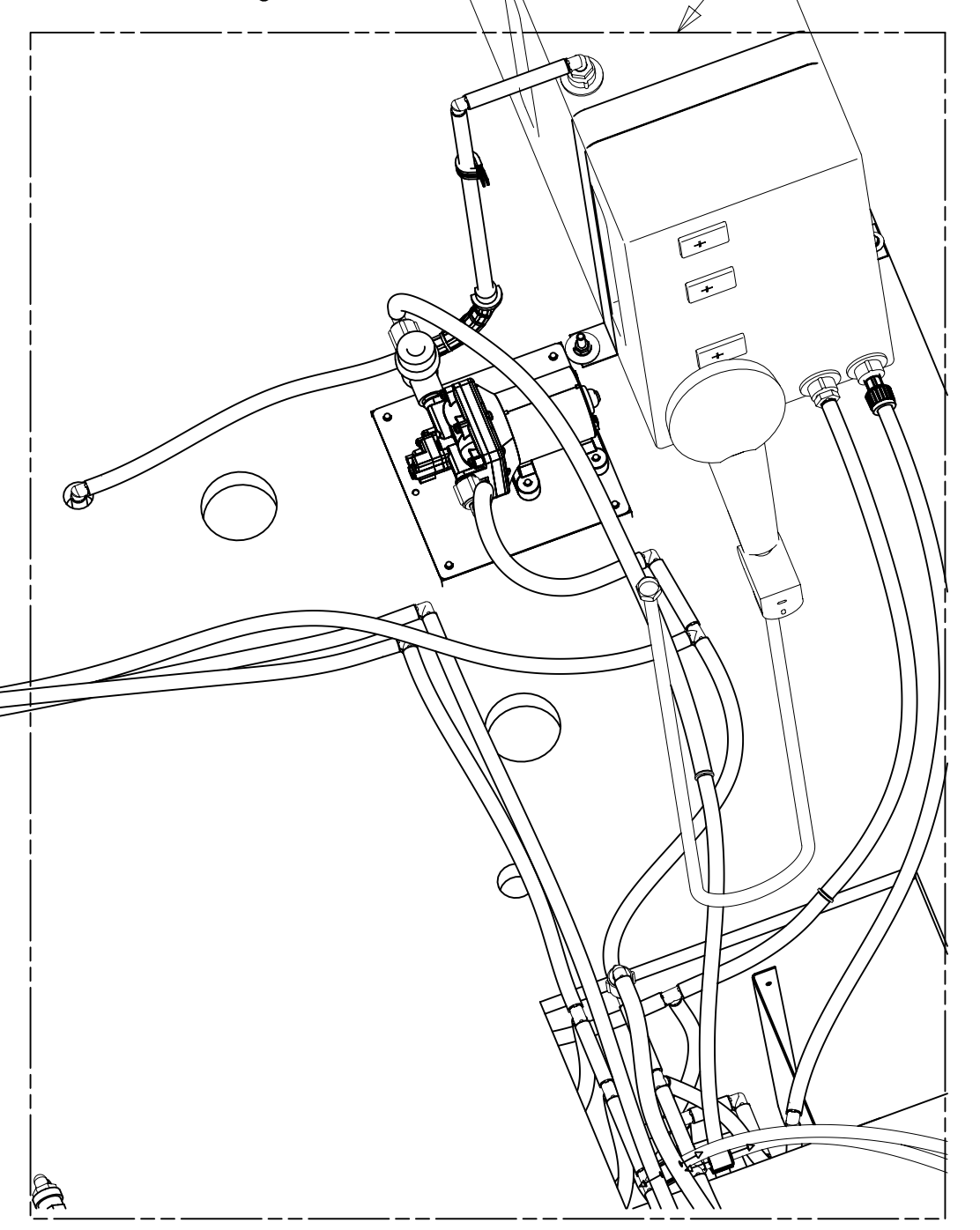
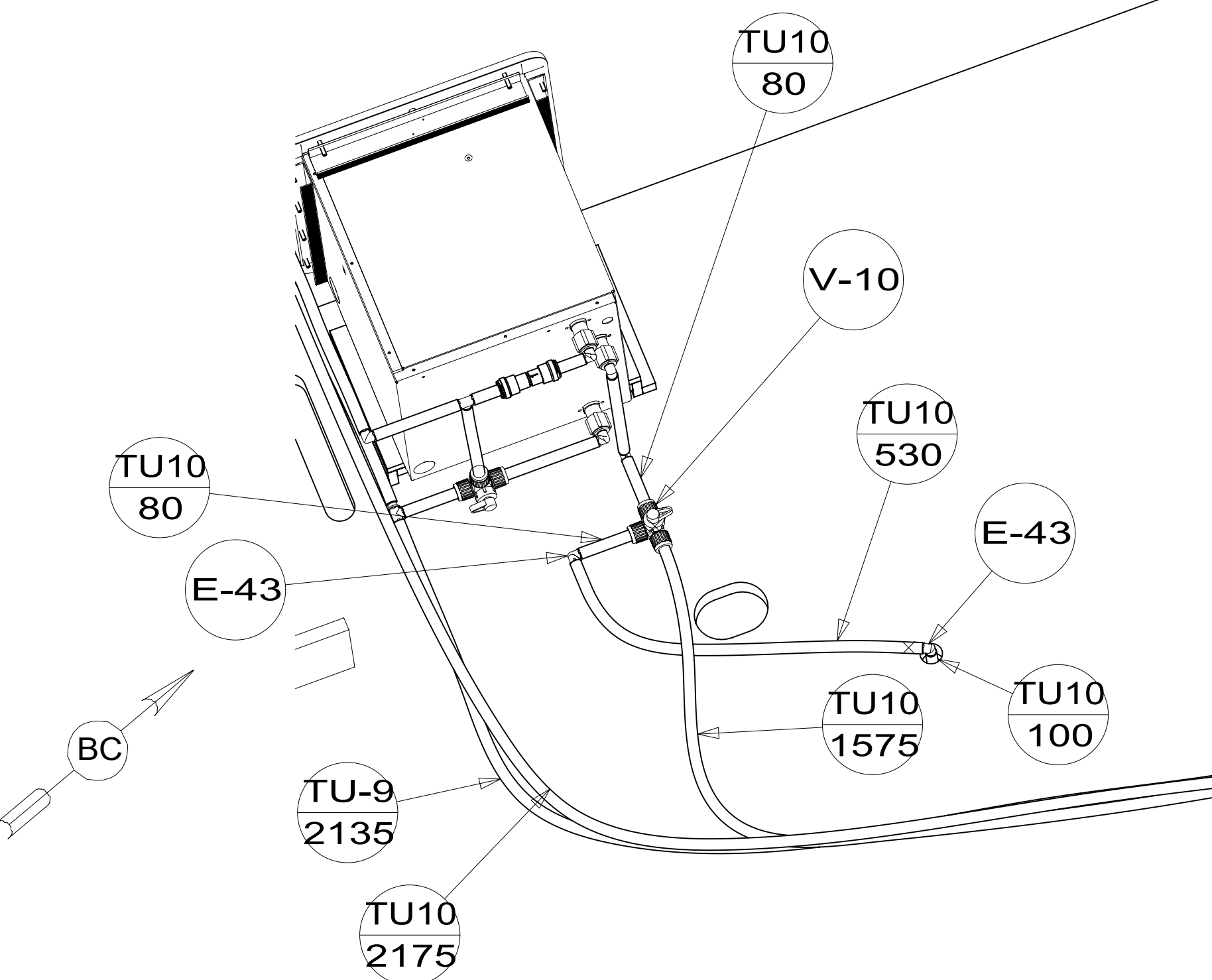
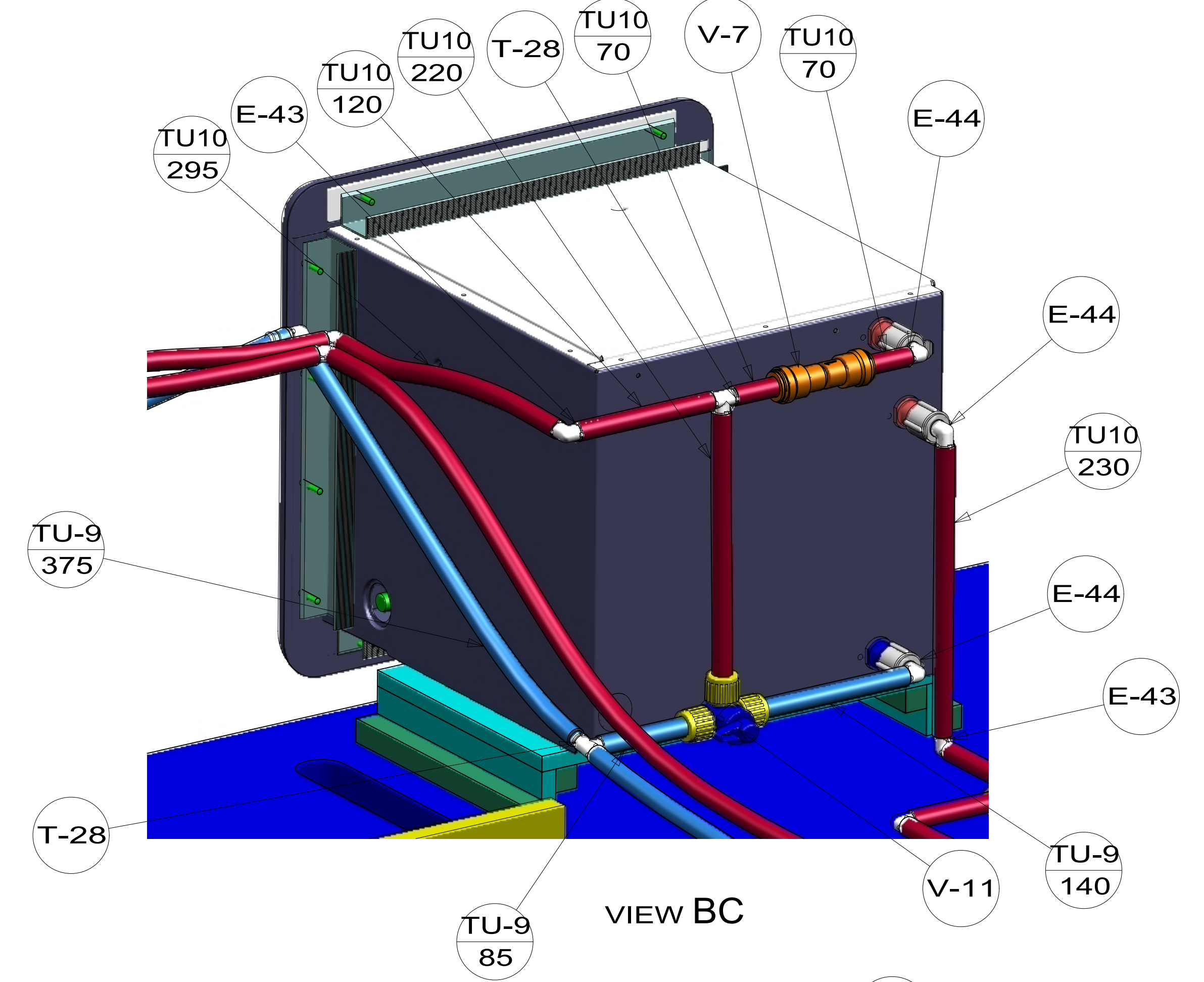
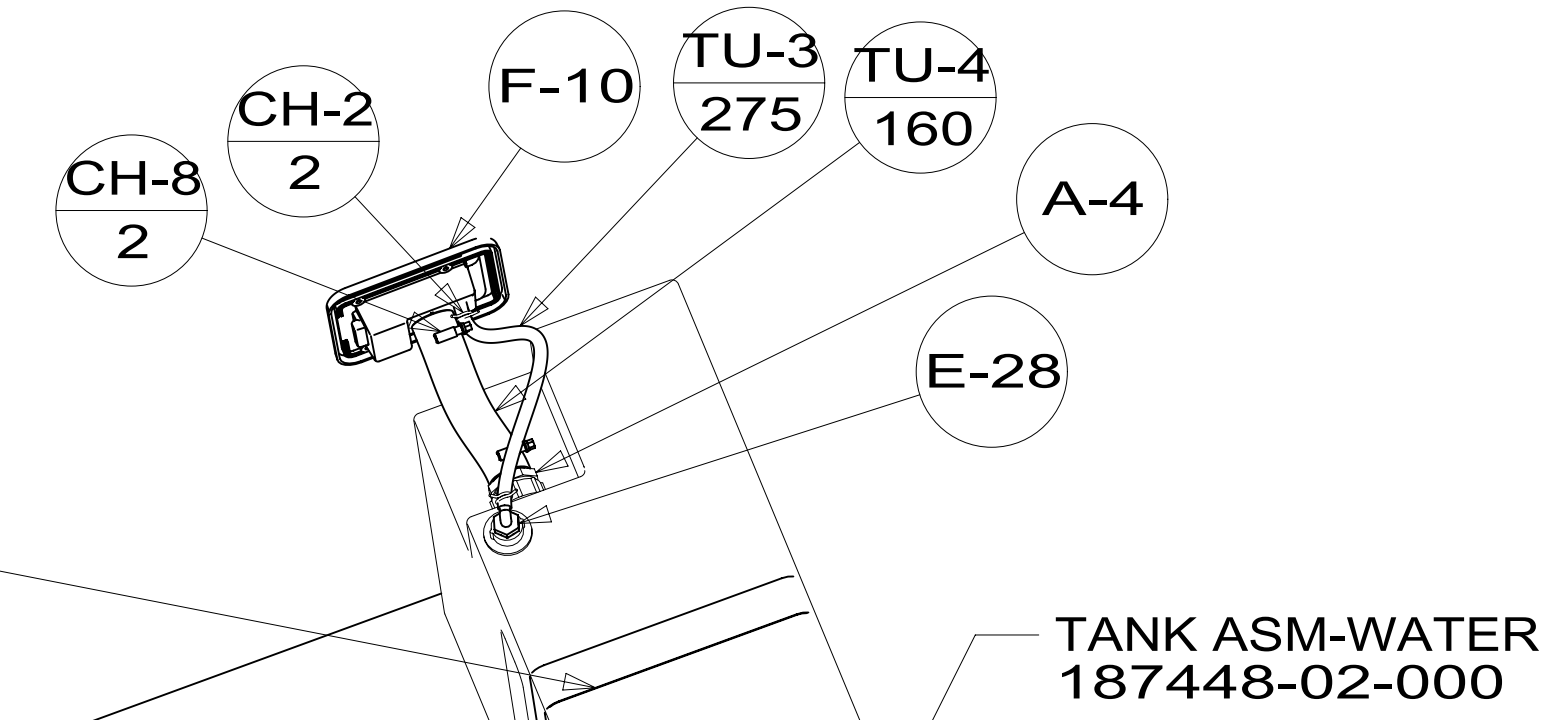
WINNEBAGO
COPYRIGHT 2016 WINNEBAGO INDUSTRIES, INC.

DSNR:	ALL DIMENSIONS ARE IN MILLIMETERS	
DFTR:	MATERIAL:	
UNSPECIFIED TOLERANCES:	WHOLE DIM (X) :	3
	ONE-PLACE (X.X) :	1.5
	TWO-PLACE (X.XX) :	0.50
	ANGLE :	1°
REFER TO ES0018 FOR FASTENER TIGHTENING GUIDELINES	WEIGHT: (LBS)	FIRST USED: (REF)
DESCRIPTION: WATER SYSTEM INSTL		
SHEET: 1 OF 4	ITEM/PART NO: 000180027 / 30087001000	REV:

X-X
FOR WATER CALLOUTS SEE DWG NO. 000209446 / 303369-01-000

300870

STRAP-TANK, WATER
 118994-26-CHT (2)
 SCREW
 000G42-04-24U (2)
 WASHER
 000E13-16-00U (2)
 SCREW
 000G39-10-08U(2)
 NUT
 000D39-05-00U(2)
 WASHER
 000E13-22-00U(2)



WATER HEATER INSTL
 194676-01-000
 PLATFORM ASM
 144200-07-000
 CABLE
 076767-03-000
 SCREW
 000G39-08-08U (2)

DESCRIPTION: WATER SYSTEM INSTL		
SHEET: 2 OF 4	ITEM/PART NO: 000180027 / 30087001000	REV

300870

PANEL-SERVICE CENTER
166877-13-CHT

PANEL-SIDE, COMPARTMENT
170356-13-CHT
SCREW
000G39-10-08U (5)

PANEL-ELECTRICAL
151707-10-CHT

DB

SH-1

TU-9
200

E-43

TU-9
65

CLAMP
010495-04-000
RIVET
113133-03-CHT

CLAMP
010495-04-000 (2)
RIVET
113133-03-CHT (2)

TU-9
70

E-43

TU-9
210

TU-9
85

A-28 A-13 CH-2

A-28
2

TU-9
120

TU10
125

E-43

CLAMP
010495-04-000 (3)
RIVET
113133-03-CHT (3)

V-23

V-23

SCREW
000G11-08-12U (3)

F-14

TU-9
75

T-28

T-28

TU-9
40

CI-3

A-5

CH-2

TU-3
1000

VIEW DA

V-23

E-43

TU-9
60

TU-9
40

TU-9
80

E-43

TU-9
155

E-43

TU-9
165

TU-9
100

E-43

TU-9
100

TU10
105

TU10
100

VIEW DB

TU-9
40

E-43

TU-9
40

DETAIL DC

T-28

TU-9
60

TU-9
125

E-43

A-28

DESCRIPTION:		
WATER SYSTEM INSTL		
SHEET:	ITEM/PART NO.:	REV
4 OF 4	000180027 / 30087001000	

300870 A