

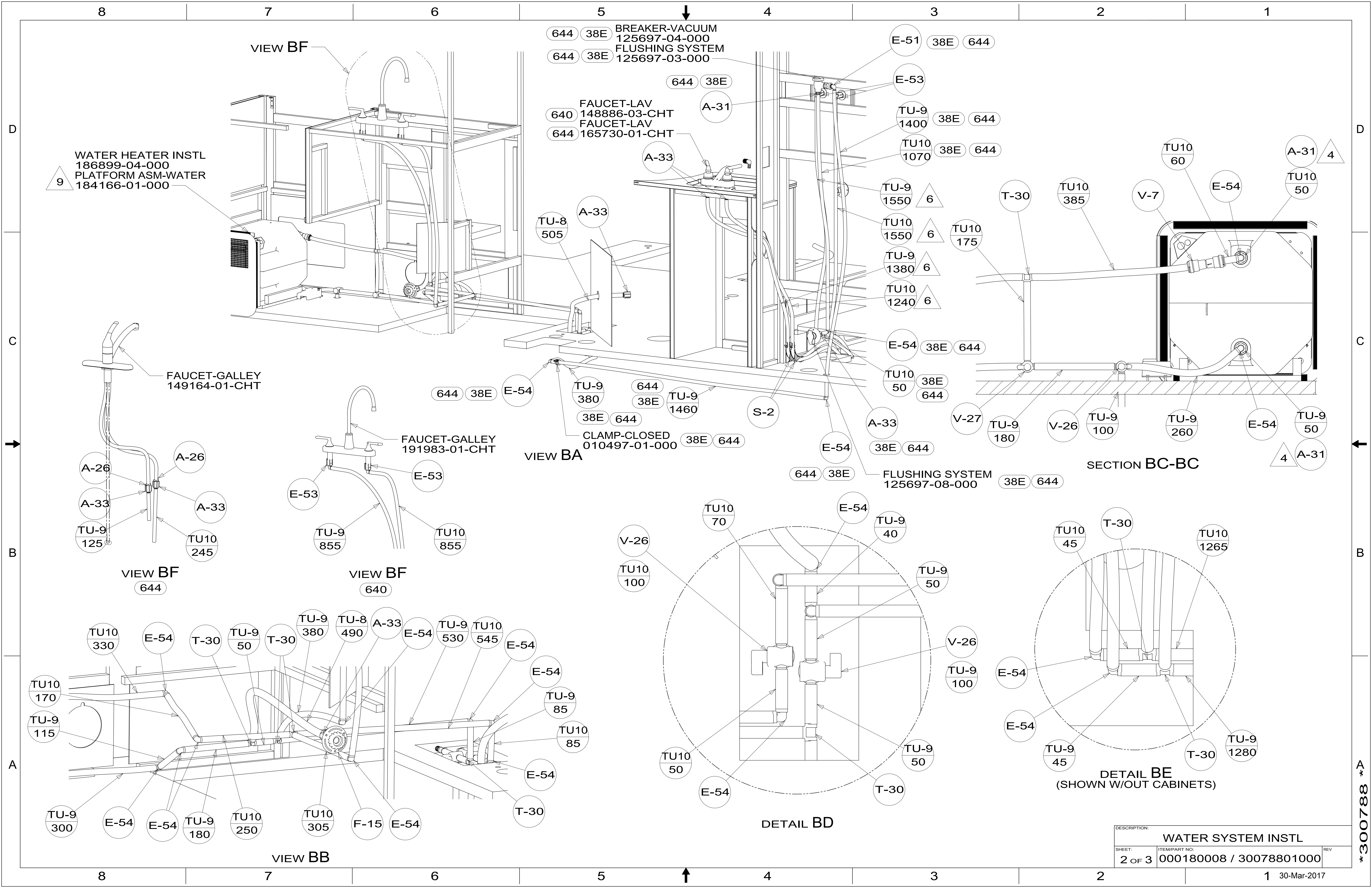
- 9 FASTEN PLATFORM TO FLOOR AFTER SIDEWALL IS SET AND HEATER IS ATTACHED TO WALL.
- 8. ALL CRIMP FITTINGS TO 1/2" PEX TUBING REQUIRE 1/2" CLAMP 140171-03-000.
- 7. ALL CRIMP FITTINGS TO 5/8" PEX TUBING REQUIRE 5/8" CLAMP 140171-04-000.
- 6 LABEL HOT AND COLD SUPPLY TUBES AND TAPE FITTING TO TUBE BEFORE CABINET SET TO PREVENT MOVEMENT.
- 5 ADD PIPE WRAP (LADDER SCRAP 110157-02-000) INSULATION.
- 4 ADD TEFLON TAPE 010405-02-000.
- 3. ALL TUBING TO BE SECURED AT 1200 INTERVALS MAXIMUM WITH CLAMP 010495-01-000 AND SCREW 000G67-10-12U OR EQUIVALENT.
- 2. TUBING TO BE INSTALLED WITH SUFFICIENT SLOPE TO PROVIDE DRAINAGE TO NEAREST VALVE.
- 1. PLASTIC FITTINGS TO BE SEALED WITH SEALANT 084456-01-000.

- 38E CONVENIENCE PACKAGE
- 640 RENTAL - GAH WITHOUT
- 644 GREAT ALASKAN RENTAL PACKAGE

X-X
FOR WATER CALLOUTS SEE DWG NO. 000209446 / 303369-01-000

WINNEBAGO COPYRIGHT 2017 WINNEBAGO INDUSTRIES, INC.			
DSNR:		ALL DIMENSIONS ARE IN MILLIMETERS	
DIFTR:			
UNSPECIFIED TOLERANCES:		MATERIAL:	
WHOLE DIM (X)	3		
ONE-PLACE (X.X)	1.5		
TWO-PLACE (X.XX)	0.50		
ANGLE	1°		
REFER TO ES0018 FOR FASTENER TIGHTENING GUIDELINES		WEIGHT: (LBS)	FIRST USED: (REF)
			16 325B
DESCRIPTION: WATER SYSTEM INSTL			
SHEET: 1 OF 3	ITEM/PART NO: 000180008 / 30078801000	REV:	
REF:		1 30-Mar-2017	

300788



644 38E BREAKER-VACUUM
125697-04-000
644 38E FLUSHING SYSTEM
125697-03-000

640 FAUCET-LAV
148886-03-CHT
644 FAUCET-LAV
165730-01-CHT

9 WATER HEATER INSTL
186899-04-000
PLATFORM ASM-WATER
184166-01-000

FAUCET-GALLEY
149164-01-CHT

FAUCET-GALLEY
191983-01-CHT

CLAMP-CLOSED
010497-01-000

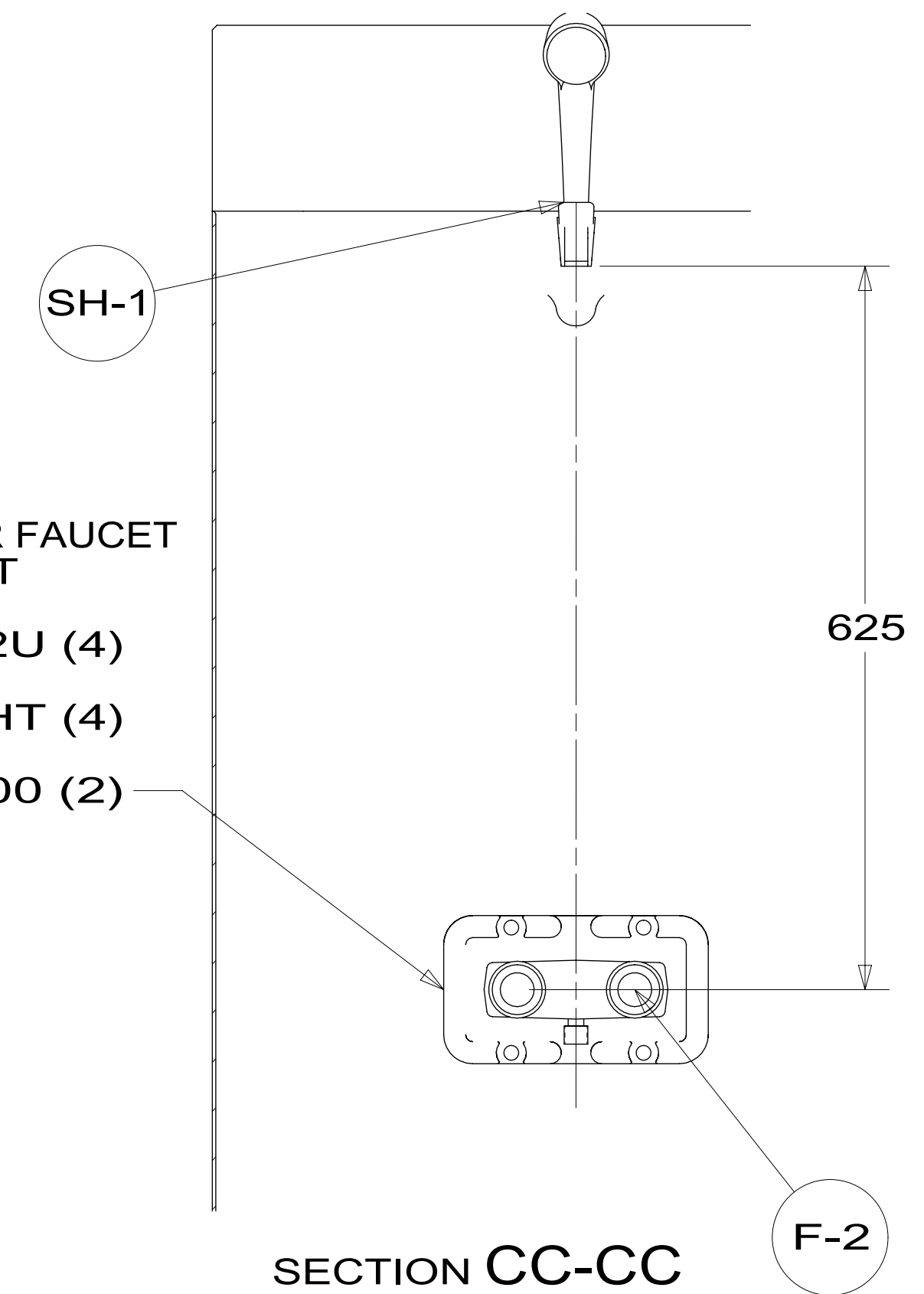
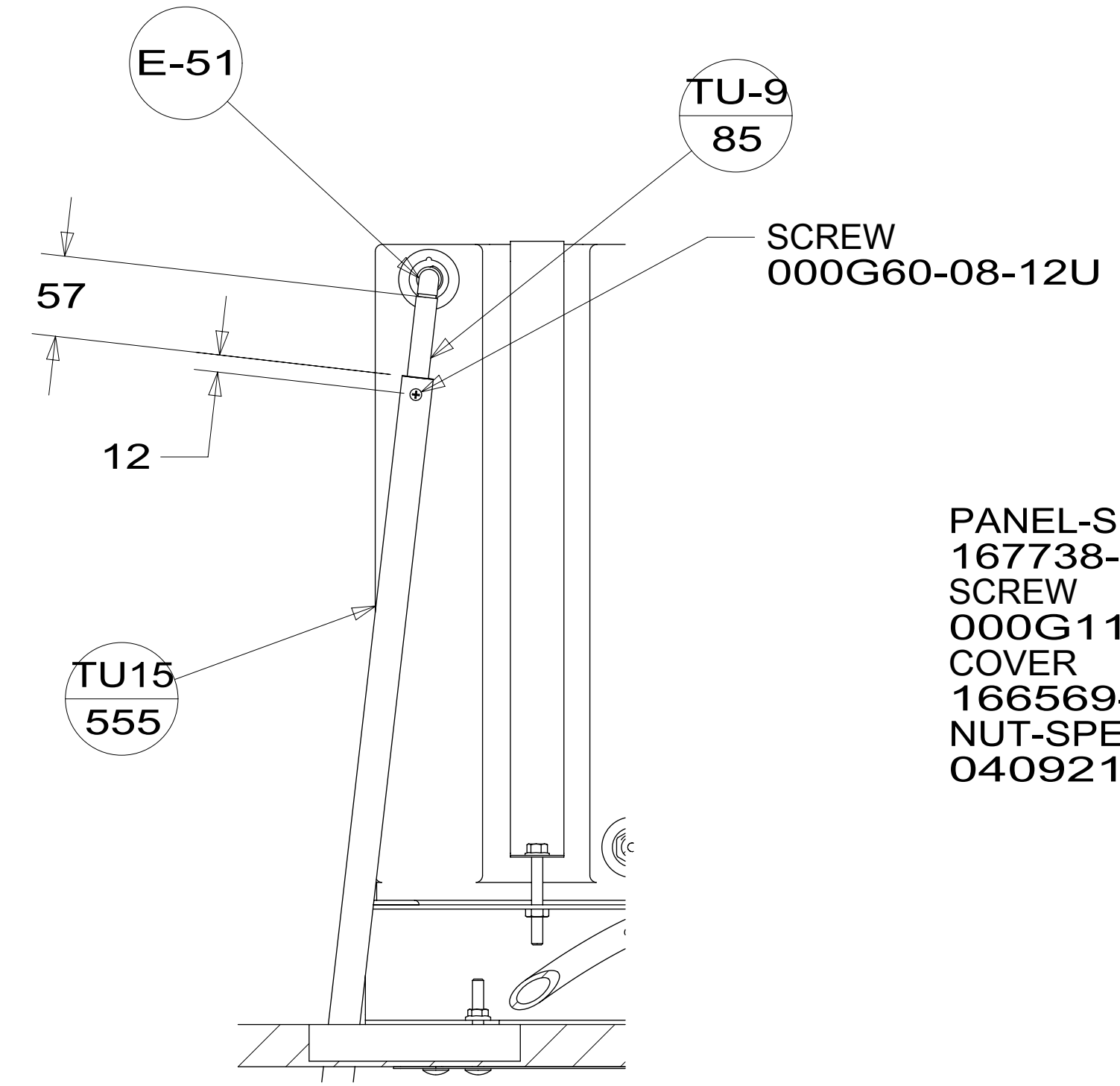
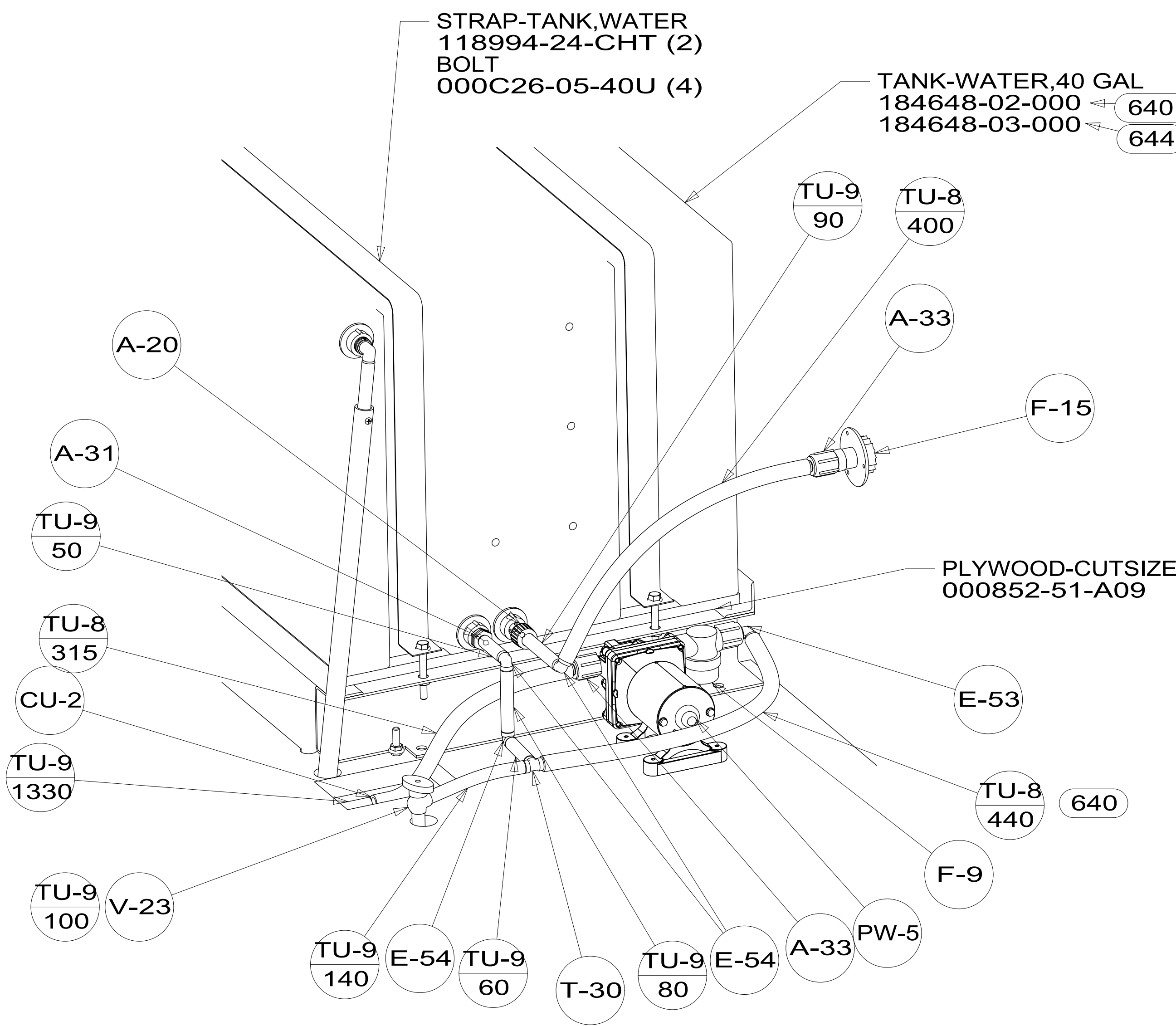
FLUSHING SYSTEM
125697-08-000

DESCRIPTION:		
WATER SYSTEM INSTL		
SHEET:	ITEM/PART NO.:	REV
2 OF 3	000180008 / 30078801000	

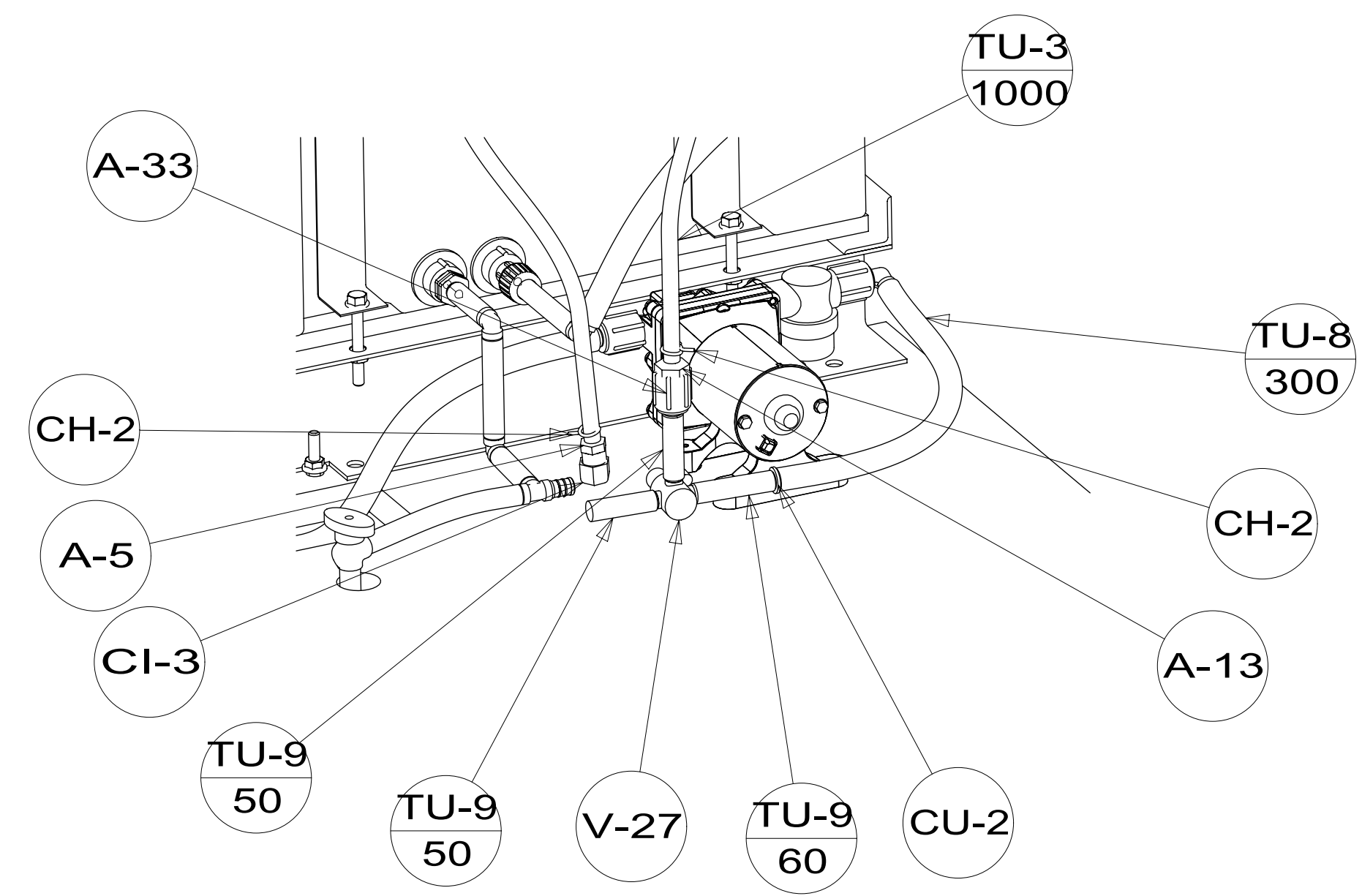
300788

1 30-Mar-2017

8 7 6 5 4 3 2 1

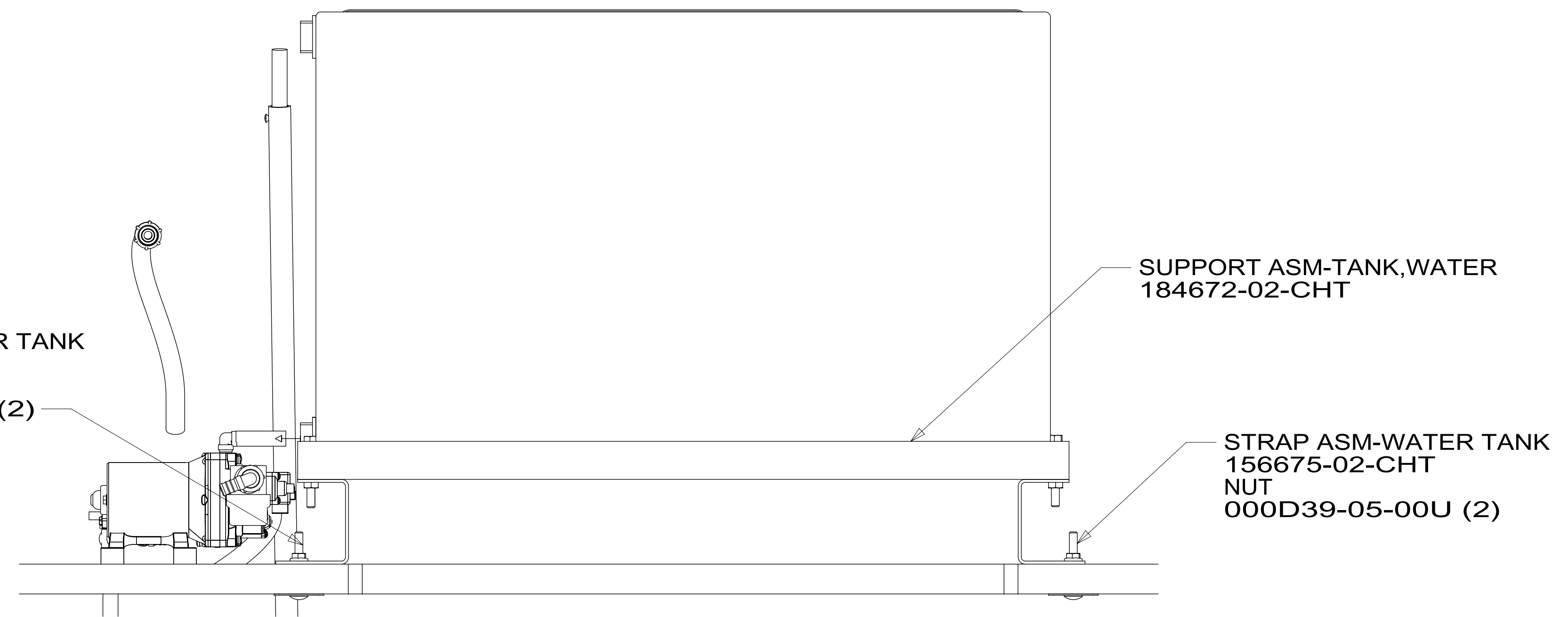


VIEW CA



VIEW CE
644

STRAP ASM-WATER TANK
156675-02-CHT
NUT
000D39-05-00U (2)



VIEW CD

DESCRIPTION: WATER SYSTEM INSTL		
SHEET: 3 OF 3	ITEM/PART NO: 000180008 / 30078801000	REV

8 7 6 5 4 3 2 1 30-Mar-2017

*300788