

8 7 6 5 4 3 2 1

D

C

B

A

D

C

B

A

2 110V RCP (REF)

1 COAX PLATE (REF)

TV-28" FLAT PANEL ELED,HDTV 195082-01-000

CLAMP 010497-03-000 (4)

1 ANTENNA POWER BOOST (REF)

BRACKET-TV SWING MOUNT 179241-03-CHT
SCREW 000G39-10-12U (8)
PLATE-MOUNTING,TV 191131-04-CHT
NUT 000D65-10-00U (4)
BOLT-ADJUSTING 058786-04-000 (2)
NUT 000D39-05-00U (2)
SCREW 0MG02U-06-016 (4)
SPACER-NYLON 086285-01-000 (4)

CONDUIT-CONVOLUTE 041953-03-000 (1000 MM)

TIE-WIRE 008343-04-000 (2)

BRACKET-TV SWING MOUNT (REF)

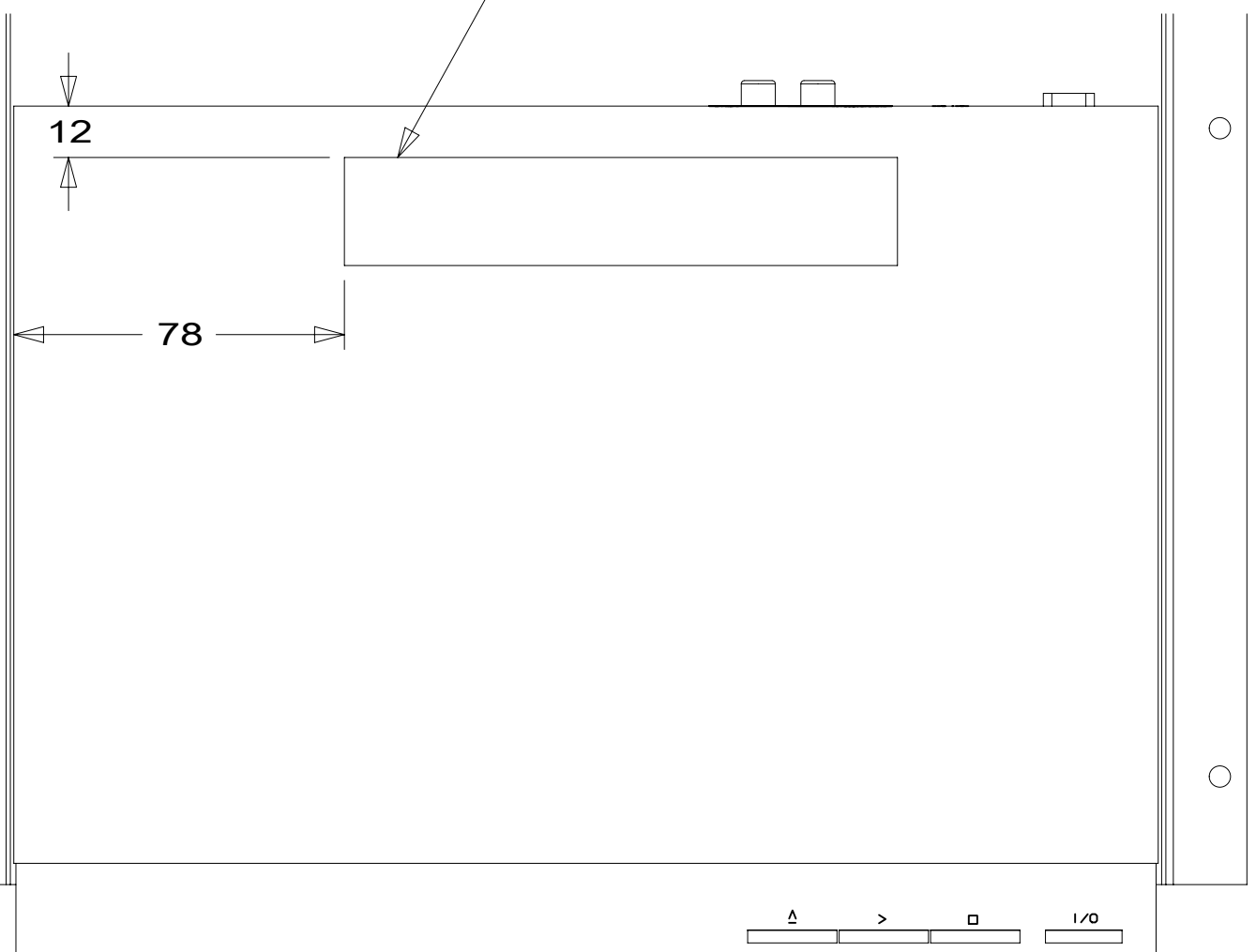
117

166

VIEW AB (TV NOT SHOWN)

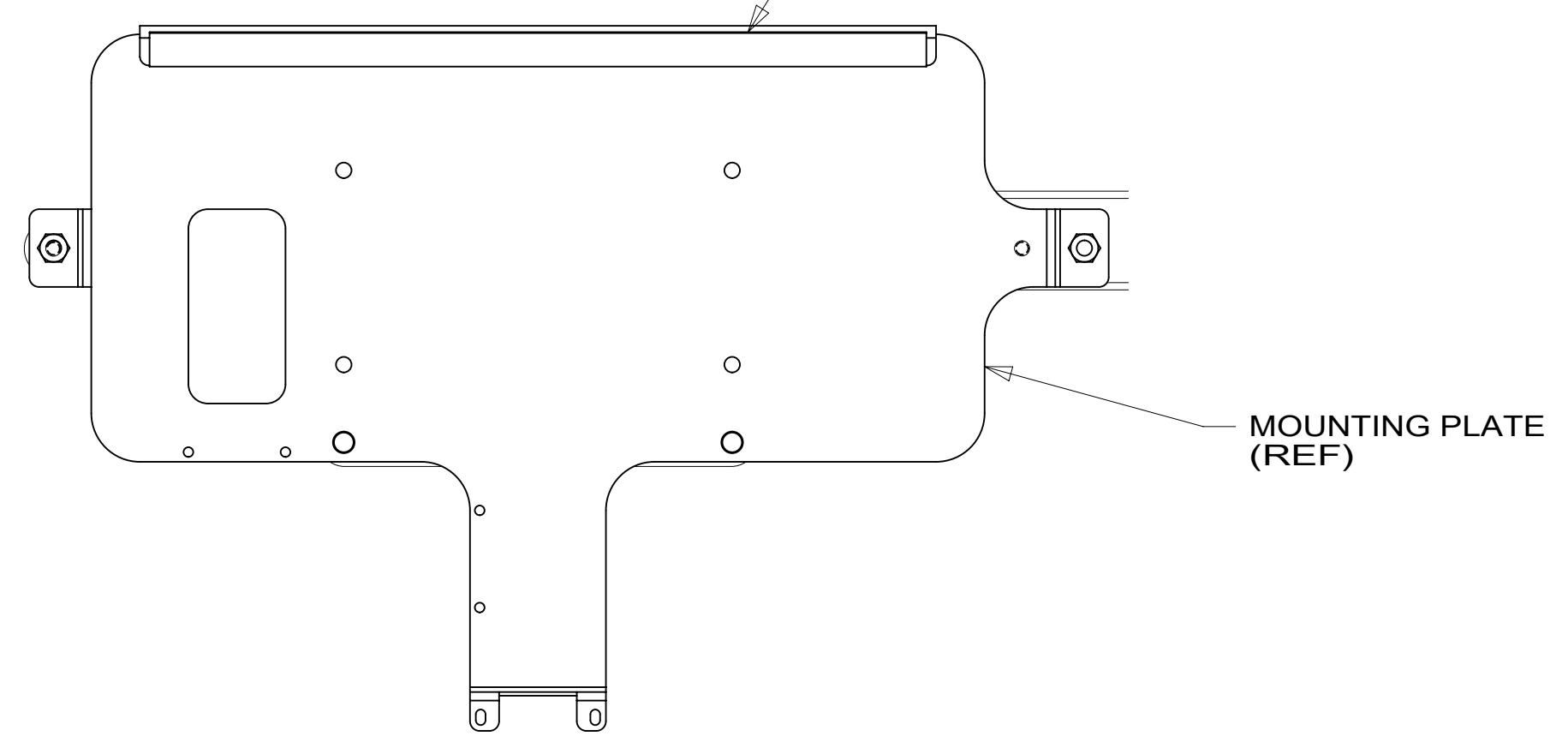
DVD PLAYER W/ HDMI OUT 186774-01-000
BRACKET-DVD PLAYER 184814-03-CHT
SCREW 000G67-10-12U (6)
FASTENER-DUAL LOCK 085774-01-000 (130 MM)
085774-02-000 (130 MM)

FASTENER-DUAL LOCK (REF) 3



VIEW AA

TAPE-FOAM 076322-22-000 (400 MM) 4



VIEW AC

MOUNTING PLATE (REF)

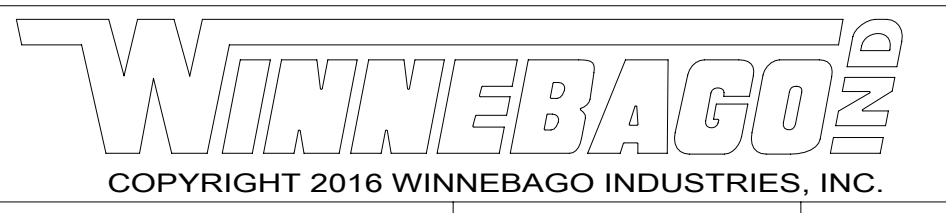
- NOTES:
- 4 PREP SURFACE WITH 87211-01-000.
 - 3 ATTACH FASTENER-DUAL LOCK TO DVD PLAYER POSITIONED AS SHOWN.
 - 2 SEE WIRING INSTL-BODY, 110V FOR ADDITIONAL INFORMATION.
 - 1 SEE WIRING INSTL-BODY, 12V FOR ADDITIONAL INFORMATION.

FOR ELECTRICAL TORQUE SPECIFICATIONS SEE DWG NO. 128783-01-000

FOR ELECTRICAL CALLOUTS SEE DWG NO. 121339-01-000

- 38E CONVENIENCE PACKAGE
- 68R TV - FRONT
- 265 CODES/STANDARDS-CSA/CMVSS
- 1B1 CODES/STANDARDS USA

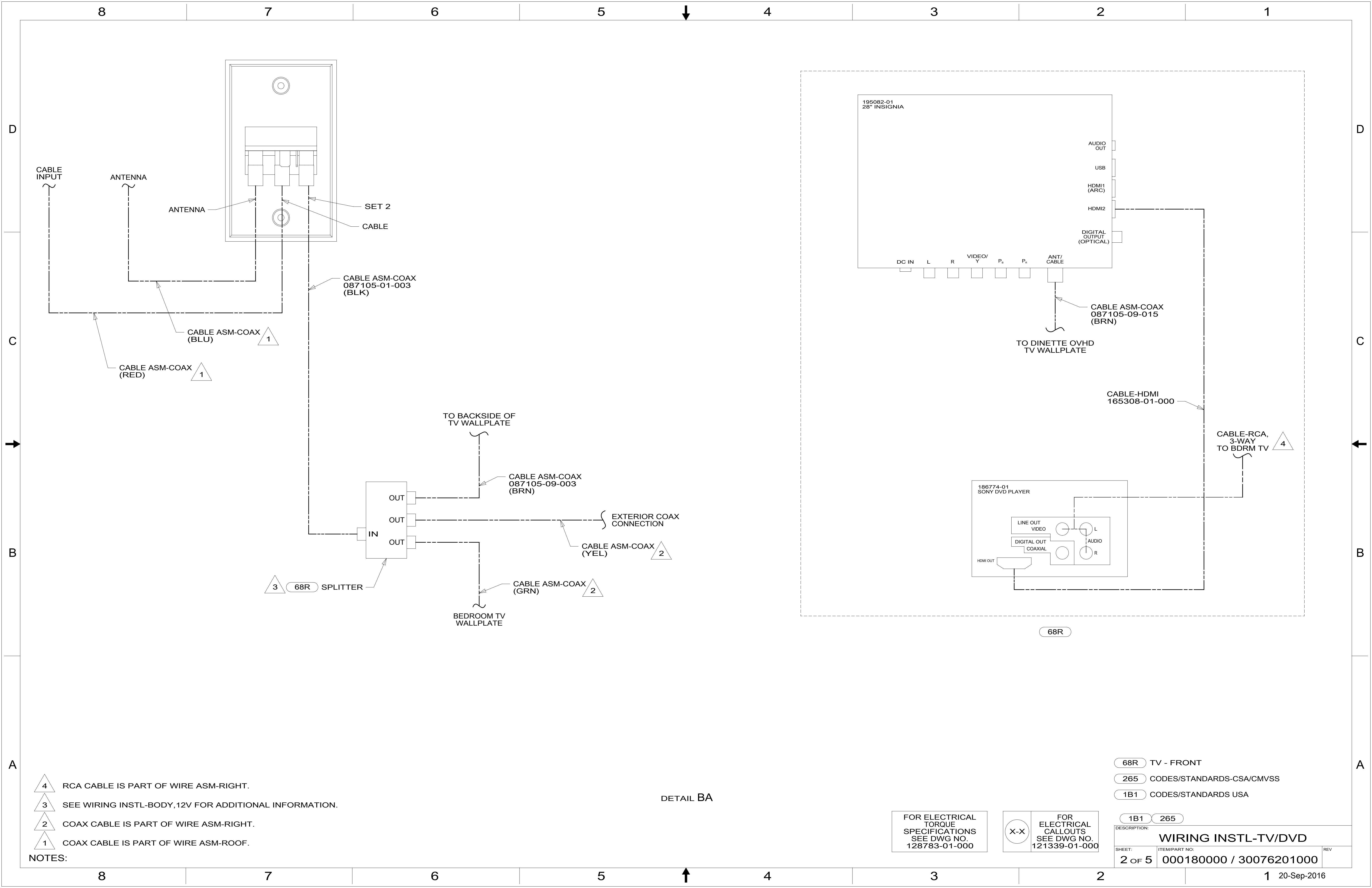
1B1 265 68R 38E



DSNR:	ALL DIMENSIONS ARE IN MILLIMETERS	
DFFR:	MATERIAL:	
UNSPECIFIED TOLERANCES:		
WHOLE DIM (X)	: 3	
ONE-PLACE (X.X)	: 1.5	
TWO-PLACE (X.XX)	: 0.50	
ANGLE	: 1°	
REFER TO ES0018 FOR FASTENER TIGHTENING GUIDELINES	WEIGHT: (LBS)	FIRST USED:
		16 325B

DESCRIPTION: WIRING INSTL-TV/DVD		
SHEET: 1 OF 5	ITEM/PART NO: 000180000 / 30076201000	REV:

8 7 6 5 4 3 2 1



- NOTES:
- △ 4 RCA CABLE IS PART OF WIRE ASM-RIGHT.
 - △ 3 SEE WIRING INSTL-BODY, 12V FOR ADDITIONAL INFORMATION.
 - △ 2 COAX CABLE IS PART OF WIRE ASM-RIGHT.
 - △ 1 COAX CABLE IS PART OF WIRE ASM-ROOF.

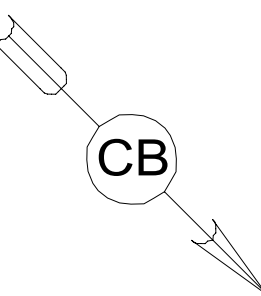
DETAIL BA

FOR ELECTRICAL TORQUE SPECIFICATIONS SEE DWG NO. 128783-01-000

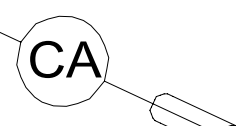
FOR ELECTRICAL CALLOUTS SEE DWG NO. 121339-01-000

- 68R TV - FRONT
- 265 CODES/STANDARDS-CSA/CMVSS
- 1B1 CODES/STANDARDS USA

DESCRIPTION: WIRING INSTL-TV/DVD		
SHEET: 2 OF 5	ITEM/PART NO: 000180000 / 30076201000	REV



TV-24" FLAT
PANEL DLED,HDTV
194363-01-000 2



1 COAX PLATE
(REF)

110V RCP
(REF) 3

114

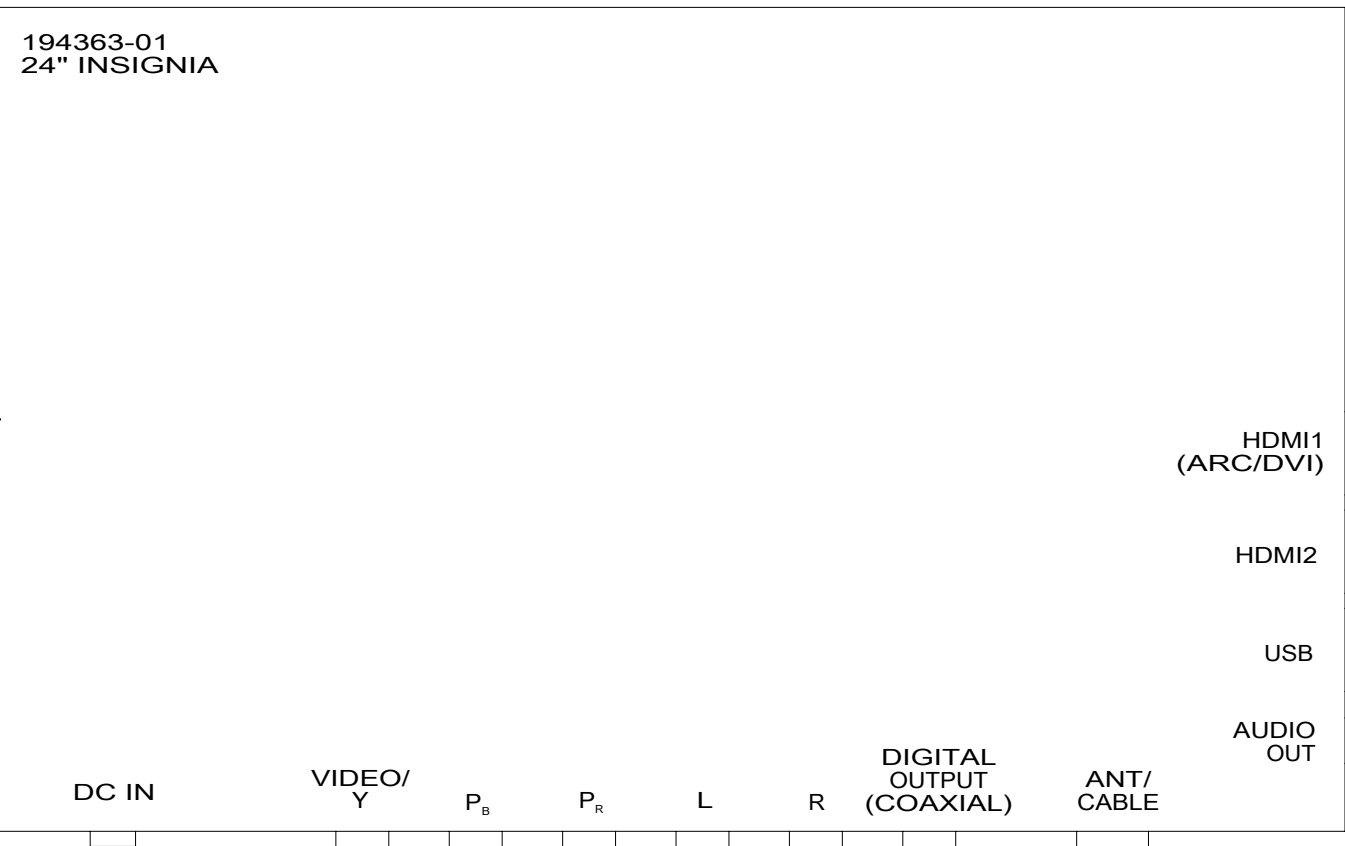
251

BRACKET-TV
158394-22-CHT
SCREW
000G39-10-12U (6)
PLATE-MOUNTING
163321-10-CHT
SCREW
OMG02U-06-016 (4)
000G39-10-12U (2)
000G11-08-20U (2)

VIEW CA
(TV NOT SHOWN)

POWER CORD
(TV)

RCP-
COMPONENT



ANTENNA WALL PLATE
(REF)

CABLE-RCA,3-WAY
(PART OF WIRE
ASM-RIGHT)

CABLE ASM-COAX
87105-01-006

VIEW CB

FOR ELECTRICAL
TORQUE
SPECIFICATIONS
SEE DWG NO.
128783-01-000

FOR
ELECTRICAL
CALLOUTS
SEE DWG NO.
121339-01-000

- 68X TV - BEDROOM
- 265 CODES/STANDARDS-CSA/CMVSS
- 1B1 CODES/STANDARDS USA

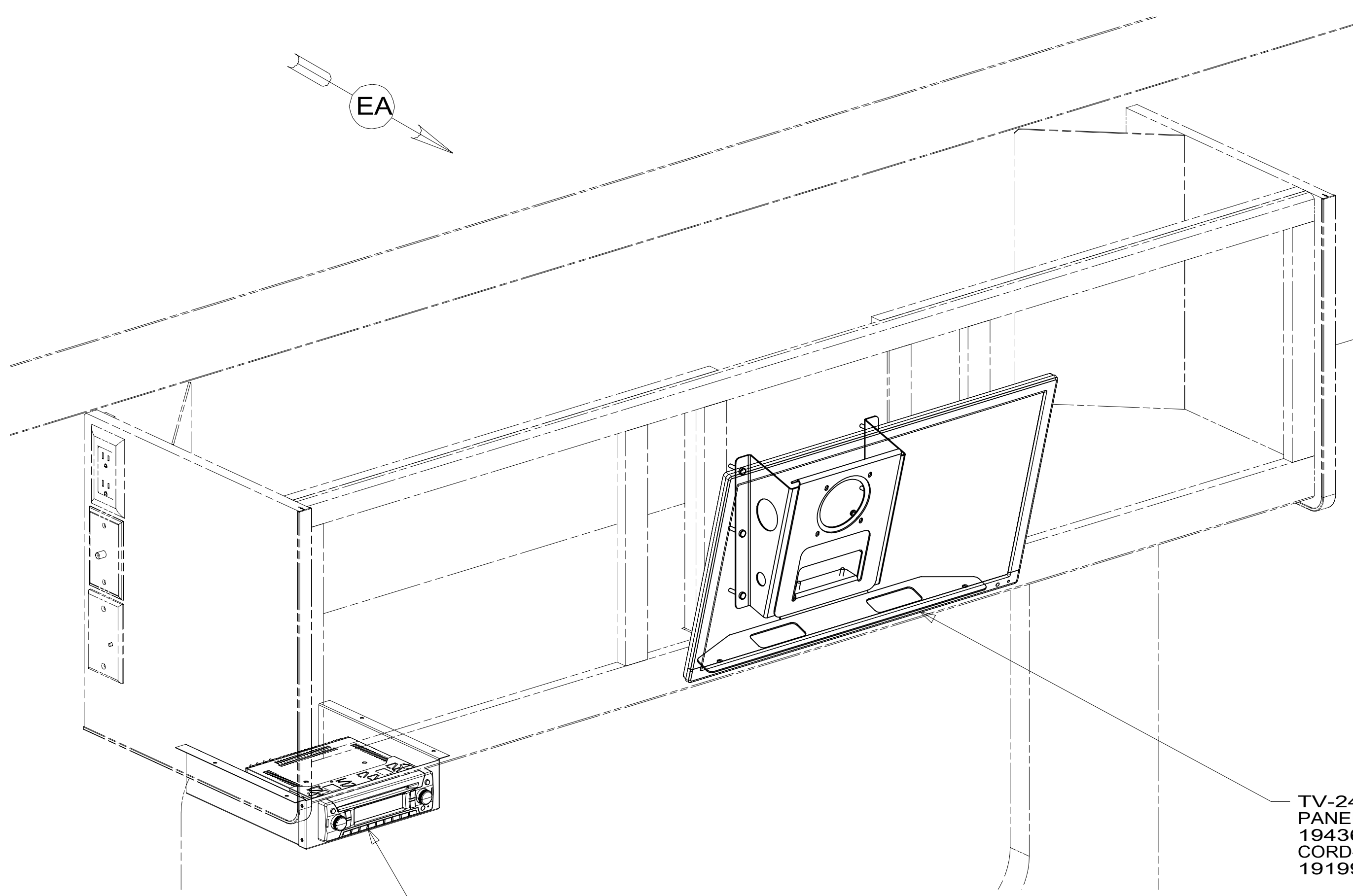
DESCRIPTION: WIRING INSTL-TV/DVD		
SHEET: 3 OF 5	ITEM/PART NO: 000180000 / 30076201000	REV

- NOTES:
- 3 SEE WIRING INSTL-BODY,110V FOR ADDITIONAL INFORMATION.
 - 2 USE SCREWS PROVIDED WITH TV TO ATTACH TV TO MOUNTING PLATE.
 - 1 SEE WIRING INSTL-BODY,12V FOR ADDITIONAL INFORMATION.

8 7 6 5 4 3 2 1

D
C
B
A

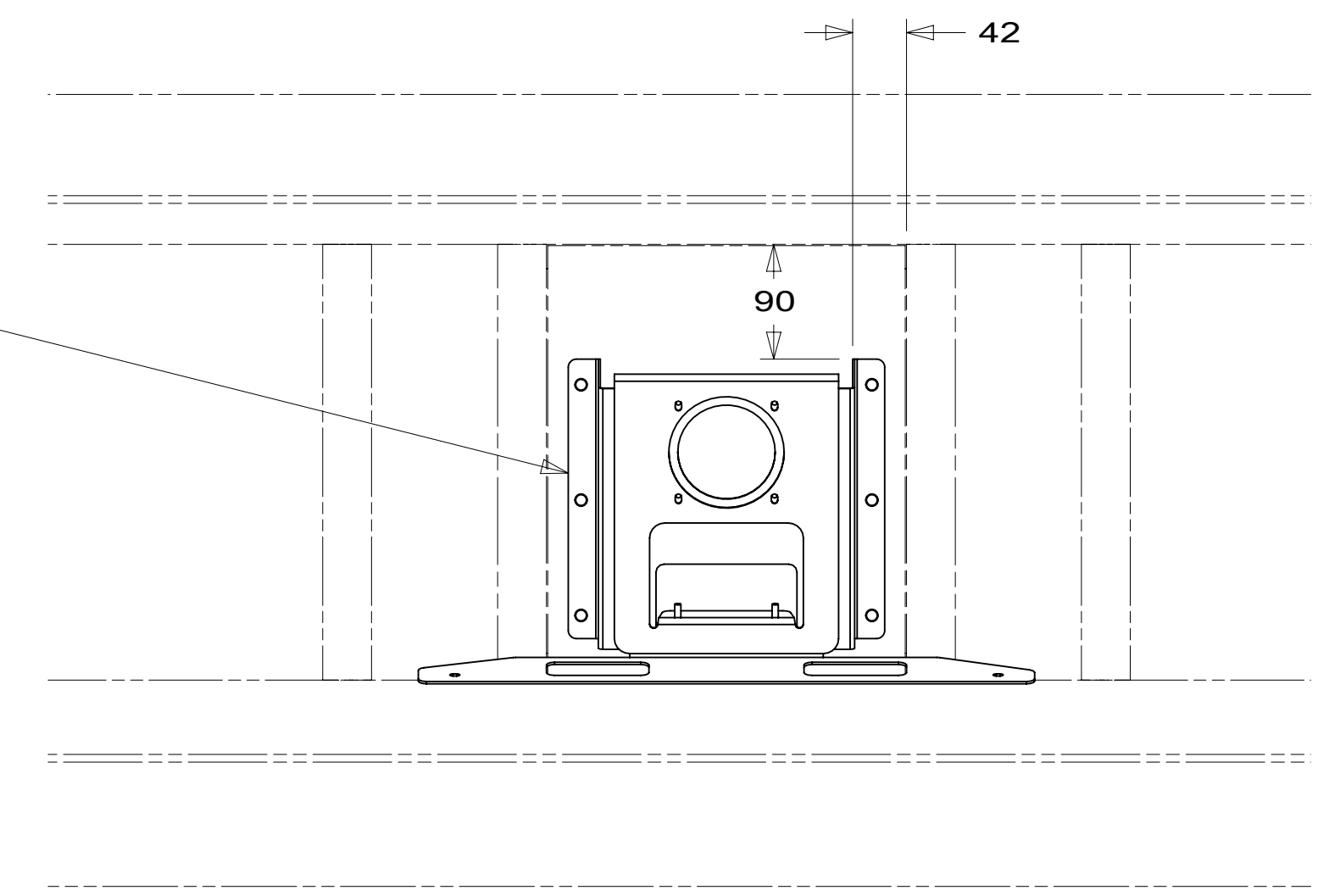
D
C
B
A



RADIO-AM/FM/CD/DVD/RMT
302630-01-000
BRACKET-DVD PLAYER
184814-02-CHT
BRACKET-DVD PLAYER
187490-01-CHT
SUPPORT-RADIO,REAR
181725-02-CHT
SCREW
000G67-10-12U (6)
SCREW
000G39-08-08U (4)

TV-24",FLAT
PANEL DLED,HDTV
194363-01-000
CORD-POWER,12VDC
191991-01-000

BRACKET-TV
158394-22-CHT
SCREW
000G39-10-16U (6)
PLATE-MTNG,TV
163321-10-CHT
SCREW
0MG02U-06-016 (4)
000G39-10-12U (2)
000G11-08-20U (2)



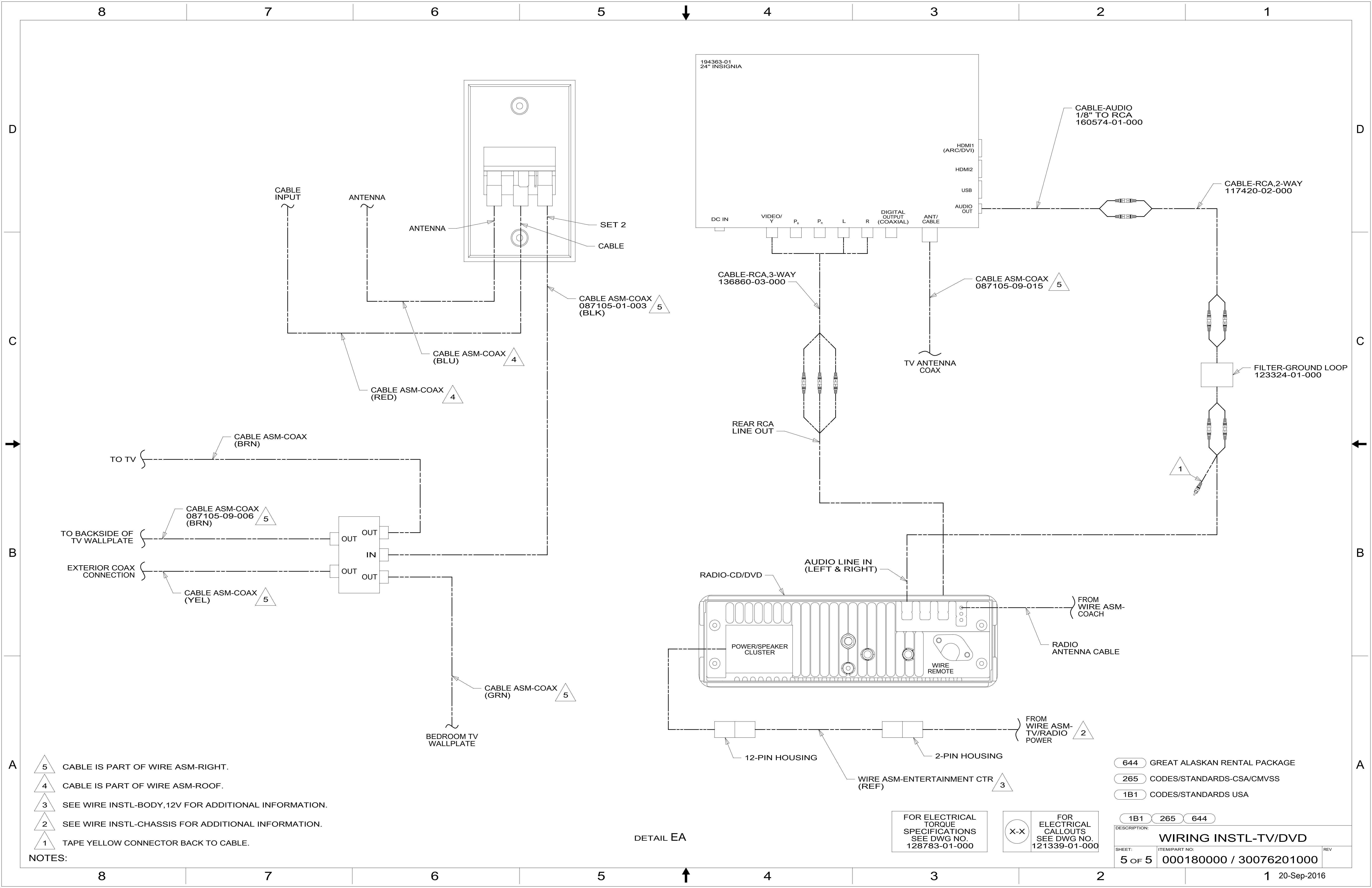
VIEW DA
(TV NOT SHOWN)

- 644 GREAT ALASKAN RENTAL PACKAGE
- 265 CODES/STANDARDS-CSA/CMVSS
- 1B1 CODES/STANDARDS USA

FOR ELECTRICAL
TORQUE
SPECIFICATIONS
SEE DWG NO.
128783-01-000

FOR
ELECTRICAL
CALLOUTS
SEE DWG NO.
121339-01-000

DESCRIPTION:	1B1 265 644	
WIRING INSTL-TV/DVD		
SHEET:	ITEM/PART NO:	REV
4 OF 5	000180000 / 30076201000	



- NOTES:
- 5 CABLE IS PART OF WIRE ASM-RIGHT.
 - 4 CABLE IS PART OF WIRE ASM-ROOF.
 - 3 SEE WIRE INSTL-BODY, 12V FOR ADDITIONAL INFORMATION.
 - 2 SEE WIRE INSTL-CHASSIS FOR ADDITIONAL INFORMATION.
 - 1 TAPE YELLOW CONNECTOR BACK TO CABLE.

DETAIL EA

FOR ELECTRICAL TORQUE SPECIFICATIONS SEE DWG NO. 128783-01-000

FOR ELECTRICAL CALLOUTS SEE DWG NO. 121339-01-000

- 644 GREAT ALASKAN RENTAL PACKAGE
- 265 CODES/STANDARDS-CSA/CMVSS
- 1B1 CODES/STANDARDS USA

DESCRIPTION:	1B1 265 644	
WIRING INSTL-TV/DVD		
SHEET:	ITEM/PART NO:	REV
5 OF 5	000180000 / 30076201000	