

8 7 6 5 4 3 2 1

D

D

C

C

B

B

A

A

LAMP-MARKER, W/RED LENS  
193721-02-000  
SCREW  
G11-08-12U (EXT) (2)

LEXT-1

LAMP-MARKER, W/AMBER LENS  
193721-01-000  
SCREW  
G11-08-12U (EXT) (2)  
CONNECTOR  
58028-01-000 (2)

LAMP-MARKER, W/RED LENS  
193721-02-000  
SCREW  
G11-08-12U (EXT) (2)

LAMP-MARKER, W/AMBER LENS  
193721-01-000  
SCREW  
G11-08-12U (EXT) (2)  
CONNECTOR  
58028-01-000 (2)

- 265 CODES/STANDARDS-CSA/CMVSS
- 1B1 CODES/STANDARDS USA
- 1B1 265



DSNR:		ALL DIMENSIONS ARE IN MILLIMETERS	
DFFR:		MATERIAL:	
UNSPECIFIED TOLERANCES:			
WHOLE DIM (X)	3		
ONE-PLACE (X.X)	1.5		
TWO-PLACE (X.XX)	0.50		
ANGLE	1°		
REFER TO ES0018 FOR FASTENER TIGHTENING GUIDELINES		WEIGHT: (LBS)	FIRST USED:
DESCRIPTION: <b>WIRING INSTL-EXTERIOR LAMPS</b>			
SHEET:	ITEM/PART NO.:	REV:	
1 OF 2	000179999 / 30075901000		

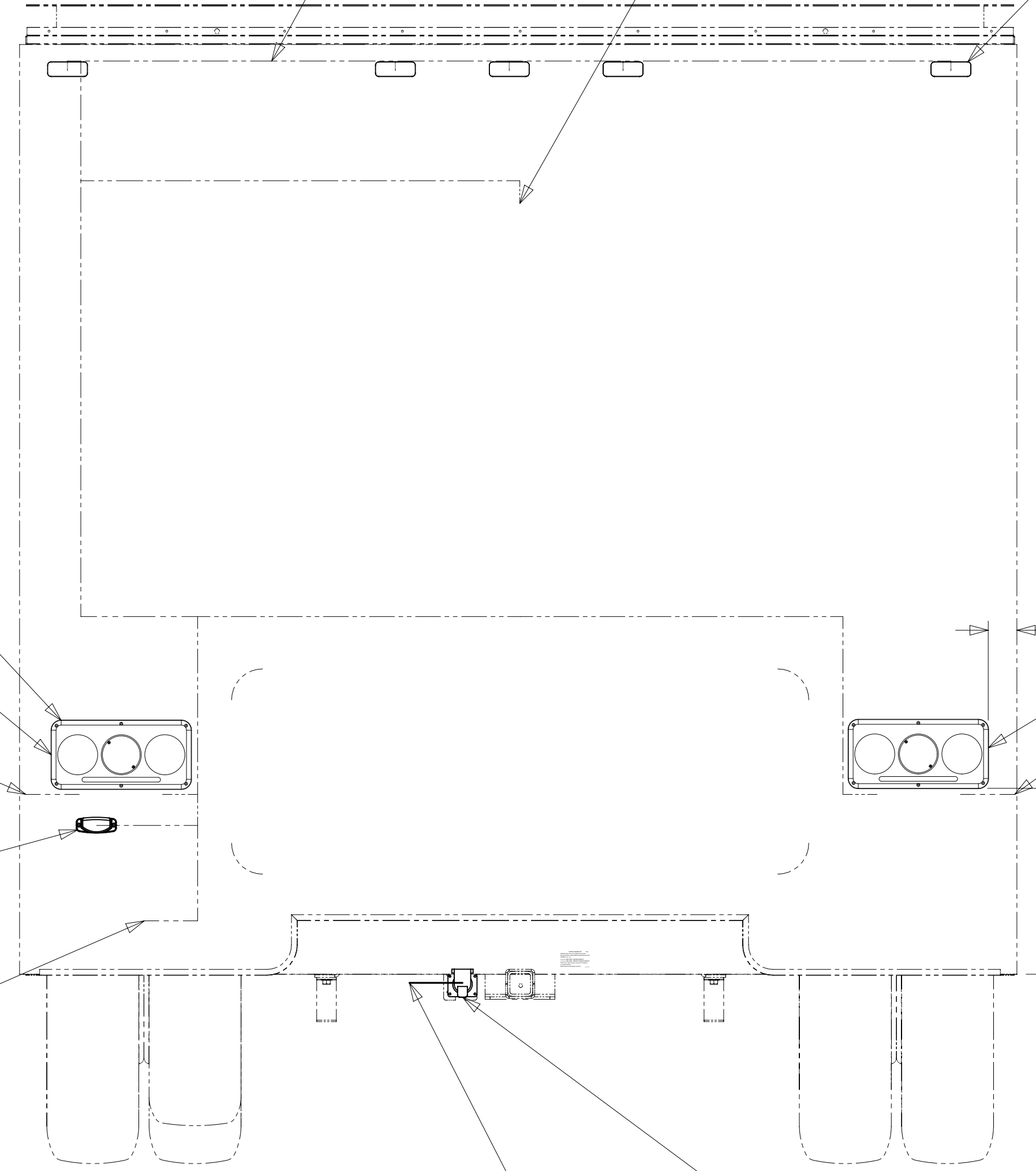
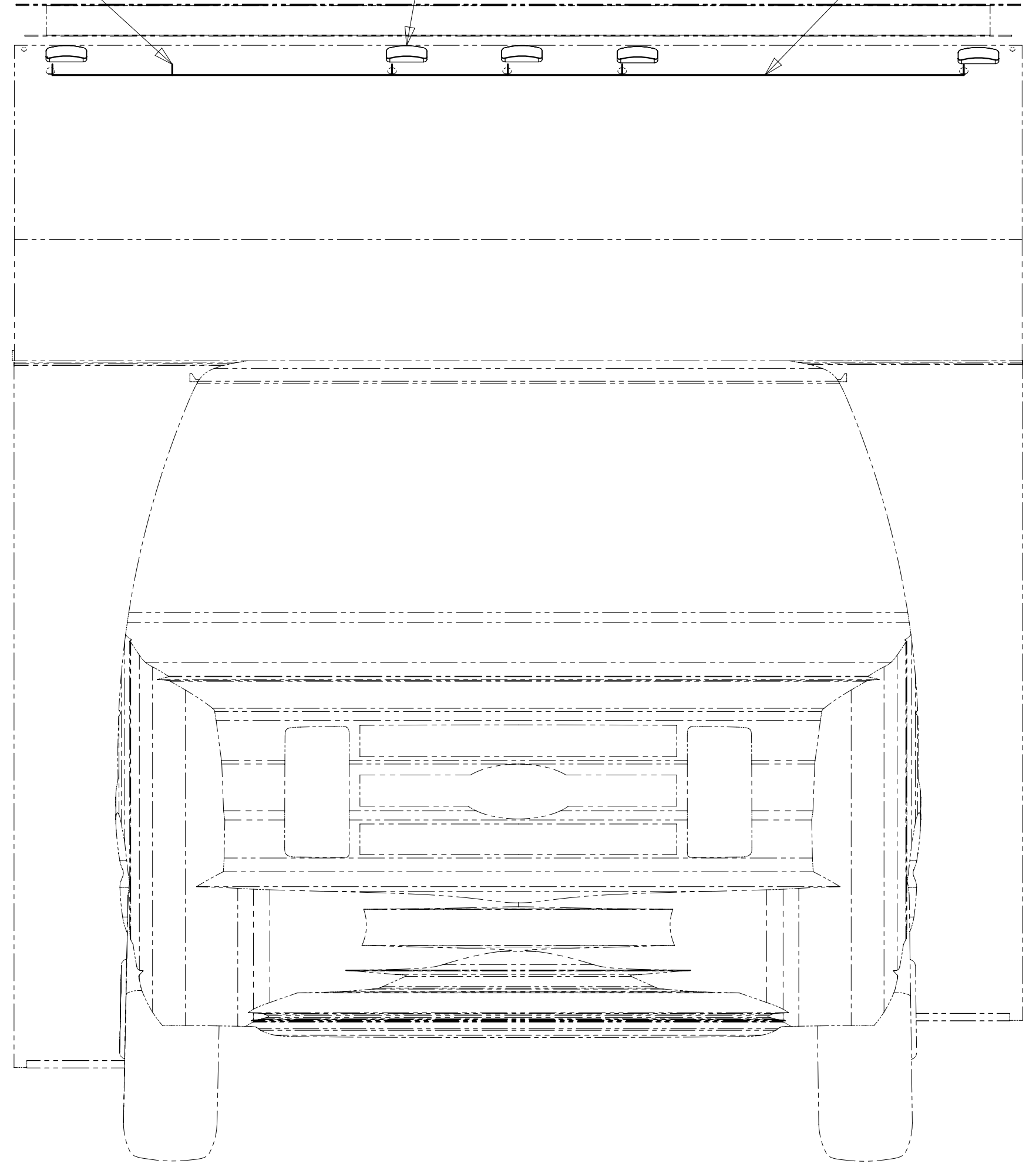
FOR ELECTRICAL TORQUE SPECIFICATIONS SEE DWG NO. 128783-01-000

FOR ELECTRICAL CALLOUTS SEE DWG NO. 121339-01-000

8 7 6 5 4 3 2 1

TO WIRE ASM-ROOF MM,MS  
 LAMP-MARKER,W/AMBER LENS 193721-01-000 (5)  
 SCREW G11-08-12U (EXT) (10)  
 WIRE ASM-ROOF 1

WIRE ASM-BACKWALL 3  
 TO BEDROOM OVHD LAMP JD,ND  
 LAMP-MARKER,W/RED LENS 193721-02-000 (5)  
 SCREW G11-08-12U (EXT) (10)



4 5 LAMP ASM-STOP/TURN/ TAIL/BACKUP 183787-01-000 (2)  
 SCREW G11-07-12U (12)  
 CONNECTOR 58028-01-000 (8)

SEE DETAIL BA

TO SIDEMARKER LAMP MM,MS

BRACKET-LICENSE 66432-03-000  
 SCREW G67-10-129 (2)  
 LIGHT-LICENSE 66432-02-000  
 SCREW G39-08-12T (EXT) (2)  
 CONNECTOR 58028-01-000 (2)

8-PIN HOUSING TO WIRE ASM-CHASSIS

73 (2)

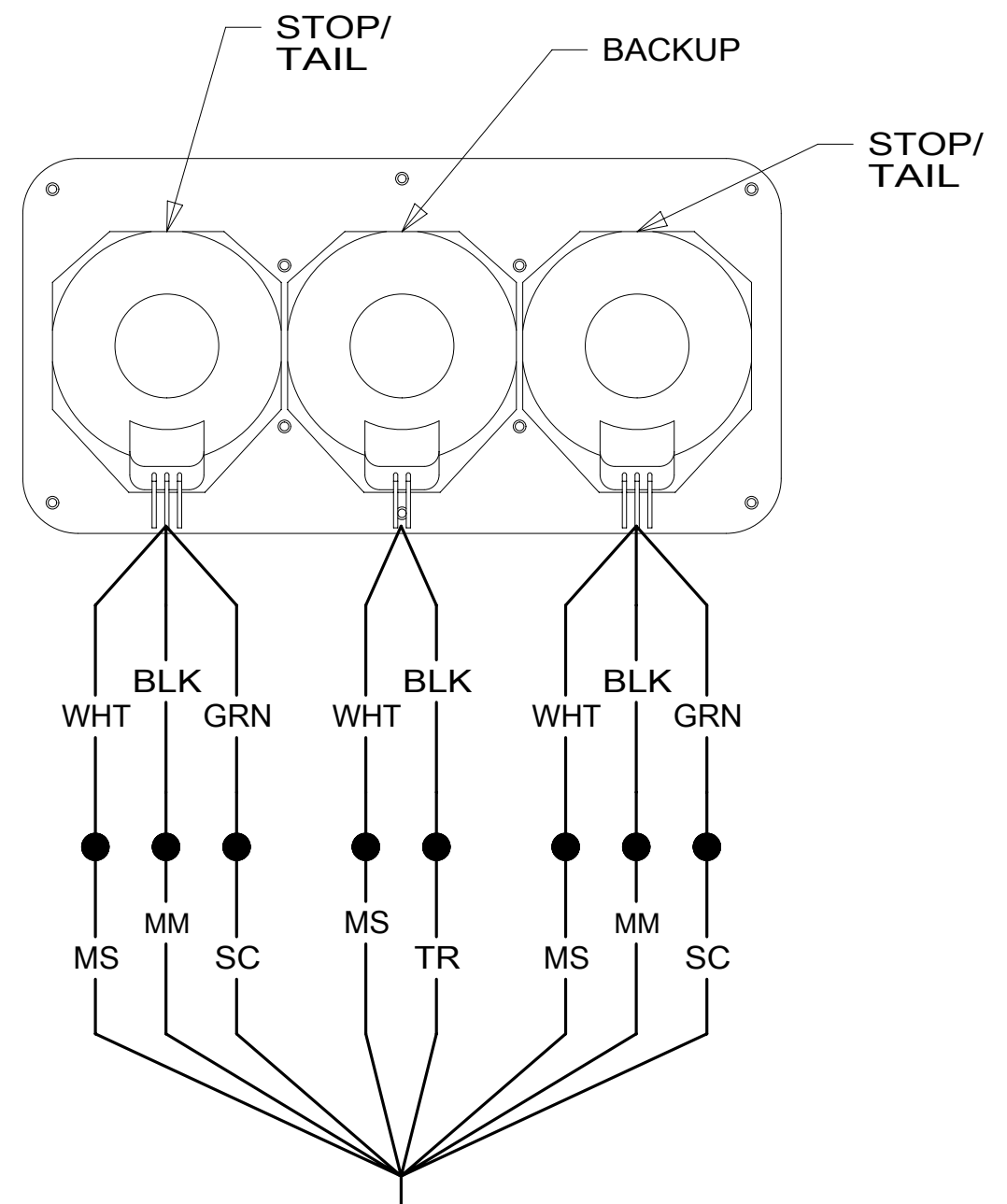
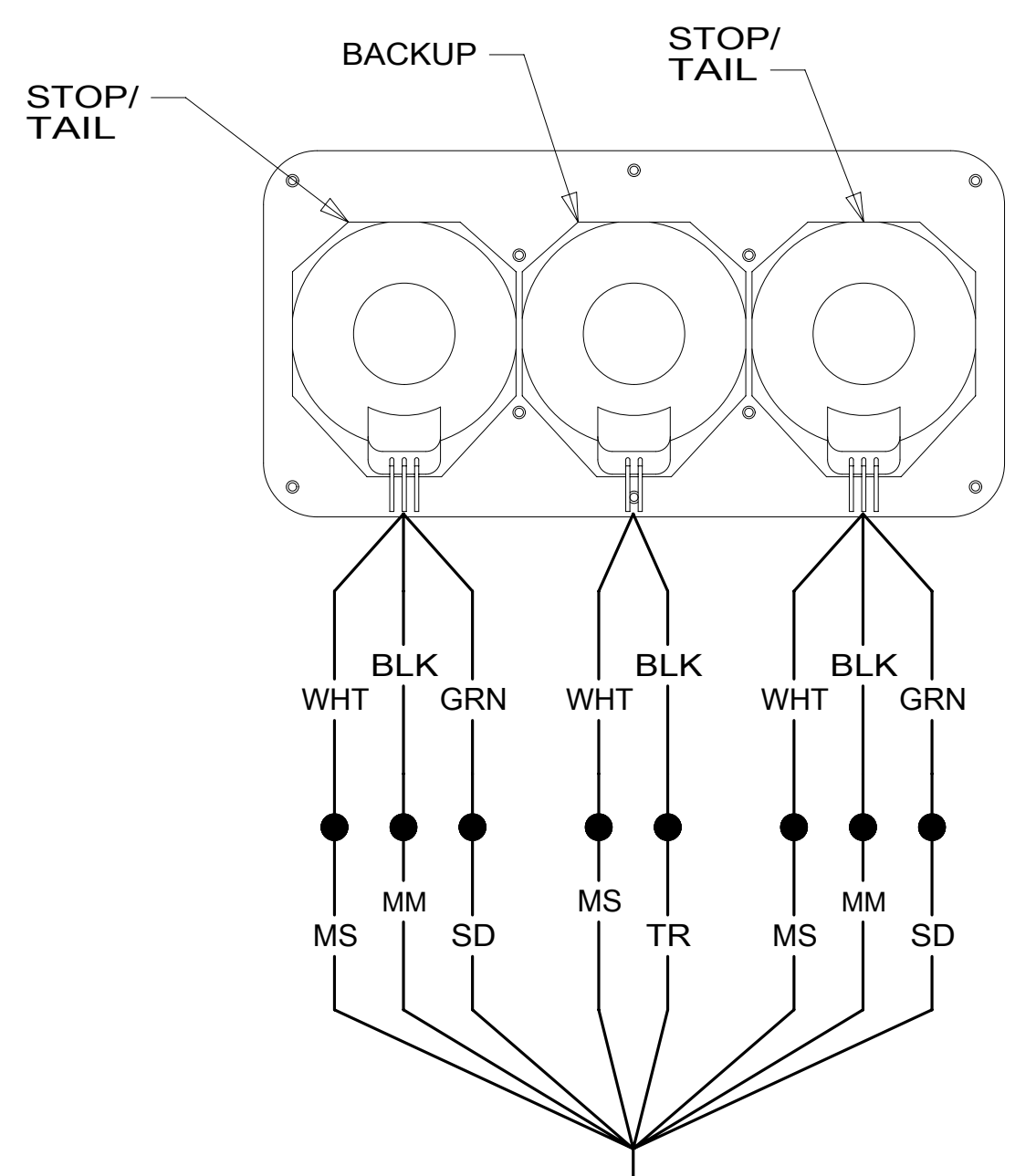
SEE DETAIL BB

TO SIDEMARKER LAMP MM,MS

472 (2)

CONNECTOR-TRAILER 157593-01-000 (075) 240  
 SCREW 101618-01-000 (4)

WIRE ASM-CHASSIS 2



TO WIRE ASM-BACKWALL  
 DETAIL BA

TO WIRE ASM-BACKWALL  
 DETAIL BB

- NOTES:
- 5 APPLY SILICONE ACROSS TOP AND DOWN SIDES WITH FEATURE 64 TRIM GASKET AS NECESSARY.
  - 4 TAIL LAMP MUST BE INSTALLED WITH WIRES DOWN.
  - 3 LOCATED IN BACKWALL ASSEMBLY.
  - 2 SECURE WIRE BELOW COACH WITH CLAMP 10495-01-000 AND SCREW G67-10-12B.
  - 1 LOCATED IN ROOF ASSEMBLY FRONT.

- 644 GREAT ALASKAN RENTAL PACKAGE
- 240 TRAILER HITCH
- 075 CONVENIENCE & APPEARANCE PKG
- 265 CODES/STANDARDS-CSA/CMVSS
- 1B1 CODES/STANDARDS USA

FOR ELECTRICAL TORQUE SPECIFICATIONS SEE DWG NO. 128783-01-000

FOR ELECTRICAL CALLOUTS SEE DWG NO. 121339-01-000

DESCRIPTION:	
<b>WIRING INSTL-EXTERIOR LAMPS</b>	
SHEET: 2 OF 2	ITEM/PART NO: 000179999 / 30075901000
REV	