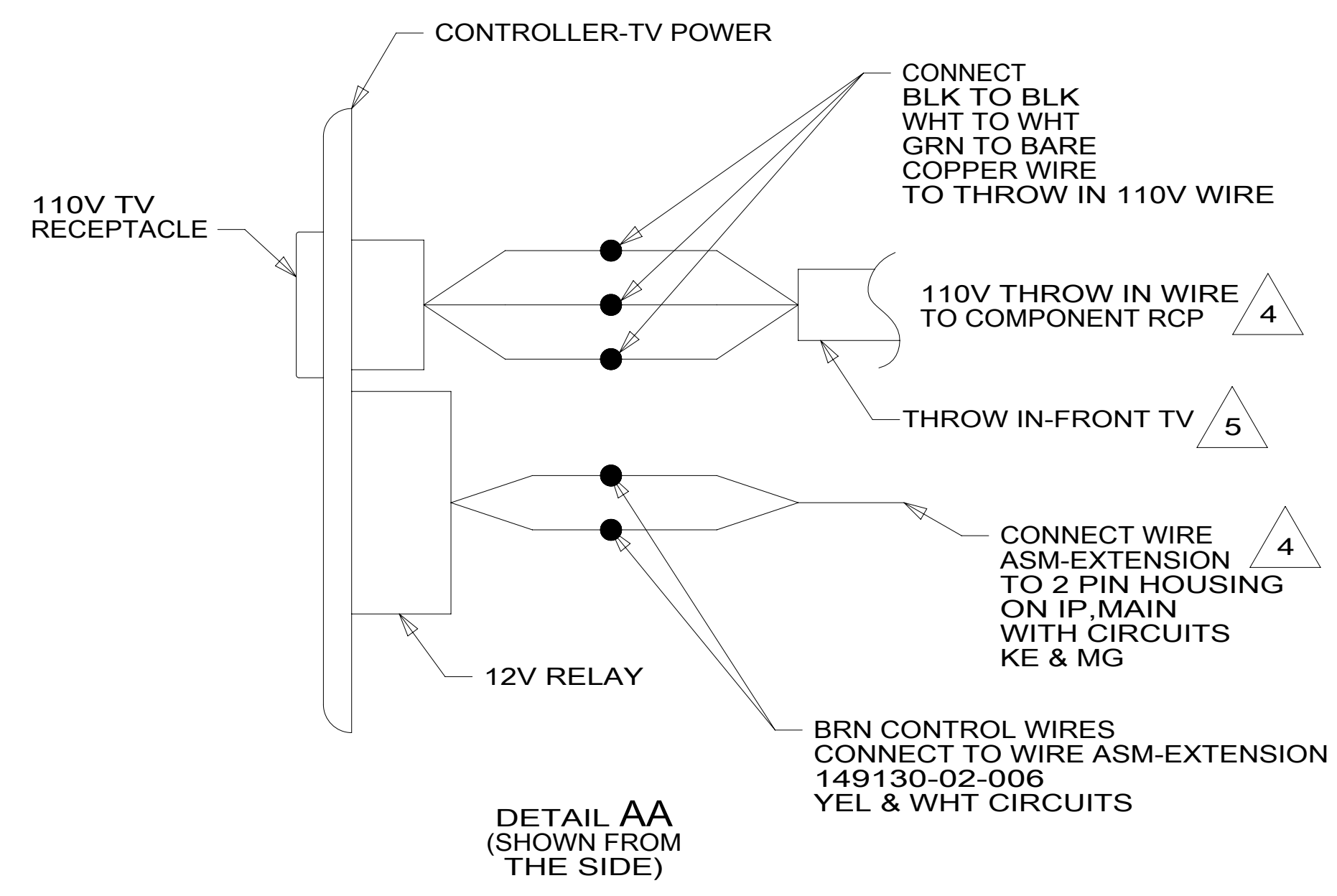
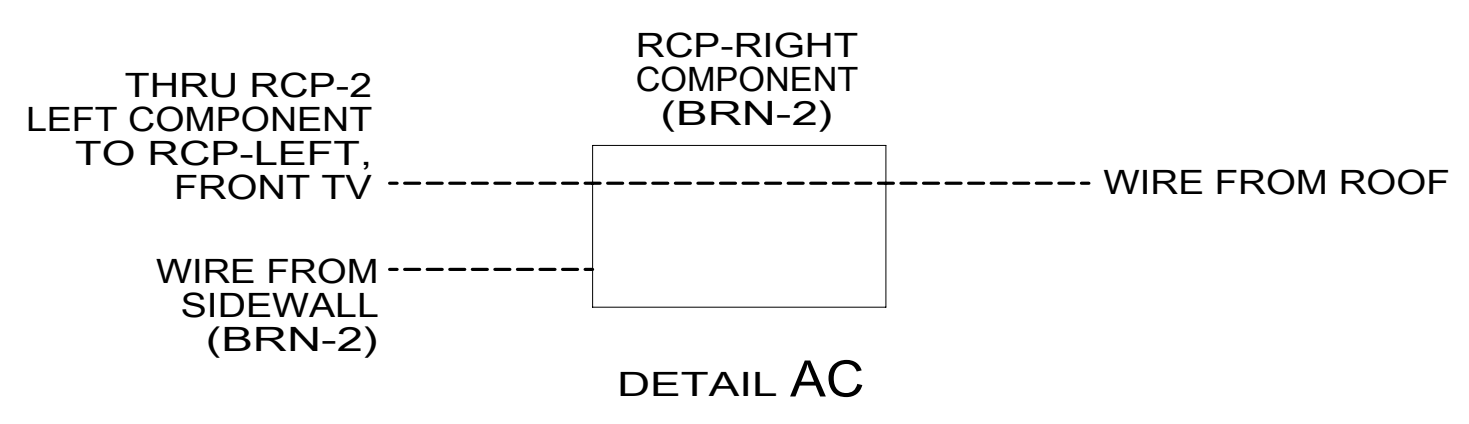
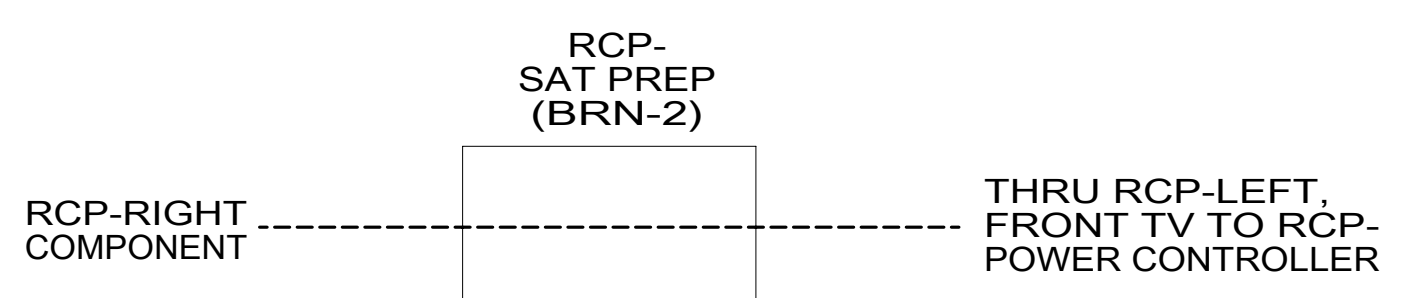
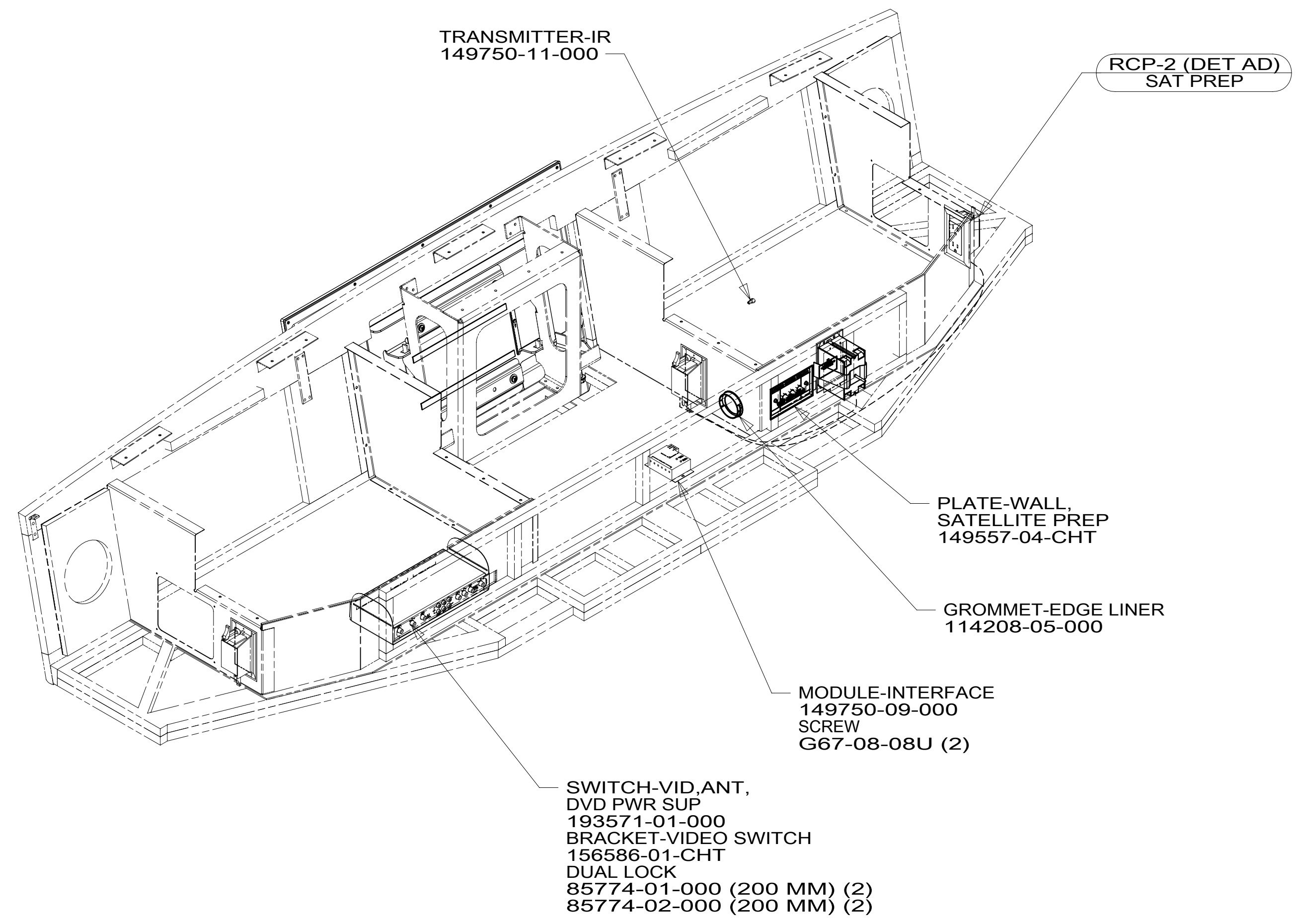
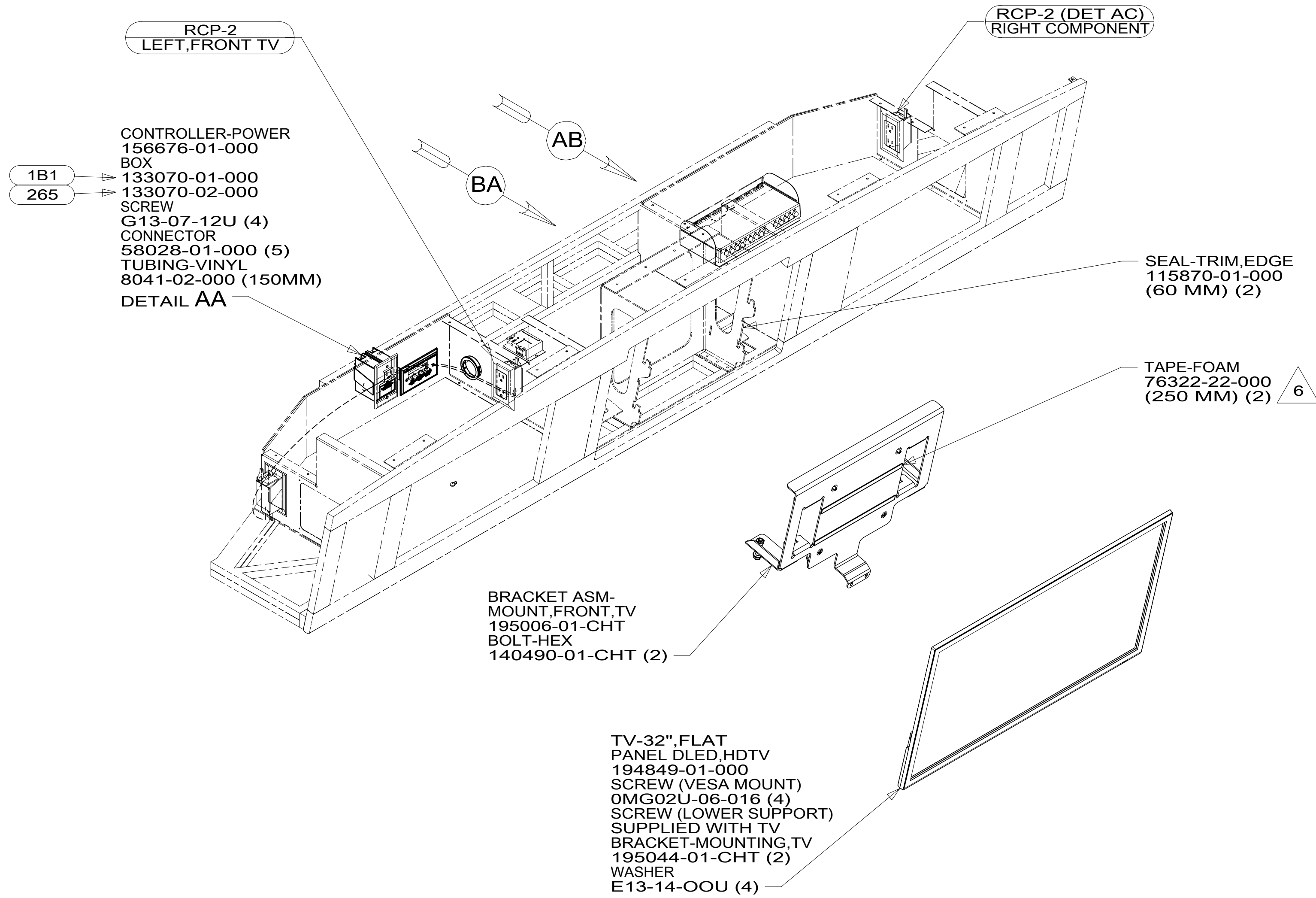


8 7 6 5 4 3 2 1



VIEW AB

- 6 PREP SURFACE WITH 87211-01-000.
- 5 SEE 110V LOAD CENTER ASM FOR ADDITIONAL INFORMATION.
- 4 ROUTE 110V AND 12V WIRES IN OPPOSITE ENDS OF ELECTRICAL BOX.
3. WHERE WIRES PASS THROUGH HOLES IN STEEL AND NOT OTHERWISE PROTECTED, USE GROMMET 92908-02-000.
2. ALL WIRES TO BE SECURED WITH CLAMP 10495-01-000 OR CLIP 80734-01-000 EVERY 600MM. USE SCREW G67-10-12B UNLESS OTHERWISE SPECIFIED.
1. 110V WIRE TO BE CLAMPED WITH CLAMP 10497-05-000 WITHIN 200MM OF OUTLET BOXES, USE SCREW G67-10-12B.

FOR ELECTRICAL TORQUE SPECIFICATIONS SEE DWG NO. 128783-01-000

FOR ELECTRICAL CALLOUTS SEE DWG NO. 121339-01-000

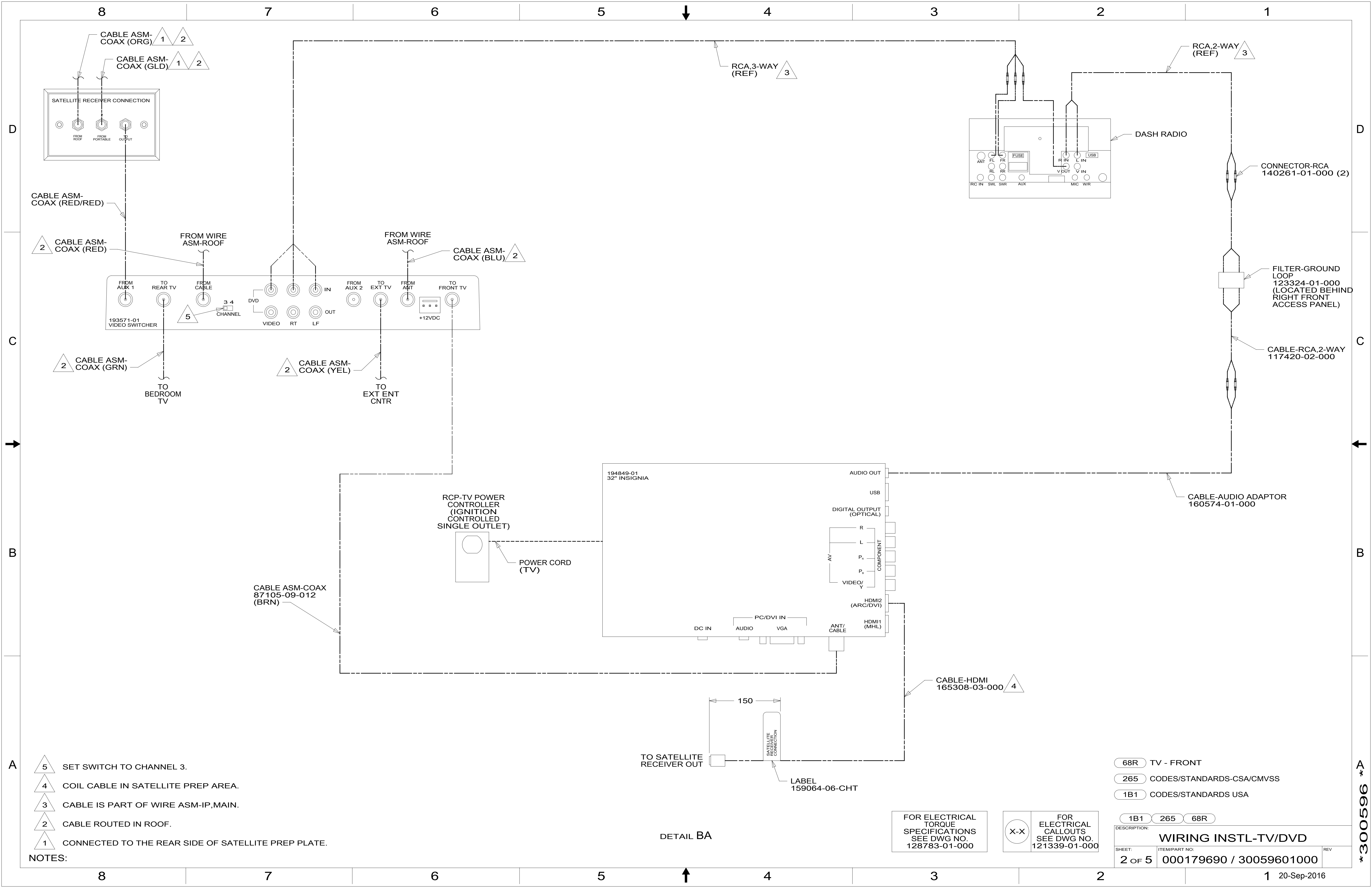
- 68R TV - FRONT
- 265 CODES/STANDARDS-CSA/CMVSS
- 1B1 CODES/STANDARDS USA

1B1 265 68R

WINNEBAGO
COPYRIGHT 2016 WINNEBAGO INDUSTRIES, INC.

DSNR:		ALL DIMENSIONS ARE IN MILLIMETERS
DFFR:		
UNSPECIFIED TOLERANCES:		MATERIAL:
WHOLE DIM (X)	3	
ONE-PLACE (X.X)	1.5	
TWO-PLACE (X.XX)	0.50	
ANGLE	1°	
REFER TO ES0018 FOR FASTENER TIGHTENING GUIDELINES	WEIGHT: (LBS)	FIRST USED:
DESCRIPTION: WIRING INSTL-TV/DVD		
SHEET: 1 OF 5	ITEM/PART NO: 000179690 / 30059601000	REV:

*300596



- NOTES:
- 5 SET SWITCH TO CHANNEL 3.
 - 4 COIL CABLE IN SATELLITE PREP AREA.
 - 3 CABLE IS PART OF WIRE ASM-IP.MAIN.
 - 2 CABLE ROUTED IN ROOF.
 - 1 CONNECTED TO THE REAR SIDE OF SATELLITE PREP PLATE.

- 68R TV - FRONT
- 265 CODES/STANDARDS-CSA/CMVSS
- 1B1 CODES/STANDARDS USA

FOR ELECTRICAL TORQUE SPECIFICATIONS SEE DWG NO. 128783-01-000

FOR ELECTRICAL CALLOUTS SEE DWG NO. 121339-01-000

DESCRIPTION:		
1B1 265 68R		
WIRING INSTL-TV/DVD		
SHEET:	ITEM/PART NO.:	REV:
2 OF 5	000179690 / 30059601000	

300596 A

DETAIL BA

8 7 6 5 4 3 2 1

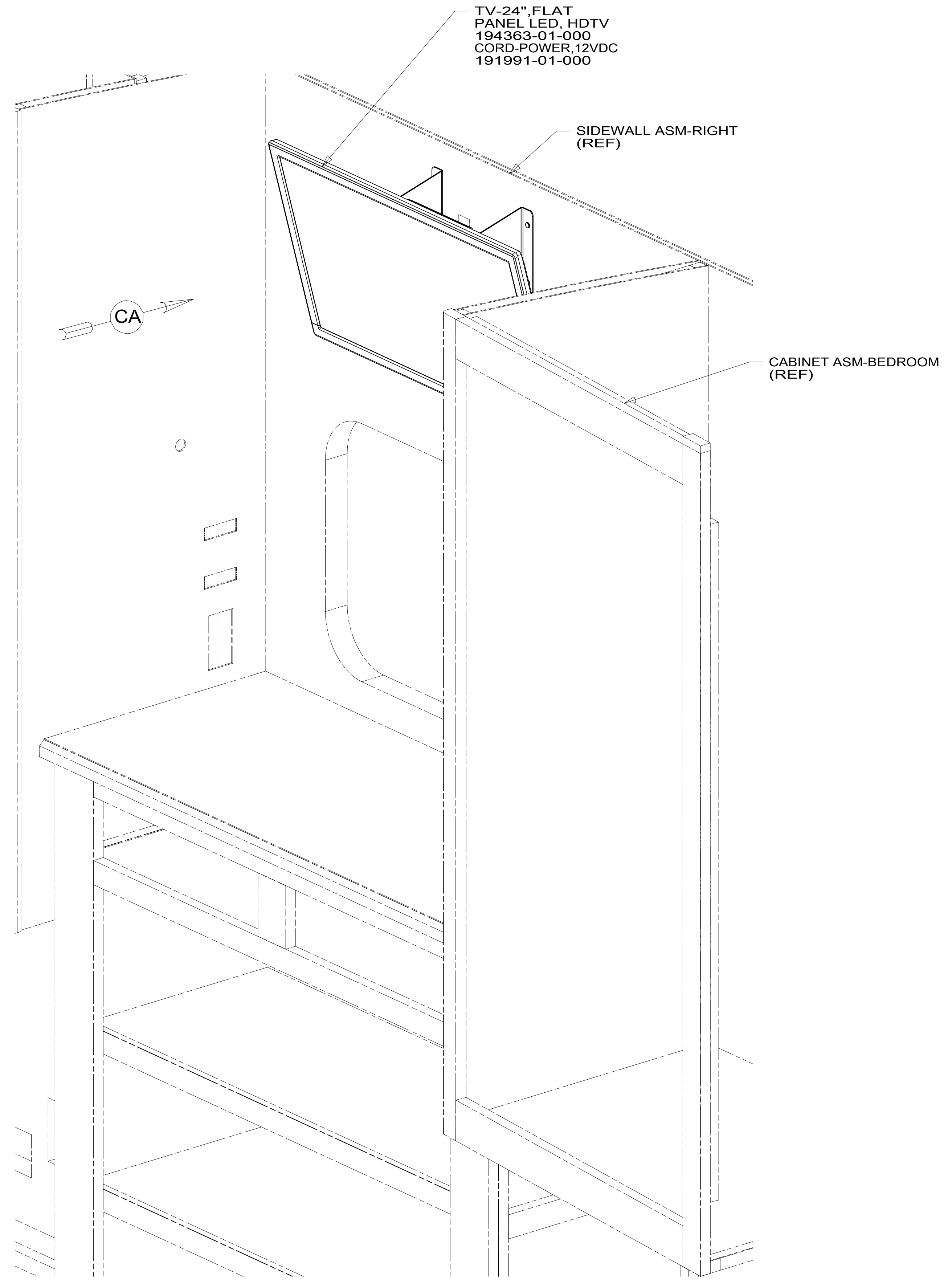


D

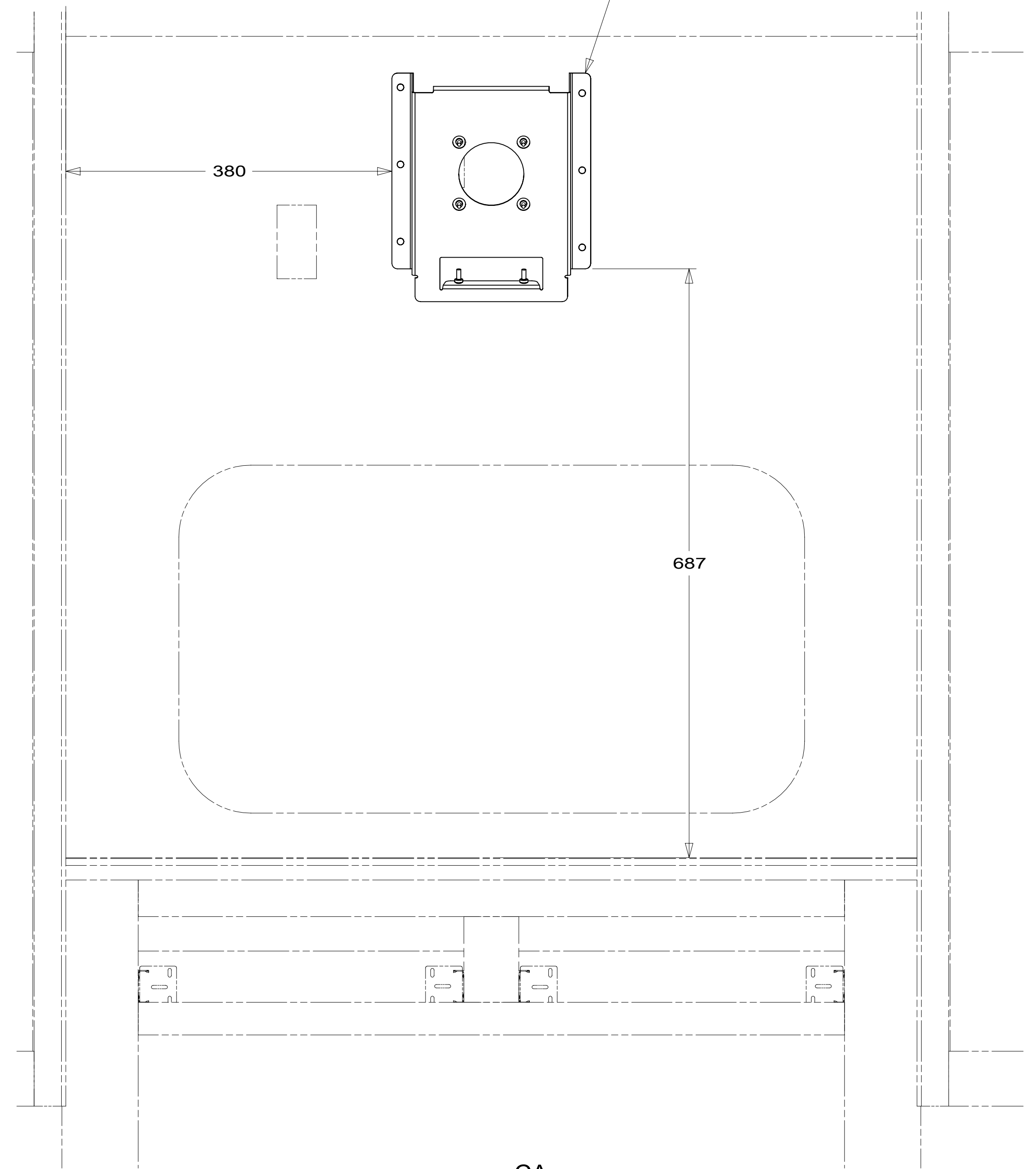
C

B

A



- BRACKET-TV
302683-01-CHT
- SCREW
G11-08-12U (6)
- SCREW
G39-10-08U (2)
- PLATE-MOUNTING
302643-01-CHT
- SCREW
OMG02U-04-012 (4)
- WASHER
OME02U-04-071 (4)



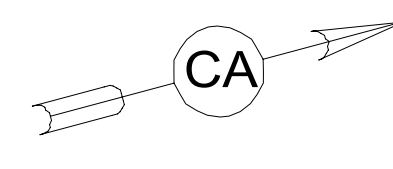
D

C

B

A

8 7 6 5 4 3 2 1 20-Sep-2016



FOR ELECTRICAL
TORQUE
SPECIFICATIONS
SEE DWG NO.
128783-01-000

FOR
ELECTRICAL
CALLOUTS
SEE DWG NO.
121339-01-000

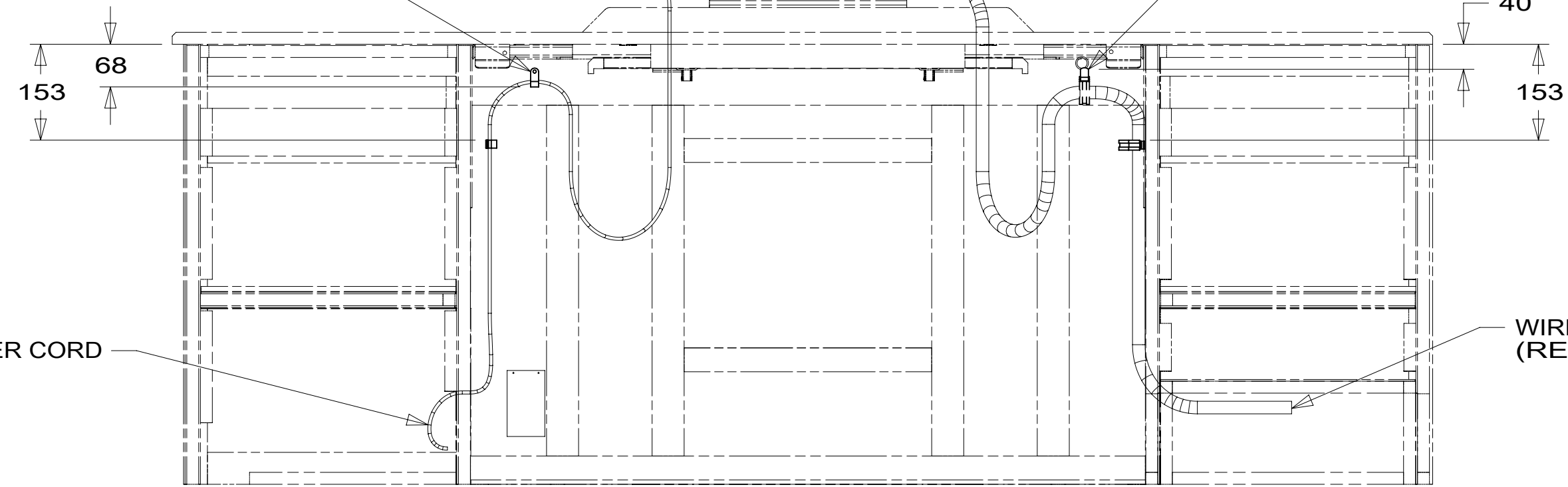
- 68X TV - BEDROOM
- 265 CODES/STANDARDS-CSA/CMVSS
- 1B1 CODES/STANDARDS USA

DESCRIPTION: WIRING INSTL-TV/DVD		
SHEET: 3 OF 5	ITEM/PART NO: 000179690 / 30059601000	REV

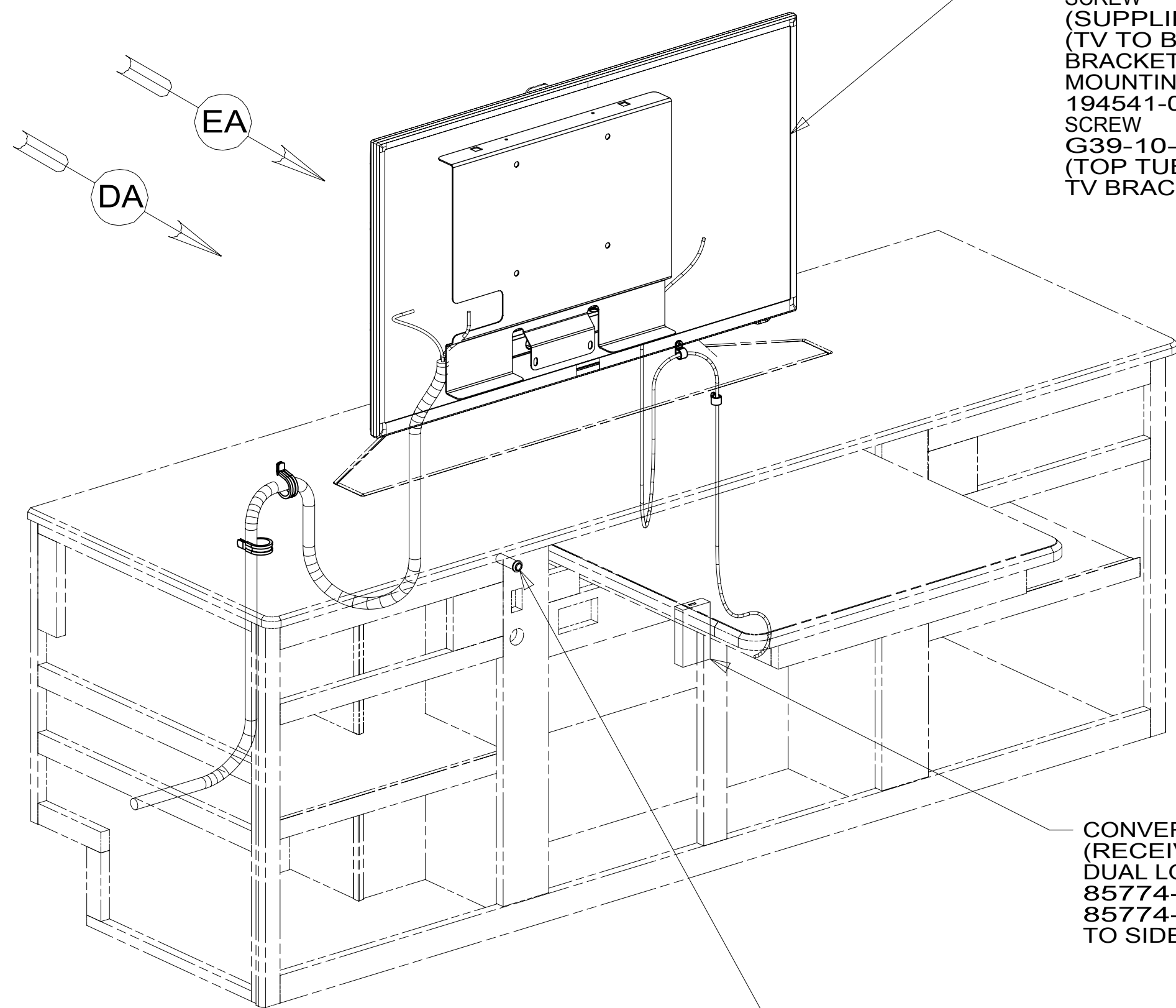
300596

WIRE TIE IS TO BE ROUTED THROUGH HOLE IN LOWER BRACKET AS SHOWN TO PROPERLY SUPPORT CABLE ASM (2) PLACES

CLAMP-CABLE
10495-01-000 (2)
SCREW
G11-08-16U (2)



VIEW DA



CONVERTER-HDMI/CAT6 (RECEIVER)
DUAL LOCK
85774-01-000 (50 MM) (2)
85774-02-000 (50 MM) (2)
TO SIDEWALL

RECEIVER-INFRARED,IMPACT
149750-13-000

RCP-2 (BRN-2)
RIGHT COMPONENT

RCP-1 (BRN-2)
HDMI CONVERTER
PANEL-RECEPTACLE
188004-04-CHT
SCREW
G39-10-12U (2)

GROMMET-EDGE LINER
114208-05-000

TRANSMITTER-INFRARED,IMPACT
149750-11-000

RCP-2 (BRN-2)
SAT PREP

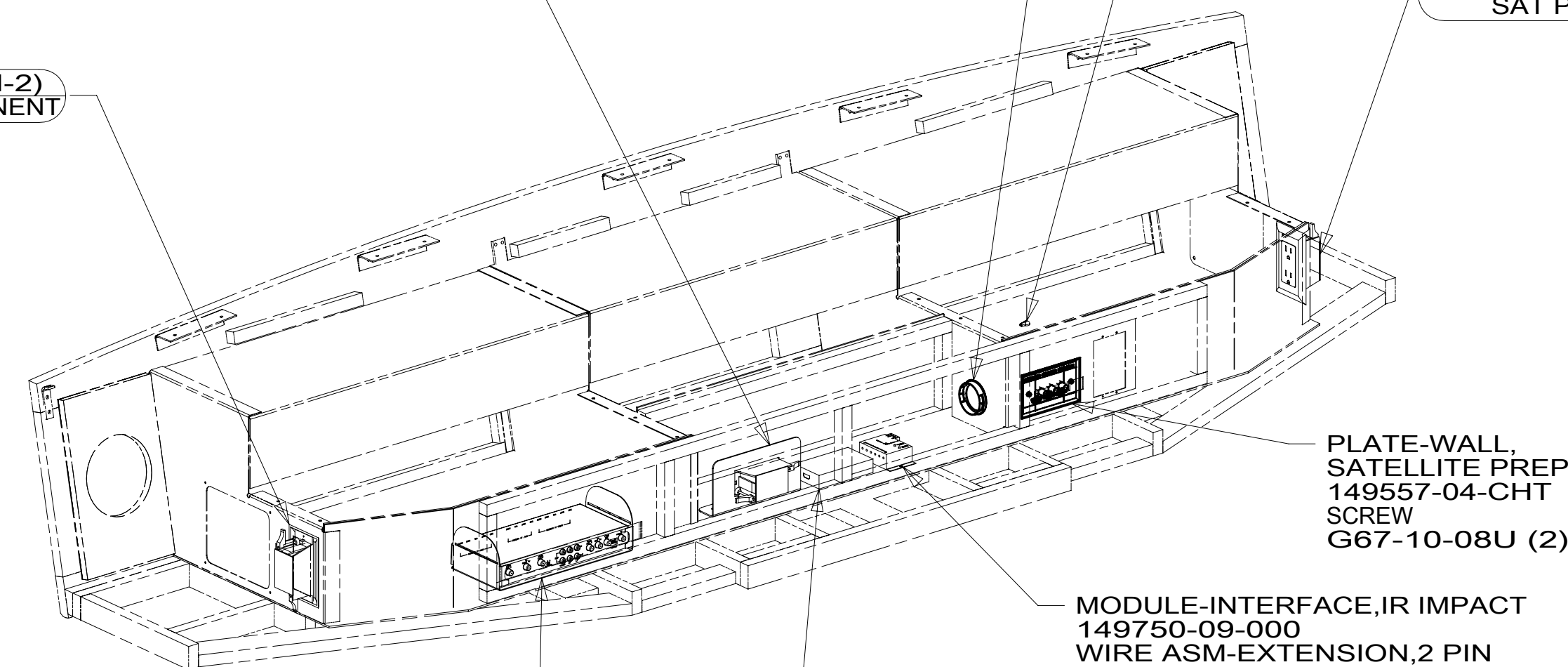
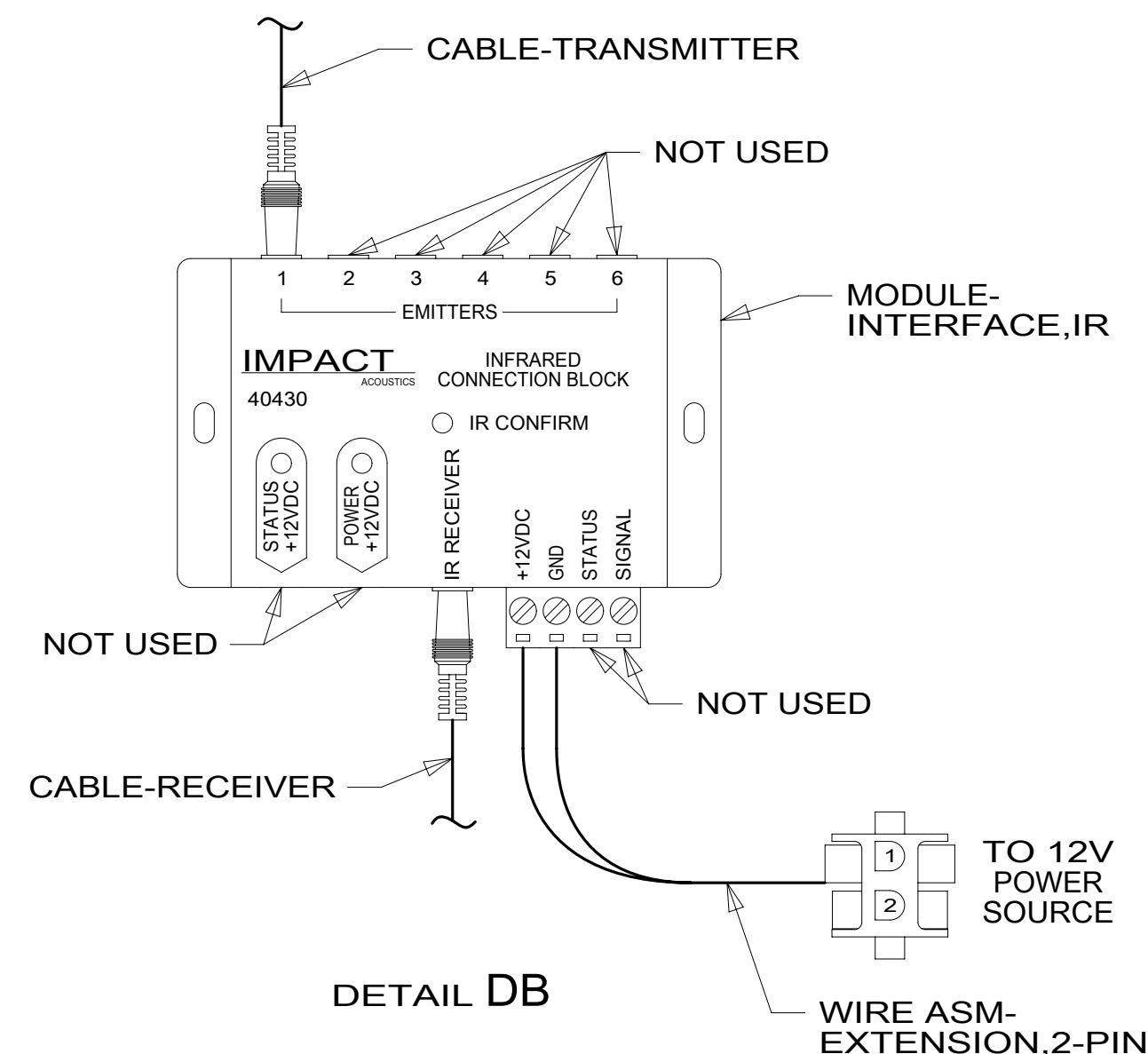


PLATE-WALL,
SATELLITE PREP
149557-04-CHT
SCREW
G67-10-08U (2)

MODULE-INTERFACE,IR IMPACT
149750-09-000
WIRE ASM-EXTENSION,2 PIN
177836-01-000
DETAIL DB

CONVERTER-HDMI/CAT6 (TRANSMITTER)
178304-02-000
DUAL LOCK
85774-01-000 (50 MM) (2)
85774-02-000 (50 MM) (2)

SWITCH-VID.ANT,
DVD PWR SUP
193571-01-000
BRACKET-VIDEO SWITCH
156586-01-CHT
DUAL LOCK
85774-01-000 (200 MM) (2)
85774-02-000 (200 MM) (2)



DETAIL DB

- 21R DINING/BUFFET/POWERED TV
- 265 CODES/STANDARDS-CSA/CMVSS
- 1B1 CODES/STANDARDS USA

1B1 265 21R

DESCRIPTION:
WIRING INSTL-TV/DVD

SHEET: 4 OF 5 ITEM/PART NO: 000179690 / 30059601000 REV

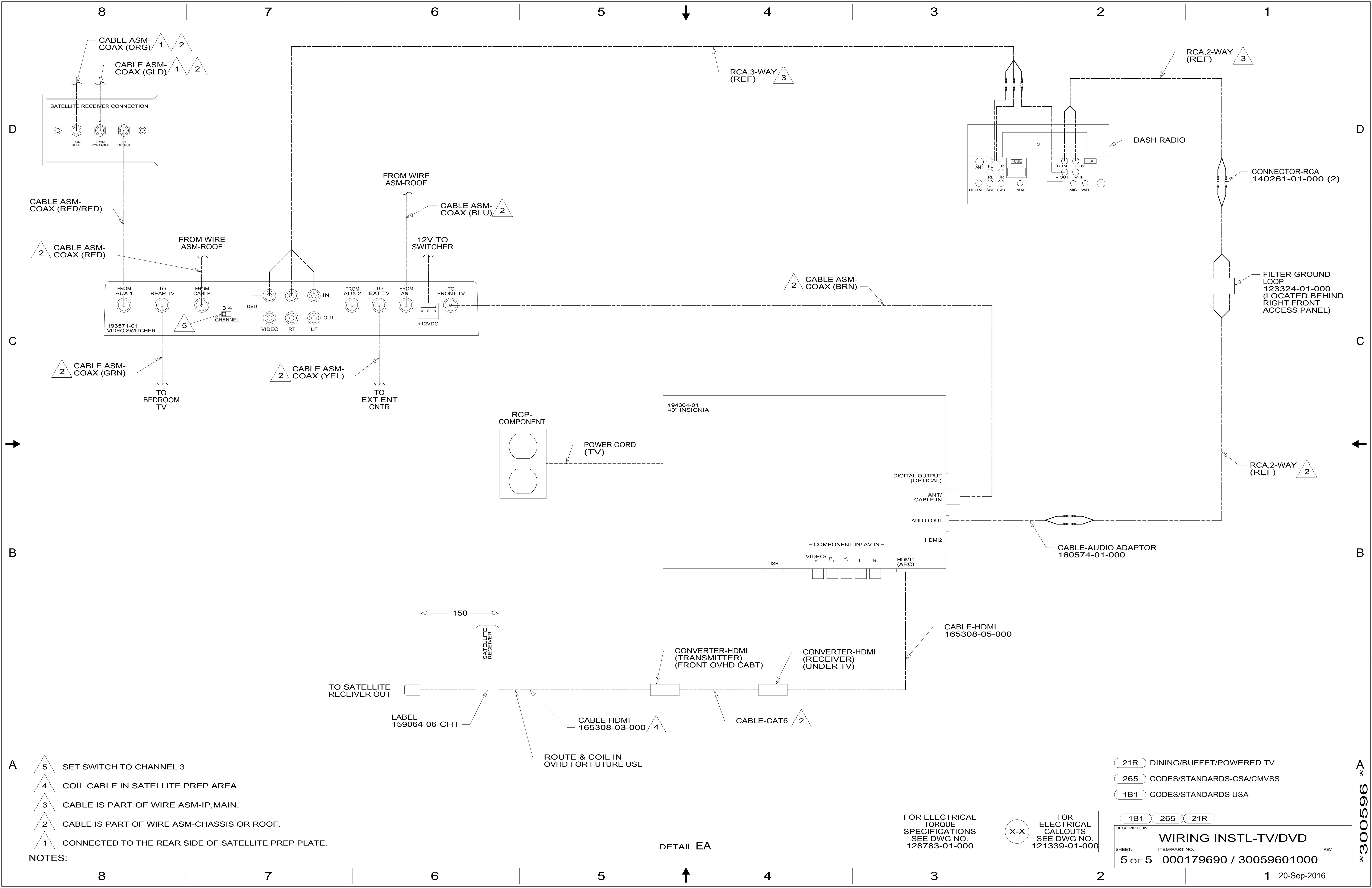
1 ROUTE 1 TRANSMITTER TO EACH SIDE AND COIL FOR FUTURE USE.

NOTES:

FOR ELECTRICAL TORQUE SPECIFICATIONS SEE DWG NO. 128783-01-000

FOR ELECTRICAL CALLOUTS SEE DWG NO. 121339-01-000

*300596



- NOTES:
- 5 SET SWITCH TO CHANNEL 3.
 - 4 COIL CABLE IN SATELLITE PREP AREA.
 - 3 CABLE IS PART OF WIRE ASM-IP.MAIN.
 - 2 CABLE IS PART OF WIRE ASM-CHASSIS OR ROOF.
 - 1 CONNECTED TO THE REAR SIDE OF SATELLITE PREP PLATE.

FOR ELECTRICAL TORQUE SPECIFICATIONS SEE DWG NO. 128783-01-000

FOR ELECTRICAL CALLOUTS SEE DWG NO. 121339-01-000

21R	DINING/BUFFET/POWERED TV	
265	CODES/STANDARDS-CSA/CMVSS	
1B1	CODES/STANDARDS USA	
1B1	265	21R
DESCRIPTION:		
WIRING INSTL-TV/DVD		
SHEET:	ITEM/PART NO.:	REV
5 OF 5	000179690 / 30059601000	

DETAIL EA

*300596