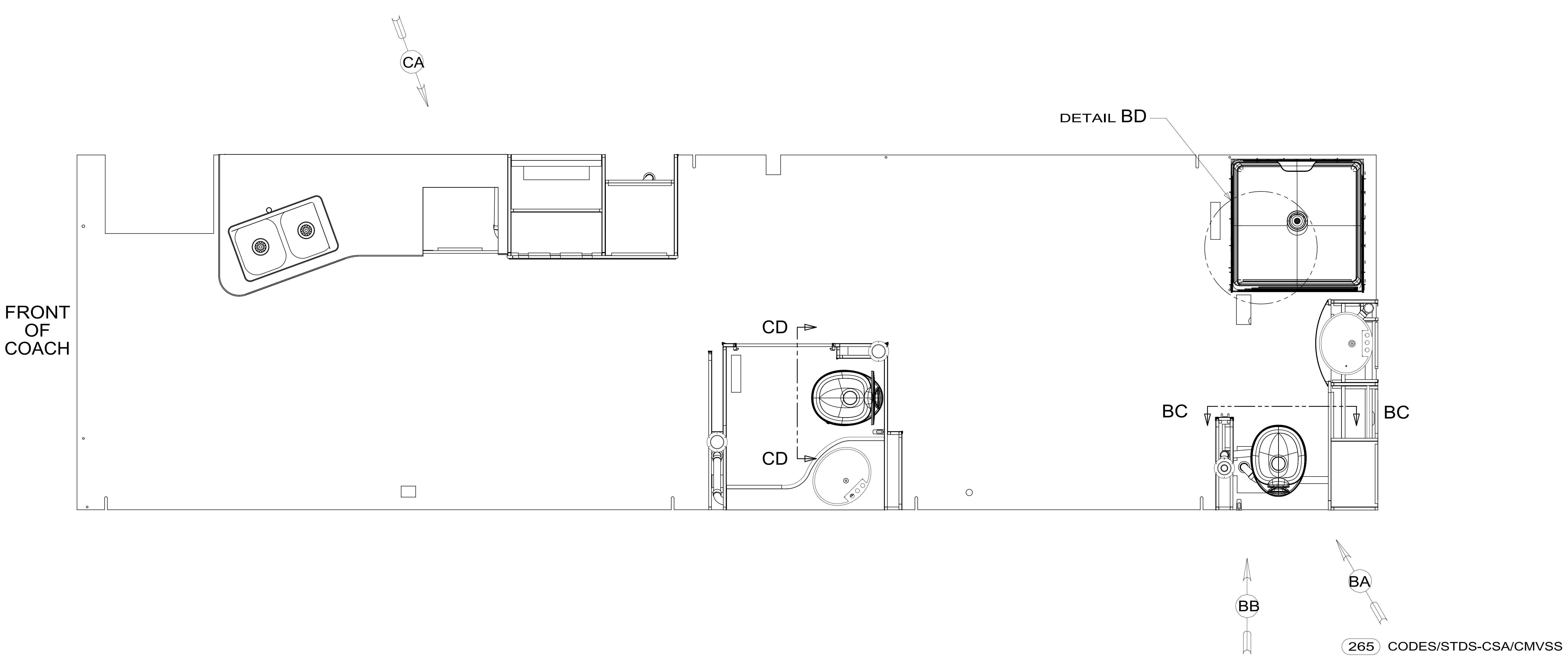


8 7 6 5 4 3 2 1

D  
C  
B  
A

D  
C  
B  
A



- 9. SEE DRAWING 061607 FOR INSTALLATION OF GROMMETS.
- 8. SECURE DRAINAGE PIPES TO CABINET USING WIRE TIE 108046-02-000, AND SCREW 000G67-10-12U AT INTERVALS OF NOT OF NOT MORE THAN 4 FEET APART.
- 7. SECURE VENT PIPE TO TANK WITH CLAMP 062401-02-000.
- 6. VENT PIPE MUST PROJECT 51 MIN AND 64 MAX ABOVE ROOF FOR PROPER FIT AND FUNCTION. ADD S-1 (116666-01-CHT SEAL-VENT PIPE) AROUND PIPE ON ROOF BEFORE VENT CAP IS INSTALLED.
- 5. SEAL AROUND SHOWER WITH SILICONE.
- 4. USE SMOOTH PLUMBERS PUTTY 167459-01-000 TO SEAL STRAINER (0.2 PER STRAINER).
- 3. ALL PIPE AND FITTINGS TO BE ASSEMBLED WITH SOLVENT 004020-01-000 (USA), 004020-02-000 (CAN)
- 2. SLOPE OF TRAP ARM MUST BE 6 PER 305 mm.
- 1. SLOPE OF HORIZONTAL PIPING TO BE MINIMUM OF 3 PER 305 mm.

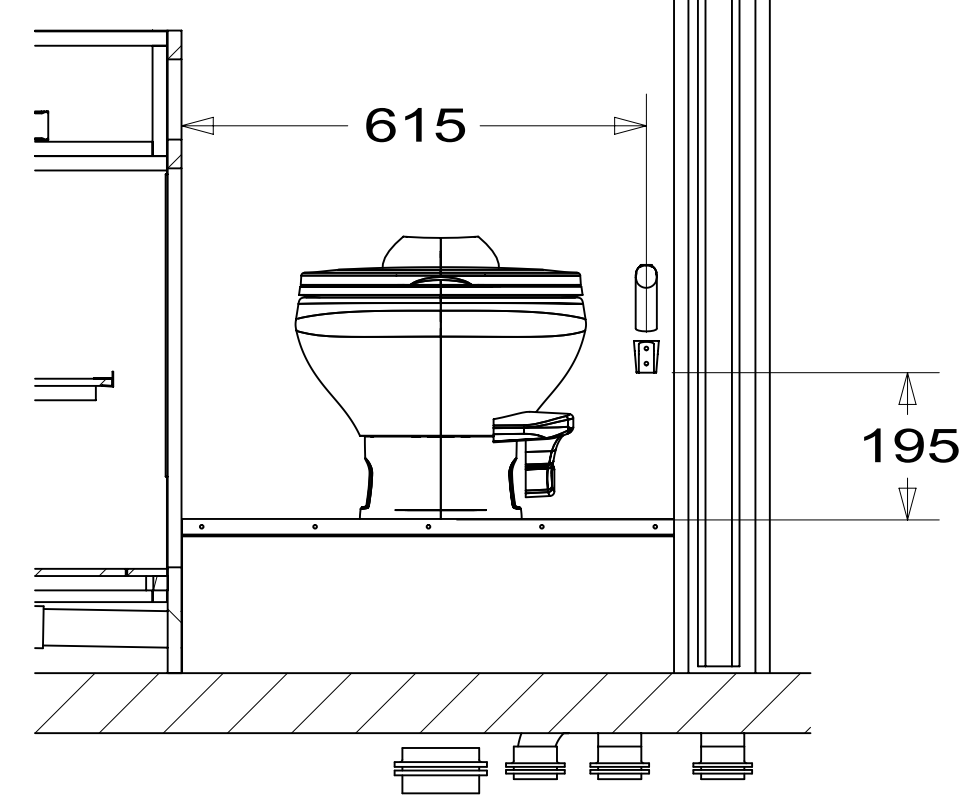
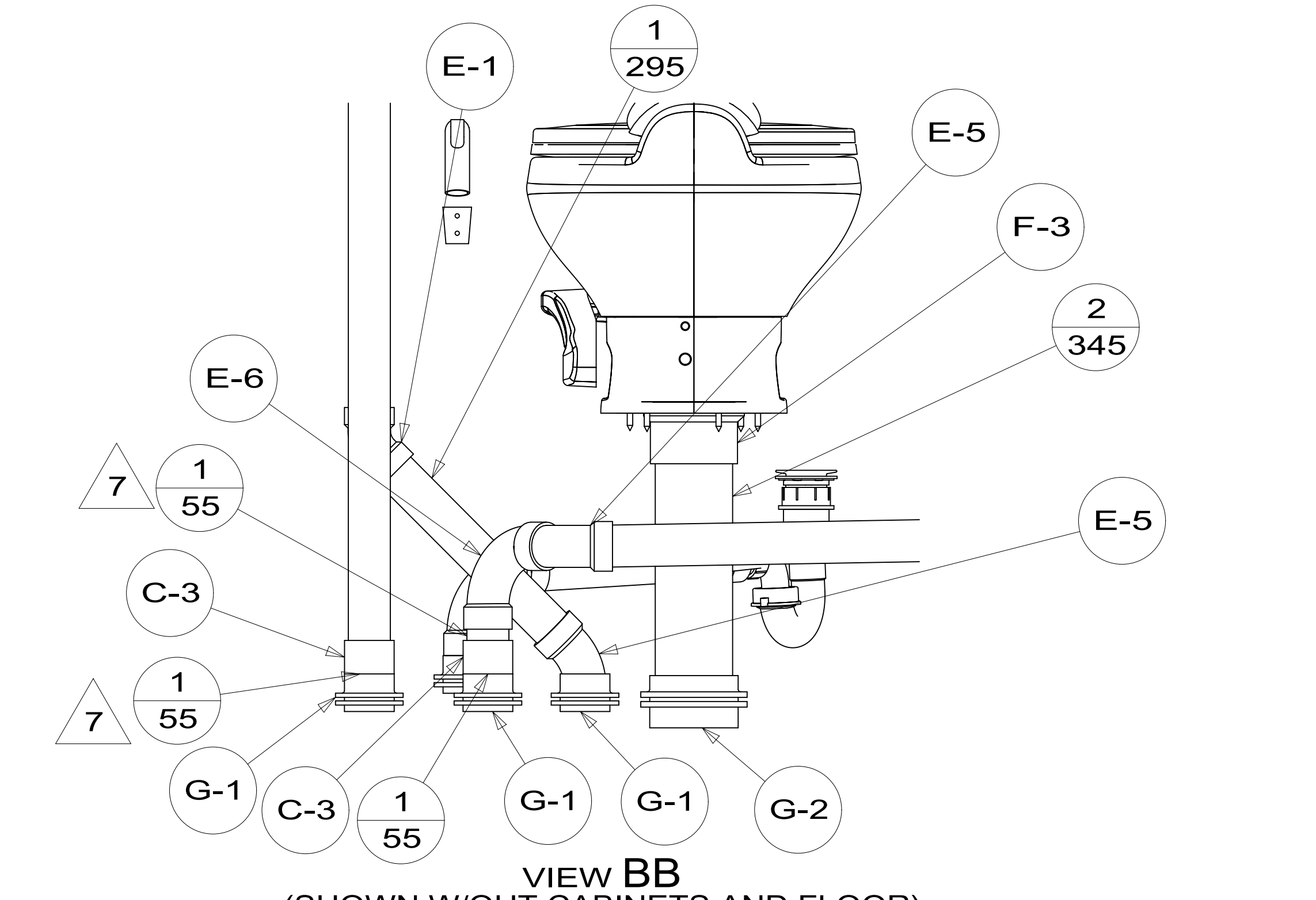
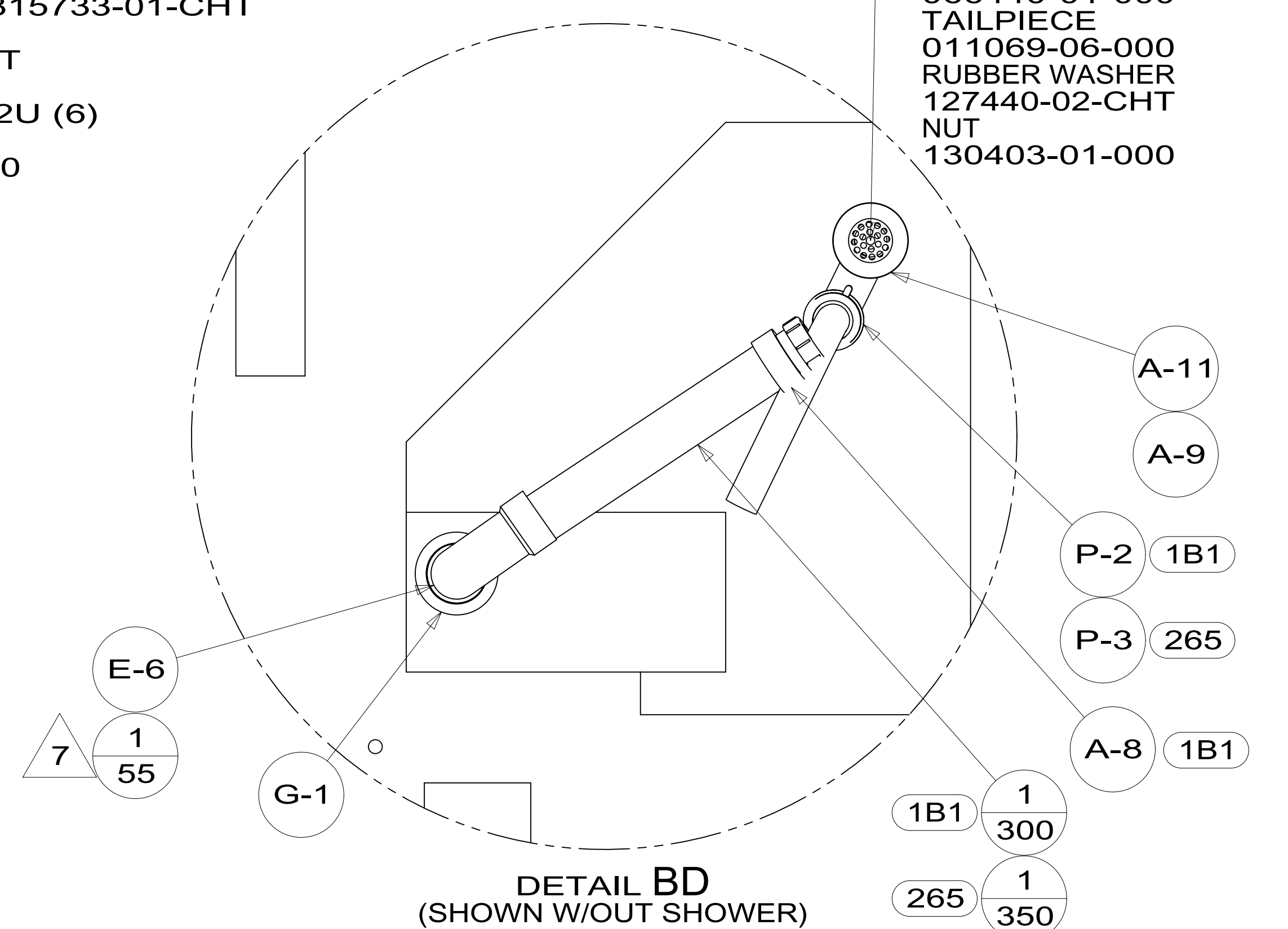
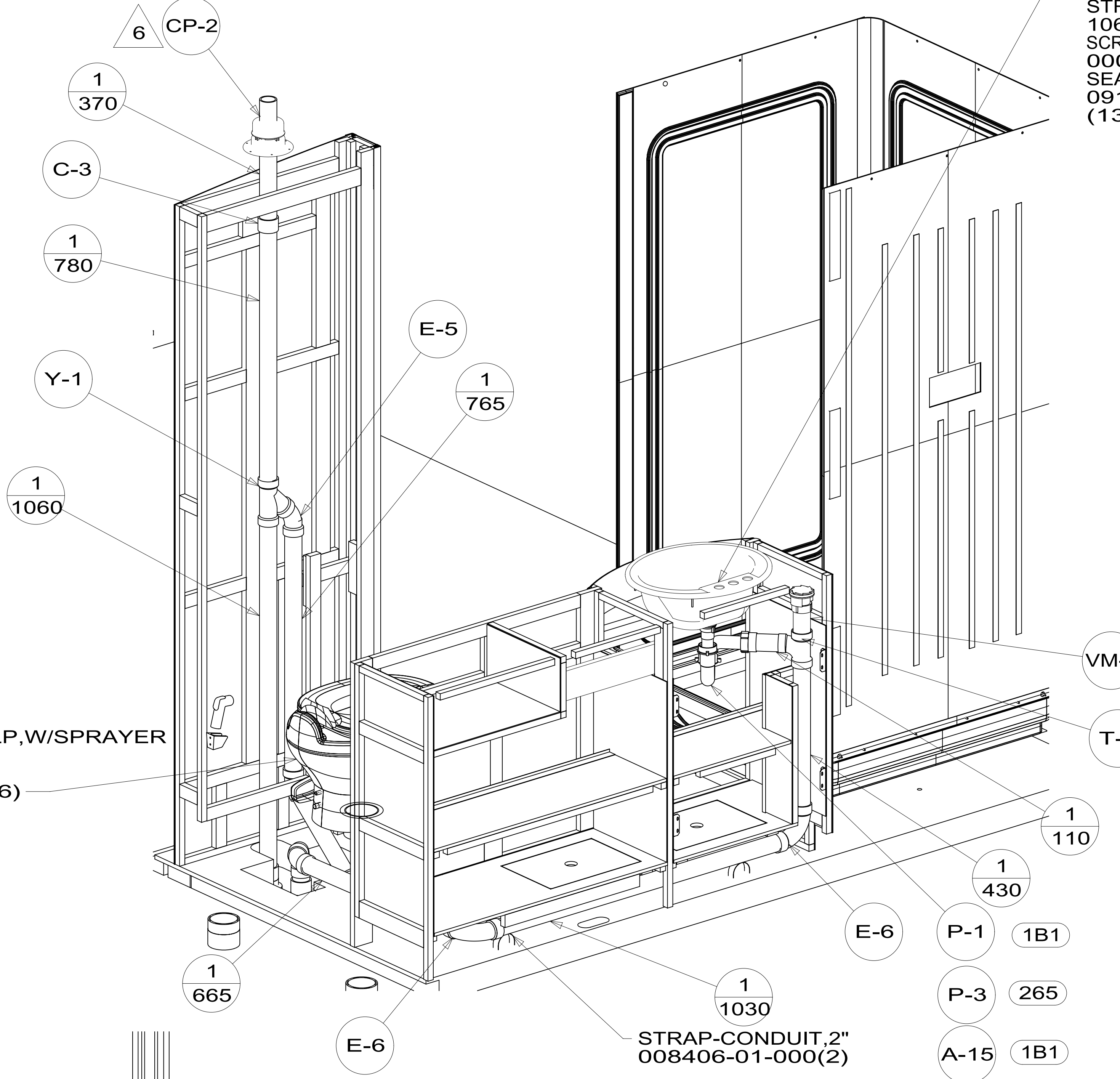
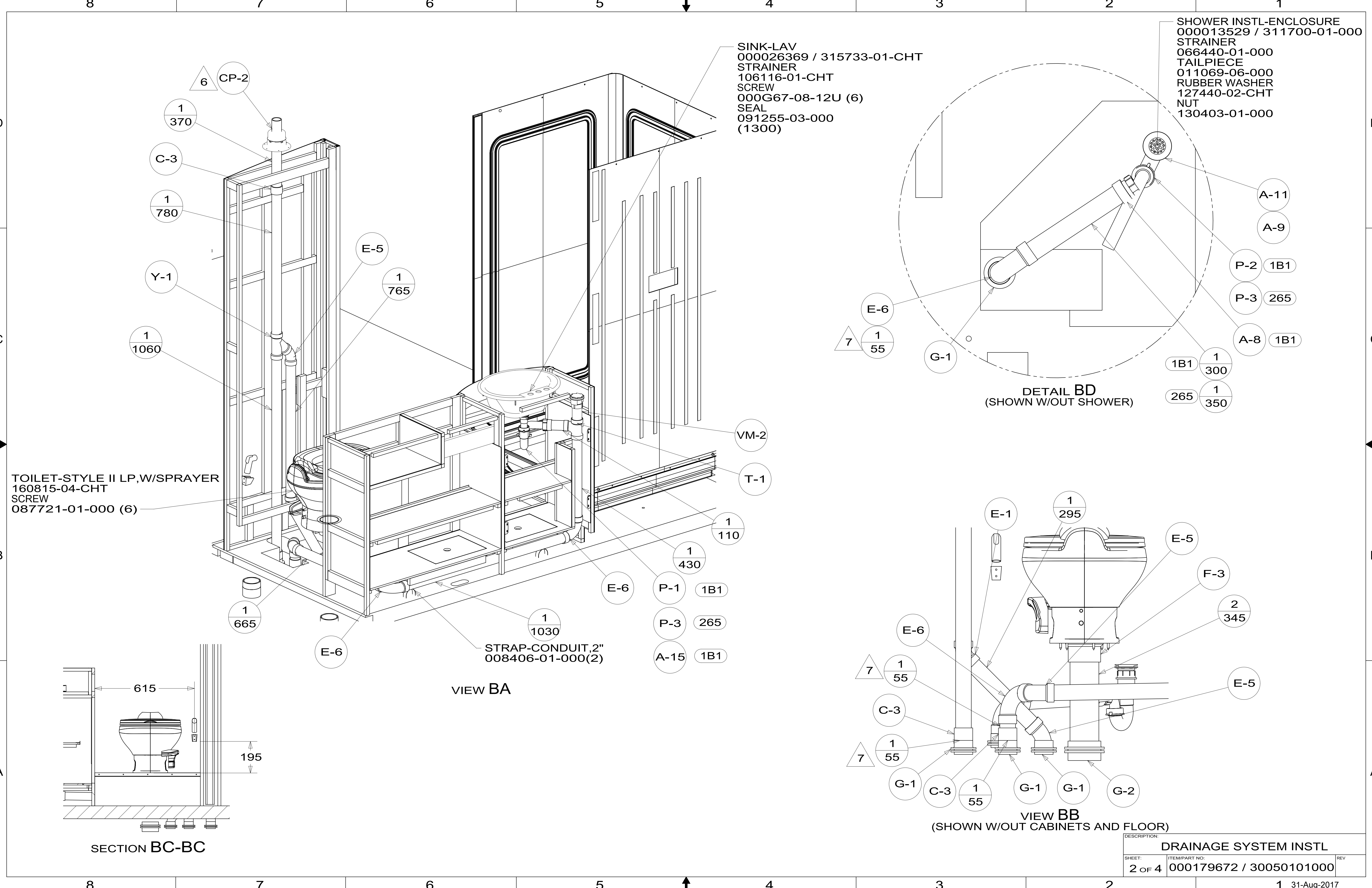
NOTES:

265 CODES/STDS-CSA/CMVSS  
1B1 CODES/STANDARDS-USA

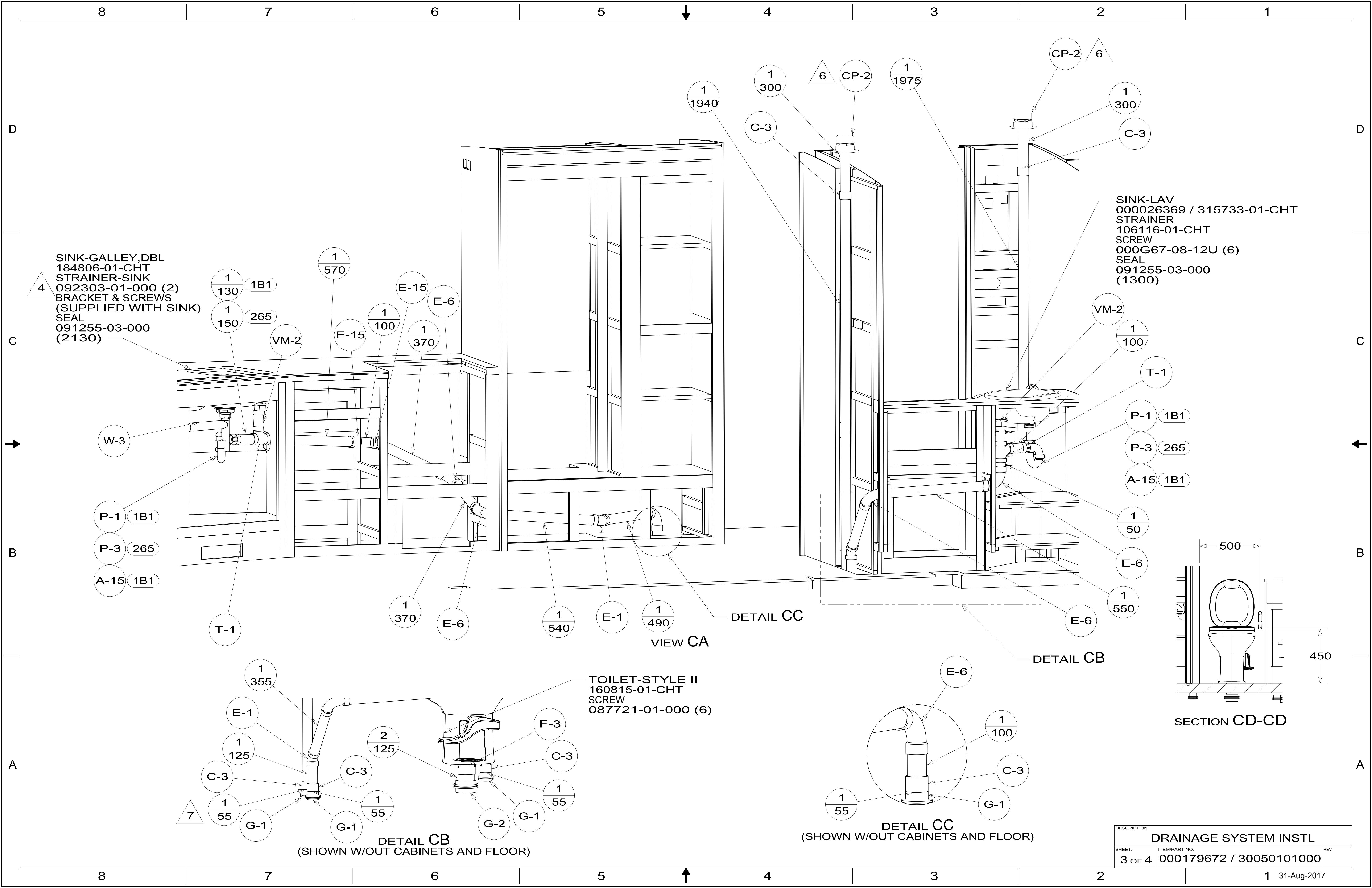
X-X  
FOR DRAINAGE CALLOUTS SEE DWG NO. 000211962 / 303370-01-000

<b>WINNEBAGO</b> COPYRIGHT 2017 WINNEBAGO INDUSTRIES, INC.	
DSNR:	ALL DIMENSIONS ARE IN MILLIMETERS
DIFFR:	MATERIAL:
UNSPECIFIED TOLERANCES:	
WHOLE DIM (X) :	3
ONE-PLACE (X.X) :	1.5
TWO-PLACE (X.XX) :	0.50
ANGLE :	1°
REFER TO ES0018 FOR FASTENER TIGHTENING GUIDELINES	WEIGHT: (LBS) FIRST USED: (REF) <b>16 E35B</b>
<b>DESCRIPTION:</b> <b>DRAINAGE SYSTEM INSTL</b>	
SHEET: <b>1 OF 4</b>	ITEM/PART NO.: <b>000179672 / 30050101000</b>
REF: <b>1 31-Aug-2017</b>	

8 7 6 5 4 3 2 1



DESCRIPTION: <b>DRAINAGE SYSTEM INSTL</b>		
SHEET: 2 OF 4	ITEM/PART NO: 000179672 / 30050101000	REV
		1 31-Aug-2017

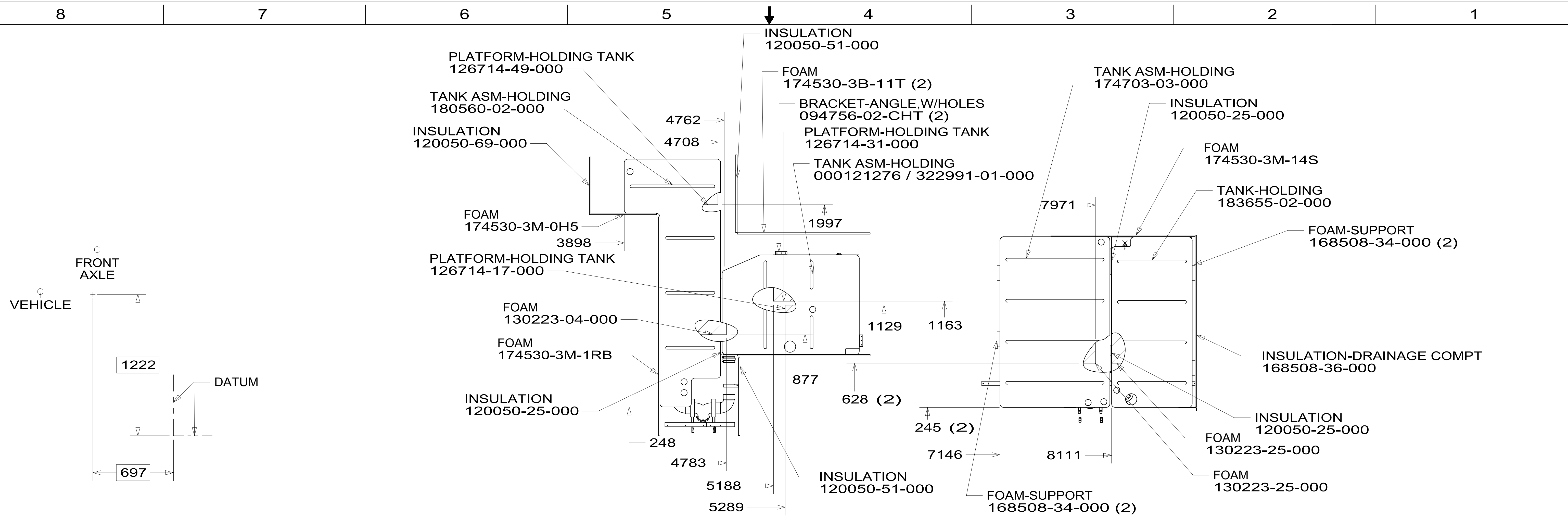


SINK-GALLEY, DBL  
 184806-01-CHT  
 STRAINER-SINK  
 092303-01-000 (2)  
 BRACKET & SCREWS  
 (SUPPLIED WITH SINK)  
 SEAL  
 091255-03-000  
 (2130)

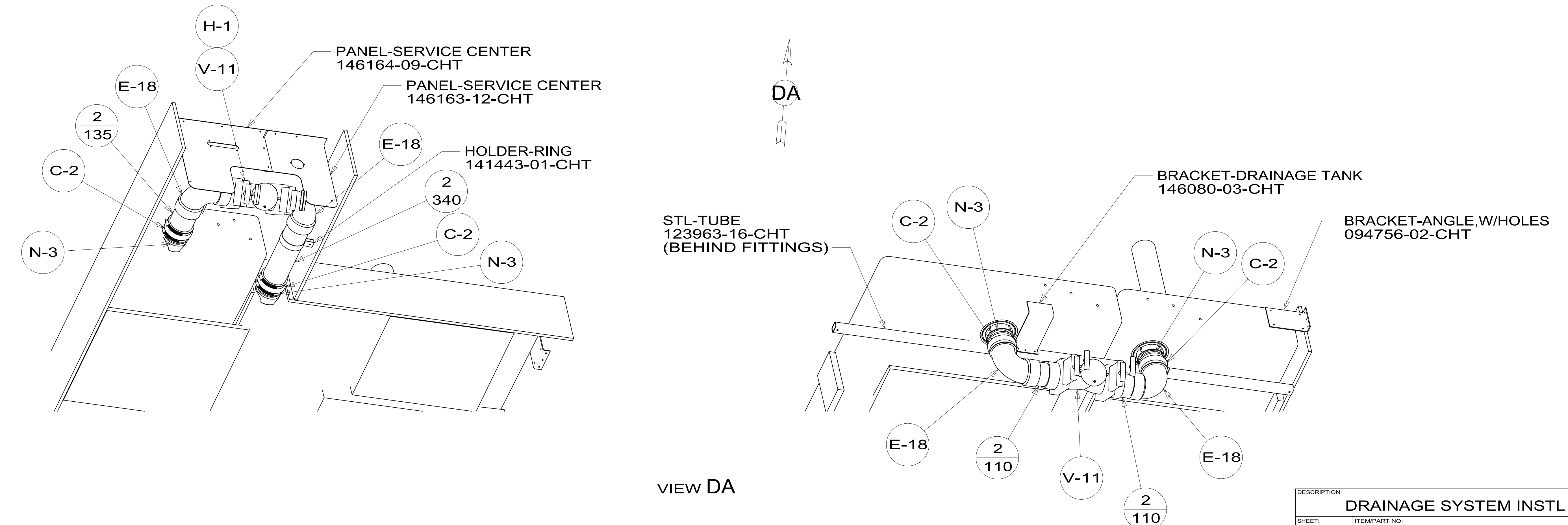
SINK-LAV  
 00026369 / 315733-01-CHT  
 STRAINER  
 106116-01-CHT  
 SCREW  
 000G67-08-12U (6)  
 SEAL  
 091255-03-000  
 (1300)

TOILET-STYLE II  
 160815-01-CHT  
 SCREW  
 087721-01-000 (6)

DESCRIPTION: DRAINAGE SYSTEM INSTL		
SHEET: 3 OF 4	ITEM/PART NO: 000179672 / 30050101000	REV



**TOP VIEW SHOWING TANKS AND DRAINS**



VIEW DA

DESCRIPTION:		
DRAINAGE SYSTEM INSTL		
SHEET:	ITEM/PART NO:	REV
4 OF 4	000179672 / 30050101000	