

FRONT
OF
COACH

9. SEE DRAWING 061607 FOR INSTALLATION OF GROMMETS.
8. SECURE DRAINAGE PIPES TO CABINET USING WIRE TIE 108046-02-000, AND SCREW 000G67-10-12U AT INTERVALS OF NOT OF NOT MORE THAN 4 FEET APART.
7. SECURE VENT PIPE TO TANK WITH CLAMP 062401-02-000.
6. VENT PIPE MUST PROJECT 51 MIN AND 64 MAX ABOVE ROOF FOR PROPER FIT AND FUNCTION. ADD S-1 (116666-01-CHT SEAL-VENT PIPE) AROUND PIPE ON ROOF BEFORE VENT CAP IS INSTALLED.
5. SEAL AROUND SHOWER WITH SILICONE.
4. USE SMOOTH PLUMBERS PUTTY 167459-01-000 TO SEAL STRAINER (0.2 PER STRAINER).
3. ALL PIPE AND FITTINGS TO BE ASSEMBLED WITH SOLVENT 004020-01-000 (USA), 004020-02-000 (CAN)
2. SLOPE OF TRAP ARM MUST BE 6 PER 305 mm.
1. SLOPE OF HORIZONTAL PIPING TO BE MINIMUM OF 3 PER 305 mm.

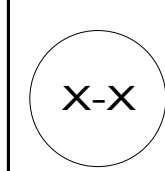
NOTES:

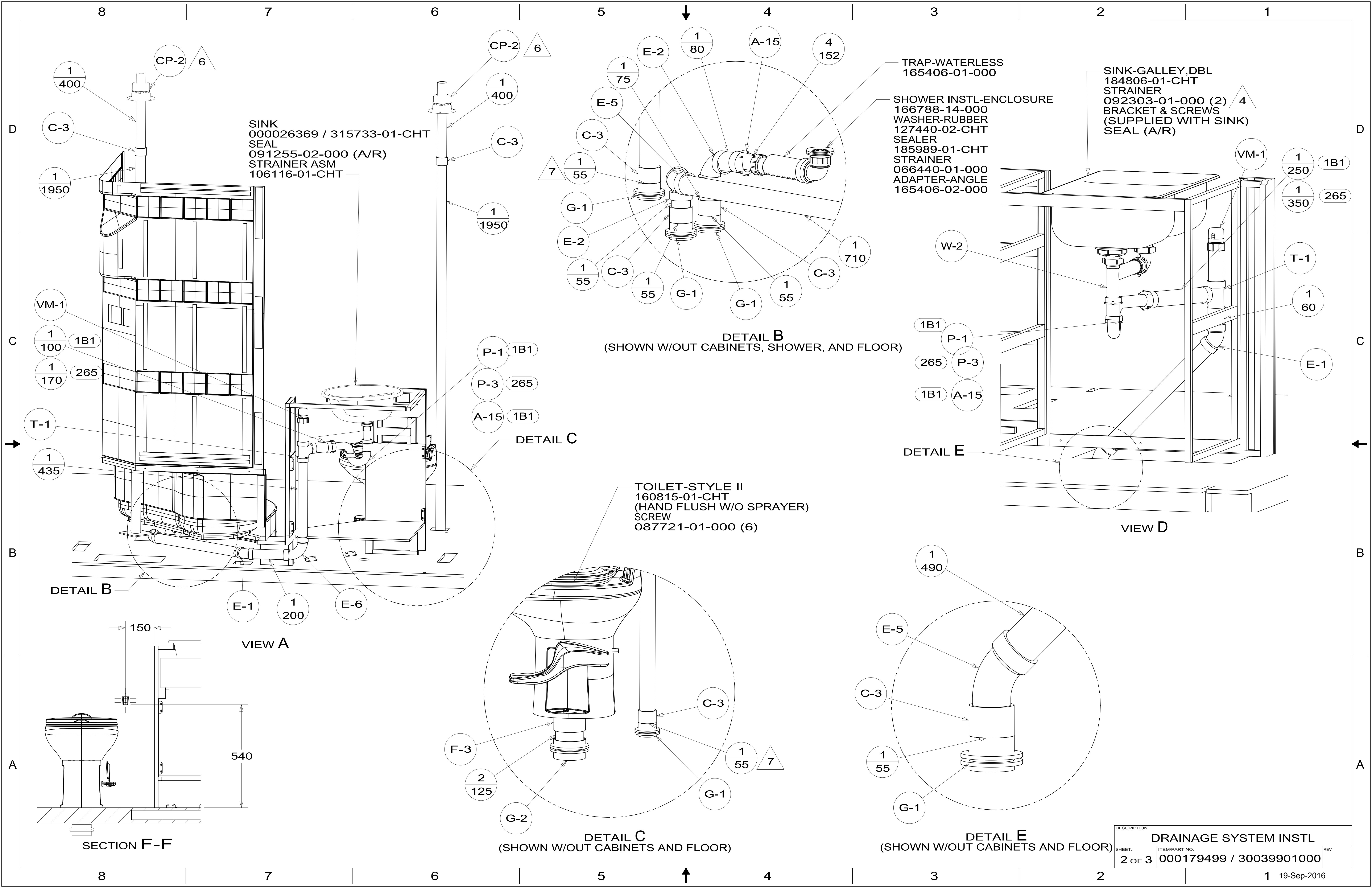
- 265 CODES/STDS-CSA/CMVSS
- 1B1 CODES/STANDARDS-USA



DSNR:		ALL DIMENSIONS ARE IN MILLIMETERS	
DIFFR:		MATERIAL:	
UNSPECIFIED TOLERANCES:			
WHOLE DIM (X)	3		
ONE-PLACE (X.X)	1.5		
TWO-PLACE (X.XX)	0.50		
ANGLE	1°		
REFER TO ES0018 FOR FASTENER TIGHTENING GUIDELINES		WEIGHT: (LBS)	FIRST USED: (REF)
			17 E27N
DESCRIPTION: DRAINAGE SYSTEM INSTL			
SHEET:	ITEM/PART NO.:	REV	
1 OF 3	000179499 / 30039901000		

FOR
DRAINAGE
CALLOUTS
SEE DWG NO.
000211962 /
303370-01-000





SINK
 000026369 / 315733-01-CHT
 SEAL
 091255-02-000 (A/R)
 STRAINER ASM
 106116-01-CHT

TRAP-WATERLESS
 165406-01-000

SHOWER INSTL-ENCLOSURE
 166788-14-000
 WASHER-RUBBER
 127440-02-CHT
 SEALER
 185989-01-CHT
 STRAINER
 066440-01-000
 ADAPTER-ANGLE
 165406-02-000

SINK-GALLEY, DBL
 184806-01-CHT
 STRAINER
 092303-01-000 (2)
 BRACKET & SCREWS
 (SUPPLIED WITH SINK)
 SEAL (A/R)

DETAIL B
 (SHOWN W/OUT CABINETS, SHOWER, AND FLOOR)

DETAIL C

TOILET-STYLE II
 160815-01-CHT
 (HAND FLUSH W/O SPRAYER)
 SCREW
 087721-01-000 (6)

DETAIL C
 (SHOWN W/OUT CABINETS AND FLOOR)

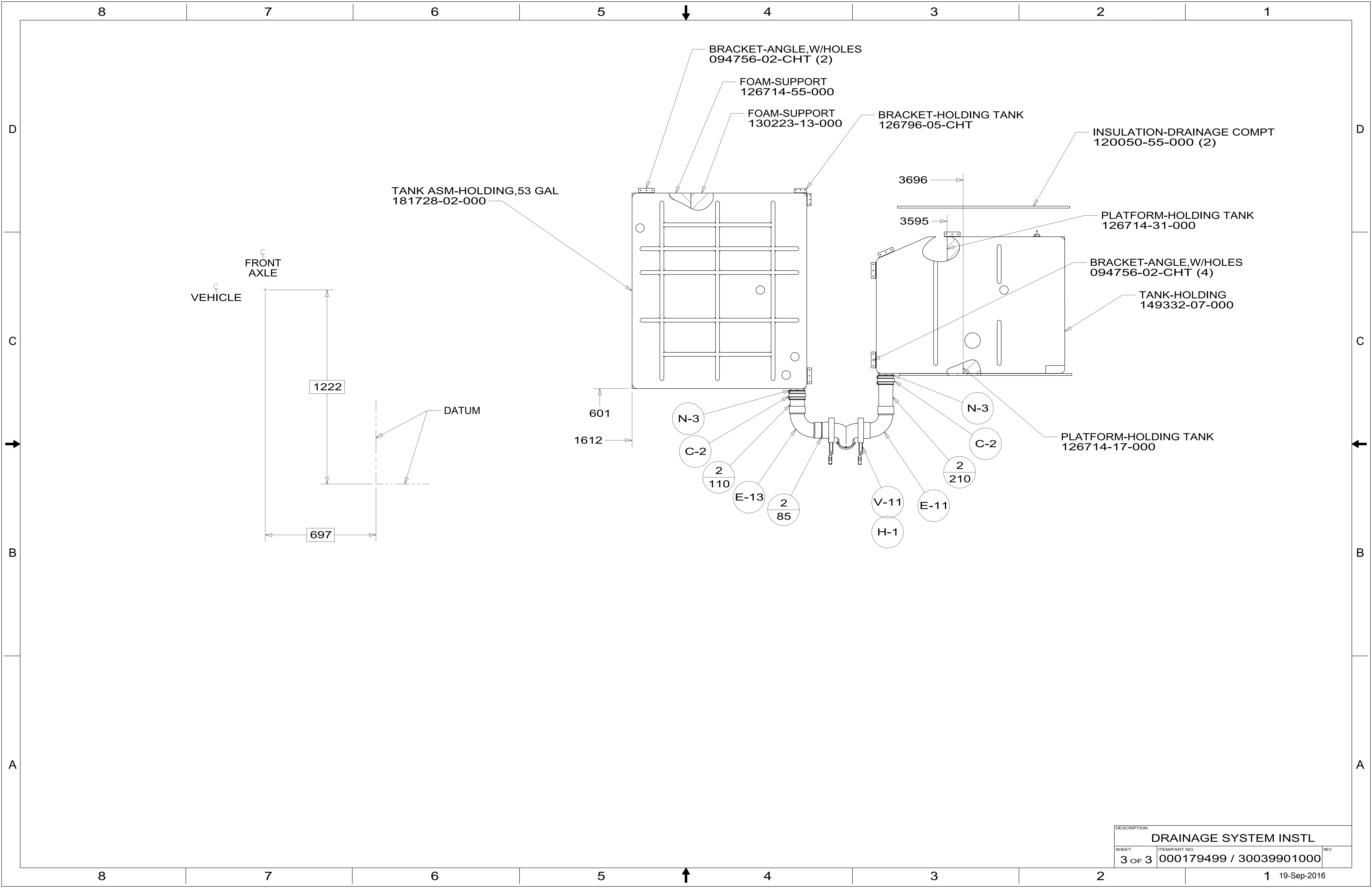
DETAIL E
 (SHOWN W/OUT CABINETS AND FLOOR)

VIEW A

VIEW D

SECTION F-F

DESCRIPTION:		
DRAINAGE SYSTEM INSTL		
SHEET:	ITEM/PART NO.:	REV
2 OF 3	000179499 / 30039901000	



DESCRIPTION:		
DRAINAGE SYSTEM INSTL		
SHEET:	ITEM/PART NO:	REV
3 OF 3	000179499 / 30039901000	