

VIDEO SWITCHER
193571-01-000
BRACKET
156586-01-CHT
DUAL LOCK
85774-01-000 (200 MM) (2)
85774-02-000 (200 MM) (2)

78K SWITCH-SATELLITE
186102-04-CHT
DETAIL AC

RCP-2 (PUR-2)
OVHD

RCP-2S (PUR-2)
OVHD

1 TRANSMITTER-IR
149750-11-000 (2)

1JM SWITCH
DETAIL AB

1JM CONVERTER-
AUDIO OUTPUT
173726-01-000

CONVERTER-HDMI/CAT6
(TRANSMITTER)
178304-02-000
DUAL LOCK
85774-01-000 (50 MM) (2)
85774-02-000 (50 MM) (2)

MODULE-INTERFACE,
IR IMPACT
149750-09-000
WIRE ASM-
EXTENSION, 2 PIN
000028274 / 316209-01-000
DETAIL AA

1JM DVD-HOME THEATER
180079-03-000
WIRE ASM-JUMPER
153349-11-000
FASTENER-DUAL LOCK
85774-01-000 (2-300 MM)
85774-02-000 (2-300 MM)

RCP-2S (PUR-2)
OVHD

BRACKET-VIDEO SWITCH
156586-13-CHT
SCREW
G11-08-12U (4)

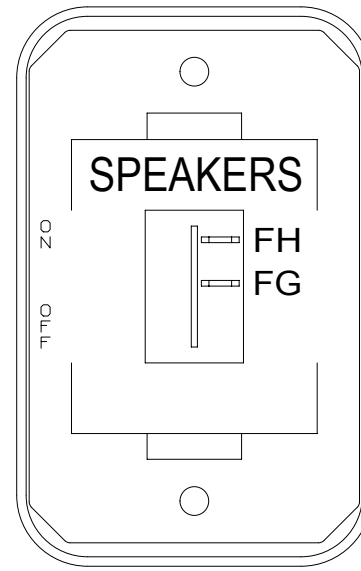
CONVERTER-HDMI/CAT6
(TRANSMITTER)
(SATELLITE PREP)
178304-02-000
DUAL LOCK
85774-01-000 (50 MM) (2)
85774-02-000 (50 MM) (2)

CONVERTER-HDMI/CAT6
(RECEIVER) (SATELLITE PREP)
DUAL LOCK
85774-01-000 (50 MM) (2)
85774-02-000 (50 MM) (2)
TO SIDEWALL

CONVERTER-HDMI/CAT6
(RECEIVER) (DVD HOME THEATER)
DUAL LOCK
85774-01-000 (50 MM) (2)
85774-02-000 (50 MM) (2)
TO SIDEWALL

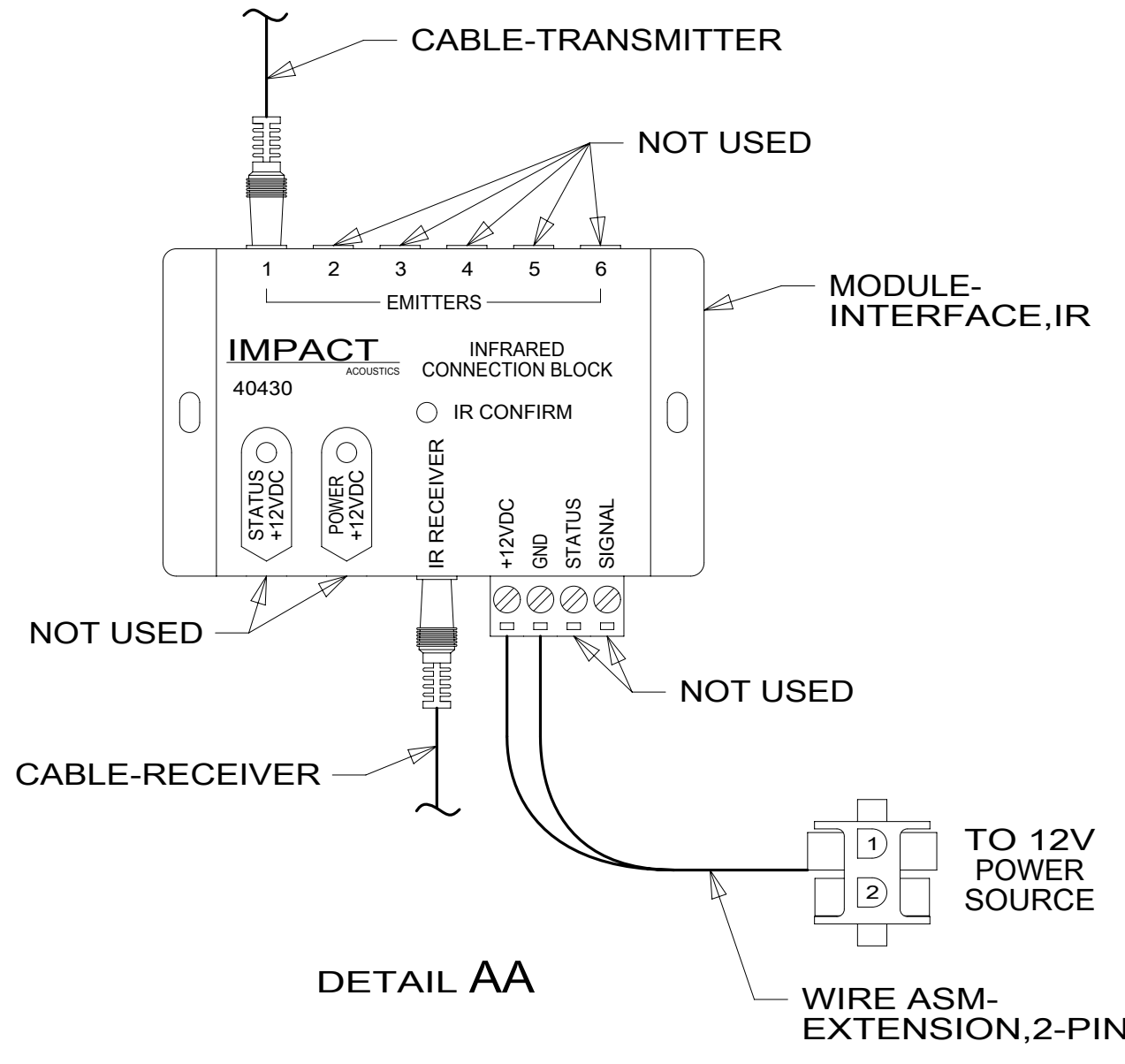
TV-48", FLAT
PANEL LED, HDTV
194365-01-000
BOLT
OMG02B-06-016 (4)
CONDUIT-CONVOLUTE
41953-03-000 (500)
TIE-WIRE
8343-04-000 (4)
SCREW
OMG02U-06-016 (4)

RECEIVER-IR, IMPACT
149750-13-000



DETAIL AB

SWITCH-ROCKER
135740-01-CHT
SWITCH-BASE
135741-01-CHT
SWITCH-BEZEL
135742-60-CHT
SCREW
G11-08-08U (2)

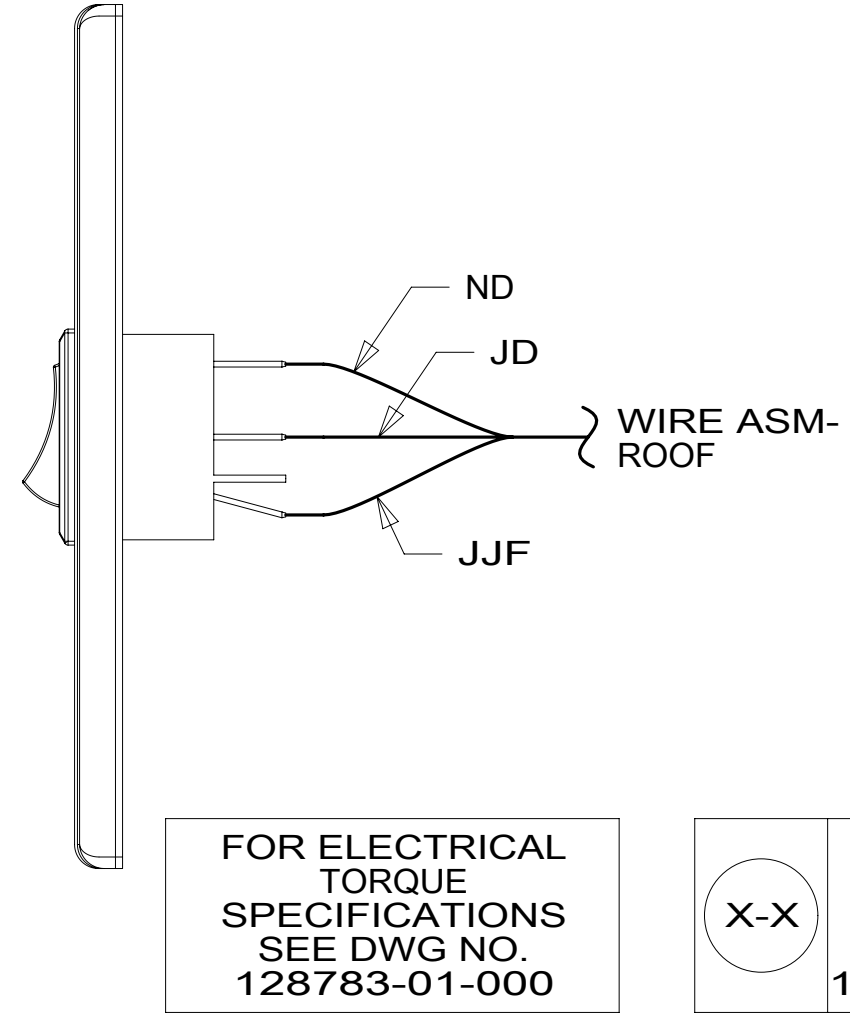


DETAIL AA

SWITCH-
SATELLITE
(REF)

SCREW
G12-06-12U (2)

DETAIL AC



FOR ELECTRICAL
TORQUE
SPECIFICATIONS
SEE DWG NO.
128783-01-000

FOR
ELECTRICAL
CALLOUTS
SEE DWG NO.
121339-01-000

- 1JM HOME THEATER SOUND SYSTEM
- 78K SATELLITE TV SYSTEM AUTO
- 1JM ENTERTAIN CENTR/EXT TV-DVD
- 193 TV ANT-DIGITAL AMPLIFIED
- 265 CODES/STANDARDS-CSA/CMVSS
- 1B1 CODES/STANDARDS USA

WINNEBAGO COPYRIGHT 2016 WINNEBAGO INDUSTRIES, INC.		ALL DIMENSIONS ARE IN MILLIMETERS
DSNR:		
DIFR:		MATERIAL:
UNSPECIFIED TOLERANCES:		
WHOLE DIM (X)	3	
ONE-PLACE (X.X)	1.5	
TWO-PLACE (X.XX)	0.50	
ANGLE	1°	
REFER TO ES0018 FOR FASTENER TIGHTENING GUIDELINES	WEIGHT: (LBS)	FIRST USED: 16 D35G
DESCRIPTION: WIRING INSTL-TV/DVD		
SHEET: 1 OF 3	ITEM/PART NO: 000179478 / 30034101000	REV:
REF:		1 09-Dec-2016

1 POSITION IR EMITTER OVER IR RECEIVER ON DVD PLAYER.

NOTES:

A

D

C

B

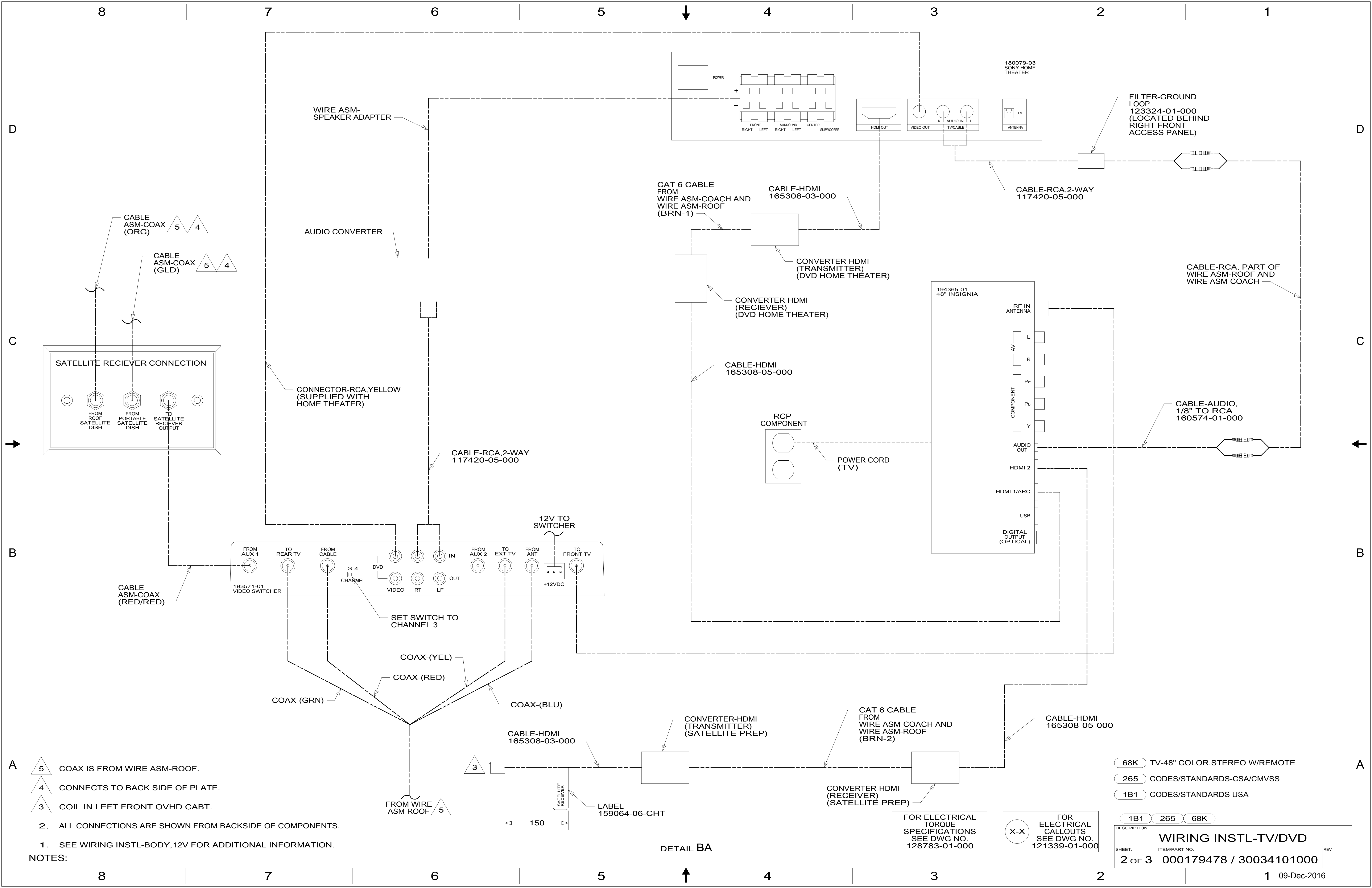
A

D

C

B

A



- 5 COAX IS FROM WIRE ASM-ROOF.
- 4 CONNECTS TO BACK SIDE OF PLATE.
- 3 COIL IN LEFT FRONT OVHD CABT.

2. ALL CONNECTIONS ARE SHOWN FROM BACKSIDE OF COMPONENTS.

1. SEE WIRING INSTL-BODY, 12V FOR ADDITIONAL INFORMATION.

NOTES:

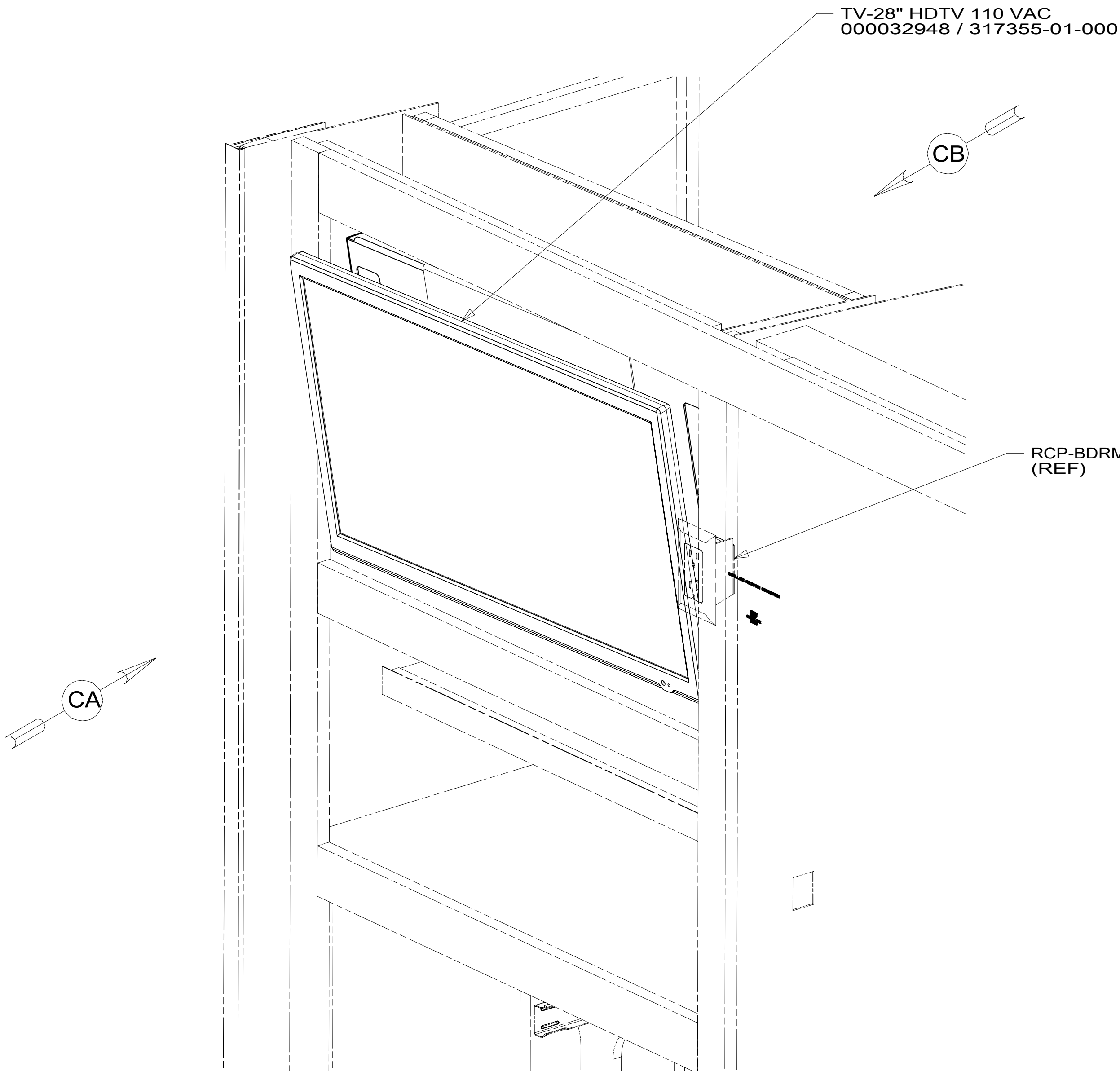
- 68K TV-48" COLOR, STEREO W/REMOTE
- 265 CODES/STANDARDS-CSA/CMVSS
- 1B1 CODES/STANDARDS USA

DESCRIPTION: WIRING INSTL-TV/DVD		
SHEET: 2 OF 3	ITEM/PART NO: 000179478 / 30034101000	REV
1 09-Dec-2016		

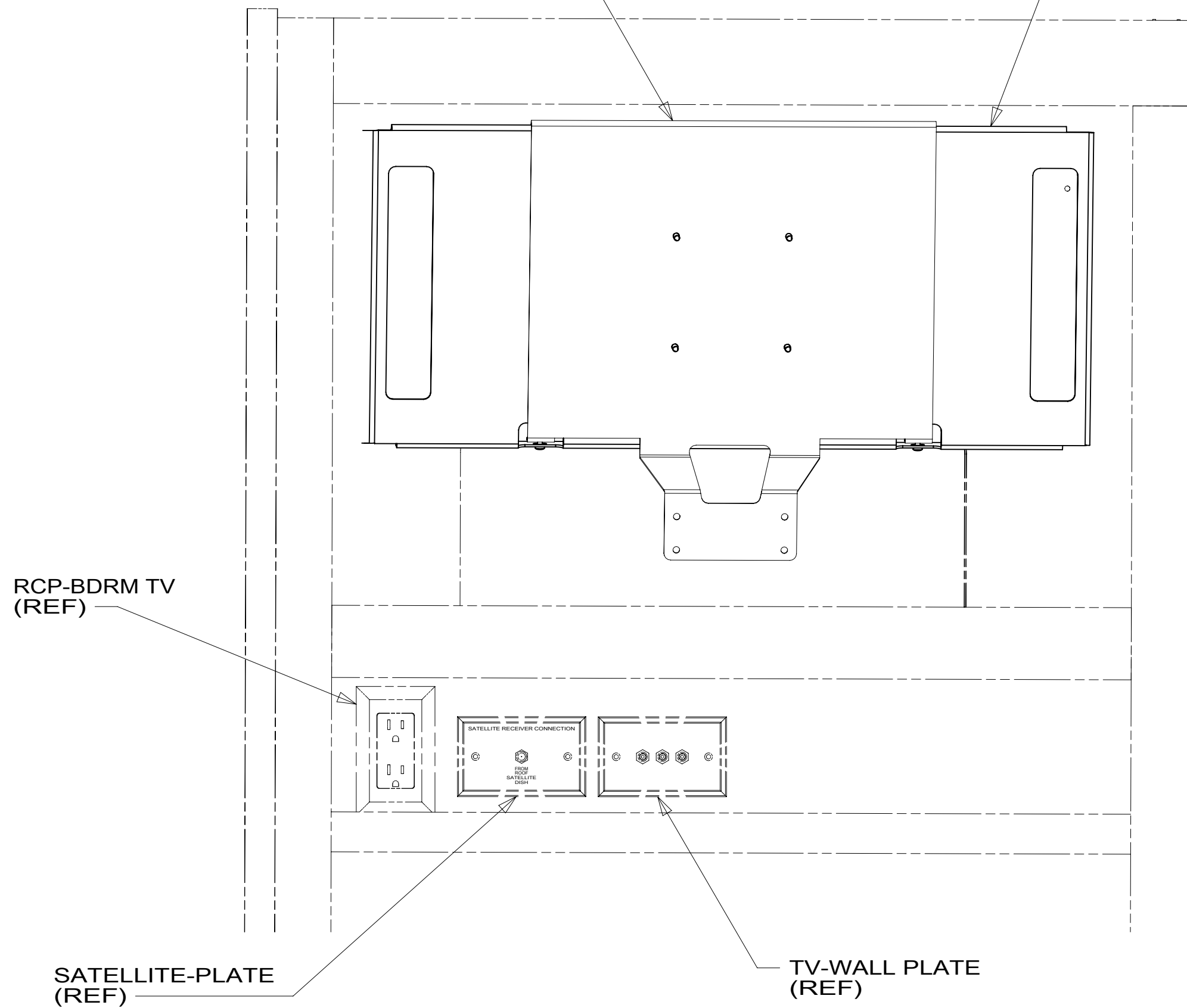
FOR ELECTRICAL TORQUE SPECIFICATIONS SEE DWG NO. 128783-01-000

FOR ELECTRICAL CALLOUTS SEE DWG NO. 121339-01-000

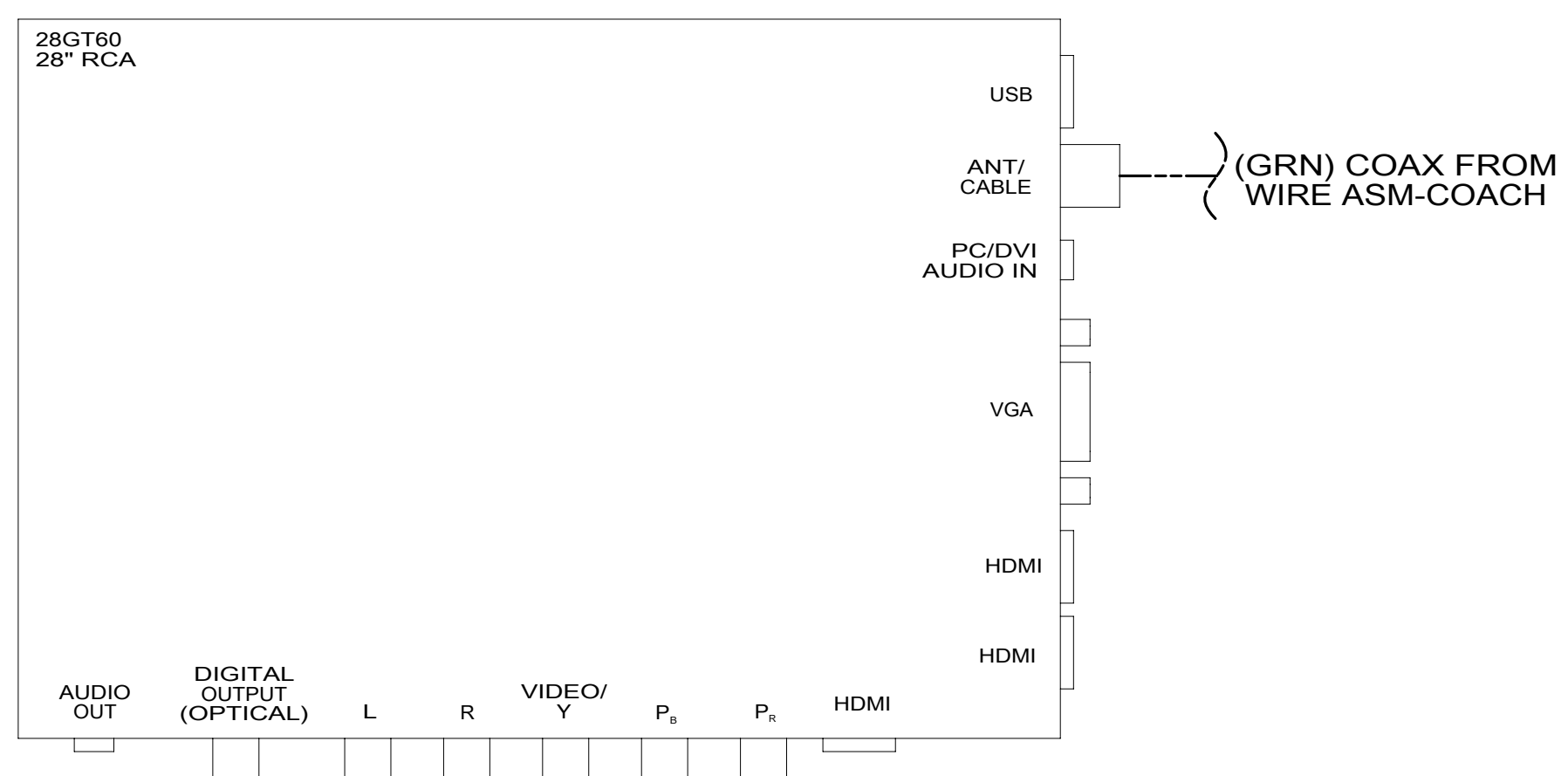
DETAIL BA



- PLATE-MOUNTING,TV,28"RCA
000037837 / 318677-01-CHT
SCREW (VESA MOUNT)
OMG02U-05-012 (4)
SCREW (LOWER SUPPORT)
(SUPPLIED W/TV)
SCREW (BOTTOM FLANGE)
000G39-08-12U (2)
- SUPPORT-MOUNTING,TV
166616-10-CHT
SCREW
G39-08-12U (6)



VIEW CA
(TV NOT SHOWN)



VIEW CB

- 61M TV(REAR)-28" COLOR STEREO
- 265 CODES/STANDARDS-CSA/CMVSS
- 1B1 CODES/STANDARDS USA

FOR ELECTRICAL
TORQUE
SPECIFICATIONS
SEE DWG NO.
128783-01-000

FOR
ELECTRICAL
CALLOUTS
SEE DWG NO.
121339-01-000

DESCRIPTION:	1B1 265 61M	
WIRING INSTL-TV/DVD		
SHEET:	ITEM/PART NO:	REV
3 OF 3	000179478 / 30034101000	