

- 9 REMOVE SWIVEL NUT ON TRAP-WATERLESS 165406-01-000, AND CONNECT P-6.
- 8 USE SMOOTH PLUMBERS PUTTY 167459-01-000 TO SEAL STRAINER (0.2 PER STRAINERS).
- 7 TRIM TO FIT.
- 6 VENT PIPE MUST PROJECT 51 MIN AND 64 MAX ABOVE ROOF FOR PROPER FIT AND FUNCTION.
- 5. SEAL AROUND SHOWER WITH SILICONE.
- 4. SECURE DRAINAGE PIPES TO CABINET USING WIRE TIE 108046-02-000, AND SCREW 000G67-10-12B AT INTERVALS OF NOT MORE THAN 4 FEET APART.
- 3. ALL PIPE AND FITTINGS TO BE ASSEMBLED WITH SOLVENT 004020-01-000 (USA), 004020-02-000 (CAN).
- 2. SLOPE OF TRAP ARM MUST BE 6 PER 305 mm.
- 1. SLOPE OF HORIZONTAL PIPING TO BE MINIMUM OF 3 PER 305 mm.

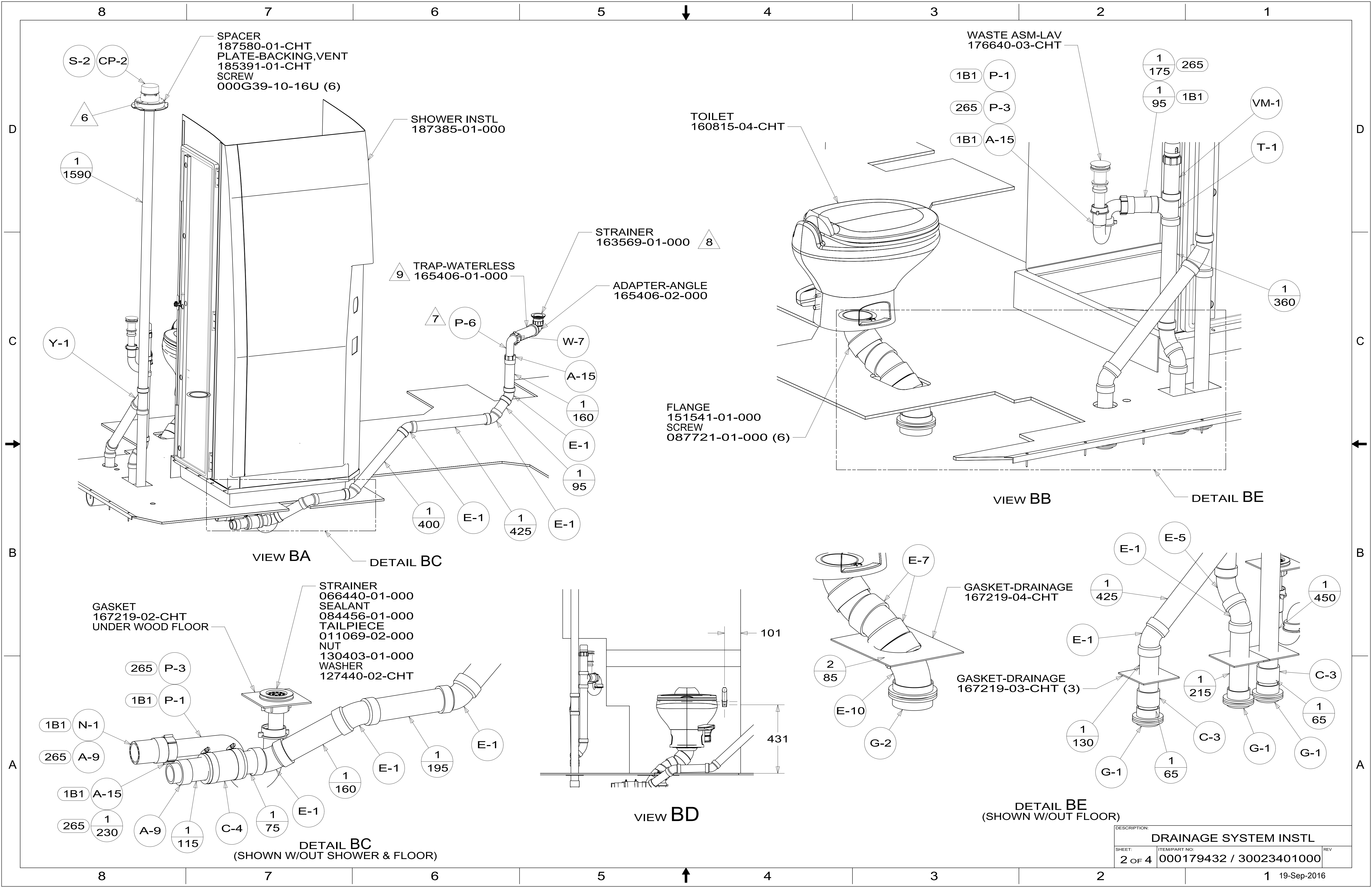
NOTES:

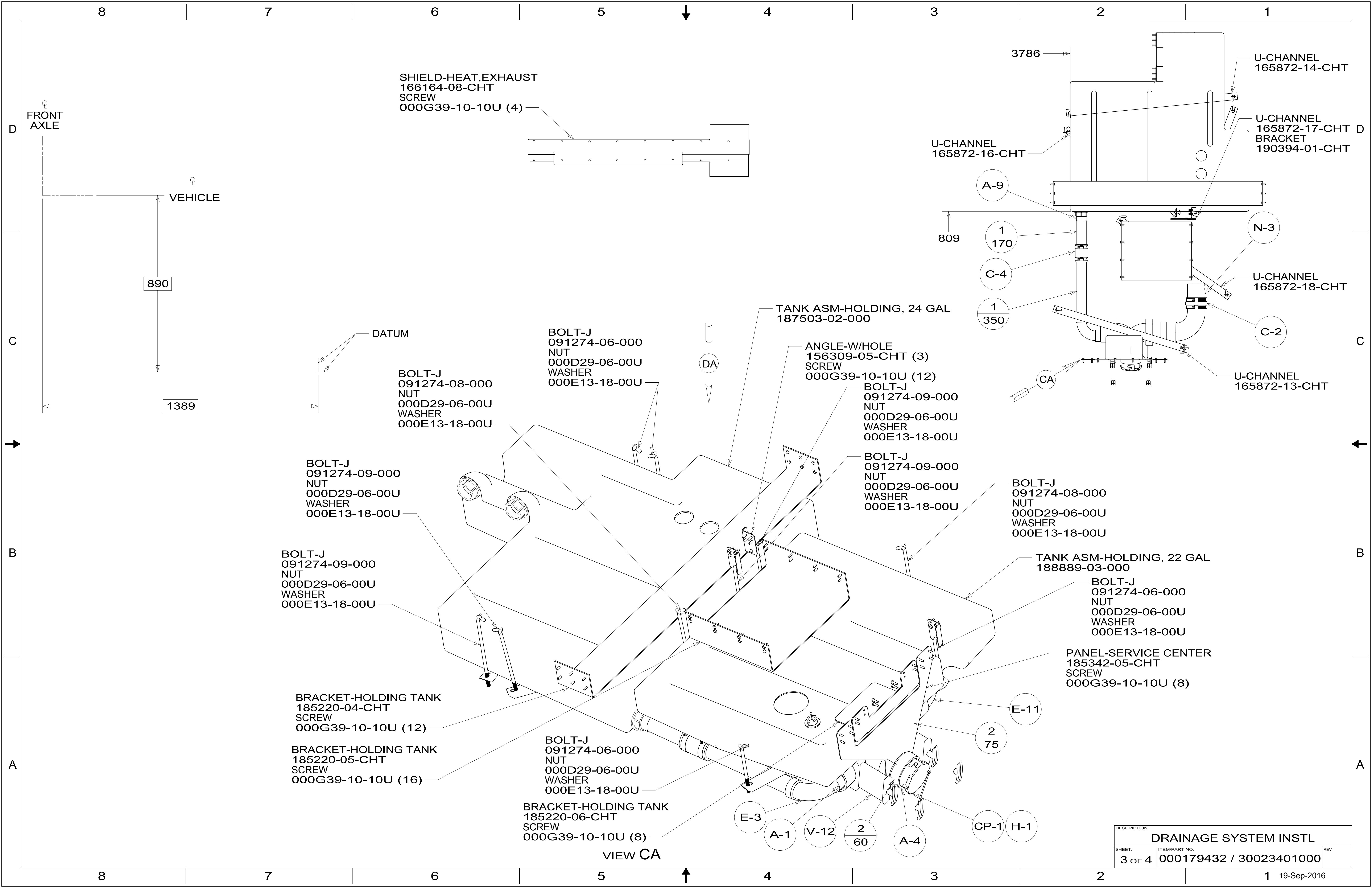
- 265 CODES/STANDARDS-CSA/CMVSS
- 1B1 CODES/STANDARDS USA



DSNR:		ALL DIMENSIONS ARE IN MILLIMETERS		
DIFFR:				
UNSPECIFIED TOLERANCES:	MATERIAL:			
WHOLE DIM (X) :	3			
ONE-PLACE (X.X) :	1.5			
TWO-PLACE (X.XX) :	0.50			
ANGLE :	1°			
REFER TO ES0018 FOR FASTENER TIGHTENING GUIDELINES		WEIGHT: (LBS)	FIRST USED: (REF)	
<b>DESCRIPTION:</b>				
<b>DRAINAGE SYSTEM INSTL</b>				
SHEET:	ITEM/PART NO.:	REV		
1 OF 4	000179432 / 30023401000			

X-X  
 FOR DRAINAGE CALLOUTS  
 SEE DWG NO 116229-01-000





SHIELD-HEAT, EXHAUST  
166164-08-CHT  
SCREW  
000G39-10-10U (4)

U-CHANNEL  
165872-16-CHT

U-CHANNEL  
165872-14-CHT

U-CHANNEL  
165872-17-CHT  
BRACKET  
190394-01-CHT

FRONT  
AXLE

VEHICLE

890

1389

DATUM

BOLT-J  
091274-08-000  
NUT  
000D29-06-00U  
WASHER  
000E13-18-00U

BOLT-J  
091274-06-000  
NUT  
000D29-06-00U  
WASHER  
000E13-18-00U

TANK ASM-HOLDING, 24 GAL  
187503-02-000

ANGLE-W/HOLE  
156309-05-CHT (3)  
SCREW  
000G39-10-10U (12)

BOLT-J  
091274-09-000  
NUT  
000D29-06-00U  
WASHER  
000E13-18-00U

BOLT-J  
091274-09-000  
NUT  
000D29-06-00U  
WASHER  
000E13-18-00U

BOLT-J  
091274-08-000  
NUT  
000D29-06-00U  
WASHER  
000E13-18-00U

TANK ASM-HOLDING, 22 GAL  
188889-03-000

BOLT-J  
091274-06-000  
NUT  
000D29-06-00U  
WASHER  
000E13-18-00U

PANEL-SERVICE CENTER  
185342-05-CHT  
SCREW  
000G39-10-10U (8)

BOLT-J  
091274-09-000  
NUT  
000D29-06-00U  
WASHER  
000E13-18-00U

BOLT-J  
091274-09-000  
NUT  
000D29-06-00U  
WASHER  
000E13-18-00U

BRACKET-HOLDING TANK  
185220-04-CHT  
SCREW  
000G39-10-10U (12)

BRACKET-HOLDING TANK  
185220-05-CHT  
SCREW  
000G39-10-10U (16)

BOLT-J  
091274-06-000  
NUT  
000D29-06-00U  
WASHER  
000E13-18-00U

BRACKET-HOLDING TANK  
185220-06-CHT  
SCREW  
000G39-10-10U (8)

A-9

1  
170

C-4

1  
350

N-3

U-CHANNEL  
165872-18-CHT

C-2

U-CHANNEL  
165872-13-CHT

CA

809

2  
75

E-11

E-3

A-1

V-12

2  
60

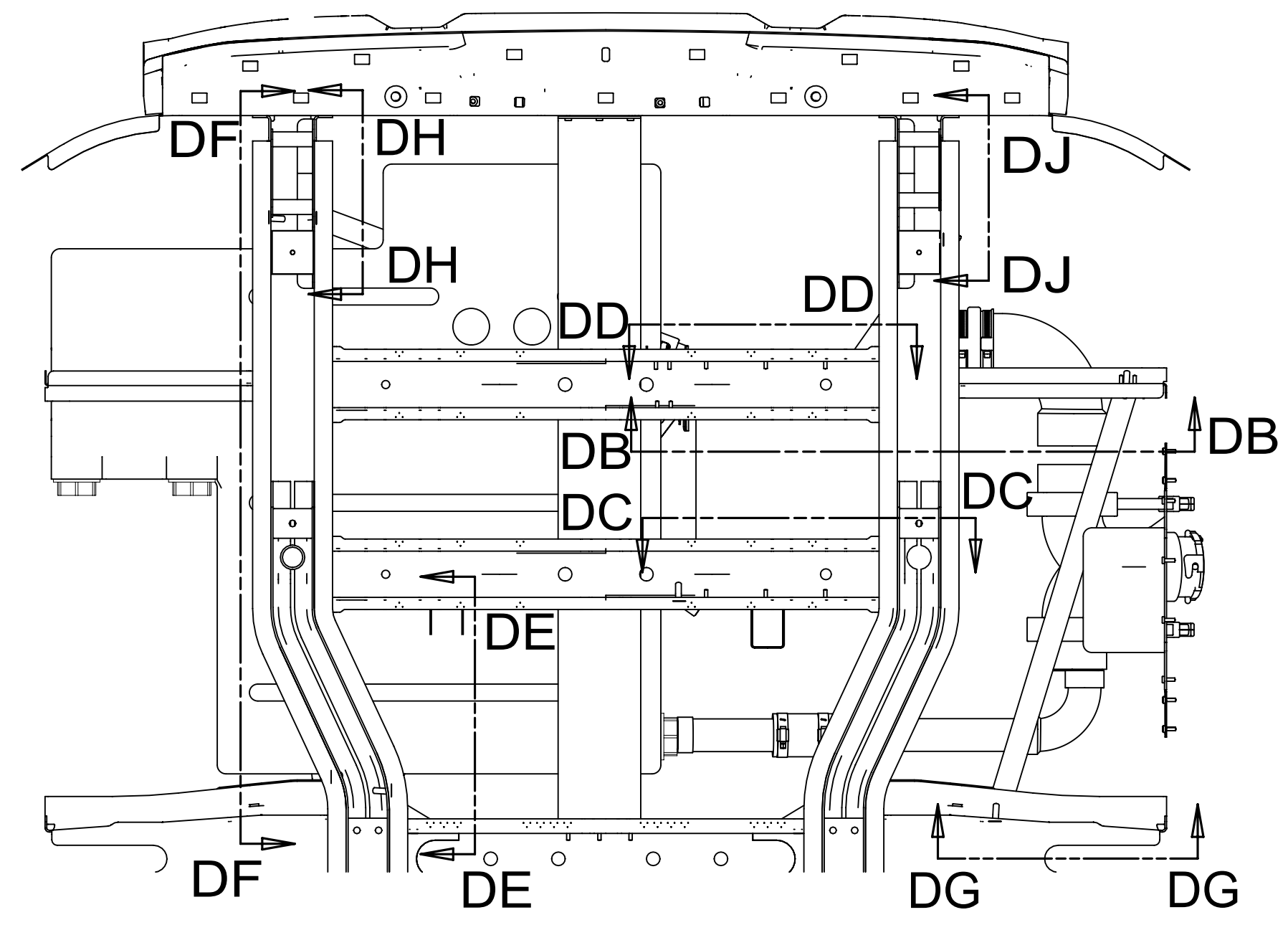
A-4

CP-1

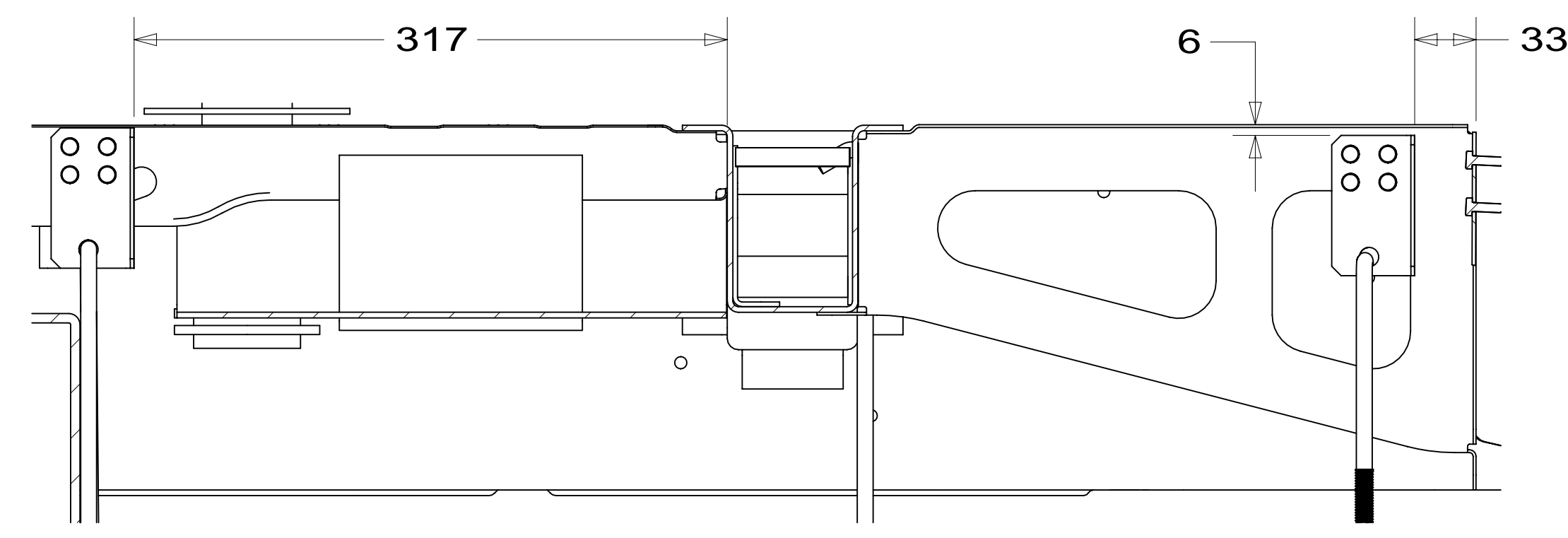
H-1

VIEW CA

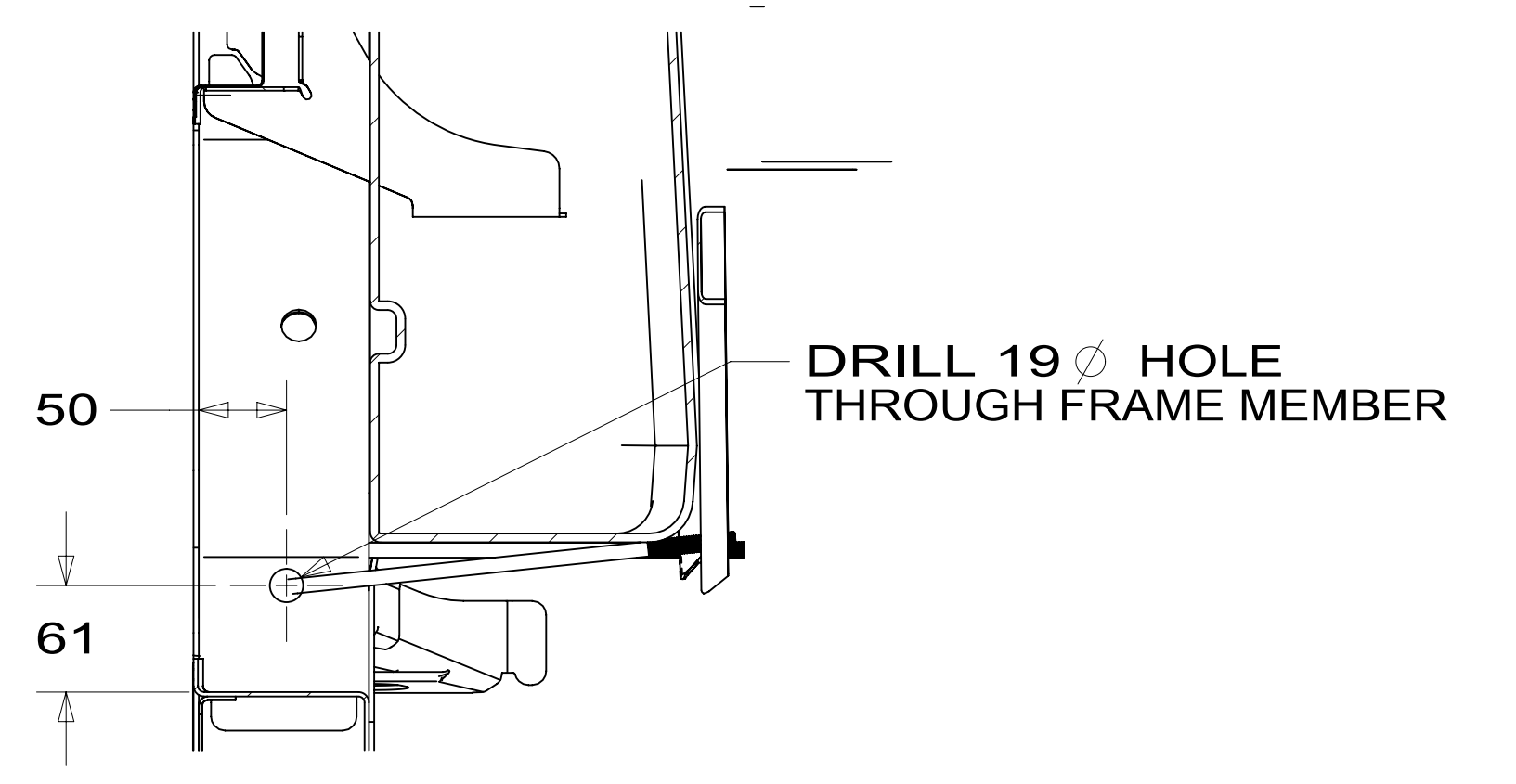
DESCRIPTION:		
DRAINAGE SYSTEM INSTL		
SHEET:	ITEM/PART NO.:	REV
3 OF 4	000179432 / 30023401000	



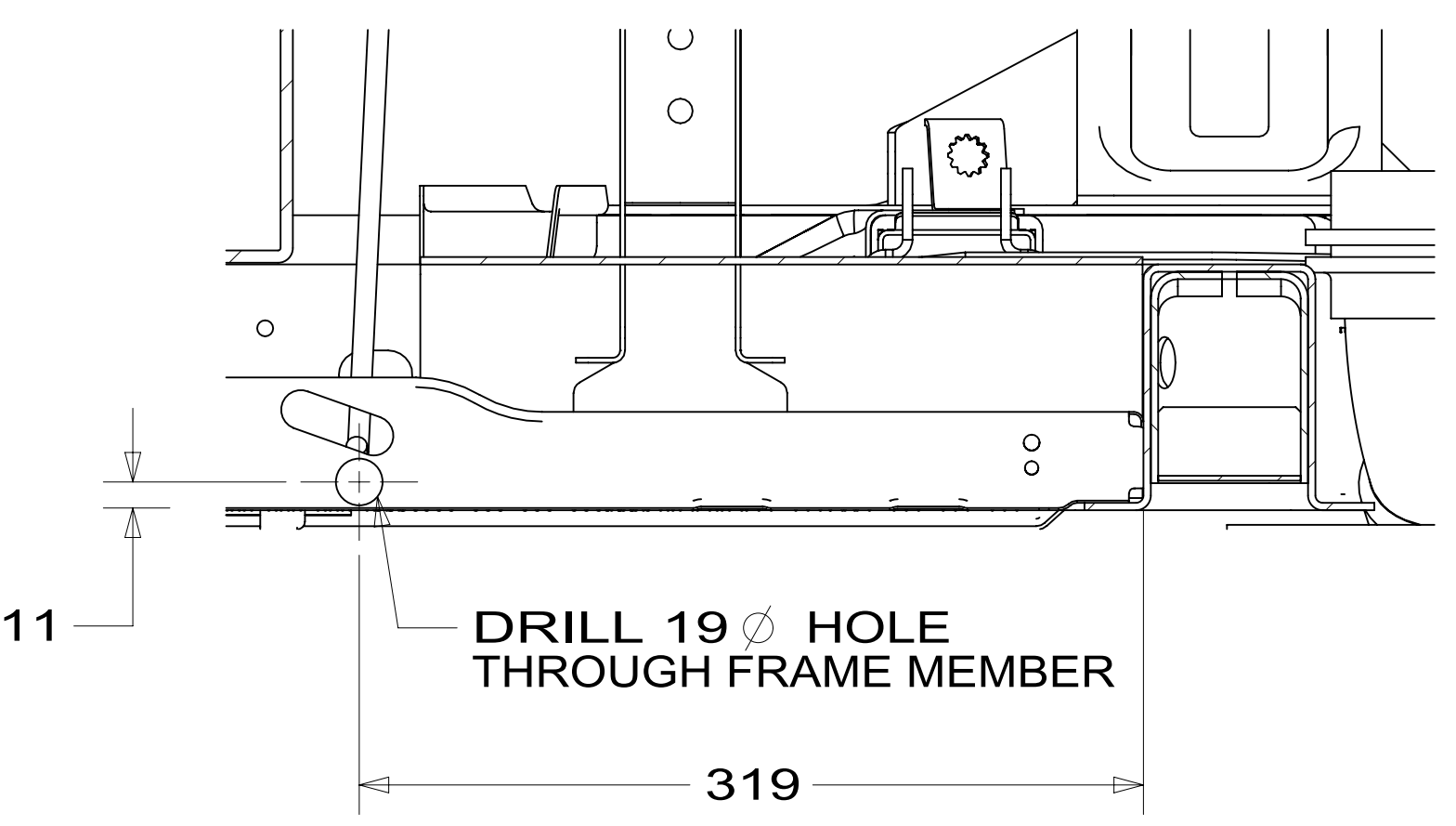
VIEW DA



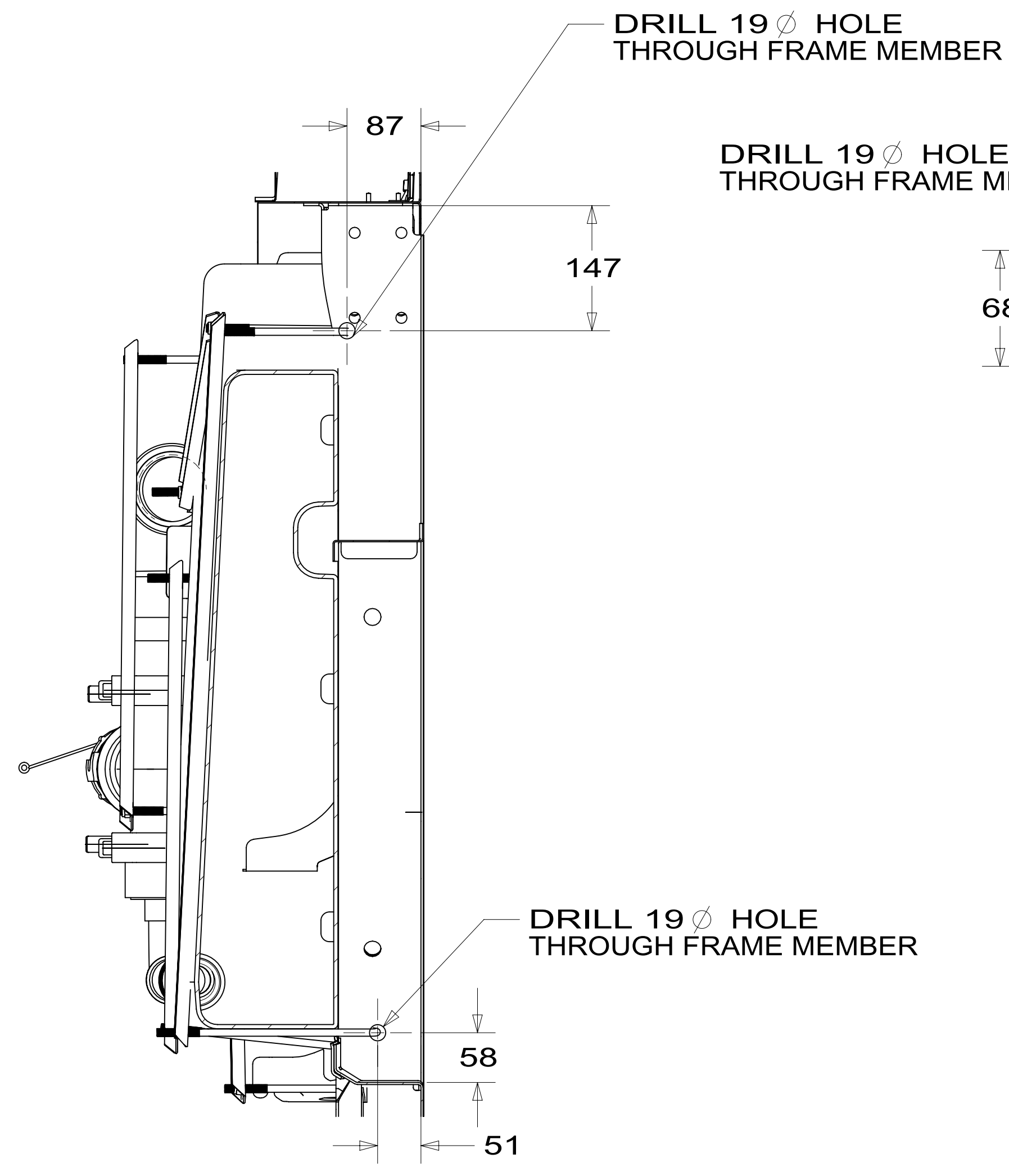
SECTION DB-DB



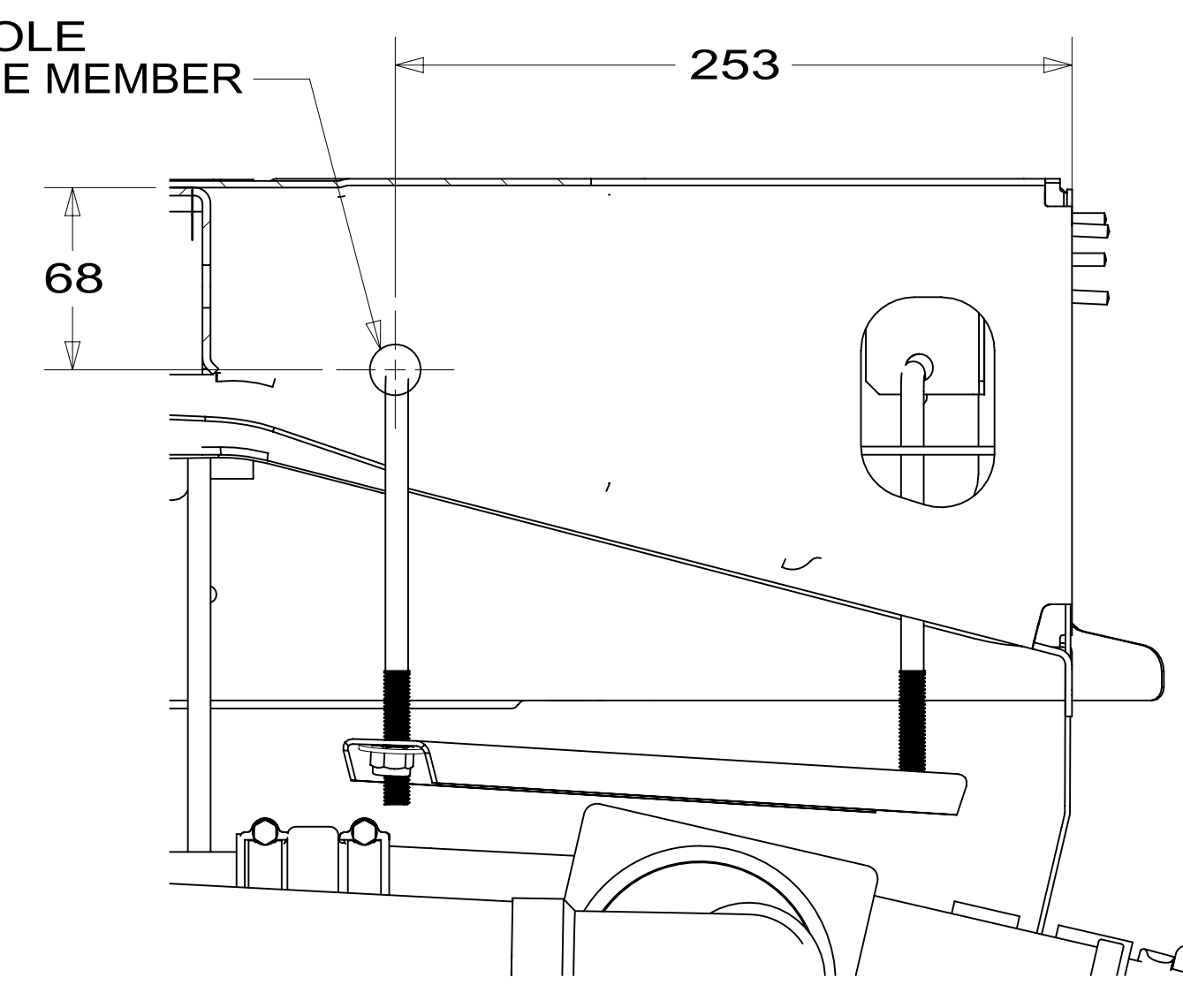
SECTION DE-DE



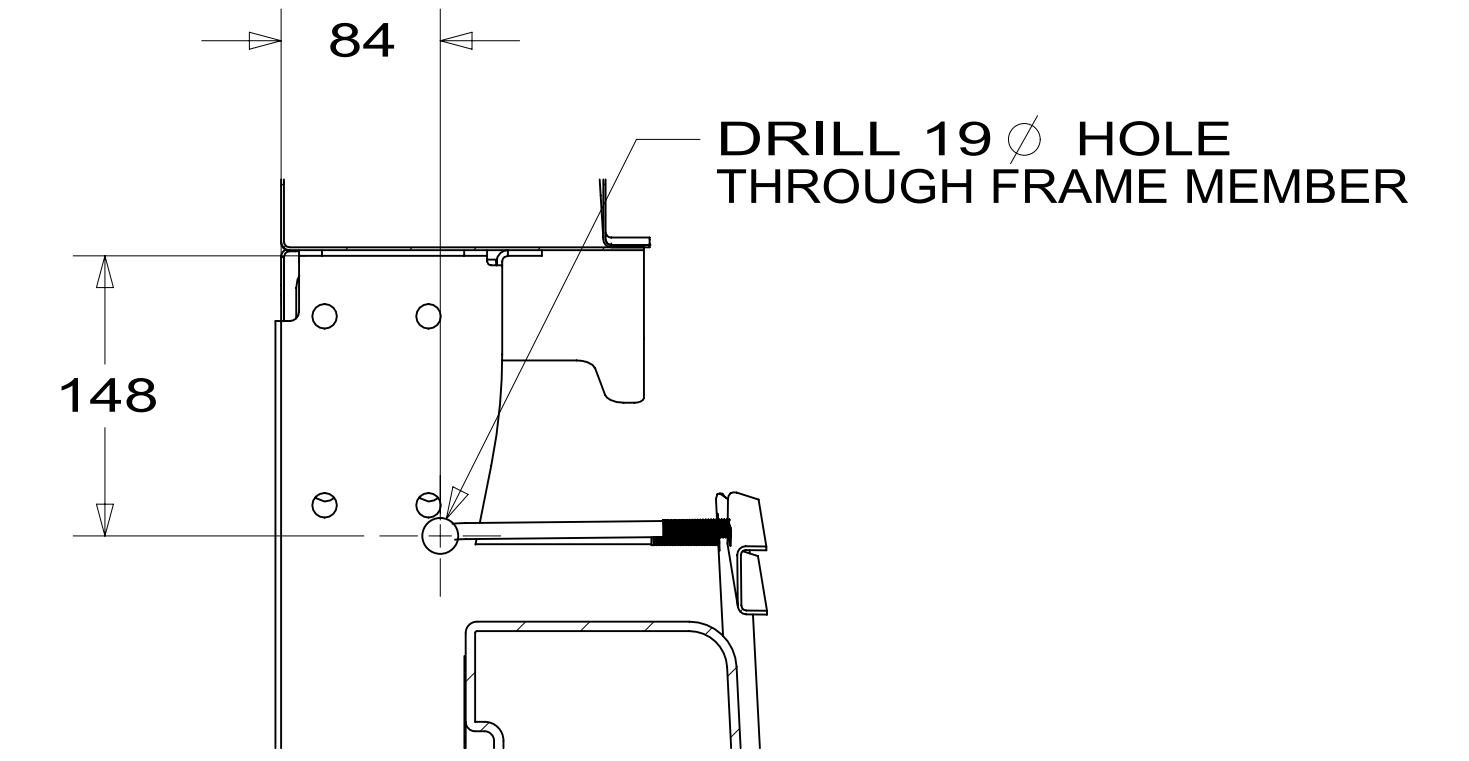
SECTION DC-DC



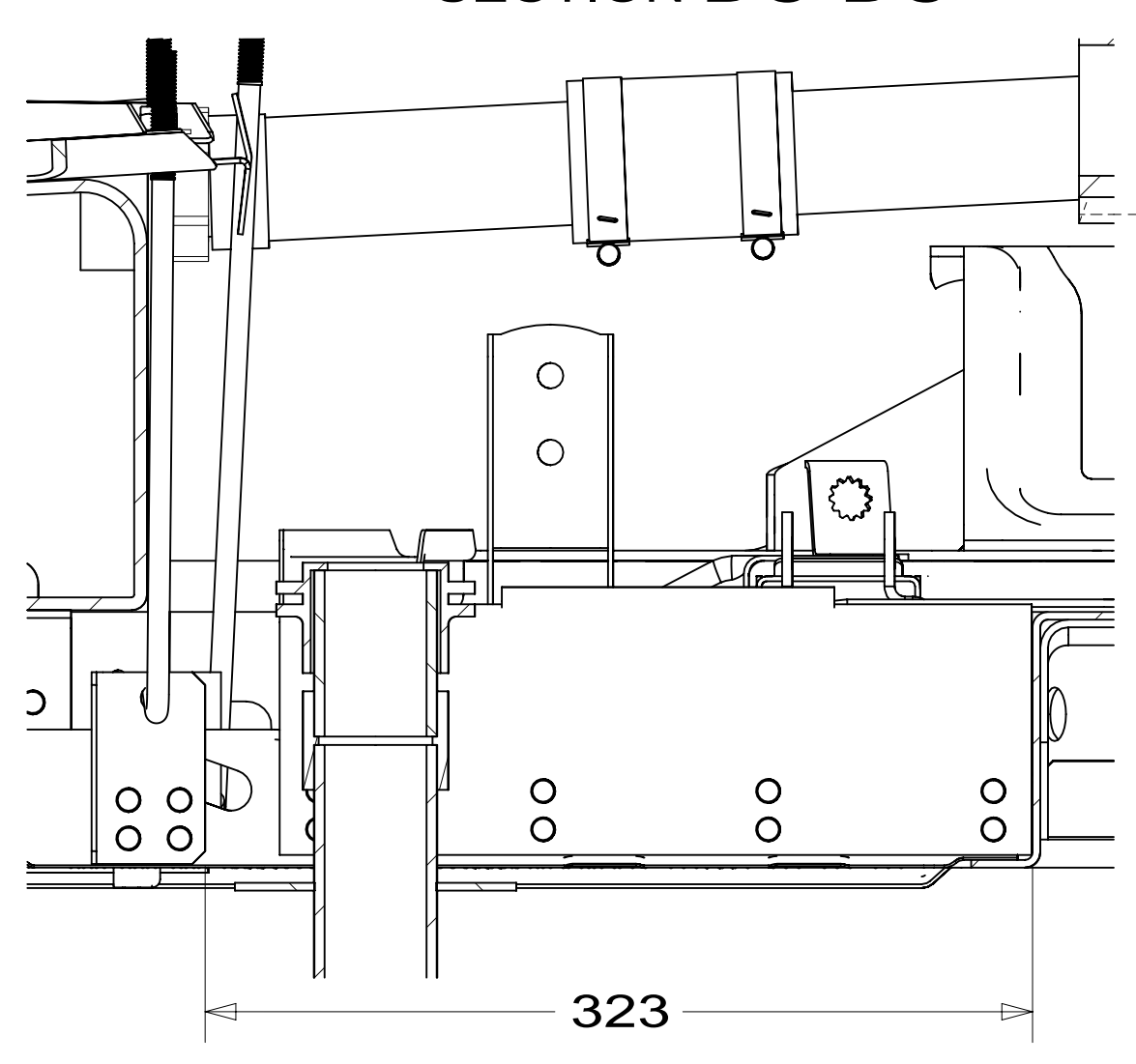
SECTION DF-DF



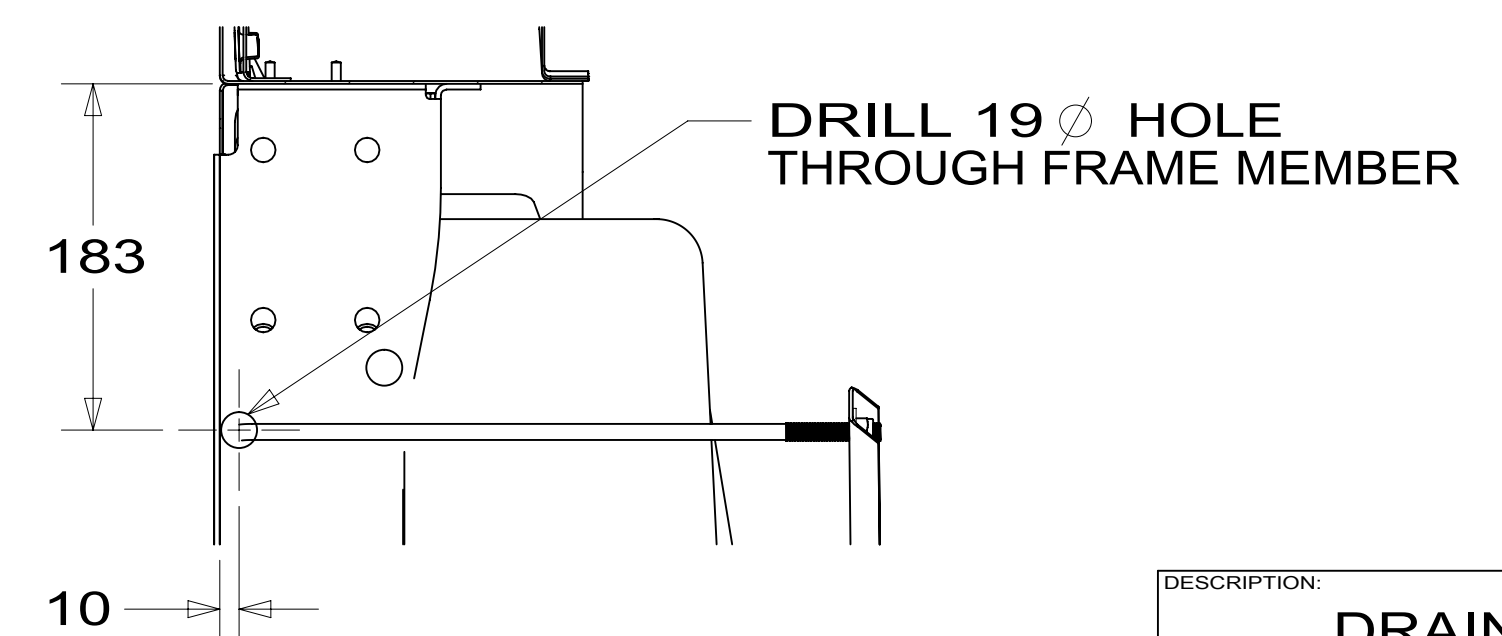
SECTION DG-DG



SECTION DH-DH



SECTION DD-DD



SECTION DJ-DJ

DESCRIPTION:		
DRAINAGE SYSTEM INSTL		
SHEET:	ITEM/PART NO.:	REV
4 OF 4	000179432 / 30023401000	