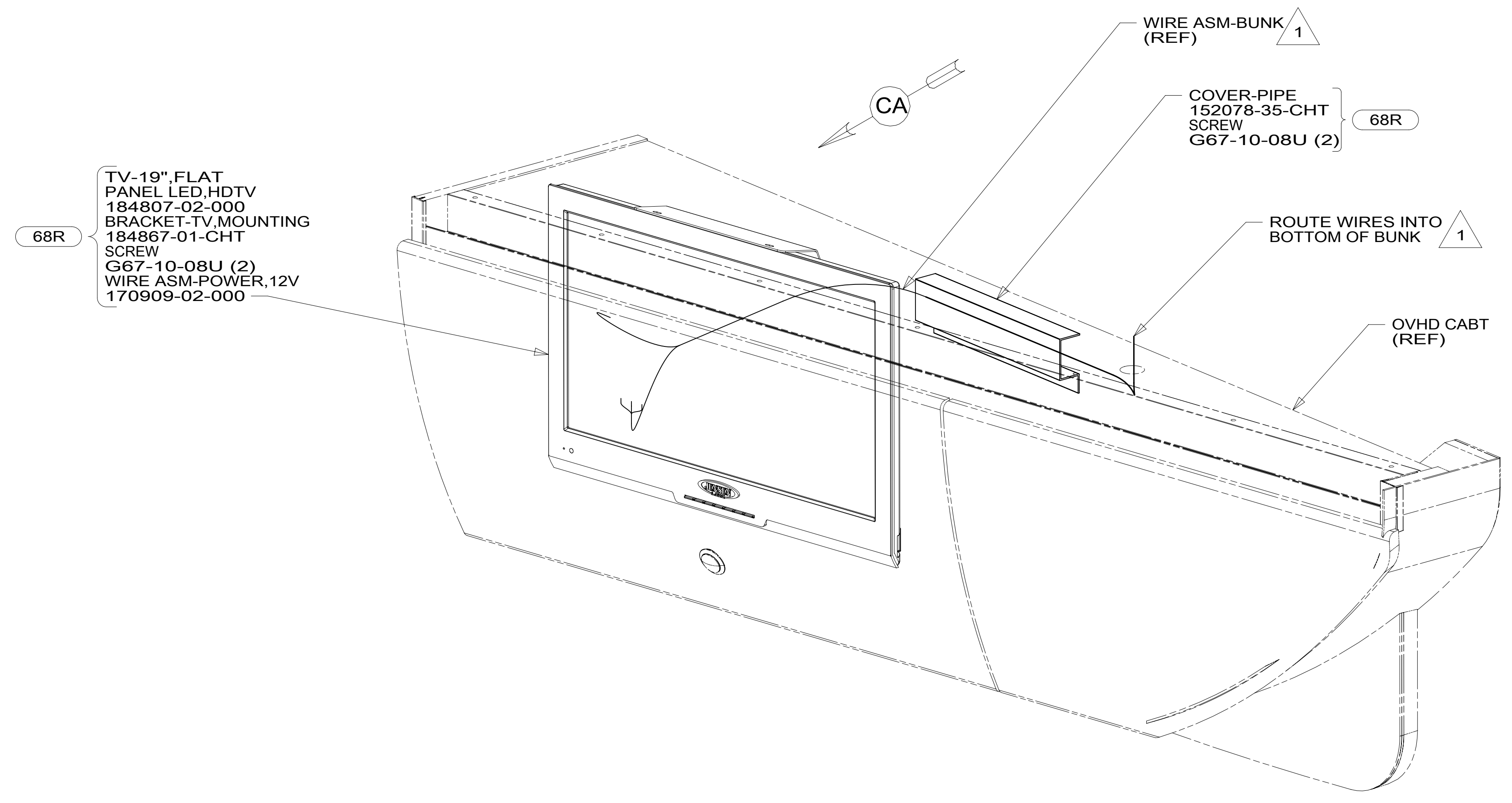


8 7 6 5 4 3 2 1

D
C
B
A



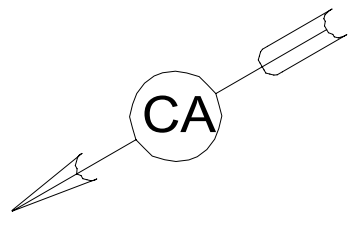
68R
 TV-19", FLAT
 PANEL LED, HDTV
 184807-02-000
 BRACKET-TV, MOUNTING
 184867-01-CHT
 SCREW
 G67-10-08U (2)
 WIRE ASM-POWER, 12V
 170909-02-000

WIRE ASM-BUNK
 (REF) 1

COVER-PIPE
 152078-35-CHT
 SCREW
 G67-10-08U (2) 68R

ROUTE WIRES INTO
 BOTTOM OF BUNK 1

OVHD CABT
 (REF)



- 68R TV - FRONT
- 265 CODES/STANDARDS-CSA/CMVSS
- 1B1 CODES/STANDARDS USA



DSNR:		ALL DIMENSIONS ARE IN MILLIMETERS	
DFFR:		MATERIAL:	
UNSPECIFIED TOLERANCES:			
WHOLE DIM (X)	± 3		
ONE-PLACE (X.X)	± 1.5		
TWO-PLACE (X.XX)	± 0.50		
ANGLE	± 1°		
REFER TO ES0018 FOR FASTENER TIGHTENING GUIDELINES	WEIGHT: (LBS)	FIRST USED:	
			16 623L

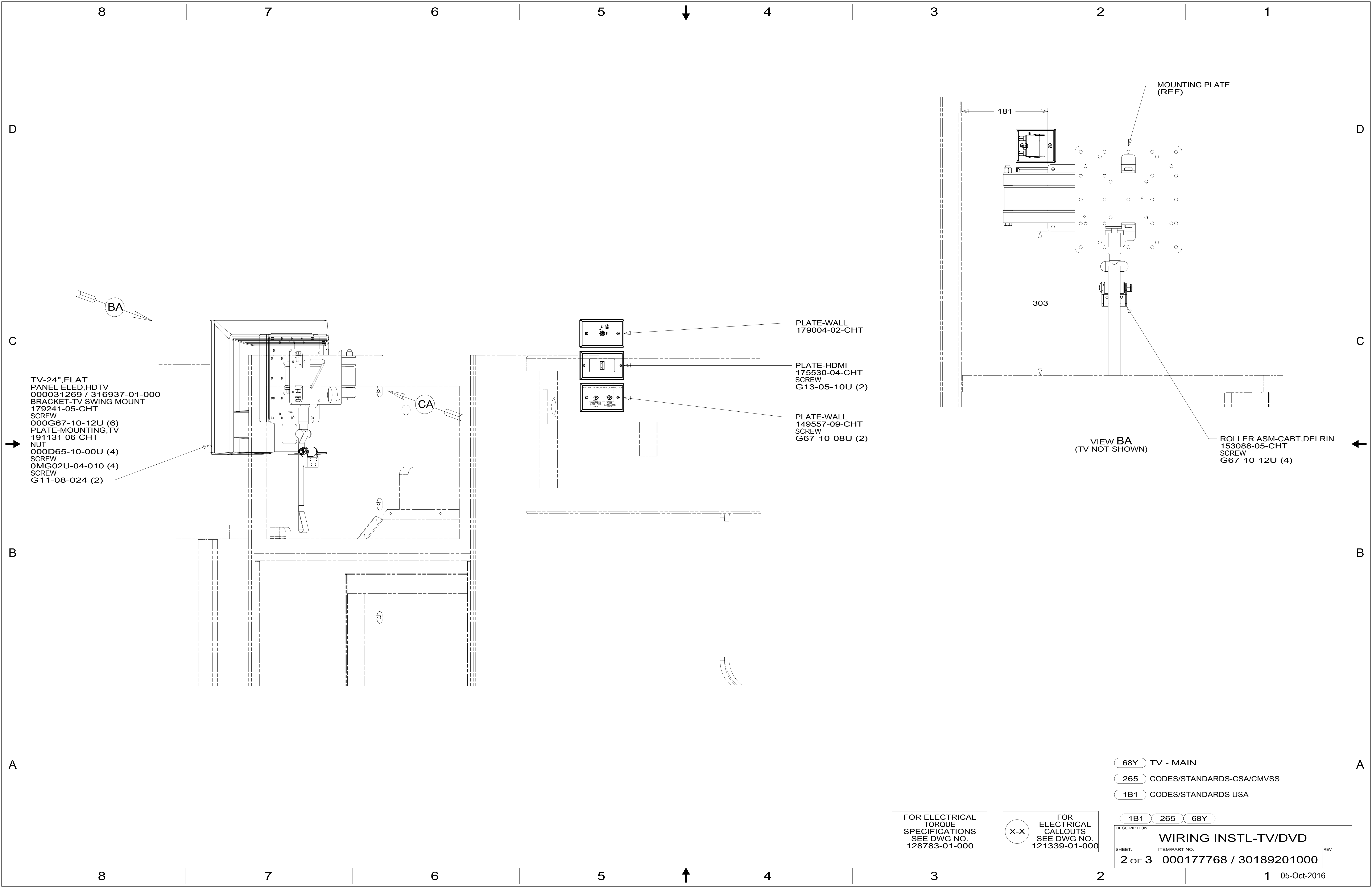
FOR ELECTRICAL TORQUE SPECIFICATIONS SEE DWG NO. 128783-01-000

FOR ELECTRICAL CALLOUTS SEE DWG NO. 121339-01-000

NOTES:
 1 SEE WIRING INSTL-BODY, 12V FOR ADDITIONAL INFORMATION.

DESCRIPTION: WIRING INSTL-TV/DVD		
SHEET: 1 OF 3	ITEM/PART NO: 000177768 / 30189201000	REV:
REF:		1 05-Oct-2016

8 7 6 5 4 3 2 1



TV-24" FLAT
 PANEL ELED,HDTV
 000031269 / 316937-01-000
 BRACKET-TV SWING MOUNT
 179241-05-CHT
 SCREW
 000G67-10-12U (6)
 PLATE-MOUNTING,TV
 191131-06-CHT
 NUT
 000D65-10-00U (4)
 SCREW
 0MG02U-04-010 (4)
 SCREW
 G11-08-024 (2)

PLATE-WALL
 179004-02-CHT

 PLATE-HDMI
 175530-04-CHT
 SCREW
 G13-05-10U (2)

 PLATE-WALL
 149557-09-CHT
 SCREW
 G67-10-08U (2)

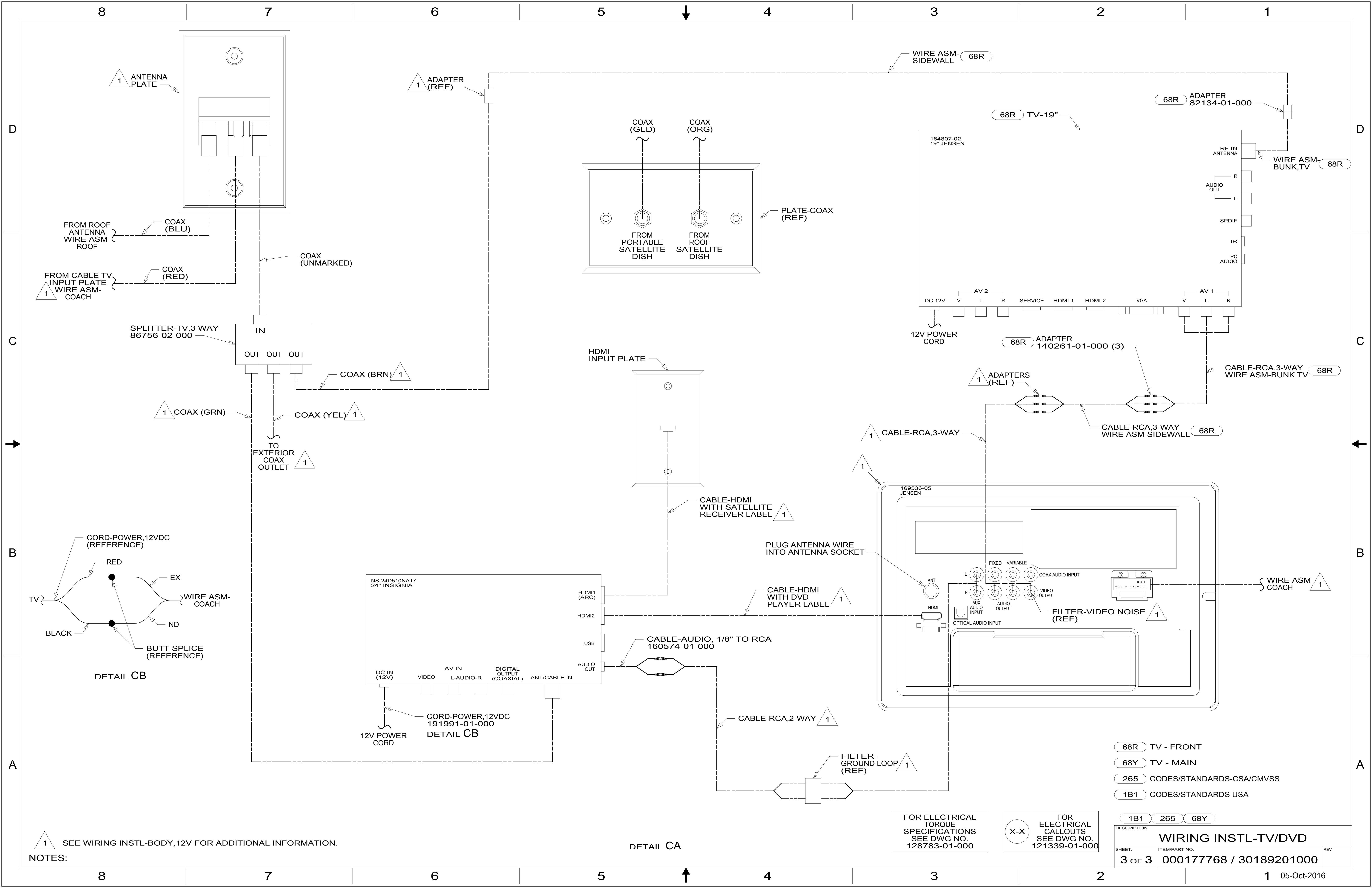
ROLLER ASM-CABT,DELIRIN
 153088-05-CHT
 SCREW
 G67-10-12U (4)

FOR ELECTRICAL
 TORQUE
 SPECIFICATIONS
 SEE DWG NO.
 128783-01-000

FOR
 ELECTRICAL
 CALLOUTS
 SEE DWG NO.
 121339-01-000

- 68Y TV - MAIN
- 265 CODES/STANDARDS-CSA/CMVSS
- 1B1 CODES/STANDARDS USA

DESCRIPTION: WIRING INSTL-TV/DVD		
SHEET: 2 OF 3	ITEM/PART NO: 000177768 / 30189201000	REV
		1 05-Oct-2016



1 SEE WIRING INSTL-BODY, 12V FOR ADDITIONAL INFORMATION.
 NOTES:

FOR ELECTRICAL TORQUE SPECIFICATIONS SEE DWG NO. 128783-01-000

FOR ELECTRICAL CALLOUTS SEE DWG NO. 121339-01-000

- 68R TV - FRONT
- 68Y TV - MAIN
- 265 CODES/STANDARDS-CSA/CMVSS
- 1B1 CODES/STANDARDS USA

DESCRIPTION:	1B1 265 68Y	
WIRING INSTL-TV/DVD		
SHEET:	ITEM/PART NO:	REV
3 OF 3	000177768 / 30189201000	