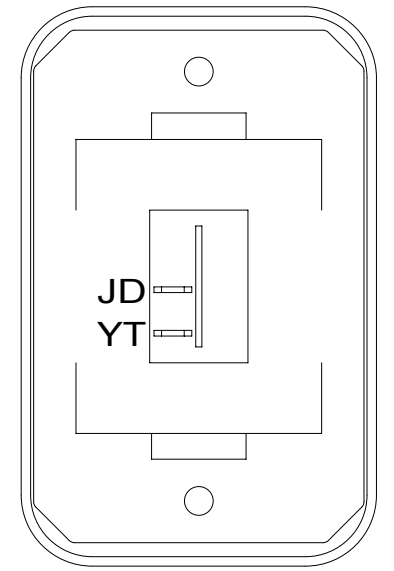
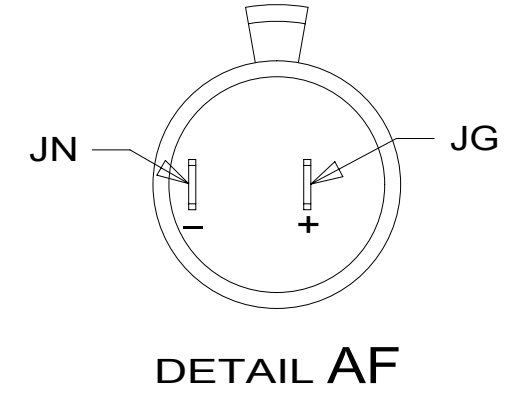


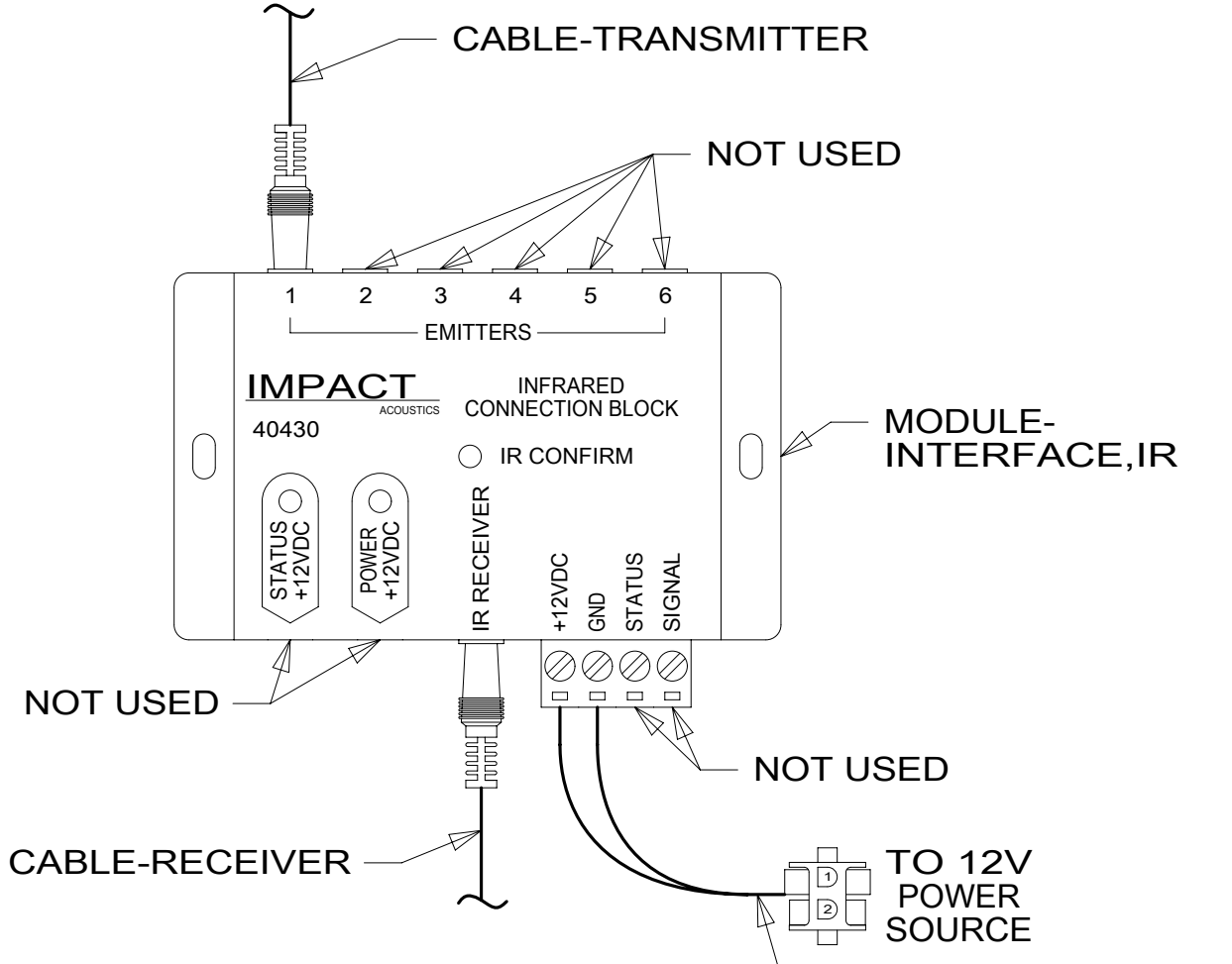
USB-CHARGER
188312-01-000
DETAIL AF

VIEW AB



SWITCH-ROCKER
135740-01-CHT
SWITCH-BASE
135741-01-CHT
SWITCH-BEZEL
135742-01-CHT
SCREW
G11-08-08U (2)

DETAIL AA

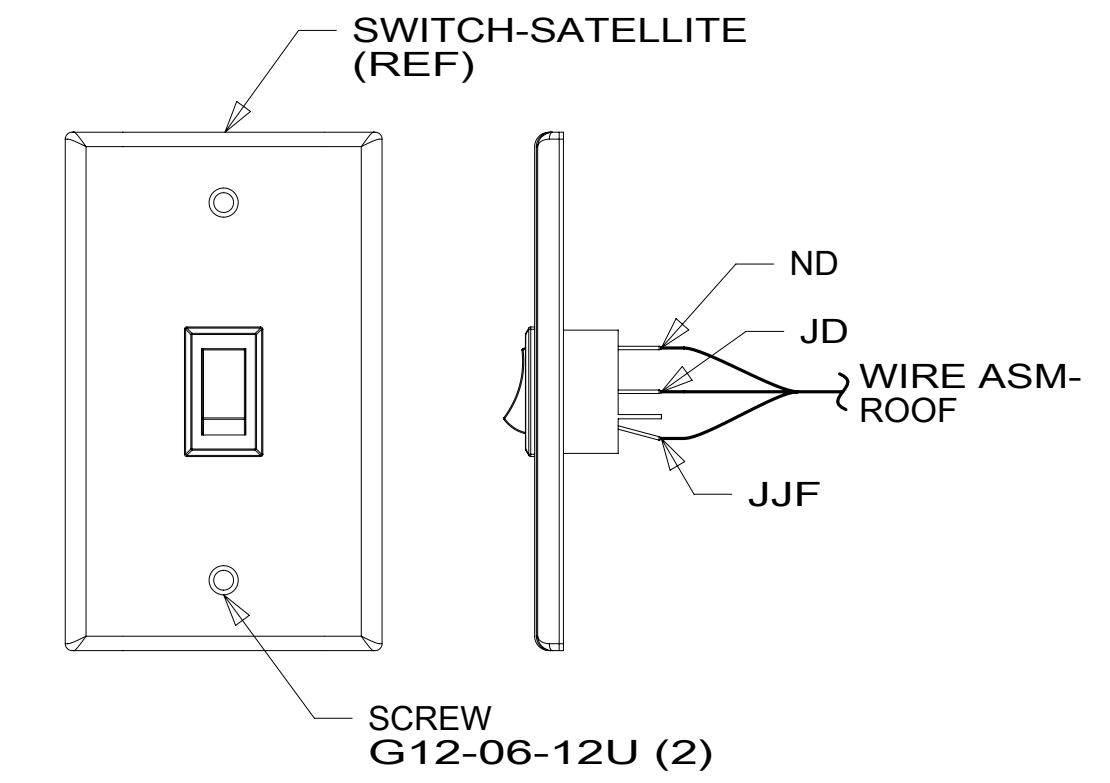
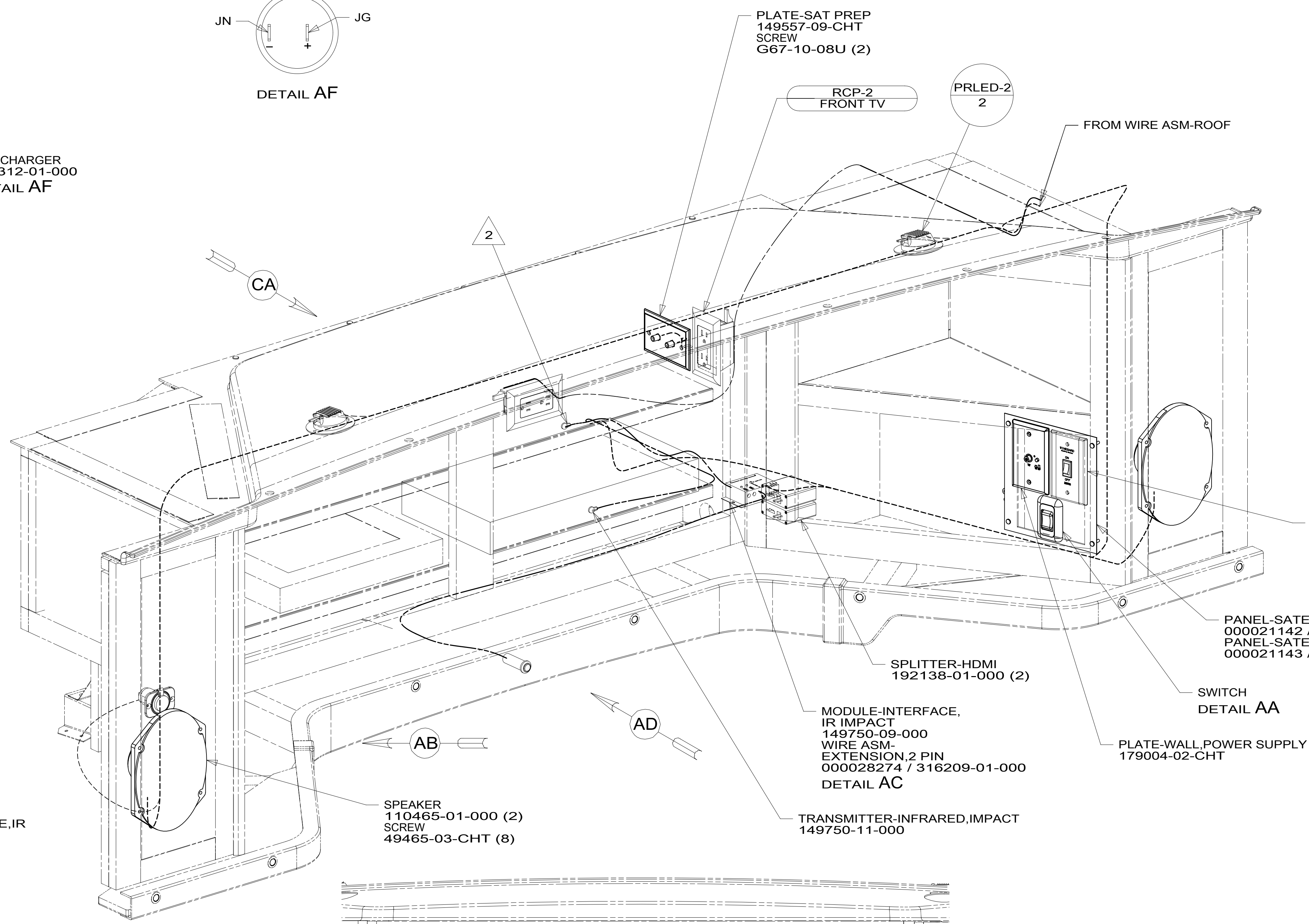


DETAIL AC

2 COIL SATELLITE HDMI CORD AND SECOND TRANSMITTER-INFRARED FOR FUTURE USE.

1. SEE WIRING INSTL-BODY, 12 & 110V FOR ADDITIONAL INFORMATION.

NOTES:



DETAIL AE (78K)

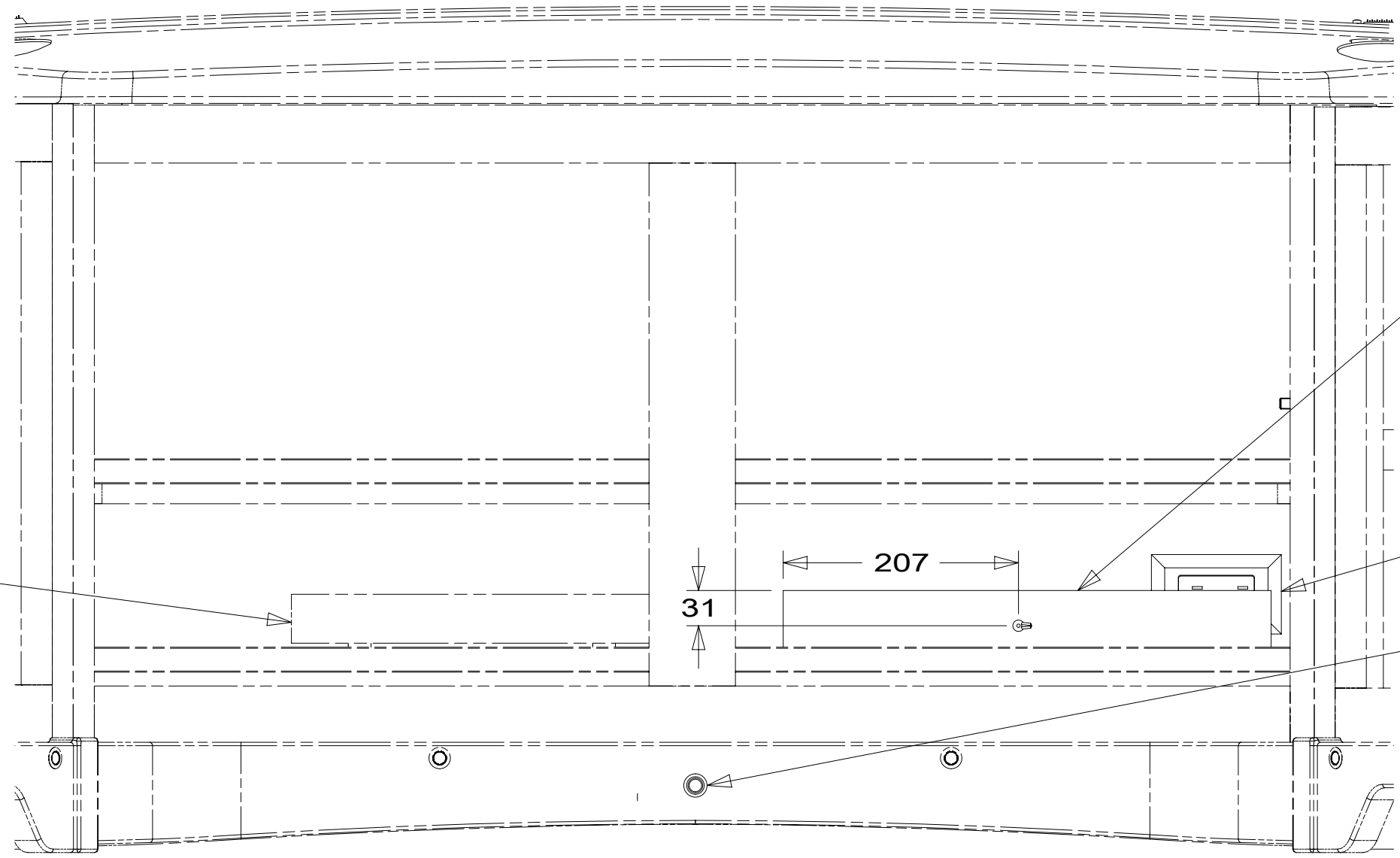
SWITCH-SATELLITE (78K)
186102-04-CHT
DETAIL AE

PANEL-SATELLITE
000021142 / 314247-01-CHT (78C)
PANEL-SATELLITE
000021143 / 314246-01-CHT (48P)

SPEAKER
110465-01-000 (2)
SCREW
49465-03-CHT (8)

MODULE-INTERFACE,
IR IMPACT
149750-09-000
WIRE ASM-
EXTENSION, 2 PIN
000028274 / 316209-01-000
DETAIL AC

PLATE-WALL, POWER SUPPLY
179004-02-CHT



VIEW AD

BLU-RAY HOME THEATER
194689-01-000
FASTENER-DUAL LOCK
85774-01-000
85774-02-000

RCP-2
SAT PREP

RECEIVER-INFRARED, IMPACT
149750-13-000

FOR ELECTRICAL
TORQUE
SPECIFICATIONS
SEE DWG NO.
128783-01-000

FOR ELECTRICAL
CALLOUTS
SEE DWG NO.
121339-01-000

- (78K) SATELLITE TV SYSTEM AUTO
- (78C) SATELLITE SYSTEM READY
- (265) CODES/STANDARDS-CSA/CMVSS
- (1B1) CODES/STANDARDS USA

(1B1) (265)



DSNR:		ALL DIMENSIONS ARE IN MILLIMETERS	
DIFFR:		MATERIAL:	
UNSPECIFIED TOLERANCES:	WHOLE DIM (X) :	3	
	ONE-PLACE (X.X) :	1.5	
	TWO-PLACE (X.XX) :	0.50	
	ANGLE :	1°	
REFER TO ES0018 FOR FASTENER TIGHTENING GUIDELINES		WEIGHT: (LBS)	FIRST USED:
			16 727K
DESCRIPTION: WIRING INSTL-TV/DVD			
SHEET:	ITEM/PART NO.:	REV:	
1 OF 4	000177534 / 30148501000		

8 7 6 5 4 3 2 1

D
C
B
A

D
C
B
A

TV-28" FLAT
PANEL LED,HDTV
195082-01-000
SCREW-VESA MOUNT
OMG02U-06-010 (4)

BB

BRACKET ASM-MOUNT,TV
194944-01-XXX
SCREW
000G39-10-16U (5)

TAPE-FOAM,DBL COATED
76322-21-000 (210 MM) 2

WIRES/CABLES
ROUTED OUT
OF SIDEWALL
IN THIS AREA

VIEW BA
(TV NOT SHOWN)

BRACKET-MOUNTING,TV
175053-12-CHT

TIE-WIRE
8343-02-000 1

SLEEVE-BRAIDING
139049-01-000 3

MOUNT TV BRACKET SO
THAT SLOT IN BRACKET
LINES UP WITH SLOT
IN SIDEWALL

TIE-WIRE
8343-02-000 1

VIEW BB

- NOTES:
- 3 COVER WIRES, COAX, AND RCA-CABLES THAT ARE ROUTED TO THE TV WITH BRAIDED SLEEVING AND SECURE TO TV BRACKET WITH TIE-WIRE.
 - 2 CLEAN AND APPLY ADHESIVE PROMOTOR 87211-01-000 TO BOTH SURFACES AND BOND WHERE BRACKET CONTACTS PLASTIC TV CASE.
 - 1 USE HOLES ON PLATE-MOUNTING,TV TO ATTACH WIRE ASM TO PLATE-MOUNTING,TV WITH WIRE TIES.

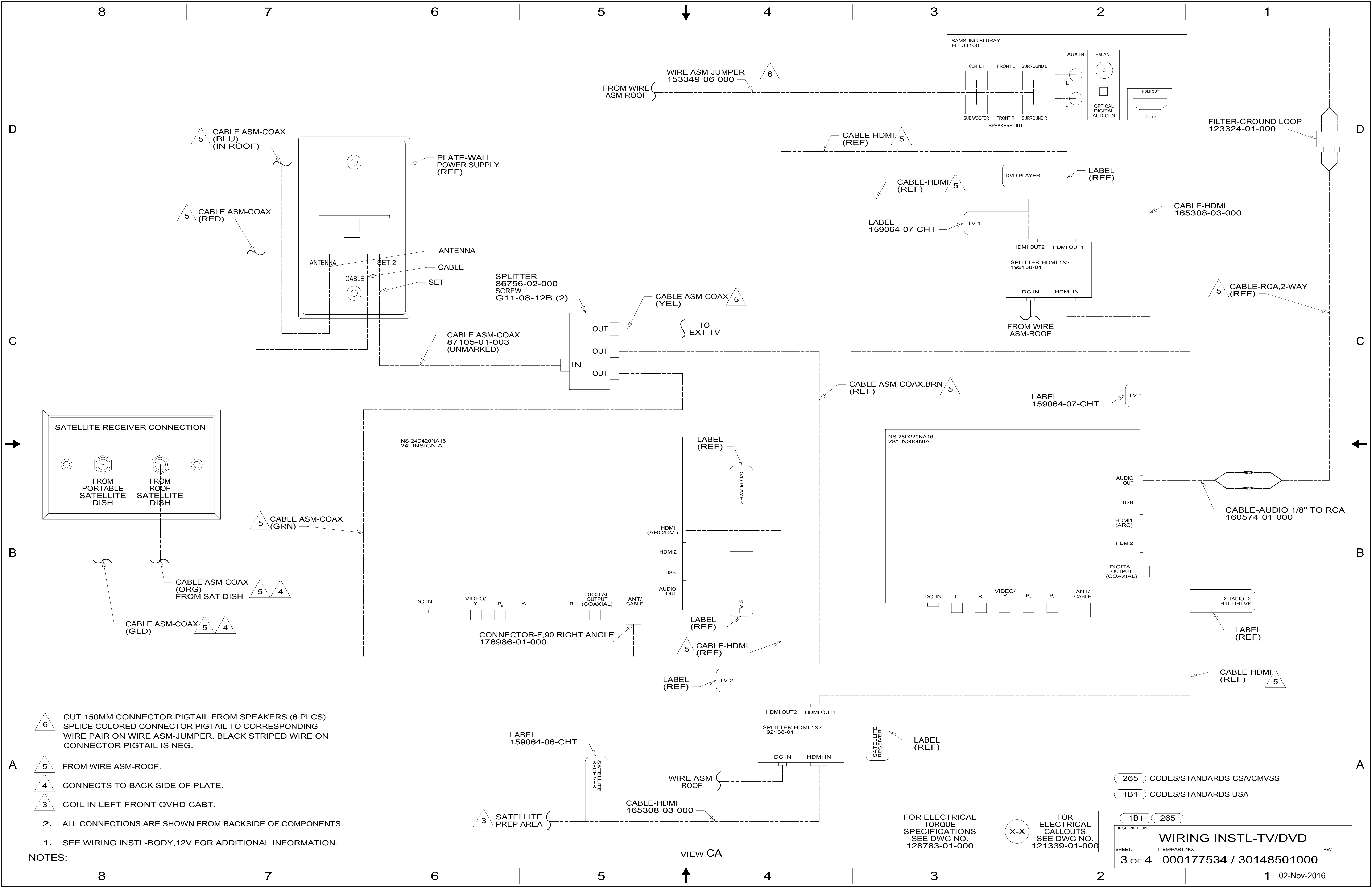
- 68Y TV - MAIN
- 265 CODES/STANDARDS-CSA/CMVSS
- 1B1 CODES/STANDARDS USA

FOR ELECTRICAL
TORQUE
SPECIFICATIONS
SEE DWG NO.
128783-01-000

FOR ELECTRICAL
CALLOUTS
SEE DWG NO.
121339-01-000

DESCRIPTION:	1B1 265 68Y	
WIRING INSTL-TV/DVD		
SHEET:	ITEM/PART NO:	REV
2 OF 4	000177534 / 30148501000	

8 7 6 5 4 3 2 1 02-Nov-2016



- 6 CUT 150MM CONNECTOR PIGTAIL FROM SPEAKERS (6 PLCS). SPLICE COLORED CONNECTOR PIGTAIL TO CORRESPONDING WIRE PAIR ON WIRE ASM-JUMPER. BLACK STRIPED WIRE ON CONNECTOR PIGTAIL IS NEG.
 5 FROM WIRE ASM-ROOF.
 4 CONNECTS TO BACK SIDE OF PLATE.
 3 COIL IN LEFT FRONT OVHD CABT.
 2. ALL CONNECTIONS ARE SHOWN FROM BACKSIDE OF COMPONENTS.
 1. SEE WIRING INSTL-BODY, 12V FOR ADDITIONAL INFORMATION.

NOTES:

FOR ELECTRICAL TORQUE SPECIFICATIONS SEE DWG NO. 128783-01-000

FOR ELECTRICAL CALLOUTS SEE DWG NO. 121339-01-000

265 CODES/STANDARDS-CSA/CMVSS
 1B1 CODES/STANDARDS USA

DESCRIPTION:		1B1 265	
WIRING INSTL-TV/DVD			
SHEET:	ITEM/PART NO.:	REV	
3 OF 4	000177534 / 30148501000		

VIEW CA

8 7 6 5 4 3 2 1

D
C
B
A

D
C
B
A

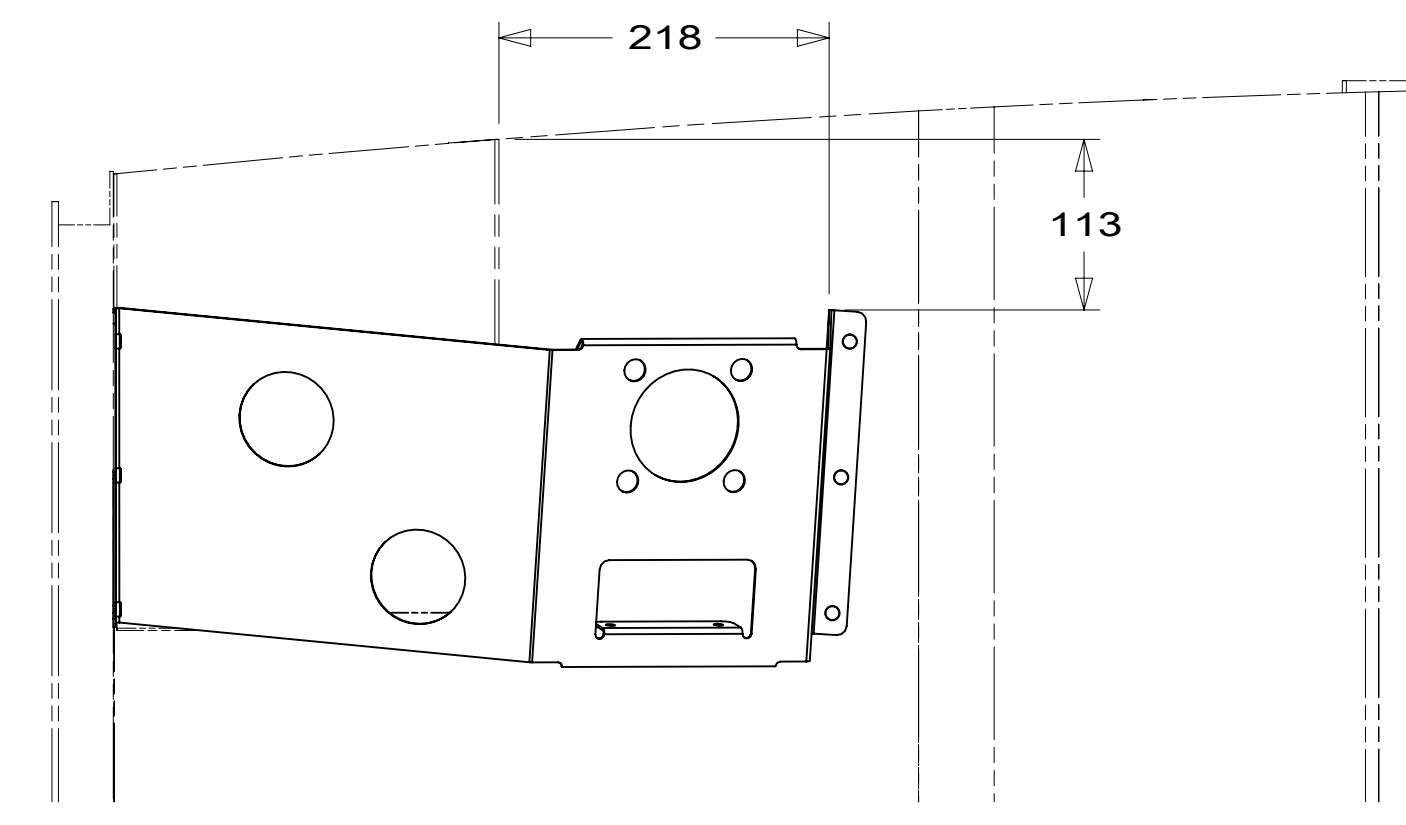
TV-24" FLAT
PANEL DLED, HDTV
194363-01-000
DETAIL CB

BRACKET-TV
158394-24-CHT
SCREW
000G67-10-12U (3)
000G39-10-12U (3)

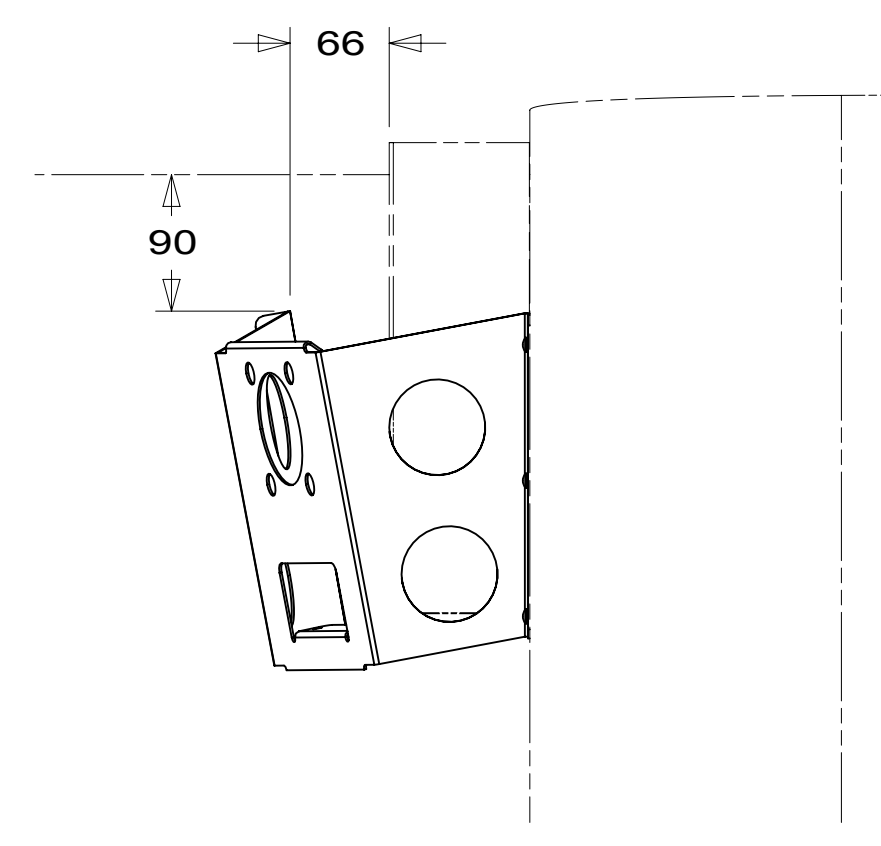
PLATE-MOUNTING
163321-10-CHT
SCREW
0MG02U-06-016 (4)
000G39-10-12U (2)
000G11-08-20U (2)

DB

DA



VIEW DB
(TV NOT SHOWN)



VIEW DA
(TV NOT SHOWN)

- 68X TV - BEDROOM
- 265 CODES/STANDARDS-CSA/CMVSS
- 1B1 CODES/STANDARDS USA

FOR ELECTRICAL
TORQUE
SPECIFICATIONS
SEE DWG NO.
128783-01-000

FOR
ELECTRICAL
CALLOUTS
SEE DWG NO.
121339-01-000

DESCRIPTION: WIRING INSTL-TV/DVD		
SHEET: 4 OF 4	ITEM/PART NO.: 000177534 / 30148501000	REV

8 7 6 5 4 3 2 1 02-Nov-2016