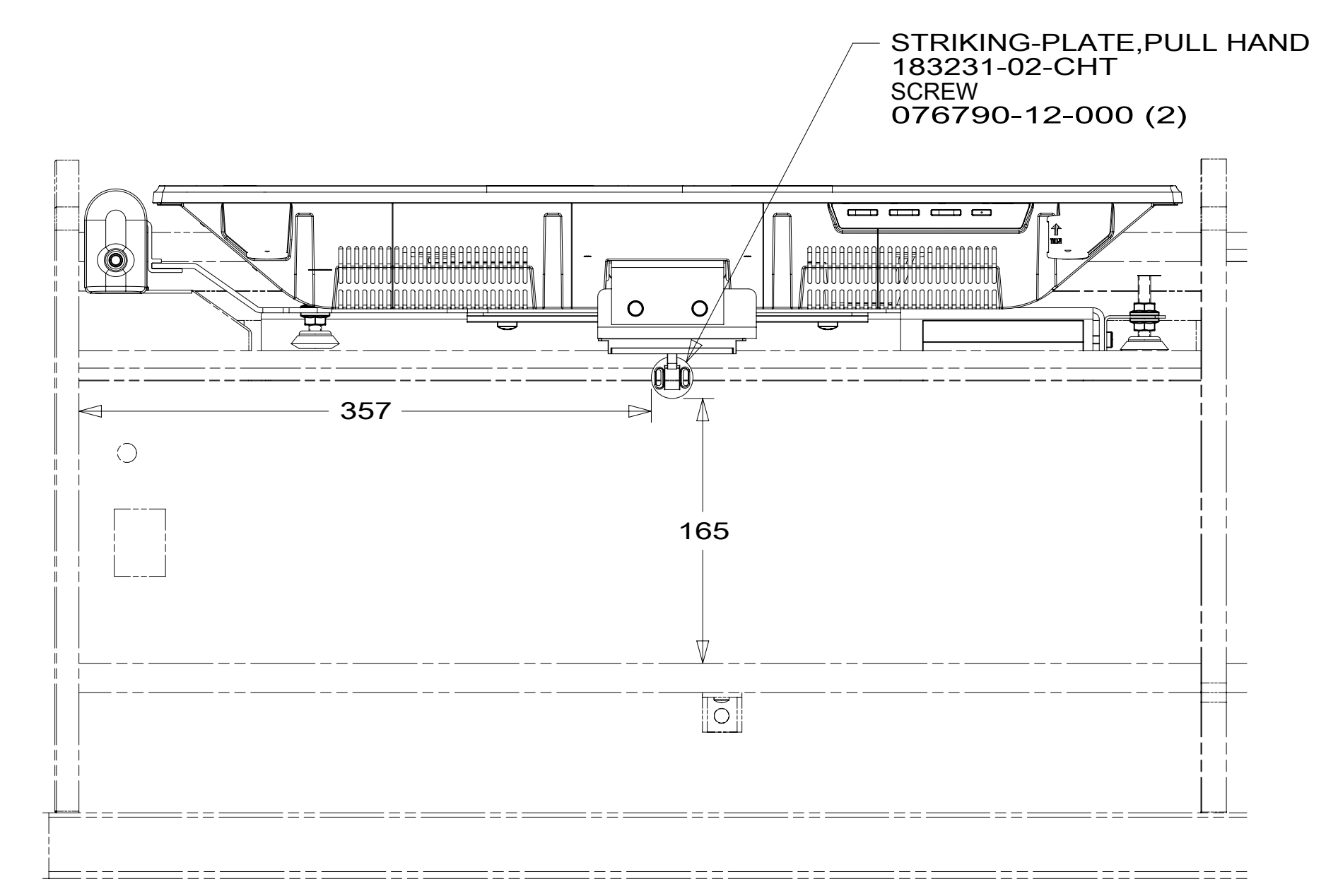
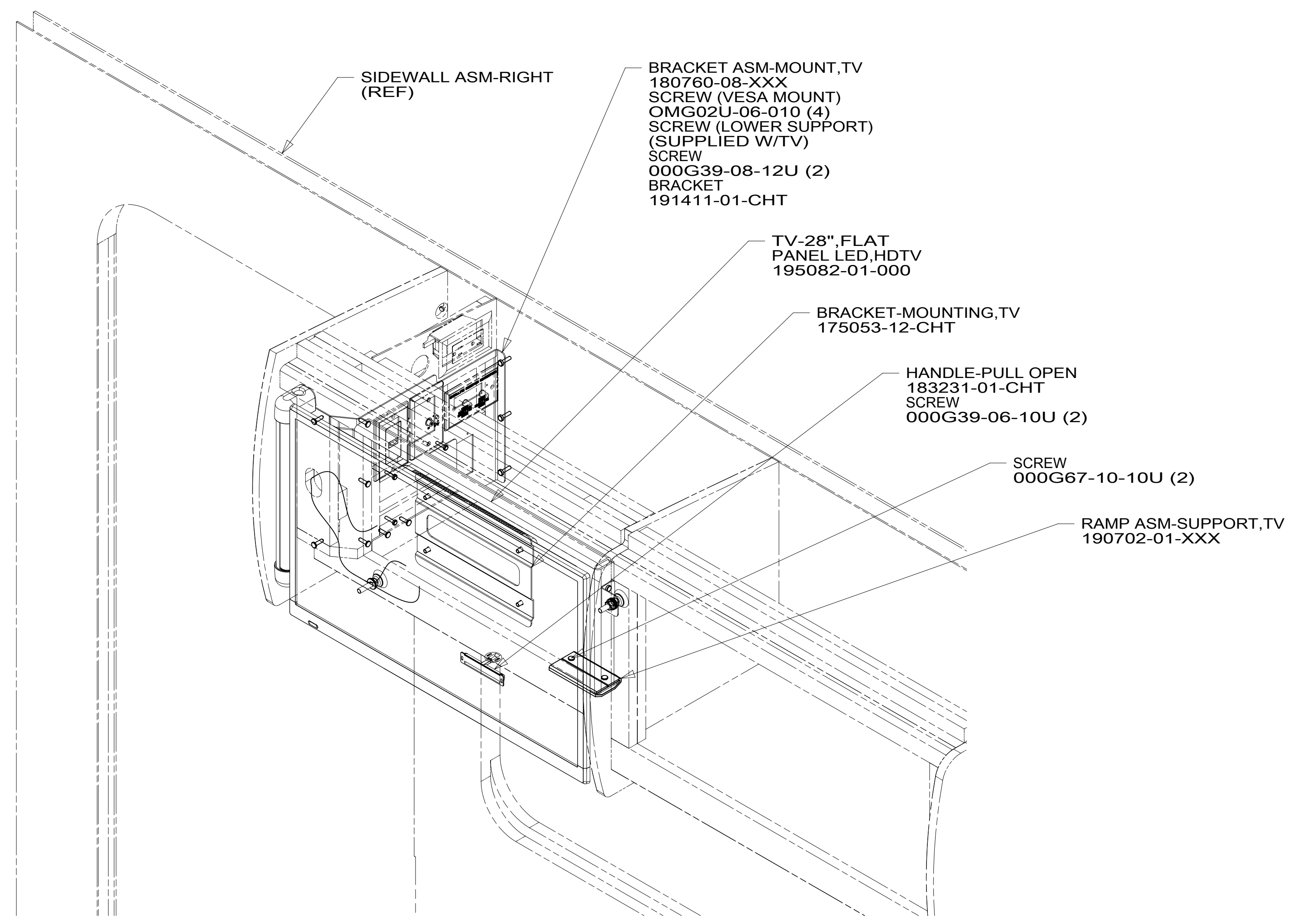
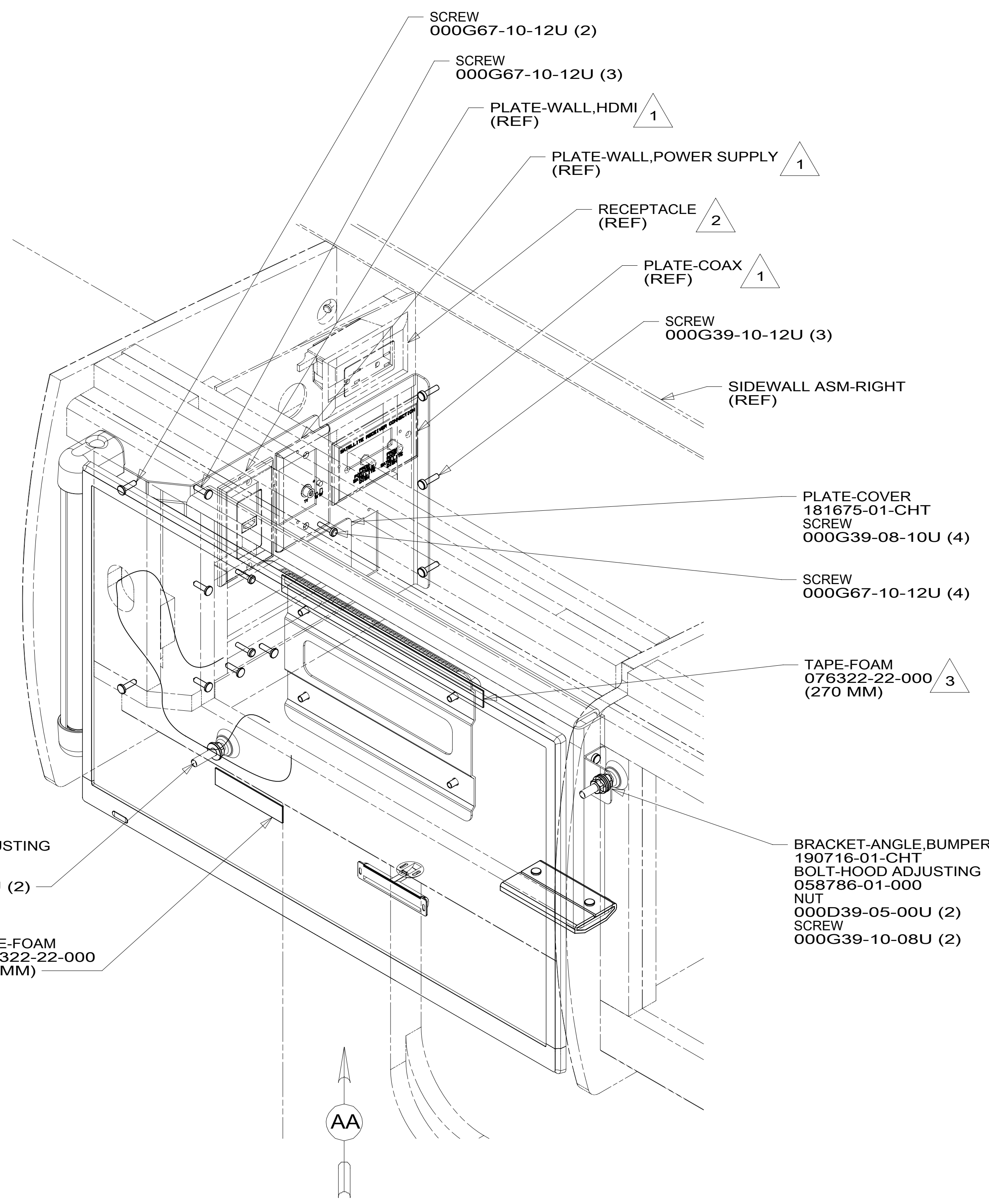


8 7 6 5 4 3 2 1

D  
C  
B  
A



- NOTES:
- 3 PREP SURFACE WITH 087211-01-000.
  - 2 SEE WIRING INSTL-BODY,110V FOR ADDITIONAL INFORMATION.
  - 1 SEE WIRING INSTL-BODY,12V FOR ADDITIONAL INFORMATION.

VIEW AA

FOR ELECTRICAL TORQUE SPECIFICATIONS SEE DWG NO. 128783-01-000

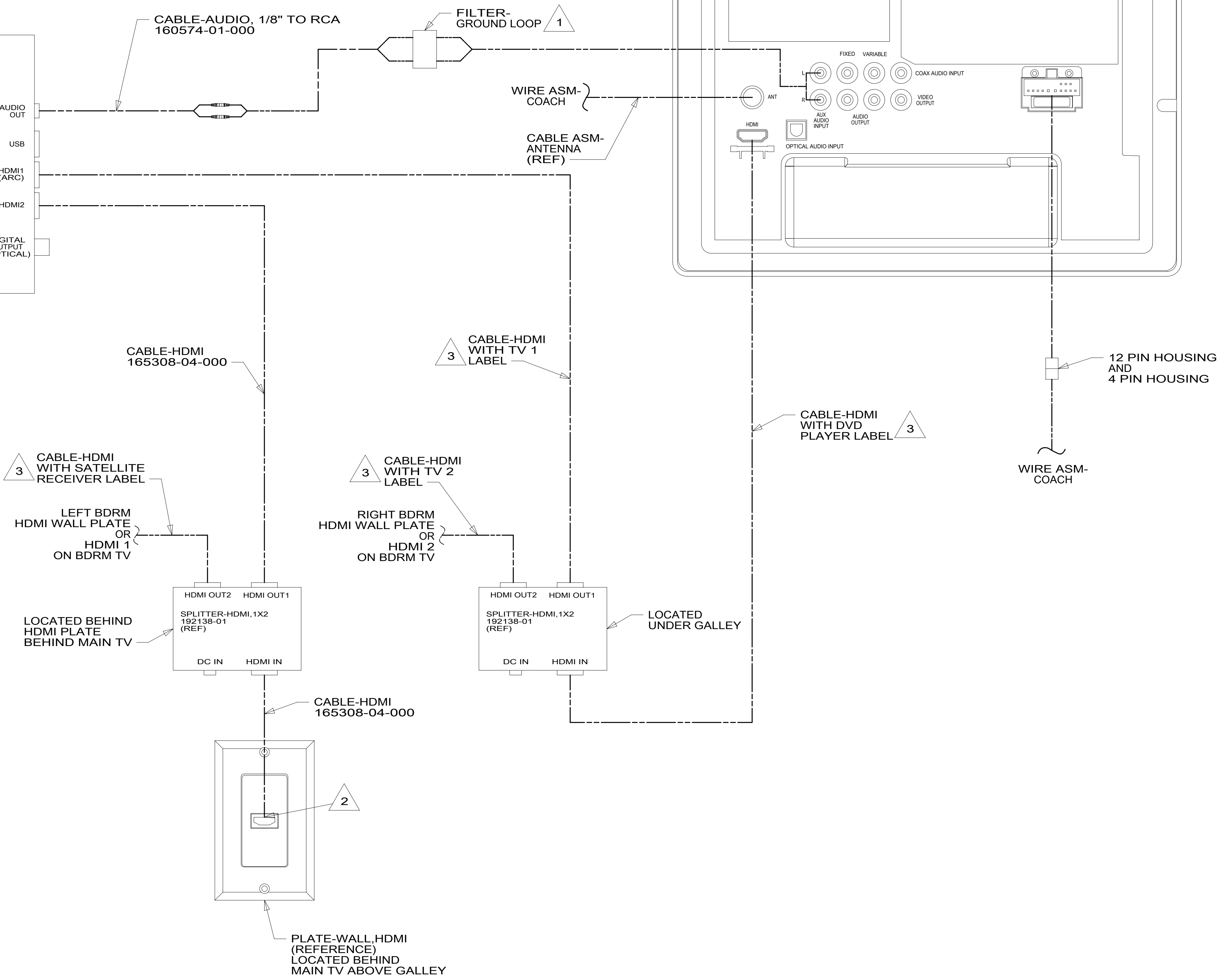
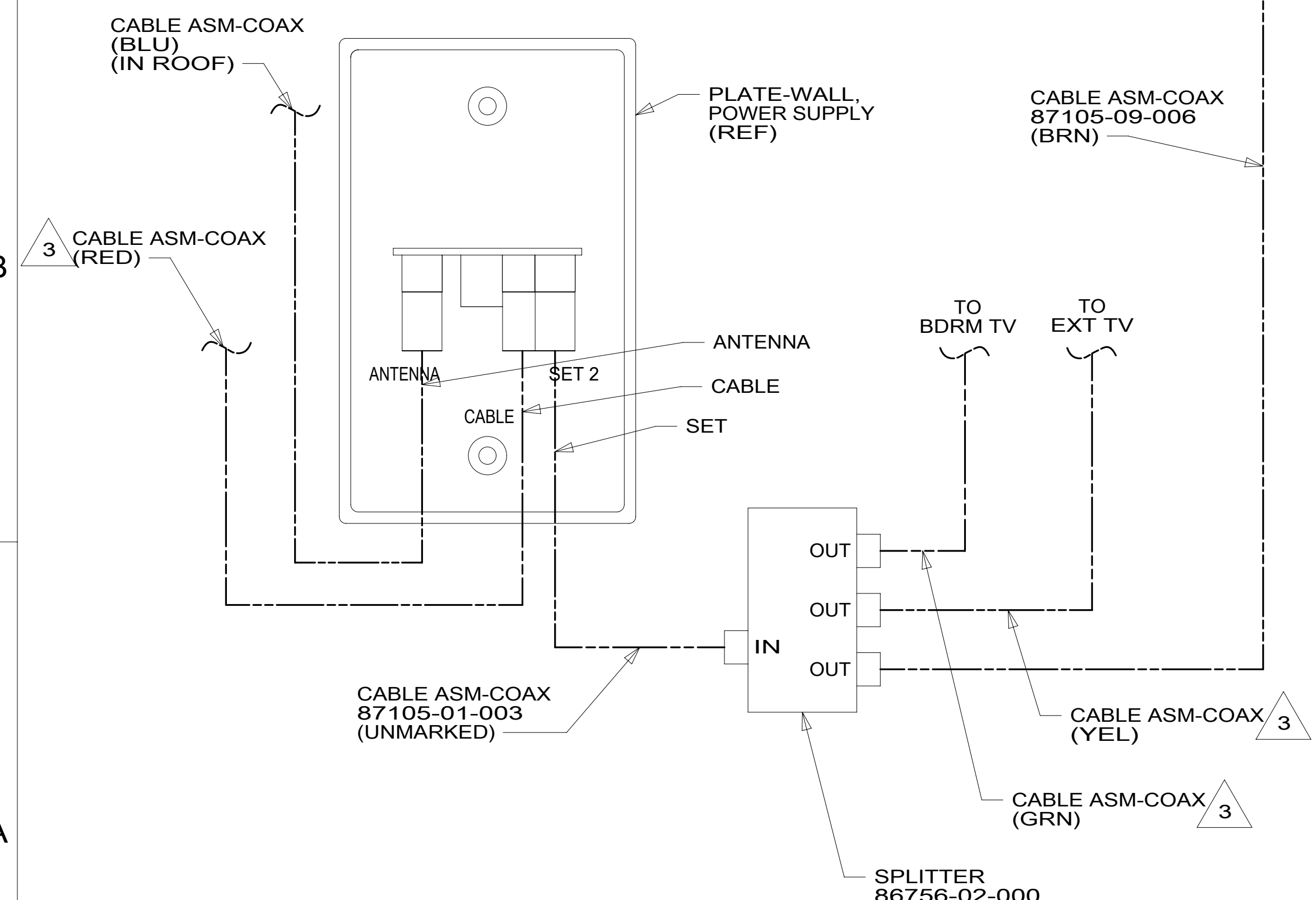
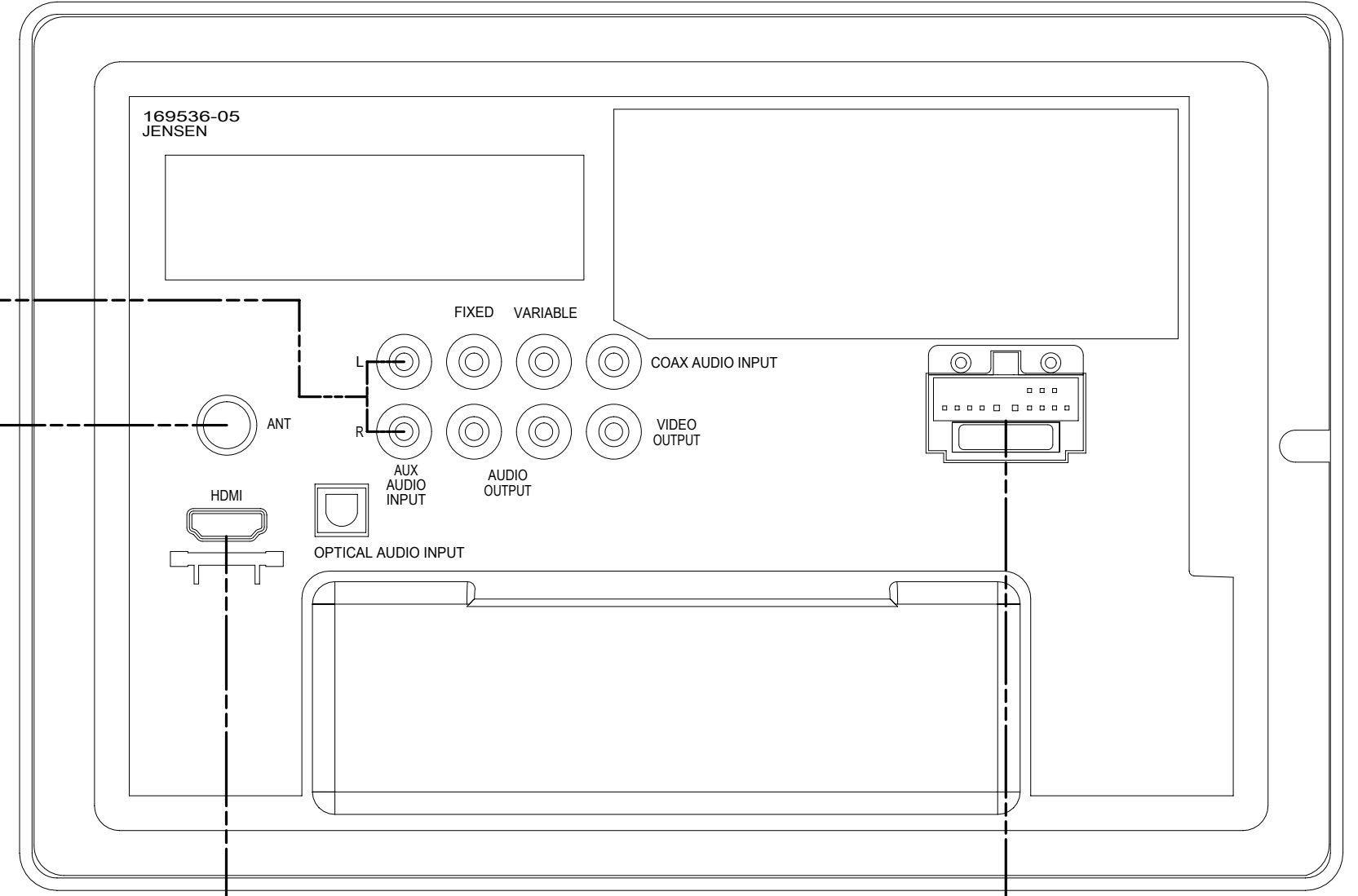
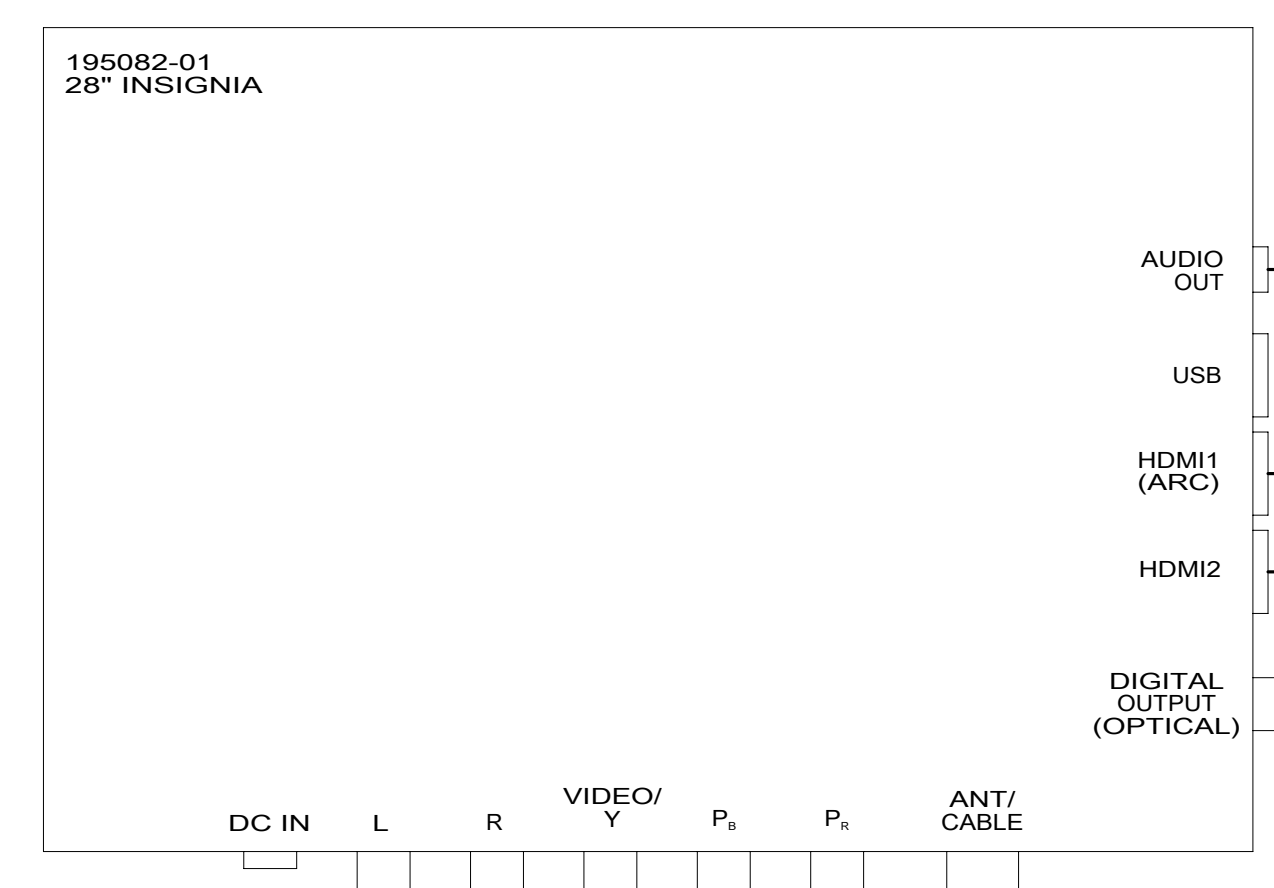
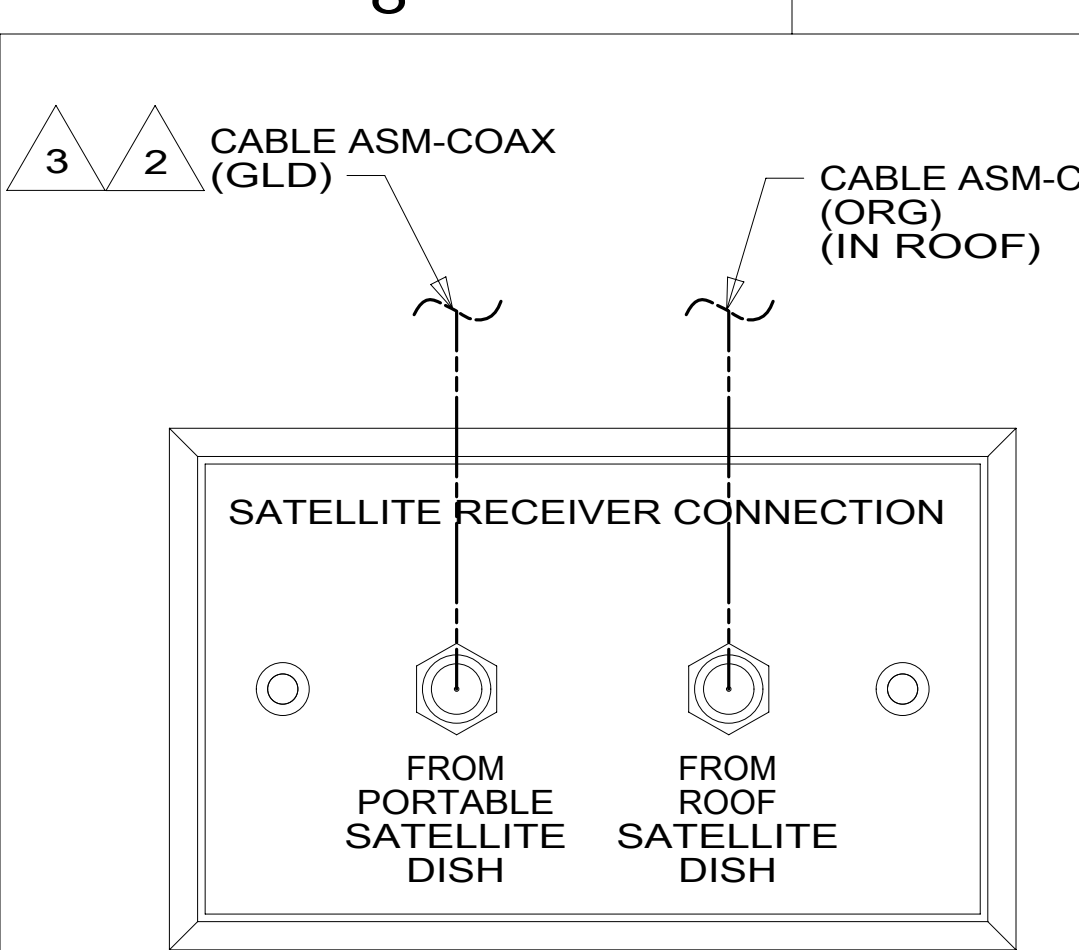
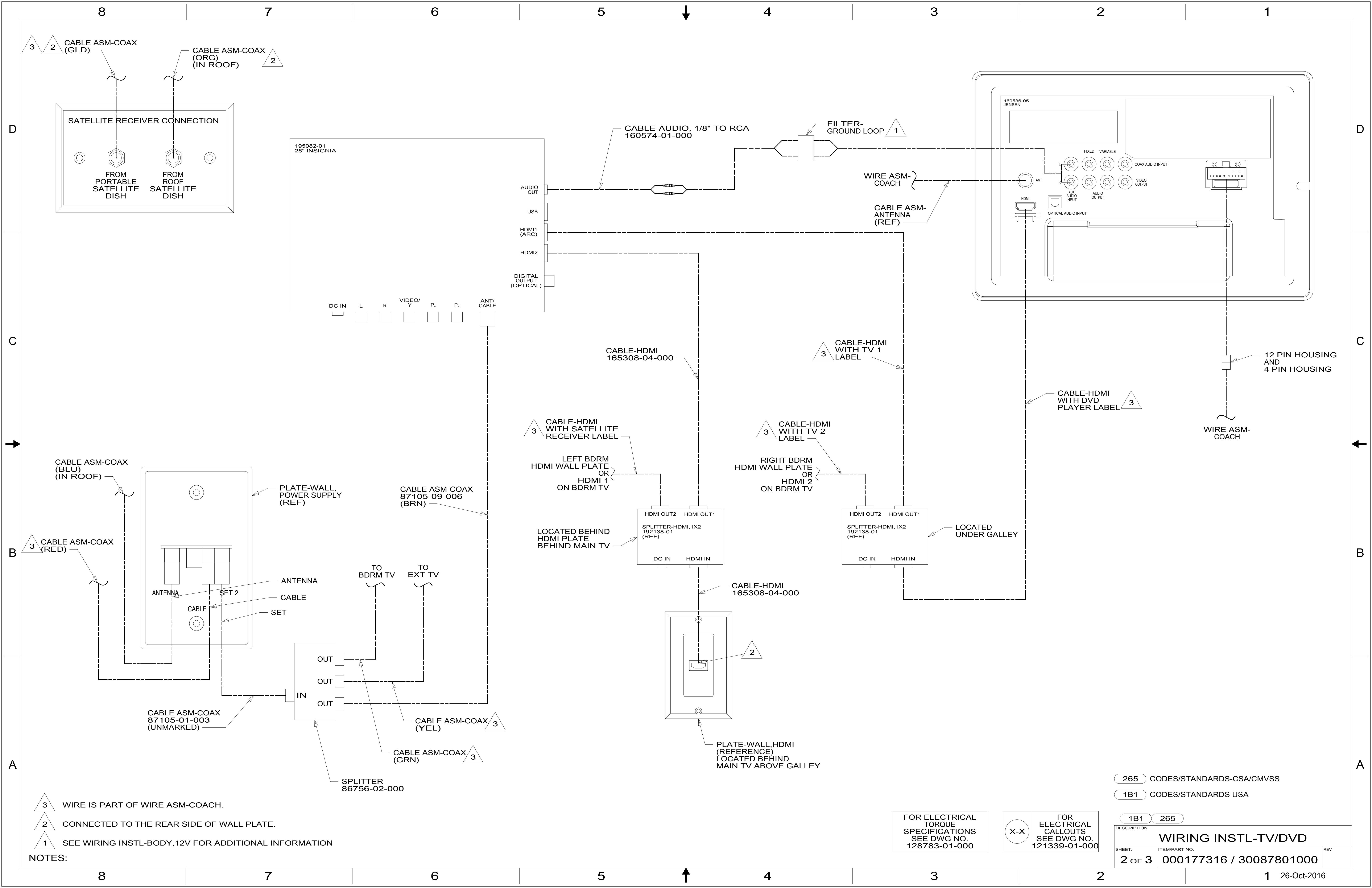
FOR ELECTRICAL CALLOUTS SEE DWG NO. 121339-01-000

- 265 CODES/STANDARDS-CSA/CMVSS
- 1B1 CODES/STANDARDS USA
- 1B1 265



DSNR:		ALL DIMENSIONS ARE IN MILLIMETERS	
DFFR:		MATERIAL:	
UNSPECIFIED TOLERANCES:			
WHOLE DIM (X)	: 3		
ONE-PLACE (X.X)	: 1.5		
TWO-PLACE (X.XX)	: 0.50		
ANGLE	: 1°		
REFER TO ES0018 FOR FASTENER TIGHTENING GUIDELINES		WEIGHT: (LBS)	FIRST USED:
			16 524J
DESCRIPTION: WIRING INSTL-TV/DVD			
SHEET: 1 OF 3	ITEM/PART NO: 000177316 / 30087801000	REV:	
REF: 1		26-Oct-2016	

8 7 6 5 4 3 2 1



NOTES:

3 WIRE IS PART OF WIRE ASM-COACH.

2 CONNECTED TO THE REAR SIDE OF WALL PLATE.

1 SEE WIRING INSTL-BODY, 12V FOR ADDITIONAL INFORMATION

FOR ELECTRICAL TORQUE SPECIFICATIONS SEE DWG NO. 128783-01-000

FOR ELECTRICAL CALLOUTS SEE DWG NO. 121339-01-000

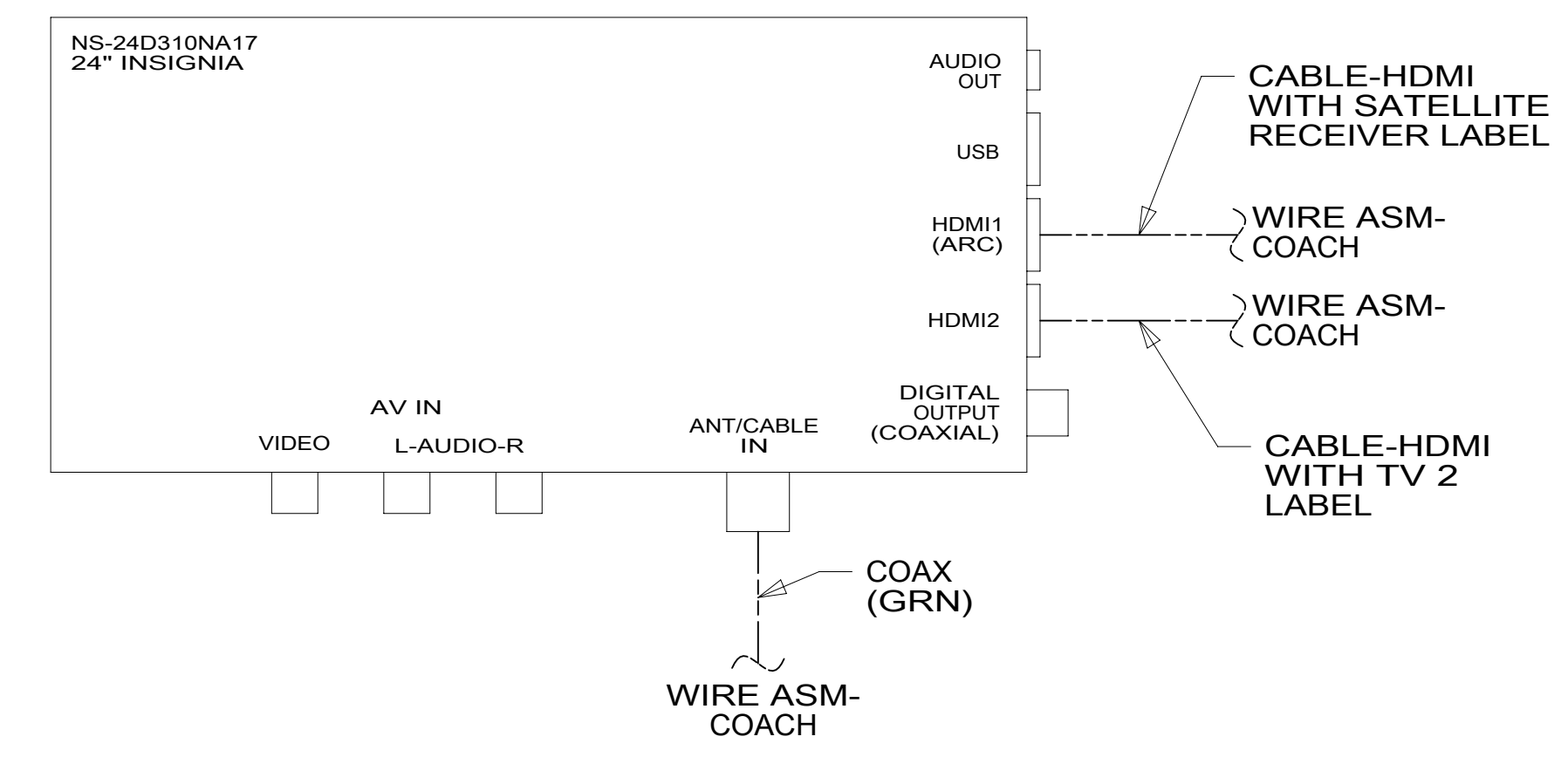
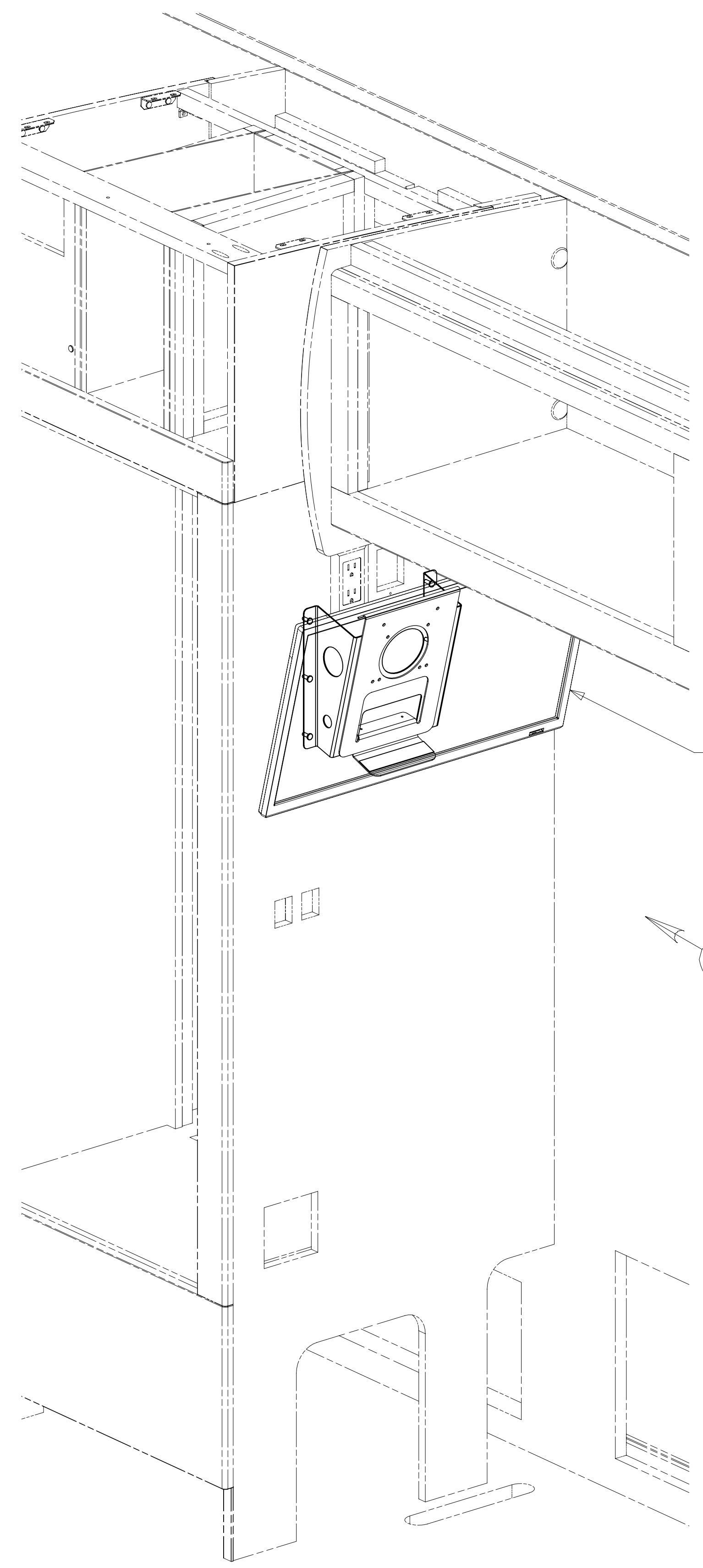
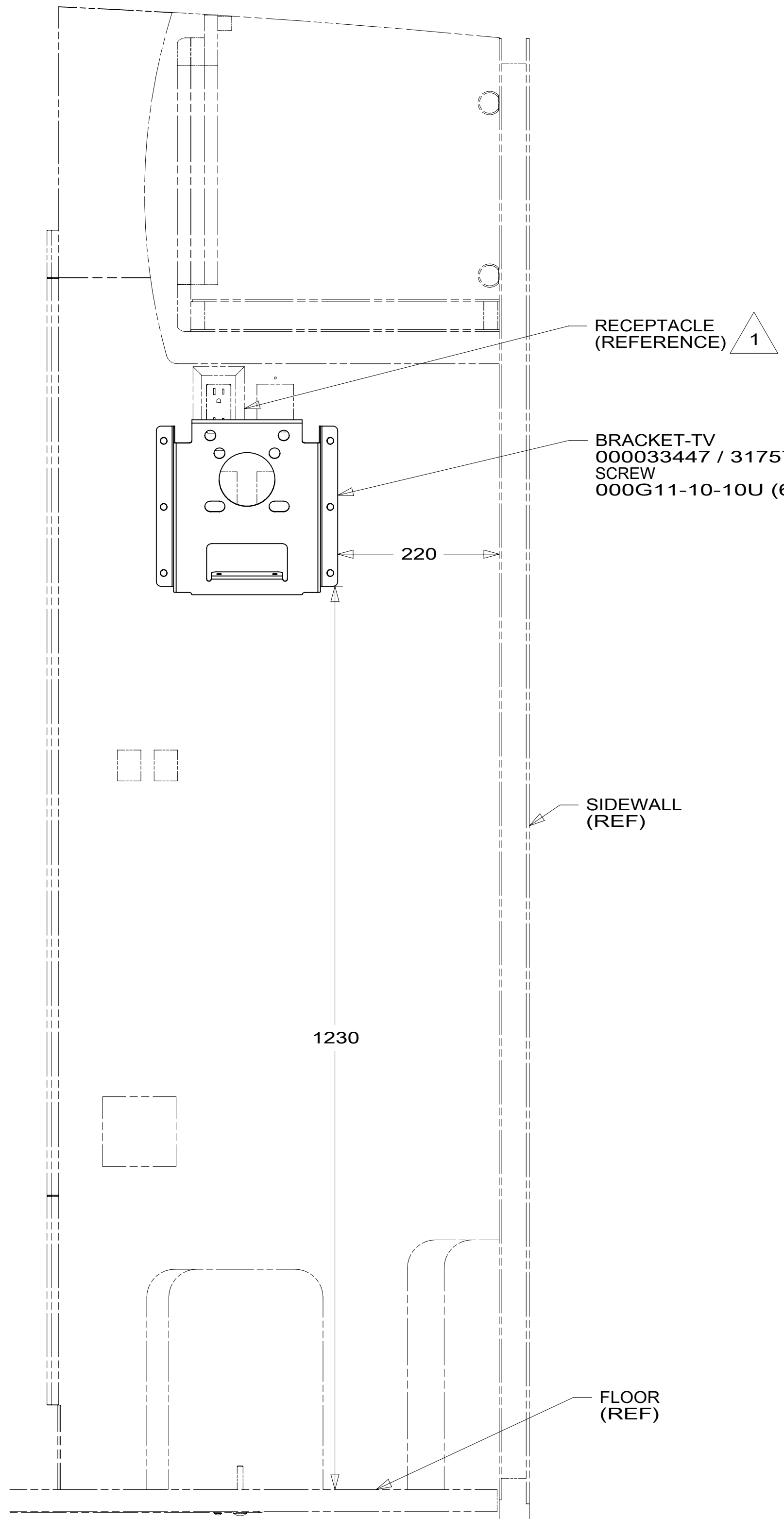
265 CODES/STANDARDS-CSA/CMVSS

1B1 CODES/STANDARDS USA

DESCRIPTION:		1B1 265	
<b>WIRING INSTL-TV/DVD</b>			
SHEET:	ITEM/PART NO.:	REV	
2 OF 3	000177316 / 30087801000		

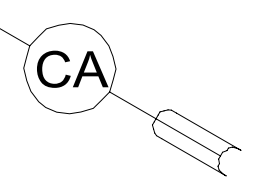
8 7 6 5 4 3 2 1

D  
C  
B  
A



VIEW CB

TV-24" HDTV, 110 VAC  
 000032947 / 317377-01-000  
 PLATE-MOUNTING  
 000032972 / 317364-01-CHT  
 TAPE-FOAM  
 076322-23-000 (120 MM)  
 DETAIL CB



1 SEE WIRING INSTL-BODY, 110V FOR ADDITIONAL INFORMATION.  
 NOTES:

FOR ELECTRICAL TORQUE SPECIFICATIONS SEE DWG NO. 128783-01-000

FOR ELECTRICAL CALLOUTS SEE DWG NO. 121339-01-000

- 68X TV - BEDROOM
- 265 CODES/STANDARDS-CSA/CMVSS
- 1B1 CODES/STANDARDS USA

DESCRIPTION: <b>WIRING INSTL-TV/DVD</b>		
SHEET: 3 OF 3	ITEM/PART NO: 000177316 / 30087801000	REV

8 7 6 5 4 3 2 1 26-Oct-2016