

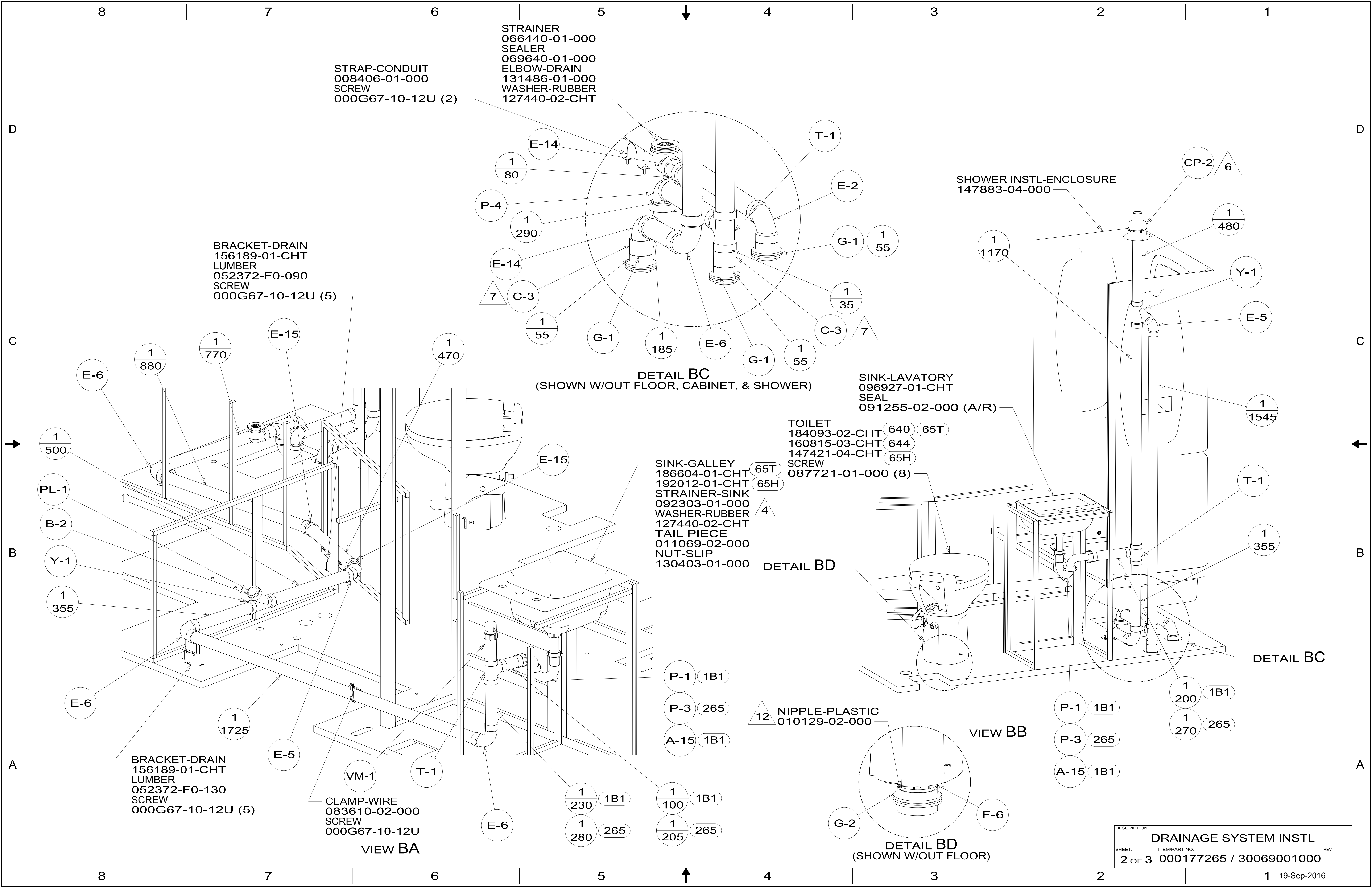
- NOTES:
1. SLOPE OF HORIZONTAL PIPING TO BE MINIMUM OF 3 PER 305 mm.
  2. SLOPE OF TRAP ARM MUST BE 6 PER 305 mm.
  3. ALL PIPE AND FITTINGS TO BE ASSEMBLED WITH SOLVENT 004020-01-000 (USA), 004020-02-000 (CAN)
  4. USE SMOOTH PLUMBERS PUTTY 167459-01-000 TO SEAL STRAINER (0.2 PER STRAINER).
  5. SEAL AROUND SHOWER WITH SILICONE.
  6. VENT PIPE MUST PROJECT 51 MIN AND 64 MAX ABOVE ROOF FOR PROPER FIT AND FUNCTION. ADD S-1 (116666-01-CHT SEAL-VENT PIPE) AROUND PIPE ON ROOF BEFORE VENT CAP IS INSTALLED.
  7. SECURE VENT PIPE TO FLOOR WITH CLAMP 062401-02-000 (2), SCREW 000G67-10-12U (2), BRACKET 136878-01-CHT (2).
  8. SECURE DRAINAGE PIPES TO CABINET USING WIRE TIE 108046-02-000, AND SCREW 000G67-10-12U AT INTERVALS OF NOT MORE THAN 4 FEET APART.
  9. SEE DRAWING 061607 FOR INSTALLATION OF GROMMETS.
  10. SEE WIRING INSTL-BODY FOR ELECTRICAL CONNECTION.
  11. PREP THE SURFACE PER MANUFACTURERS INSTRUCTIONS BEFORE APPLYING THE HEATING PAD.
  12. CUT PART TO 90MM.

- 65T RENTAL-BEST TIME RV-WITH-OUT
- 65H RENTAL-BEST TIME RV
- 38E CONVENIENCE PACKAGE
- 640 RENTAL - GAH WITHOUT
- 644 GREAT ALASKAN RENTAL PACKAGE
- 265 CODES/STANDARDS-CSA/CMVSS
- 23T DRAINAGE SYSTEM-HEATED
- 1B1 CODES/STANDARDS USA

X-X  
FOR  
DRAINAGE  
CALLOUTS  
SEE DWG NO.  
000211962 /  
303370-01-000

**WINNEBAGO**<sup>®</sup>  
COPYRIGHT 2016 WINNEBAGO INDUSTRIES, INC.

DSNR:		ALL DIMENSIONS ARE IN MILLIMETERS	
DIFFR:			
UNSPECIFIED TOLERANCES:		MATERIAL:	
WHOLE DIM (X)	3		
ONE-PLACE (X.X)	1.5		
TWO-PLACE (X.XX)	0.50		
ANGLE	1°	WEIGHT: (LBS)	FIRST USED: (REF)
REFER TO ES0018 FOR FASTENER TIGHTENING GUIDELINES			
<b>DESCRIPTION:</b>			
<b>DRAINAGE SYSTEM INSTL</b>			
SHEET:	ITEM/PART NO.:	REV:	
1 OF 3	000177265 / 30069001000		
REF: 1 19-Sep-2016			



STRAP-CONDUIT  
008406-01-000  
SCREW  
000G67-10-12U (2)

STRAINER  
066440-01-000  
SEALER  
069640-01-000  
ELBOW-DRAIN  
131486-01-000  
WASHER-RUBBER  
127440-02-CHT

BRACKET-DRAIN  
156189-01-CHT  
LUMBER  
052372-F0-090  
SCREW  
000G67-10-12U (5)

SHOWER INSTL-ENCLOSURE  
147883-04-000

SINK-LAVATORY  
096927-01-CHT  
SEAL  
091255-02-000 (A/R)

TOILET  
184093-02-CHT 640 65T  
160815-03-CHT 644  
147421-04-CHT 65H  
SCREW  
087721-01-000 (8)

SINK-GALLEY  
186604-01-CHT 65T  
192012-01-CHT 65H  
STRAINER-SINK  
092303-01-000  
WASHER-RUBBER  
127440-02-CHT  
TAIL PIECE  
011069-02-000  
NUT-SLIP  
130403-01-000

BRACKET-DRAIN  
156189-01-CHT  
LUMBER  
052372-F0-130  
SCREW  
000G67-10-12U (5)

CLAMP-WIRE  
083610-02-000  
SCREW  
000G67-10-12U

DESCRIPTION: <b>DRAINAGE SYSTEM INSTL</b>		
SHEET: 2 OF 3	ITEM/PART NO: 000177265 / 30069001000	REV

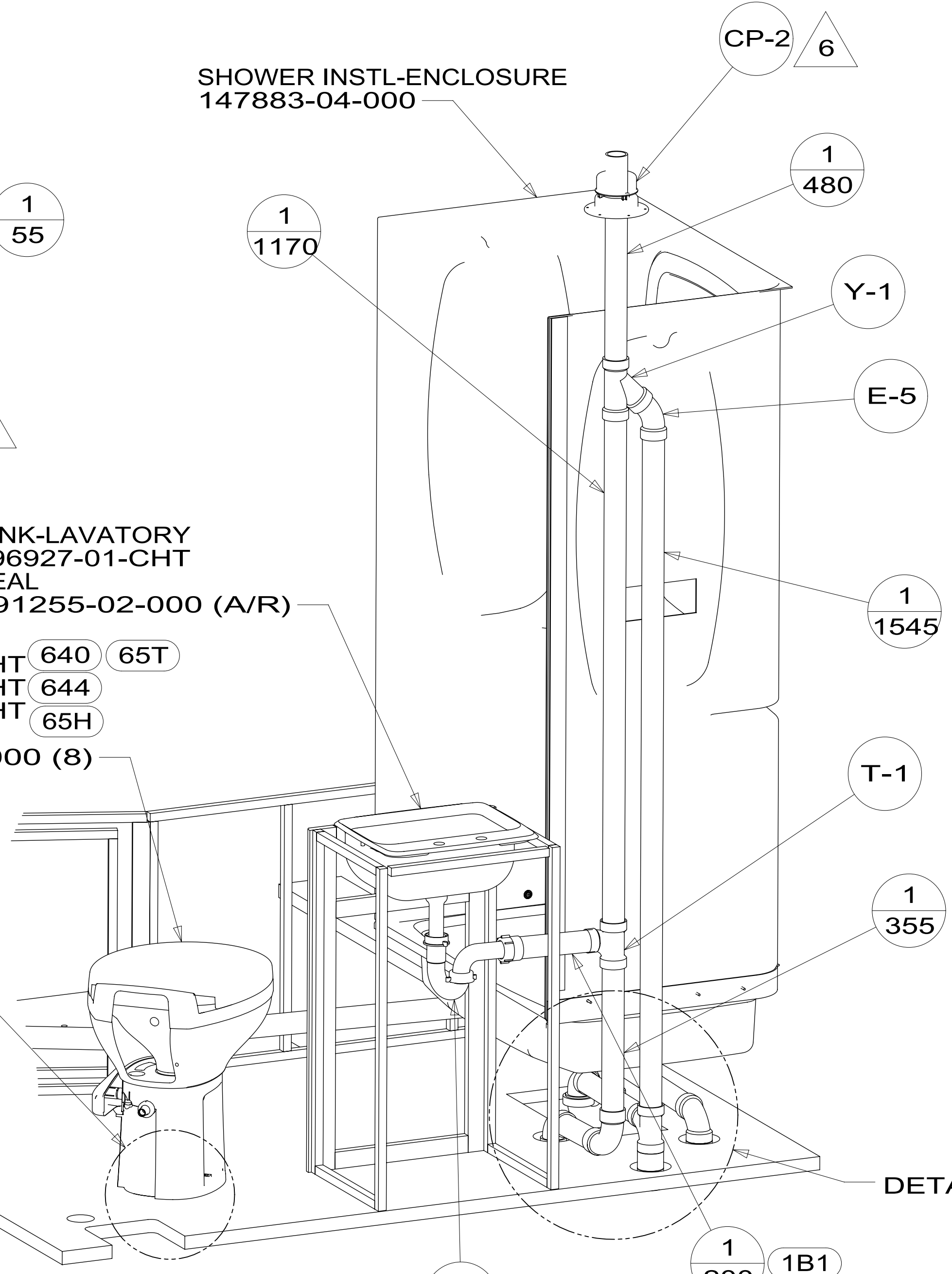
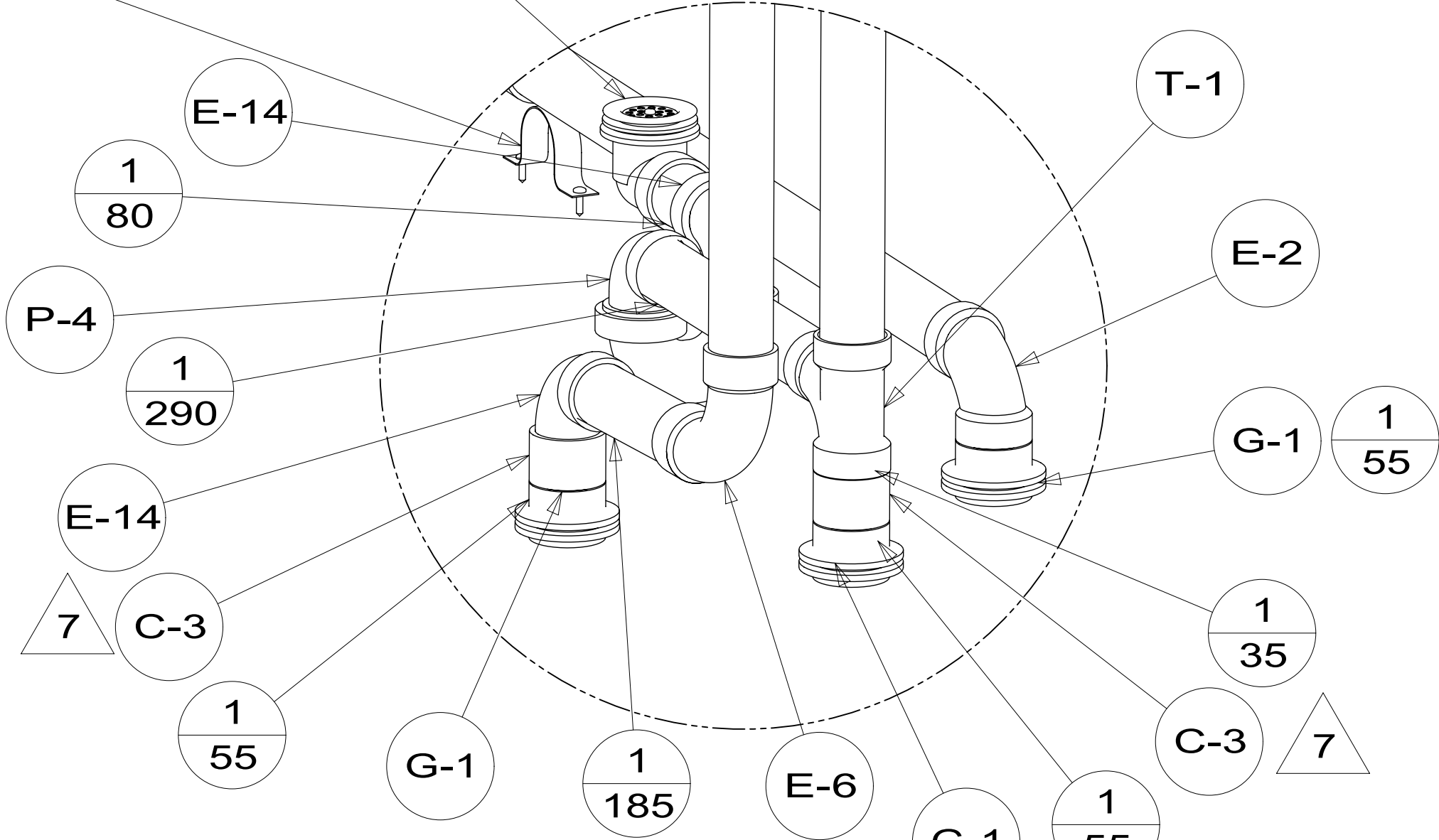
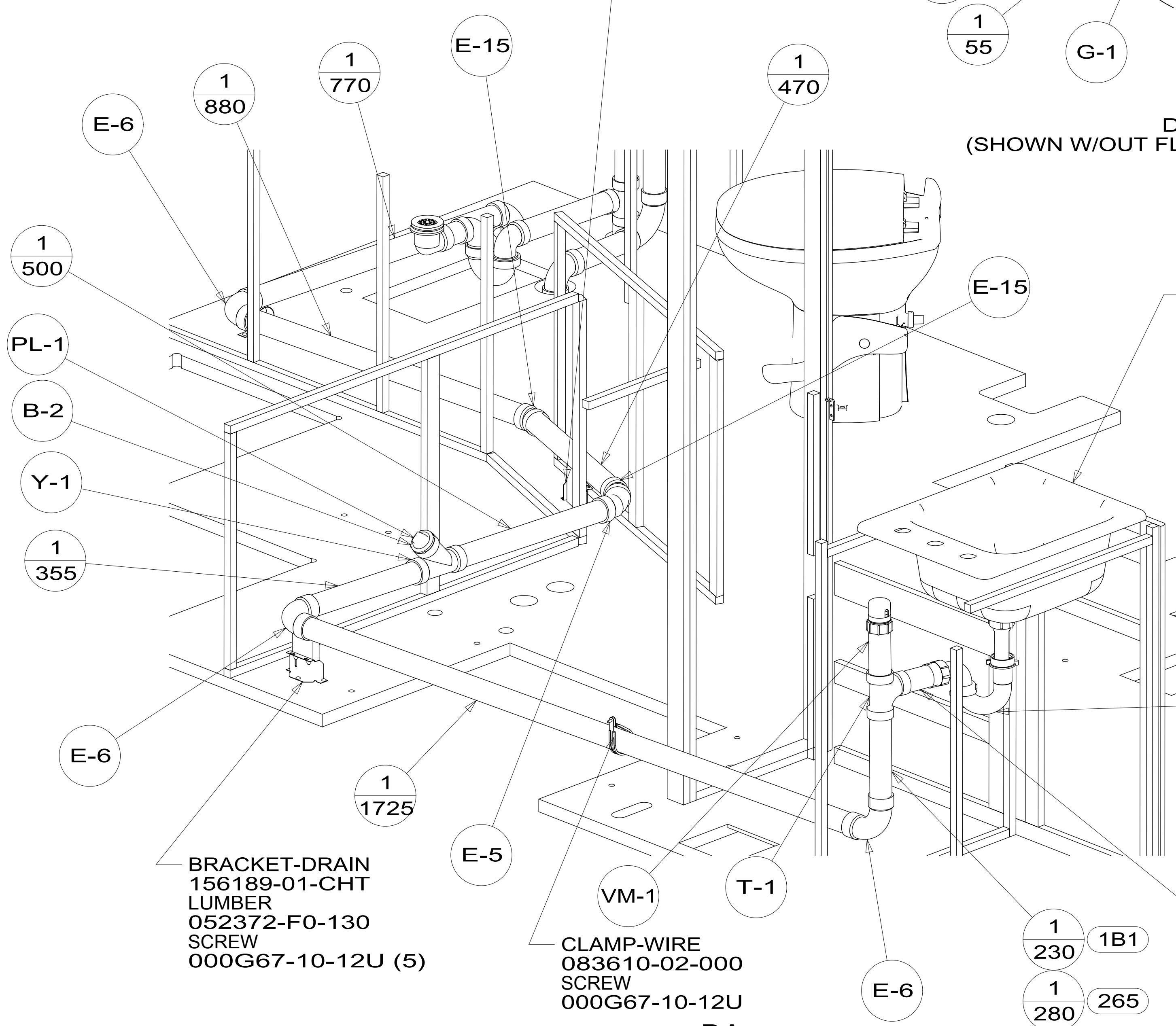
DETAIL BC  
(SHOWN W/OUT FLOOR, CABINET, & SHOWER)

DETAIL BD

DETAIL BD  
(SHOWN W/OUT FLOOR)

VIEW BA

VIEW BB

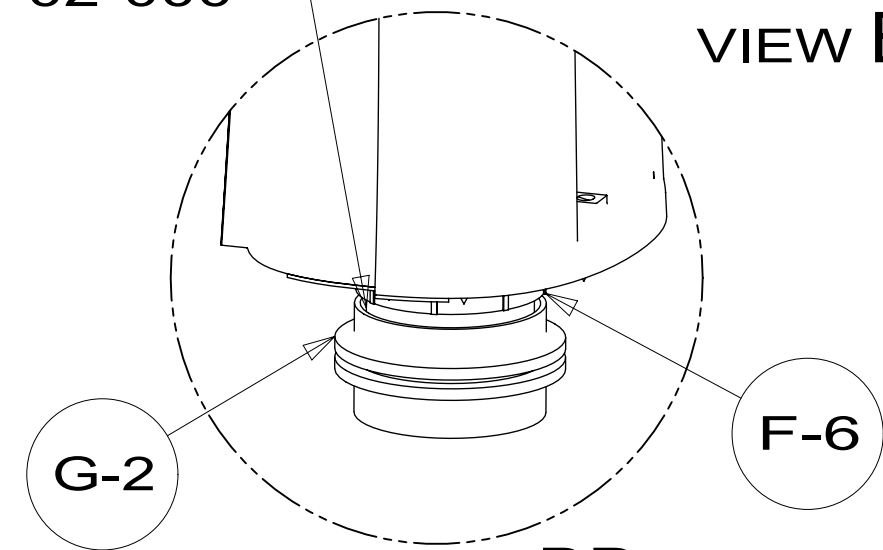


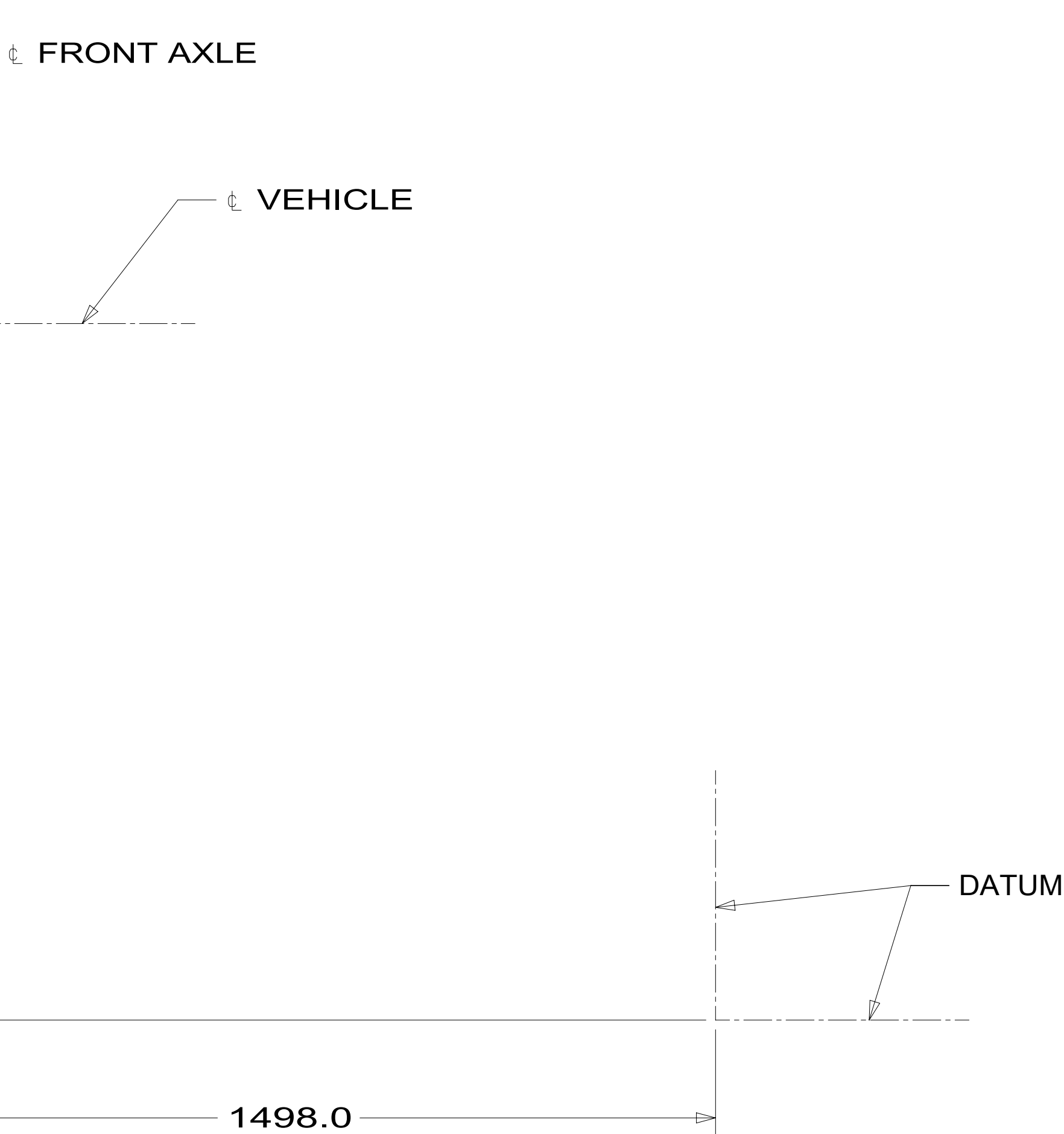
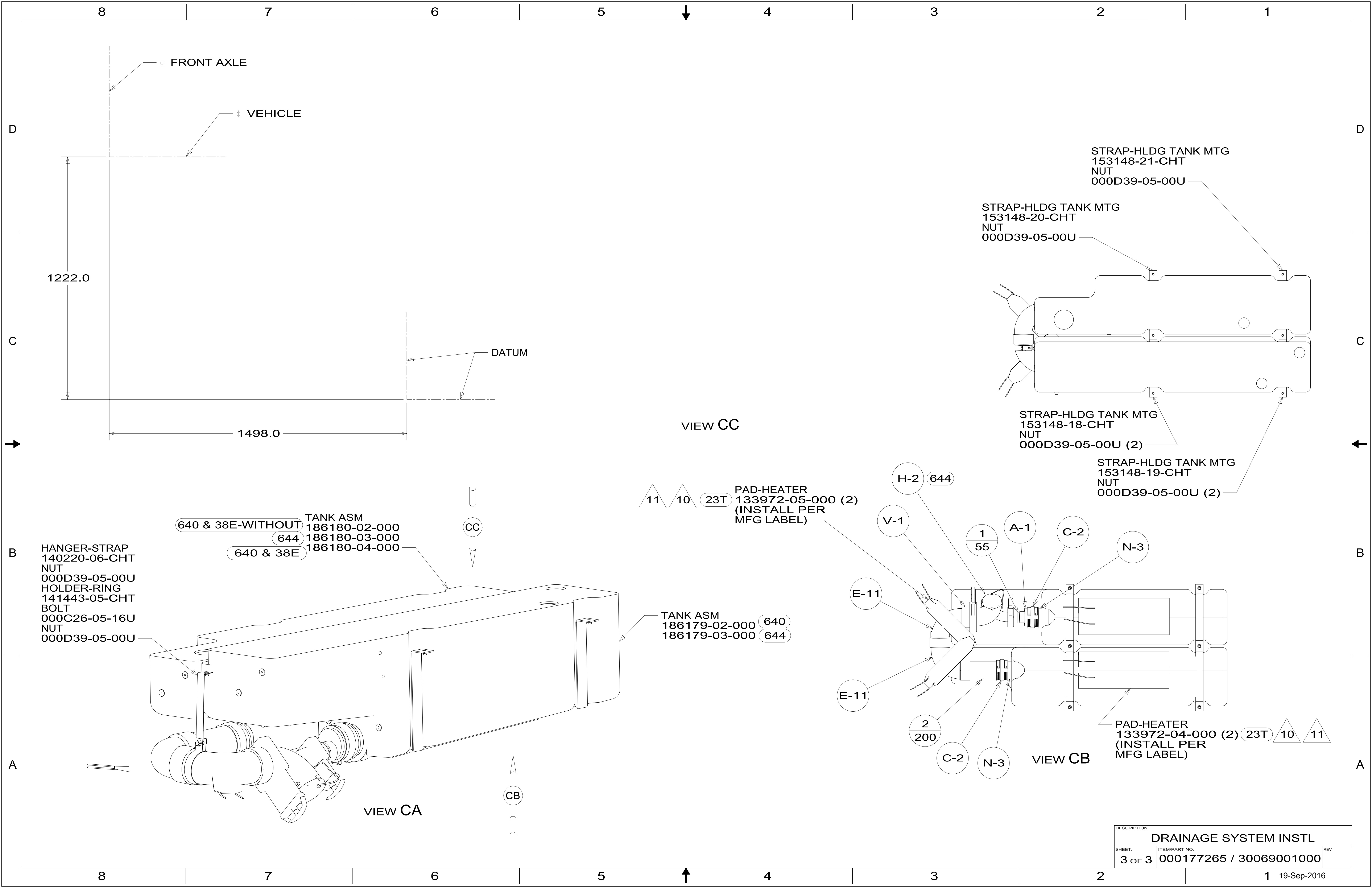
- P-1 1B1
- P-3 265
- A-15 1B1
- 1 230 1B1
- 1 100 1B1
- 1 280 265
- 1 205 265

- P-1 1B1
- P-3 265
- A-15 1B1

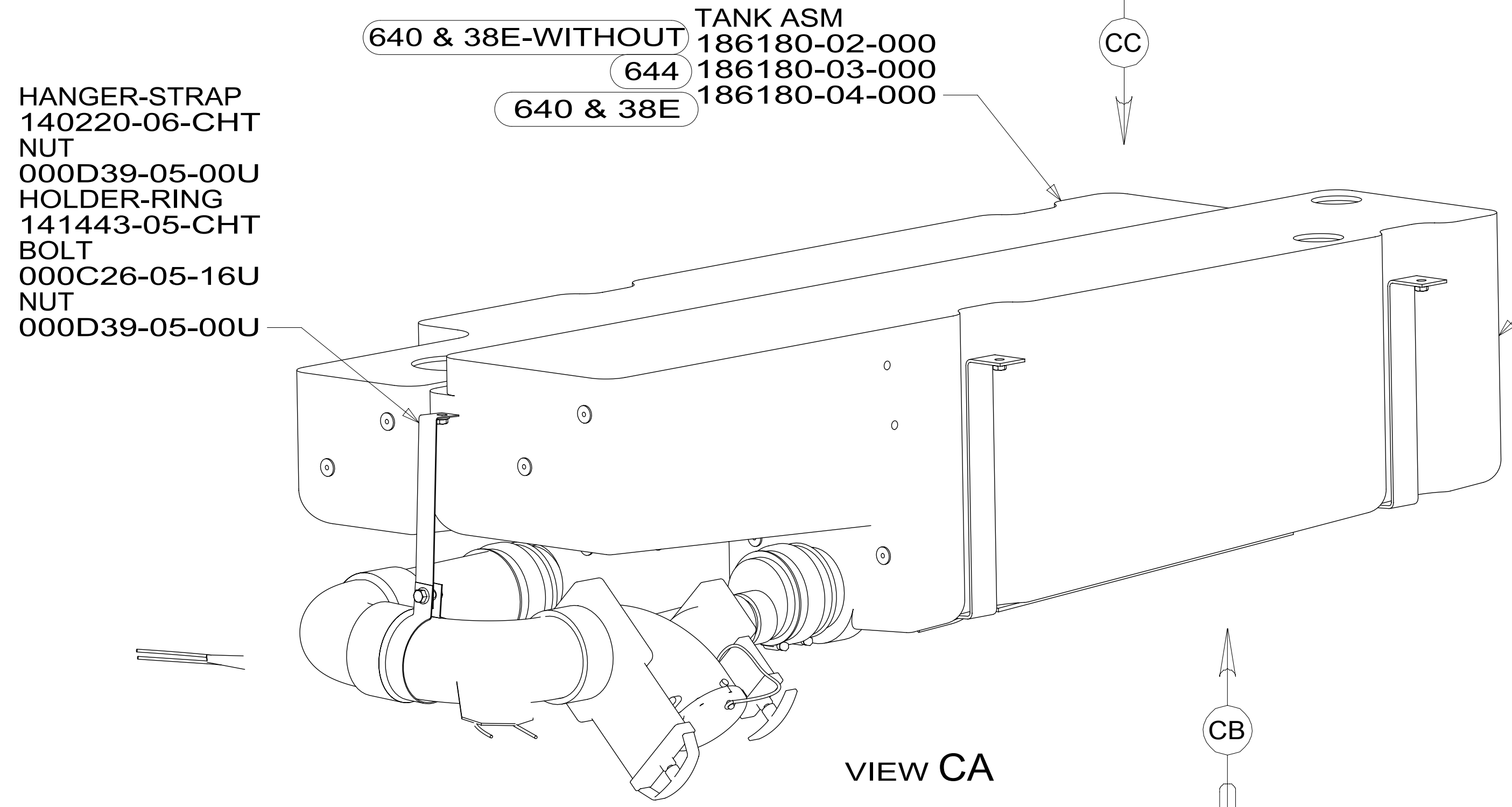
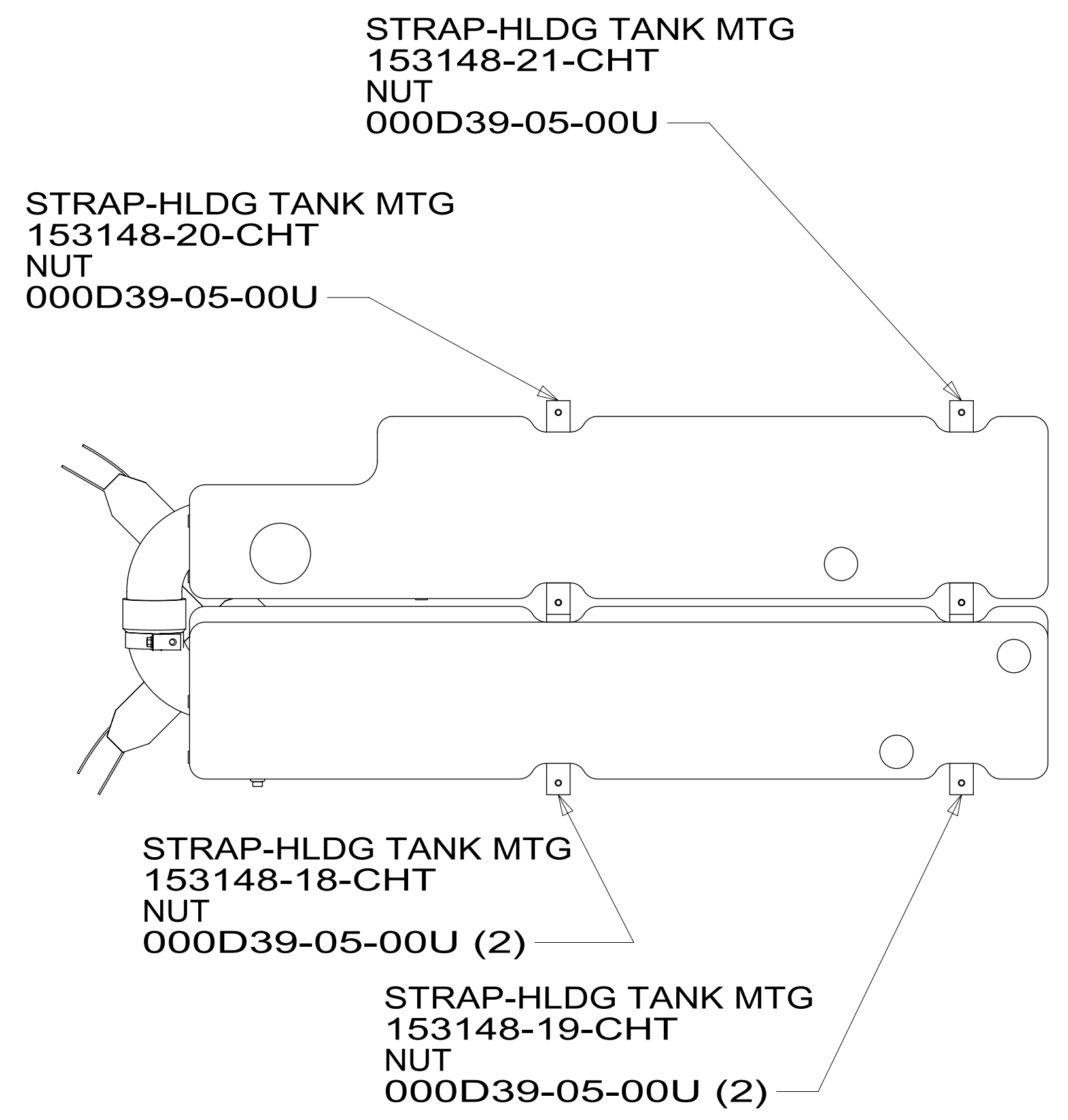
- 1 200 1B1
- 1 270 265

12 NIPPLE-PLASTIC  
010129-02-000

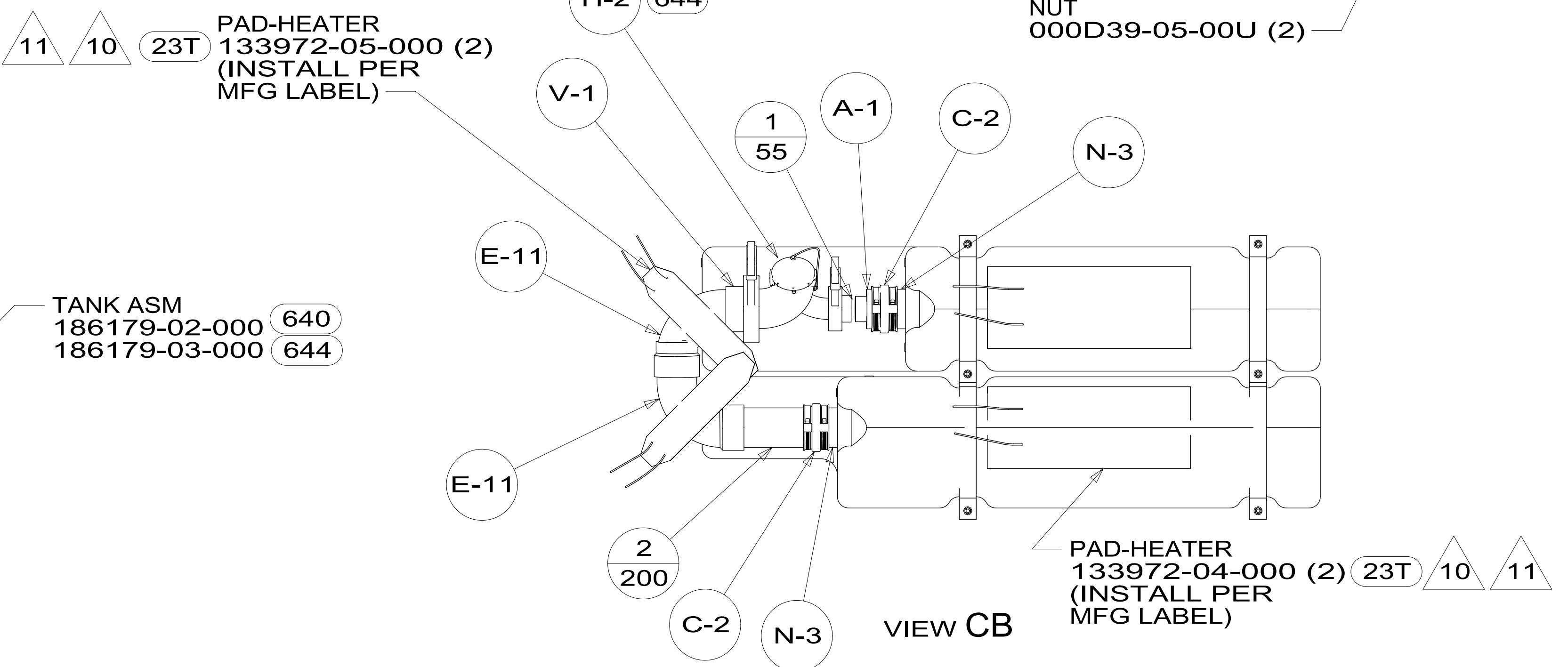




VIEW CC



VIEW CA



VIEW CB

DESCRIPTION:		
<b>DRAINAGE SYSTEM INSTL</b>		
SHEET:	ITEM/PART NO.:	REV
3 OF 3	000177265 / 30069001000	