

- 8. ALL CRIMP FITTINGS TO PEX TUBING REQUIRE 1/2" CLAMP 140171-03-000.
- 7. ALL CRIMP FITTINGS TO PEX TUBING REQUIRE 5/8" CLAMP 140171-04-000.
- 6 LABEL HOT AND COLD SUPPLY TUBES AND TAPE FITTING TO TUBE BEFORE CABINET SET TO PREVENT MOVEMENT.
- 5 ADD PIPE WRAP (LADDER SCRAP 110157-02-000) INSULATION.
- 4 ADD TEFLON TAPE 010405-02-000.
- 3. ALL TUBING TO BE SECURED AT 1200 INTERVALS MAXIMUM WITH CLAMP 010495-01-000 AND SCREW 000G67-10-12U OR EQUIVALENT.
- 2. TUBING TO BE INSTALLED WITH SUFFICIENT SLOPE TO PROVIDE DRAINAGE TO NEAREST VALVE.
- 1. PLASTIC FITTINGS TO BE SEALED WITH SEALANT 084456-01-000.

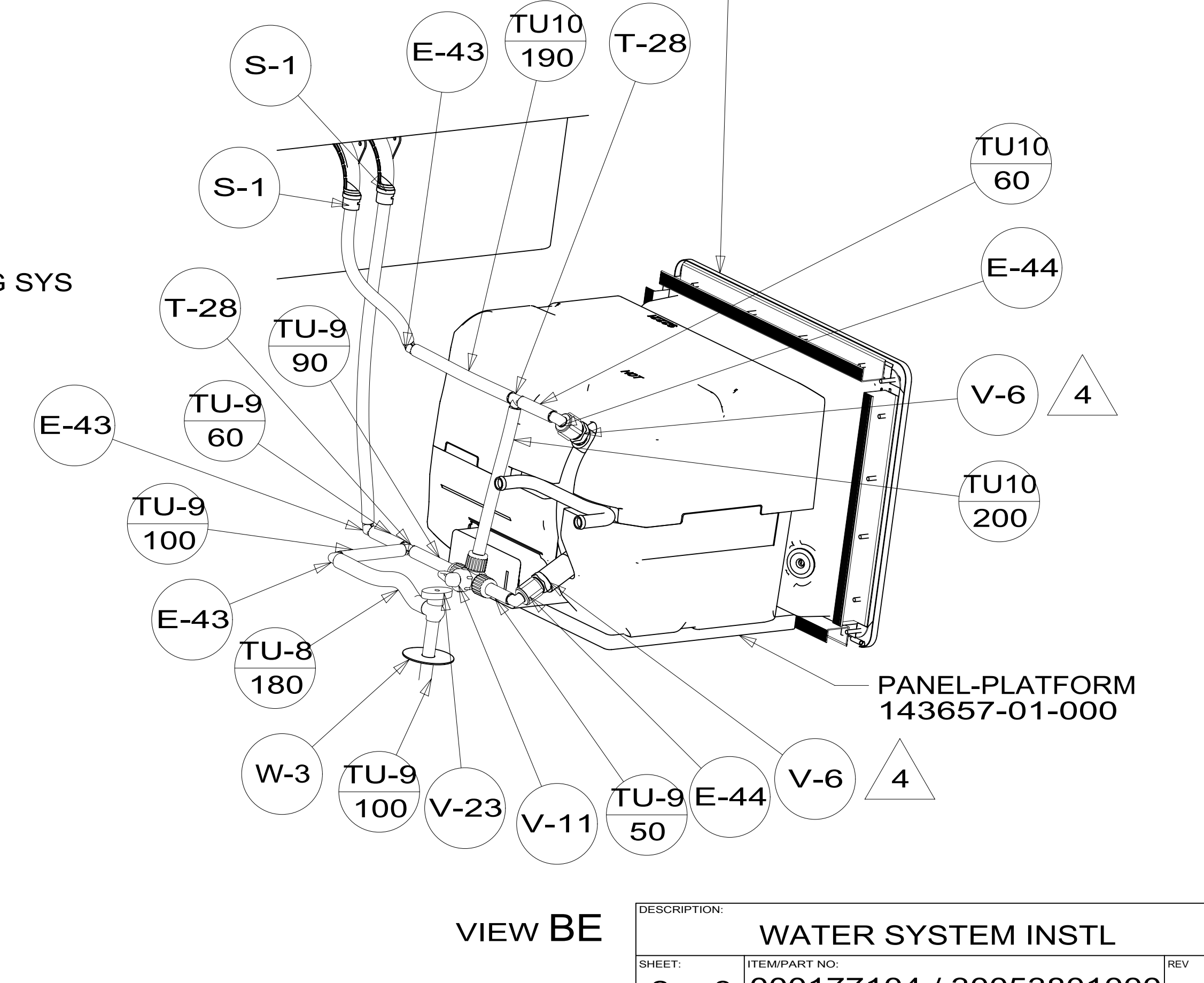
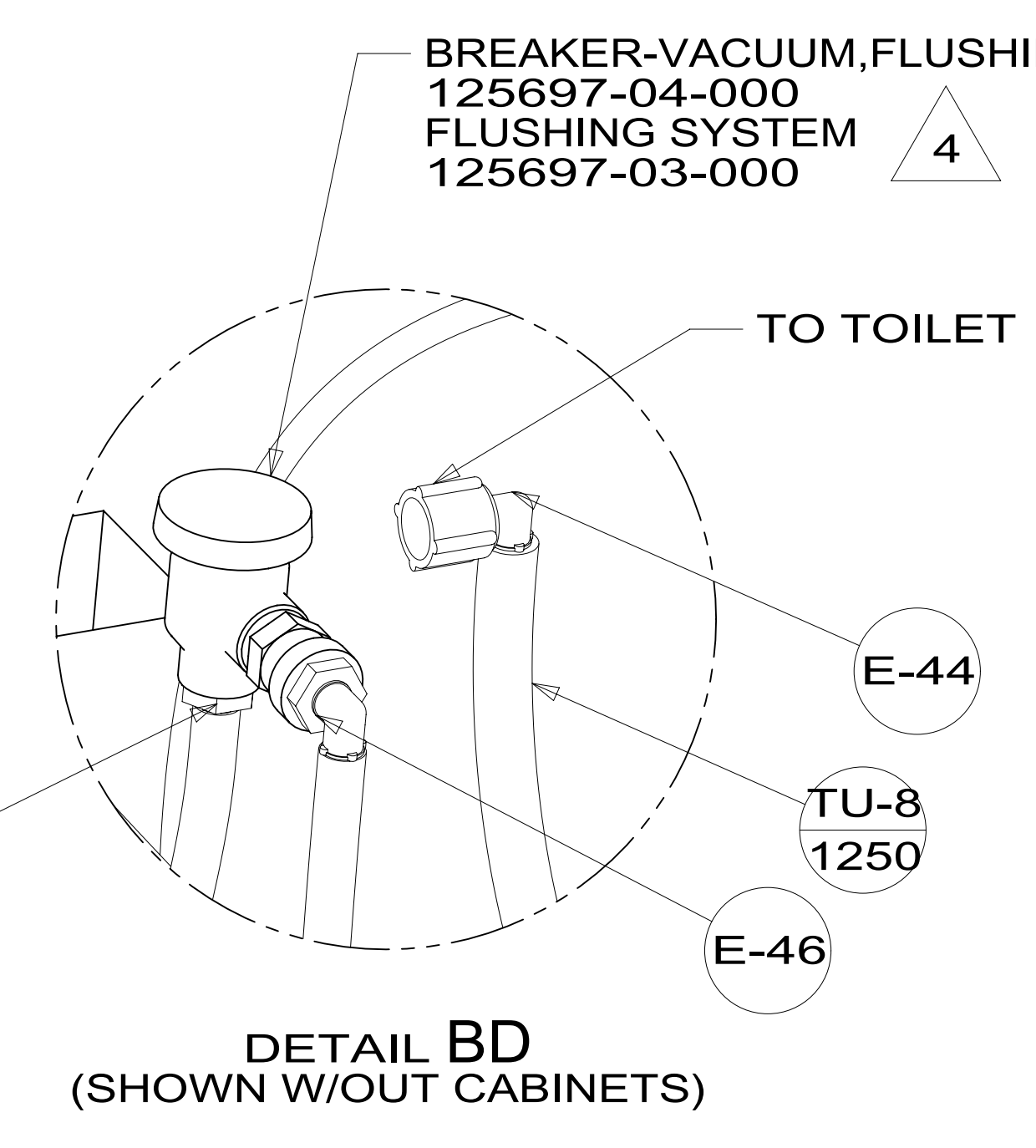
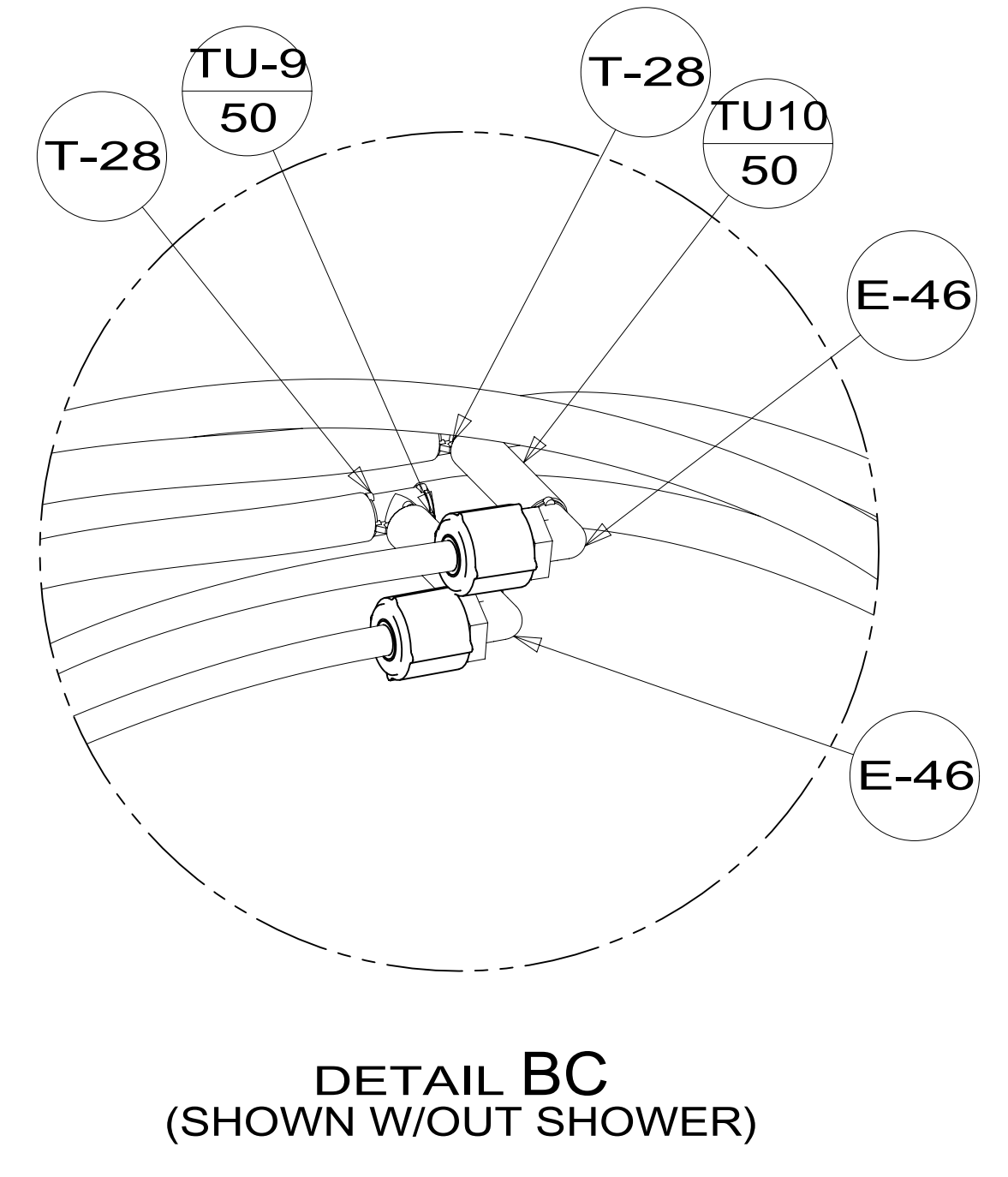
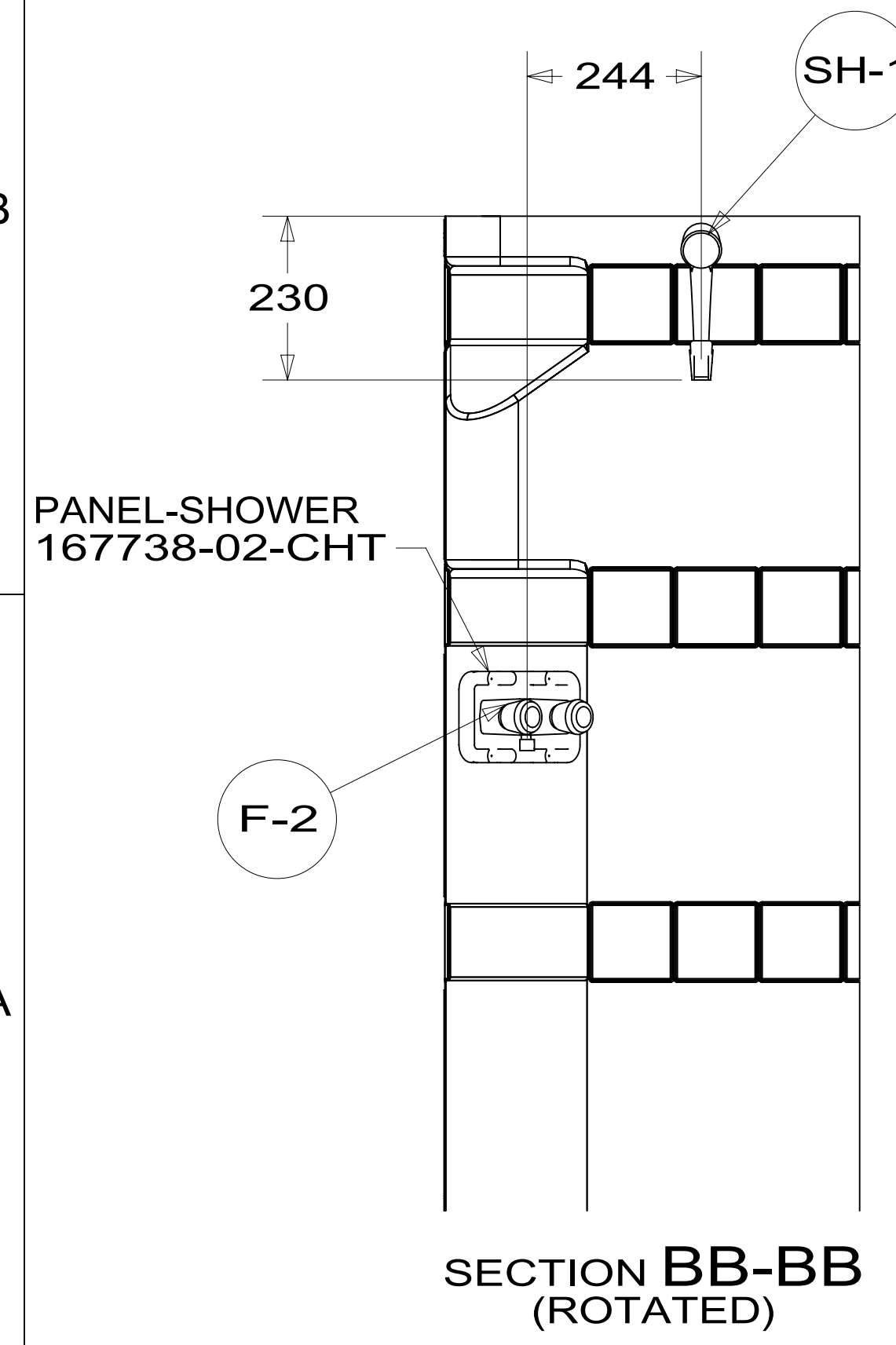
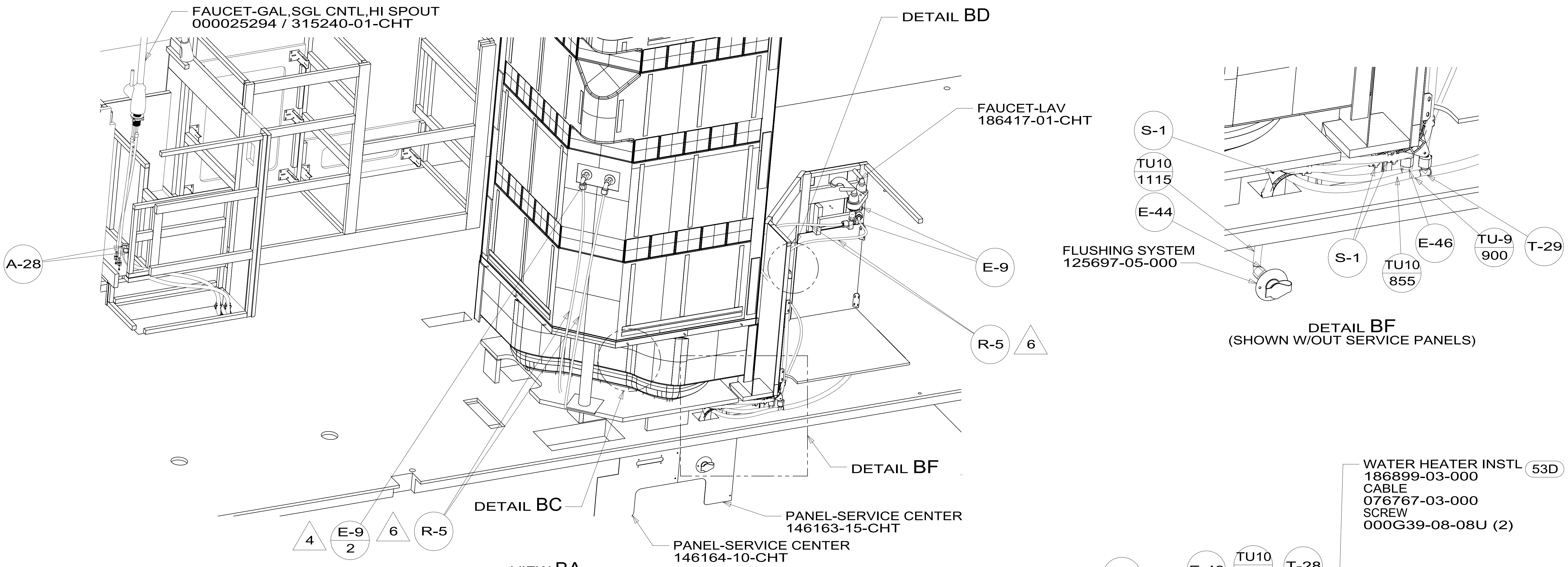
NOTES:

X-X
 FOR WATER CALLOUTS SEE DWG NO. 303369-01-000

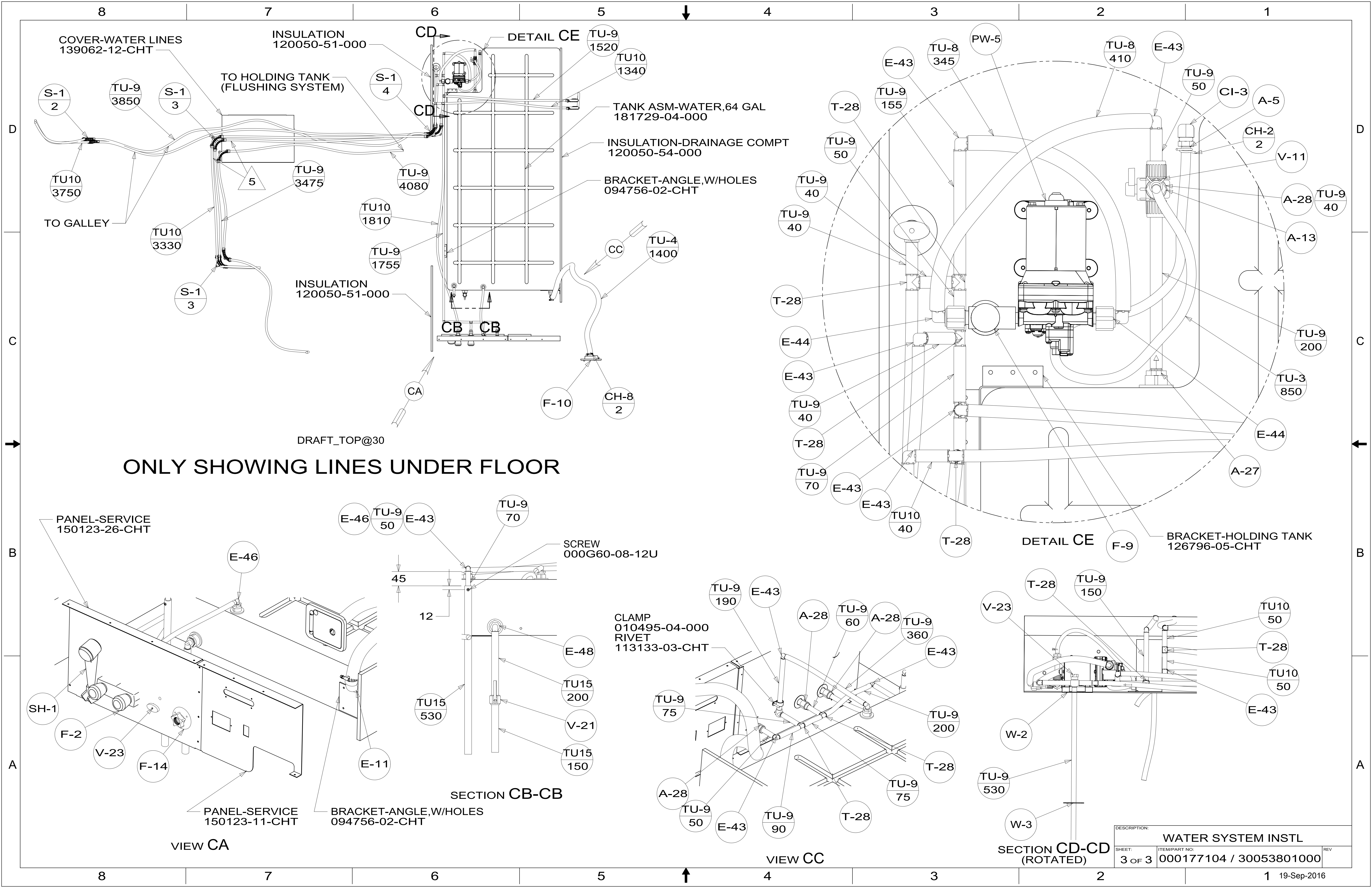
53D WTR HTR-6GAL/ELE/LP/MOTORAID



DSNR:		ALL DIMENSIONS ARE IN MILLIMETERS	
DIFTR:			
UNSPECIFIED TOLERANCES:		MATERIAL:	
WHOLE DIM (X)	3	
ONE-PLACE (X.X)	1.5	
TWO-PLACE (X.XX)	0.50	
ANGLE	1°	
REFER TO ES0018 FOR FASTENER TIGHTENING GUIDELINES		WEIGHT: (LBS)	FIRST USED: (REF)
			16 E27N
DESCRIPTION: WATER SYSTEM INSTL			
SHEET:	ITEM/PART NO.:	REV:	
1 OF 3	000177104 / 30053801000		
REF:		1 19-Sep-2016	



DESCRIPTION: WATER SYSTEM INSTL		
SHEET: 2 OF 3	ITEM/PART NO: 000177104 / 30053801000	REV
		19-Sep-2016



COVER-WATER LINES
139062-12-CHT

INSULATION
120050-51-000

TO HOLDING TANK
(FLUSHING SYSTEM)

TO GALLEY

INSULATION
120050-51-000

TANK ASM-WATER, 64 GAL
181729-04-000

INSULATION-DRAINAGE COMPT
120050-54-000

BRACKET-ANGLE, W/HOLES
094756-02-CHT

BRACKET-HOLDING TANK
126796-05-CHT

CLAMP
010495-04-000

RIVET
113133-03-CHT

SECTION CB-CB

VIEW CA

VIEW CC

SECTION CD-CD
(ROTATED)

DESCRIPTION:		
WATER SYSTEM INSTL		
SHEET:	ITEM/PART NO:	REV
3 OF 3	000177104 / 30053801000	

19-Sep-2016