

- 7 PREP SURFACE WITH 87211-01-000.
- 6 SEE 110V LOAD CENTER FOR ADDITIONAL INFORMATION.
- 5 ROUTE 1 TRANSMITTER TO EACH SIDE AND COIL FOR FUTURE USE.
- 4 ROUTE 110V & 12V IN OPPOSITE ENDS OF ELECTRICAL BOX.

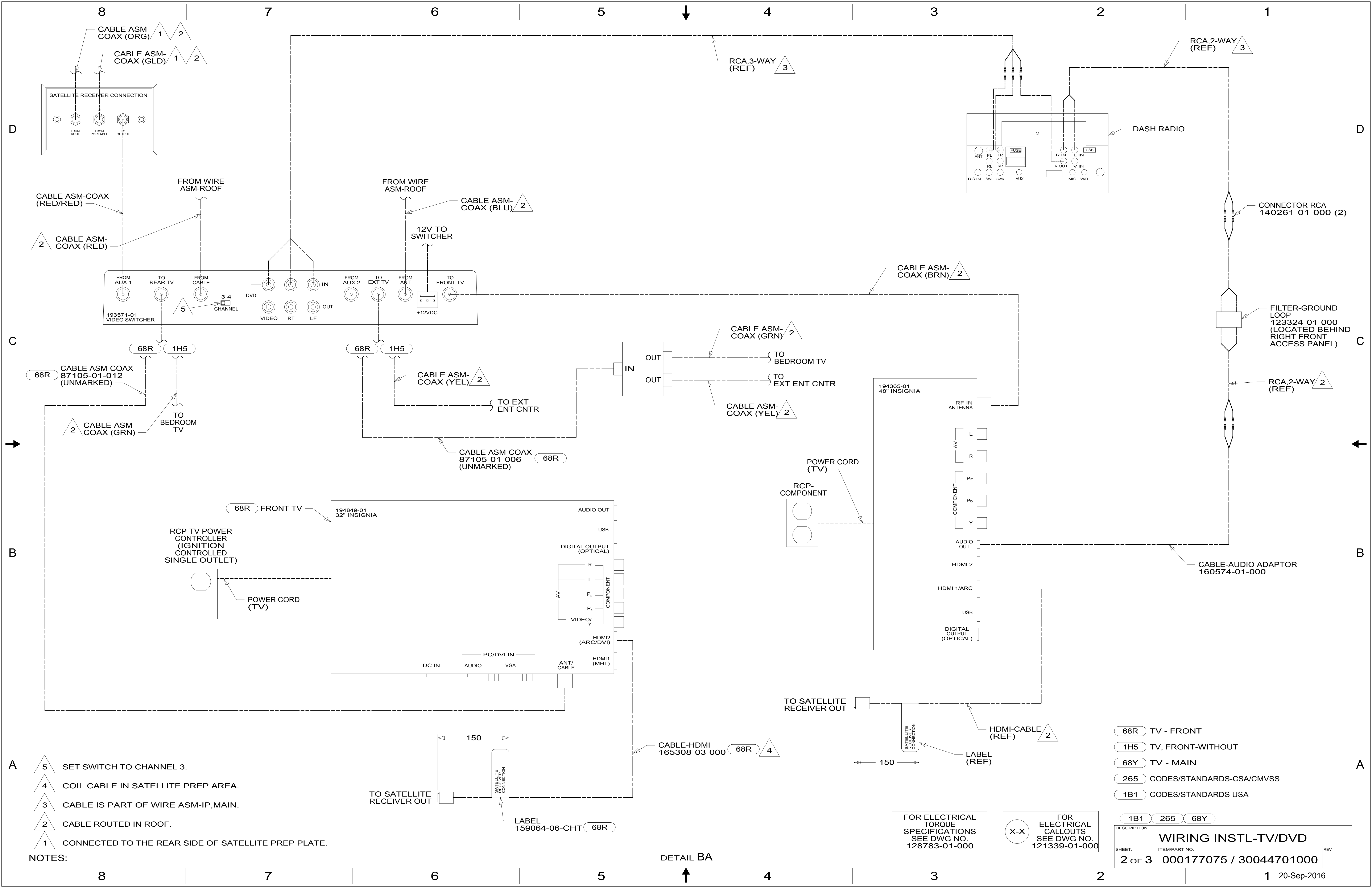
- 3. WHERE WIRES PASS THROUGH HOLES IN STEEL AND NOT OTHERWISE PROTECTED, USE GROMMET 92908-02-000.
- 2. AT MINIMUM ALL WIRES TO BE SUPPORTED AND SECURED PER CODE REQUIREMENTS. USE CLAMP 10495 OR 10497 OR WIRE TIE 8343 OR 108046 AND SCREW G67-XX-XXX OR G56-XX-XXX AS APPROPRIATE FOR INSTALLATION.
- 1. 110V WIRE TO BE CLAMPED WITH CLAMP 10497-05-000 WITHIN 200MM OF OUTLET BOXES, USE SCREW G67-10-12B.

NOTES:

- 68Y TV - MAIN
- 68R TV - FRONT
- 265 CODES/STANDARDS-CSA/CMVSS
- 1B1 CODES/STANDARDS USA

WINNEBAGO
COPYRIGHT 2016 WINNEBAGO INDUSTRIES, INC.

DSNR:	ALL DIMENSIONS ARE IN MILLIMETERS
DFFR:	
UNSPECIFIED TOLERANCES:	MATERIAL:
WHOLE DIM (X) : 3	
ONE-PLACE (X.X) : 1.5	
TWO-PLACE (X.XX) : 0.50	
ANGLE : 1°	
REFER TO ES0018 FOR FASTENER TIGHTENING GUIDELINES	WEIGHT: (LBS) FIRST USED: 16 E27N
DESCRIPTION: WIRING INSTL-TV/DVD	
SHEET: 1 OF 3	ITEM/PART NO: 000177075 / 30044701000



- NOTES:
- 5 SET SWITCH TO CHANNEL 3.
 - 4 COIL CABLE IN SATELLITE PREP AREA.
 - 3 CABLE IS PART OF WIRE ASM-IP.MAIN.
 - 2 CABLE ROUTED IN ROOF.
 - 1 CONNECTED TO THE REAR SIDE OF SATELLITE PREP PLATE.

- 68R TV - FRONT
- 1H5 TV, FRONT-WITHOUT
- 68Y TV - MAIN
- 265 CODES/STANDARDS-CSA/CMVSS
- 1B1 CODES/STANDARDS USA

FOR ELECTRICAL TORQUE SPECIFICATIONS SEE DWG NO. 128783-01-000

FOR ELECTRICAL CALLOUTS SEE DWG NO. 121339-01-000

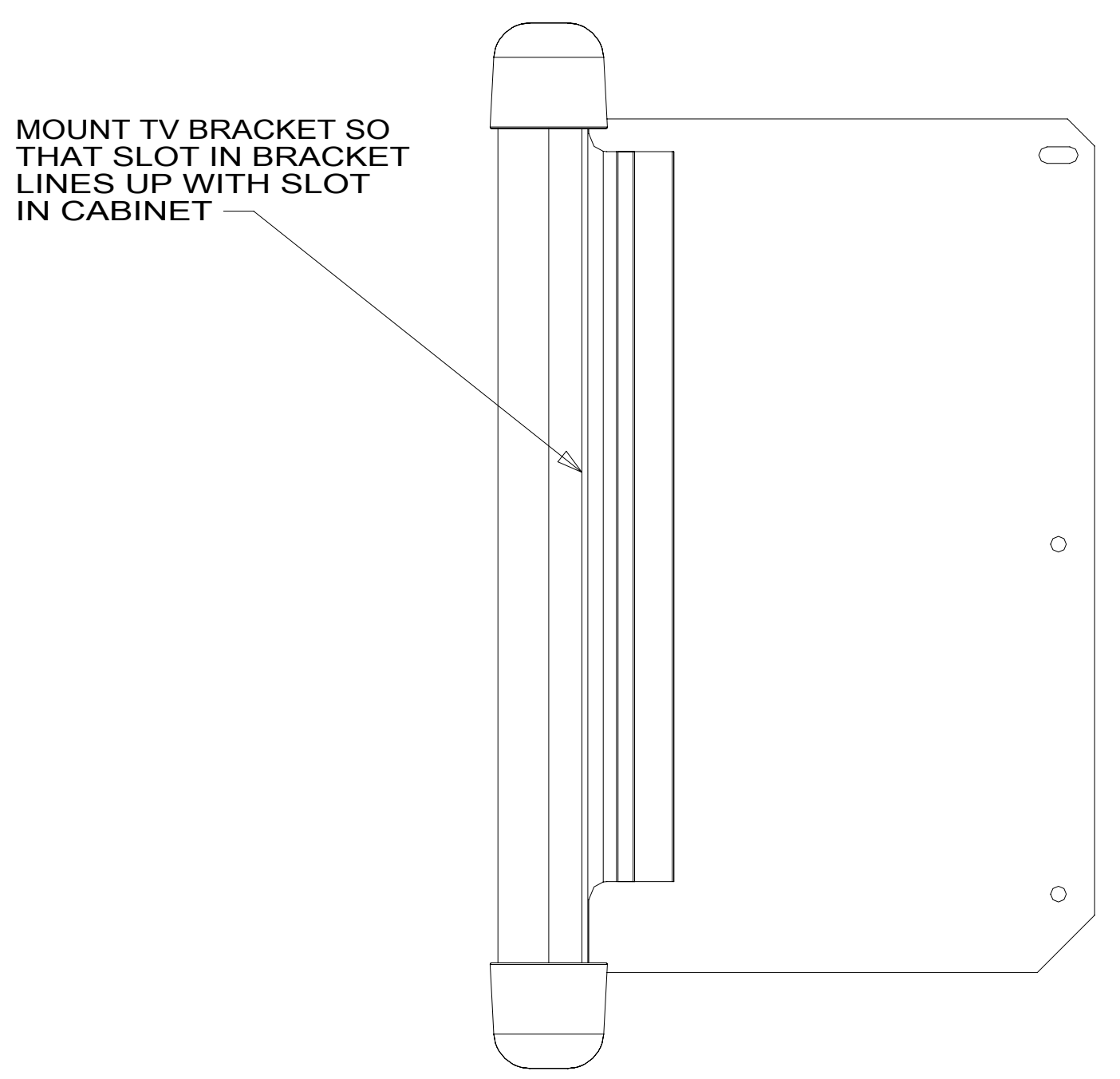
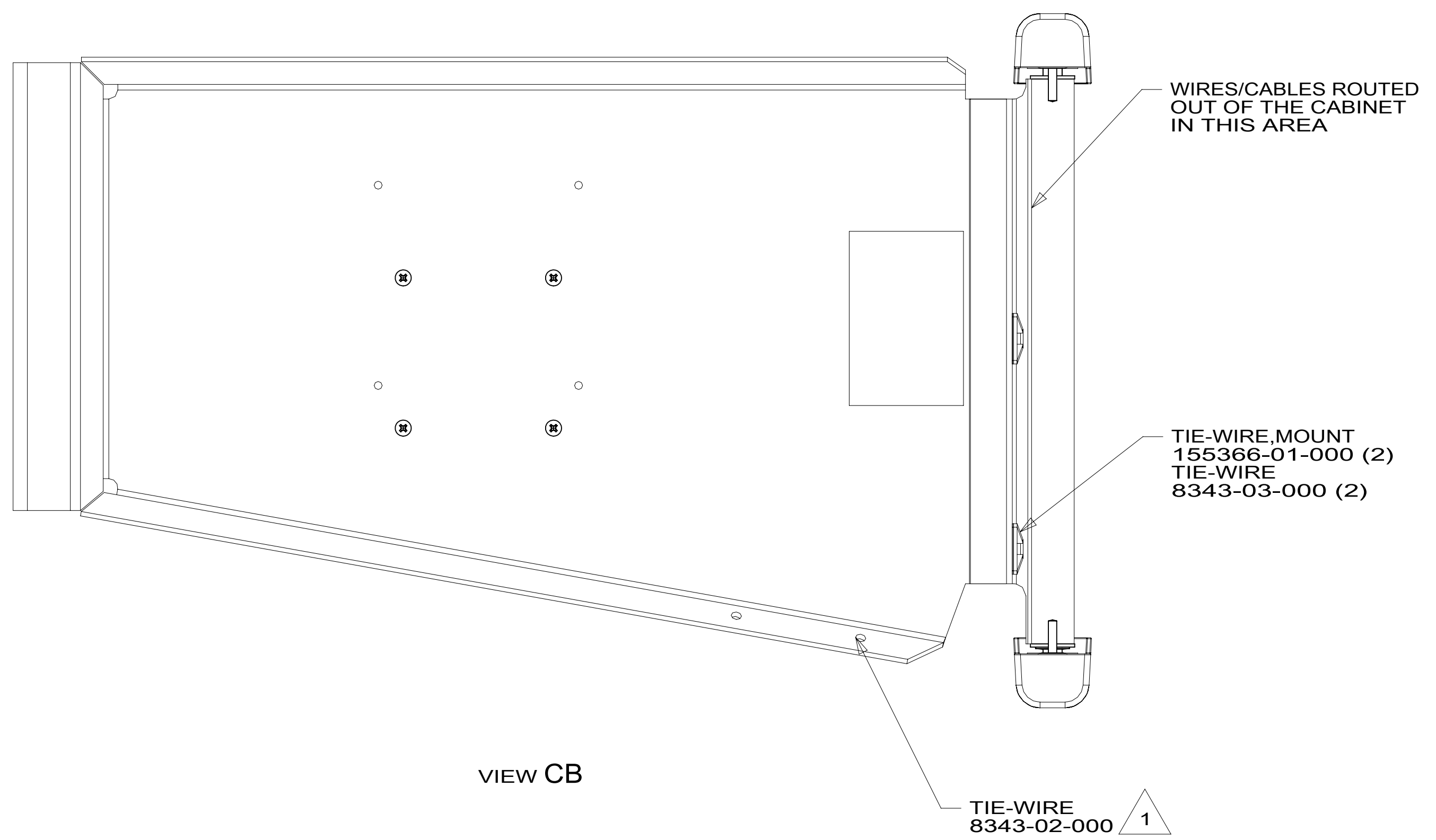
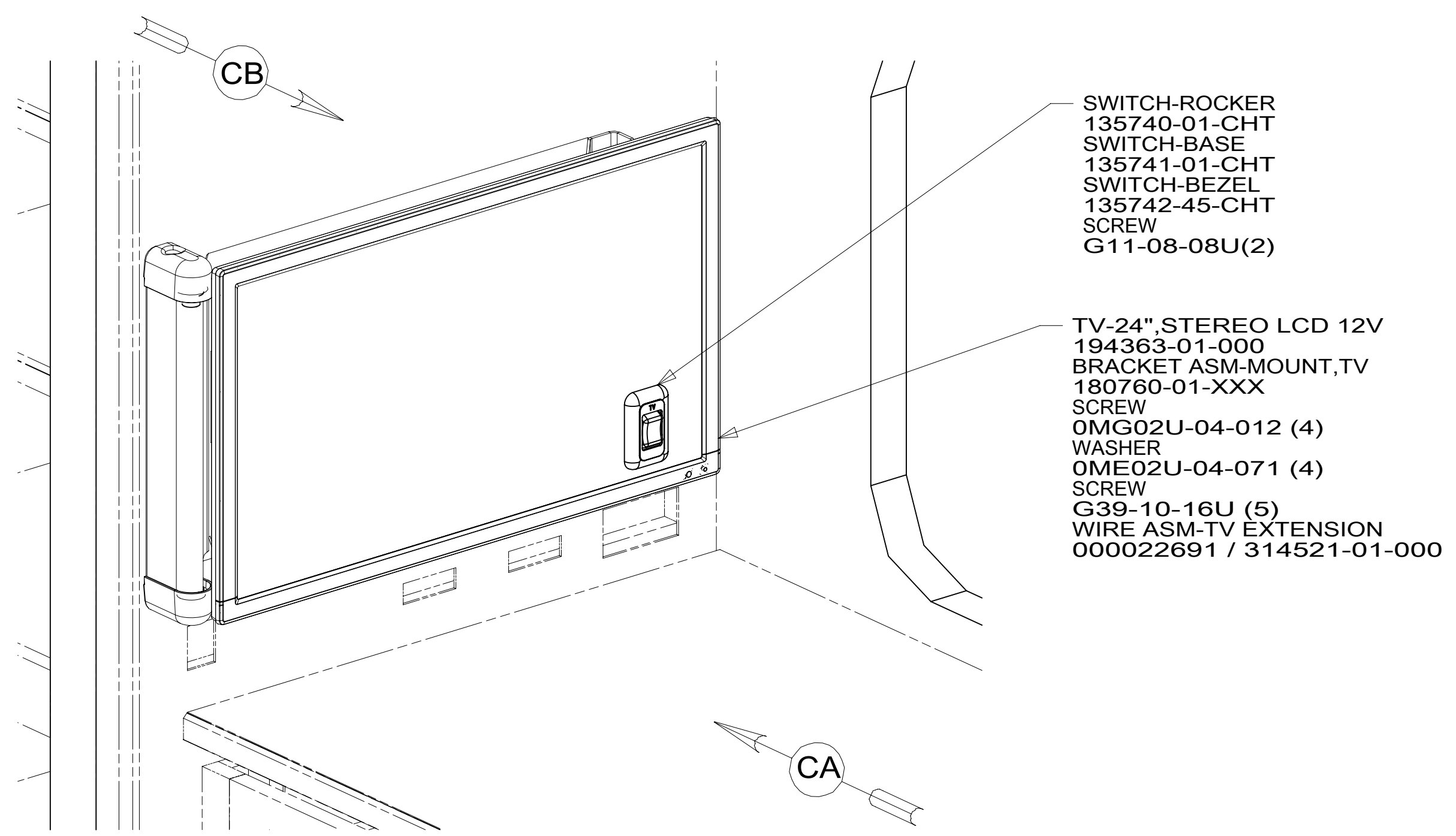
DESCRIPTION: WIRING INSTL-TV/DVD		
SHEET: 2 OF 3	ITEM/PART NO: 000177075 / 30044701000	REV

DETAIL BA

8 7 6 5 4 3 2 1



D
C
B
A



1 USE HOLES IN BRACKET ASM-MOUNT,TV TO ATTACH WIRE ASM TO BRACKET ASM-MOUNT,TV WITH WIRE TIES.

NOTES:

FOR ELECTRICAL TORQUE SPECIFICATIONS SEE DWG NO. 128783-01-000

FOR ELECTRICAL CALLOUTS SEE DWG NO. 121339-01-000

- 68X TV - BEDROOM
- 265 CODES/STANDARDS-CSA/CMVSS
- 1B1 CODES/STANDARDS USA

DESCRIPTION:	1B1 265 68X	
WIRING INSTL-TV/DVD		
SHEET:	ITEM/PART NO.:	REV
3 OF 3	000177075 / 30044701000	

8 7 6 5 4 3 2 1

