

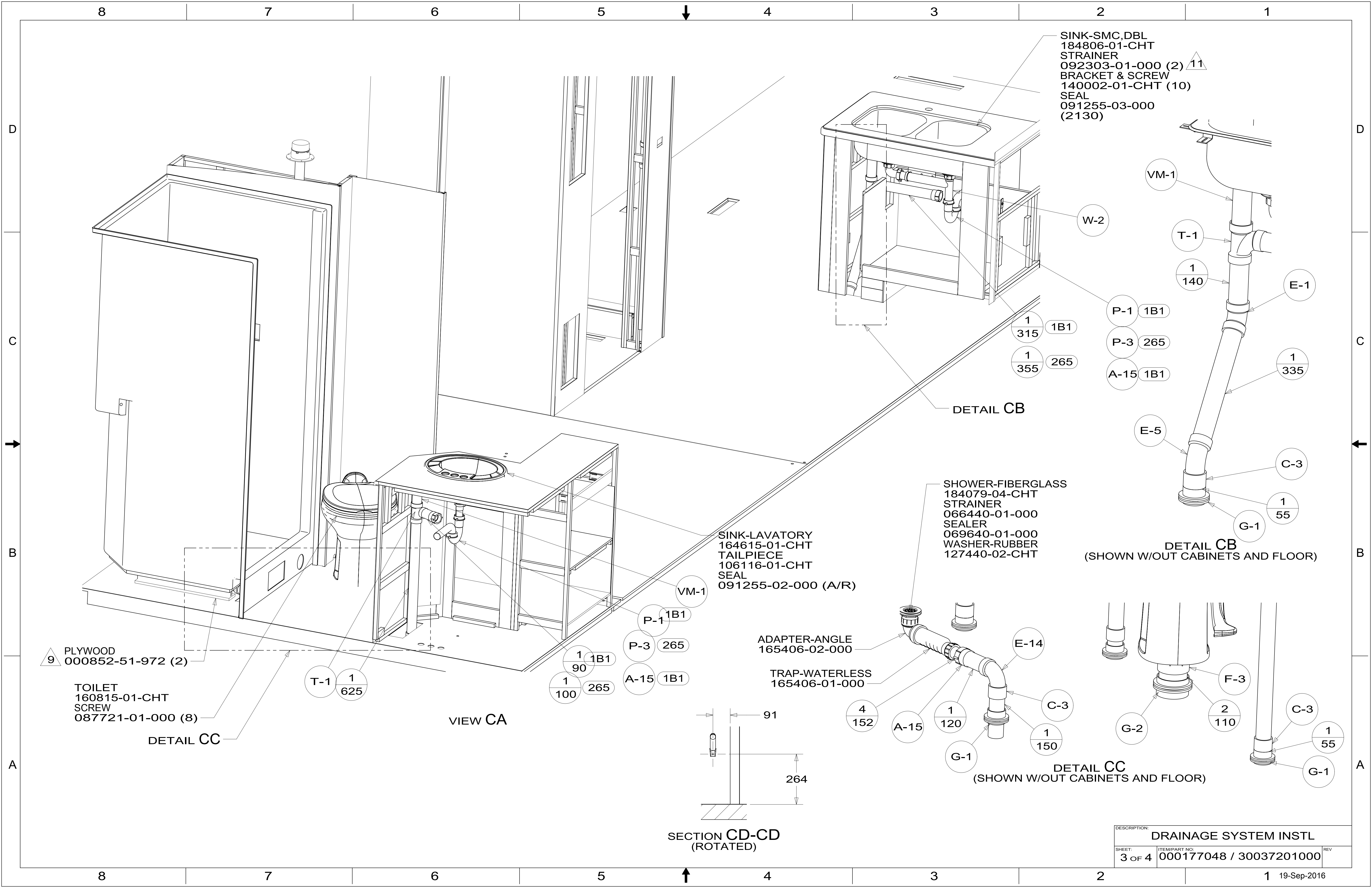
9. PLACE PLYWOOD UNDER SHOWER AS REQUIRED.
8. SECURE DRAINAGE PIPES TO CABINET USING WIRE TIE 108046-02-000, AND SCREW 000G67-10-12U AT INTERVALS OF NOT MORE THAN 4 FEET APART.
7. SECURE VENT PIPE TO FLOOR WITH CLAMP 062401-02-000 (2), SCREW 000G67-10-12U (2), BRACKET 136878-01-CHT (2).
6. VENT PIPE MUST PROJECT 51 MIN AND 64 MAX ABOVE ROOF FOR PROPER FIT AND FUNCTION. ADD S-1 (116666-01-CHT SEAL-VENT CAP) AROUND PIPE ON ROOF BEFORE VENT CAP IS INSTALLED.
5. SEAL AROUND SHOWER WITH SILICONE.
4. GLUE FITTING AFTER CABINET IS INSTALLED.
3. ALL PIPE AND FITTINGS TO BE ASSEMBLED WITH SOLVENT 004020-01-000 (USA), 004020-02-000 (CAN)
2. SLOPE OF TRAP ARM MUST BE 6 PER 305 mm.
1. SLOPE OF HORIZONTAL PIPING TO BE MINIMUM OF 3 PER 305 mm.

- 1B1 CODES/STANDARDS USA
- 265 CODES/STANDARDS-CSA/CMVSS

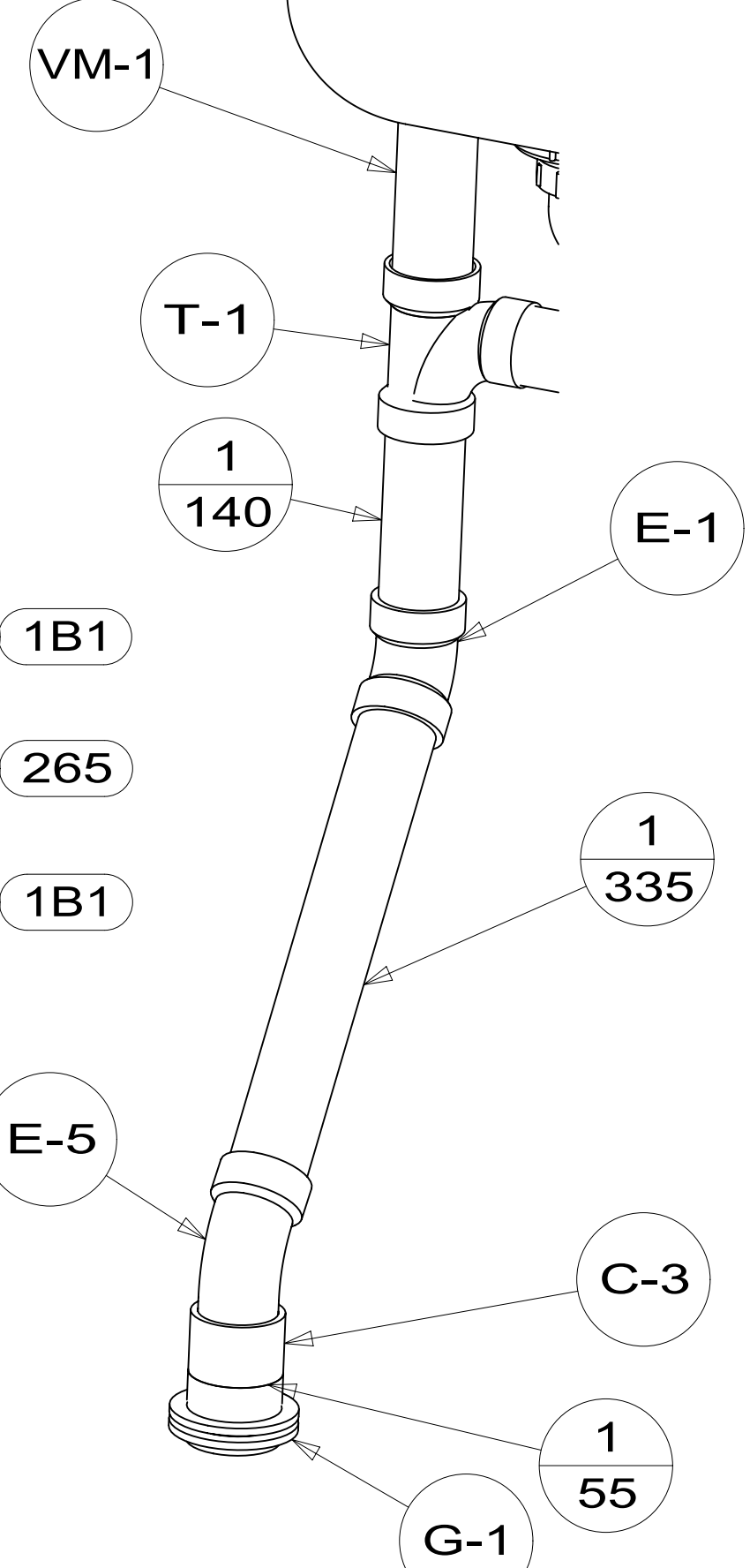
WINNEBAGO
 COPYRIGHT 2016 WINNEBAGO INDUSTRIES, INC.

DSNR:		ALL DIMENSIONS ARE IN MILLIMETERS	
DIFTR:		MATERIAL:	
UNSPECIFIED TOLERANCES:		WEIGHT: (LBS)	FIRST USED: (REF)
WHOLE DIM (X)	3		
ONE-PLACE (X.X)	1.5		
TWO-PLACE (X.XX)	0.50		
ANGLE	1°		
REFER TO ES0018 FOR FASTENER TIGHTENING GUIDELINES			
DESCRIPTION: DRAINAGE SYSTEM INSTL			
SHEET:	ITEM/PART NO:	REV	
1 OF 4	000177048 / 30037201000		

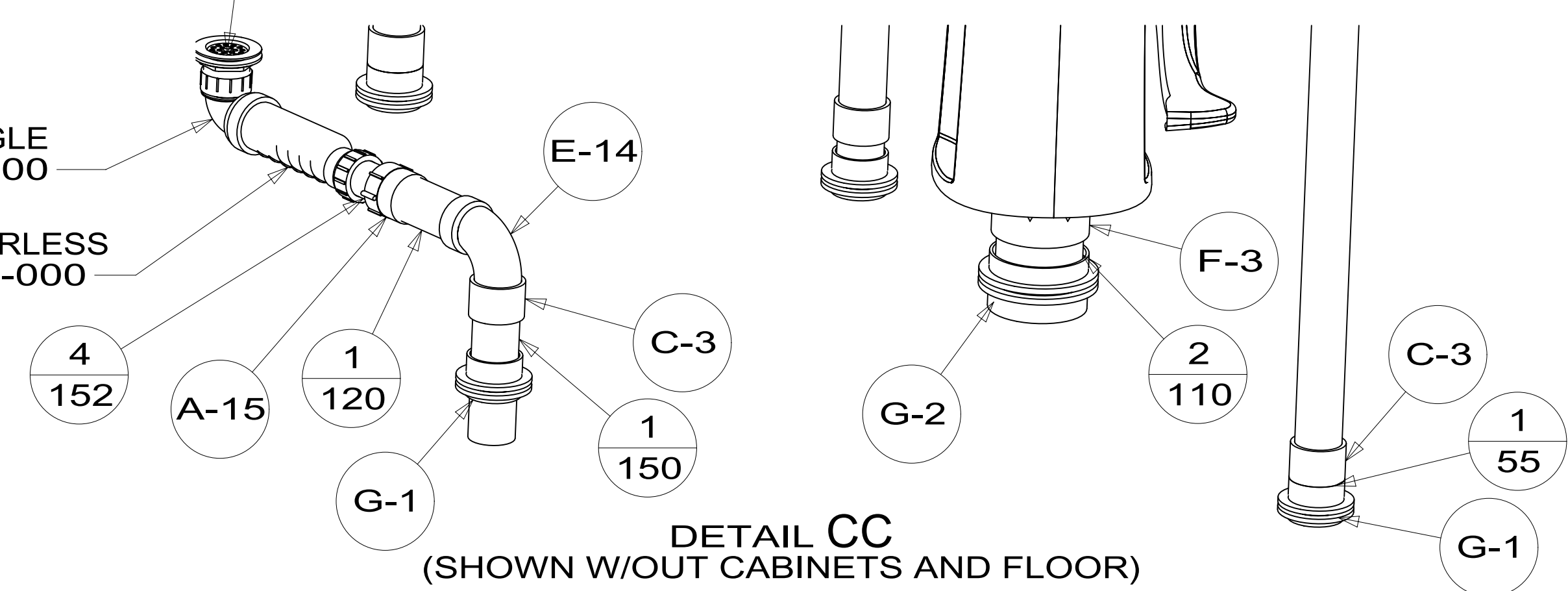
X-X
 FOR DRAINAGE CALLOUTS SEE DWG NO. 116229-01-000



SINK-SMC, DBL
 184806-01-CHT
 STRAINER
 092303-01-000 (2) /11
 BRACKET & SCREW
 140002-01-CHT (10)
 SEAL
 091255-03-000
 (2130)



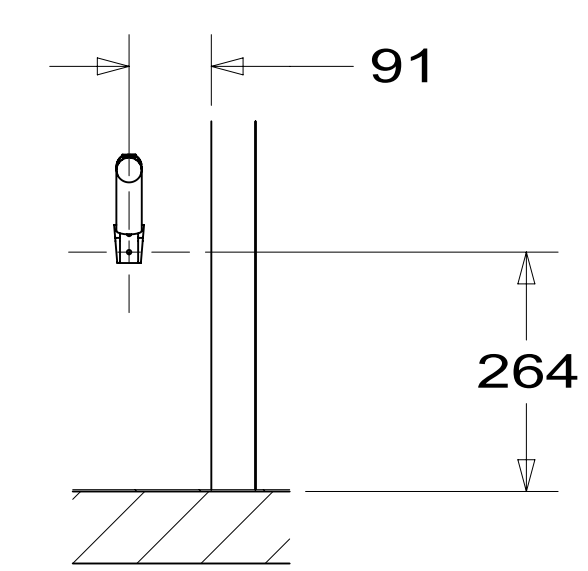
SHOWER-FIBERGLASS
 184079-04-CHT
 STRAINER
 066440-01-000
 SEALER
 069640-01-000
 WASHER-RUBBER
 127440-02-CHT



SINK-LAVATORY
 164615-01-CHT
 TAILPIECE
 106116-01-CHT
 SEAL
 091255-02-000 (A/R)

ADAPTER-ANGLE
 165406-02-000

TRAP-WATERLESS
 165406-01-000



VIEW CA

PLYWOOD
 000852-51-972 (2)

TOILET
 160815-01-CHT
 SCREW
 087721-01-000 (8)

DETAIL CC

DESCRIPTION:		
DRAINAGE SYSTEM INSTL		
SHEET:	ITEM/PART NO.:	REV
3 OF 4	000177048 / 30037201000	
		19-Sep-2016

