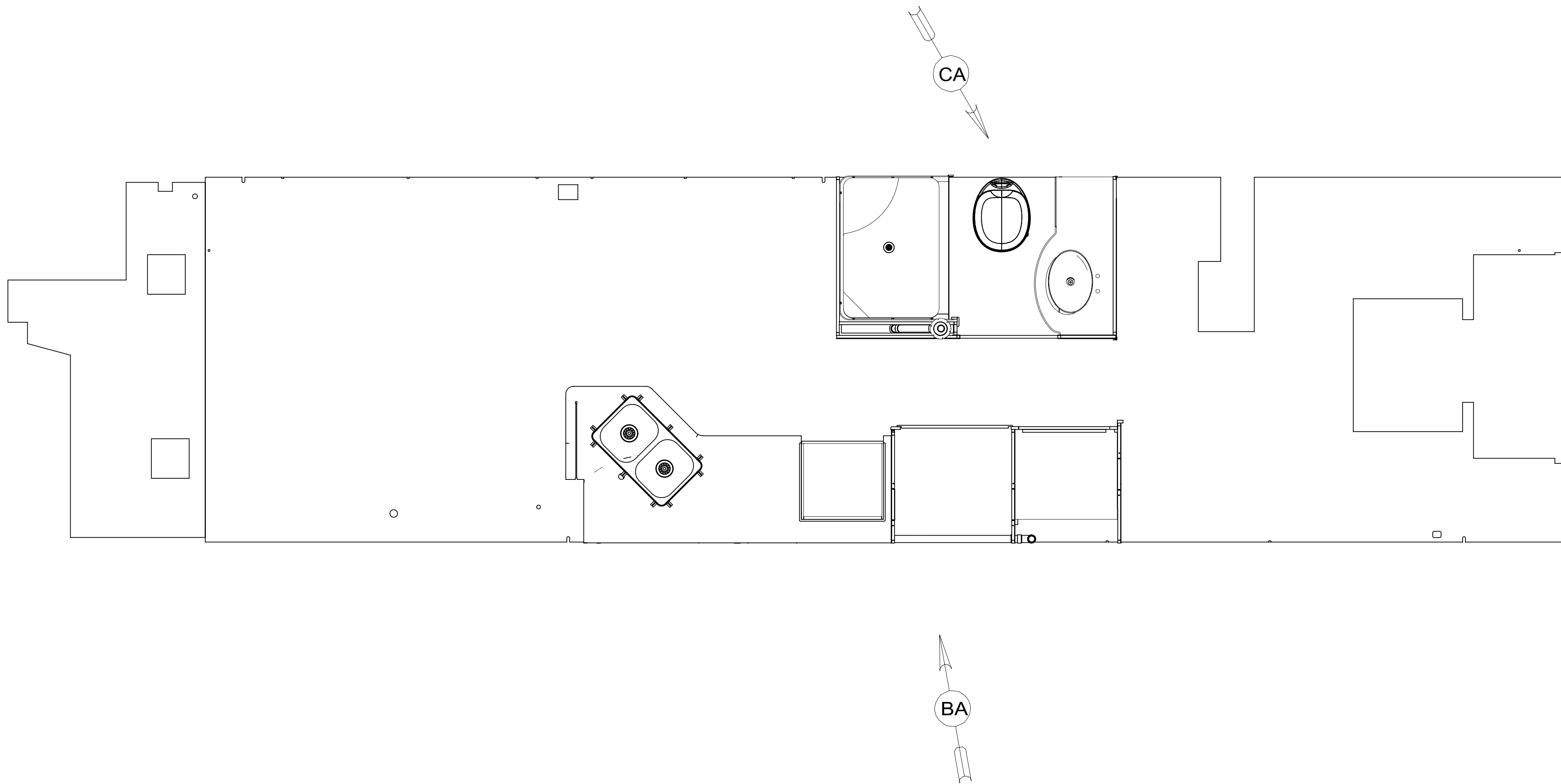


REV	ZONE	REVISION RECORD	DATE	DFTR-ORIG
A	---	INITIAL RELEASE	09/30/15	3650
B	---	ROTATE TRAP SHT2	10-8-15	1600-3508



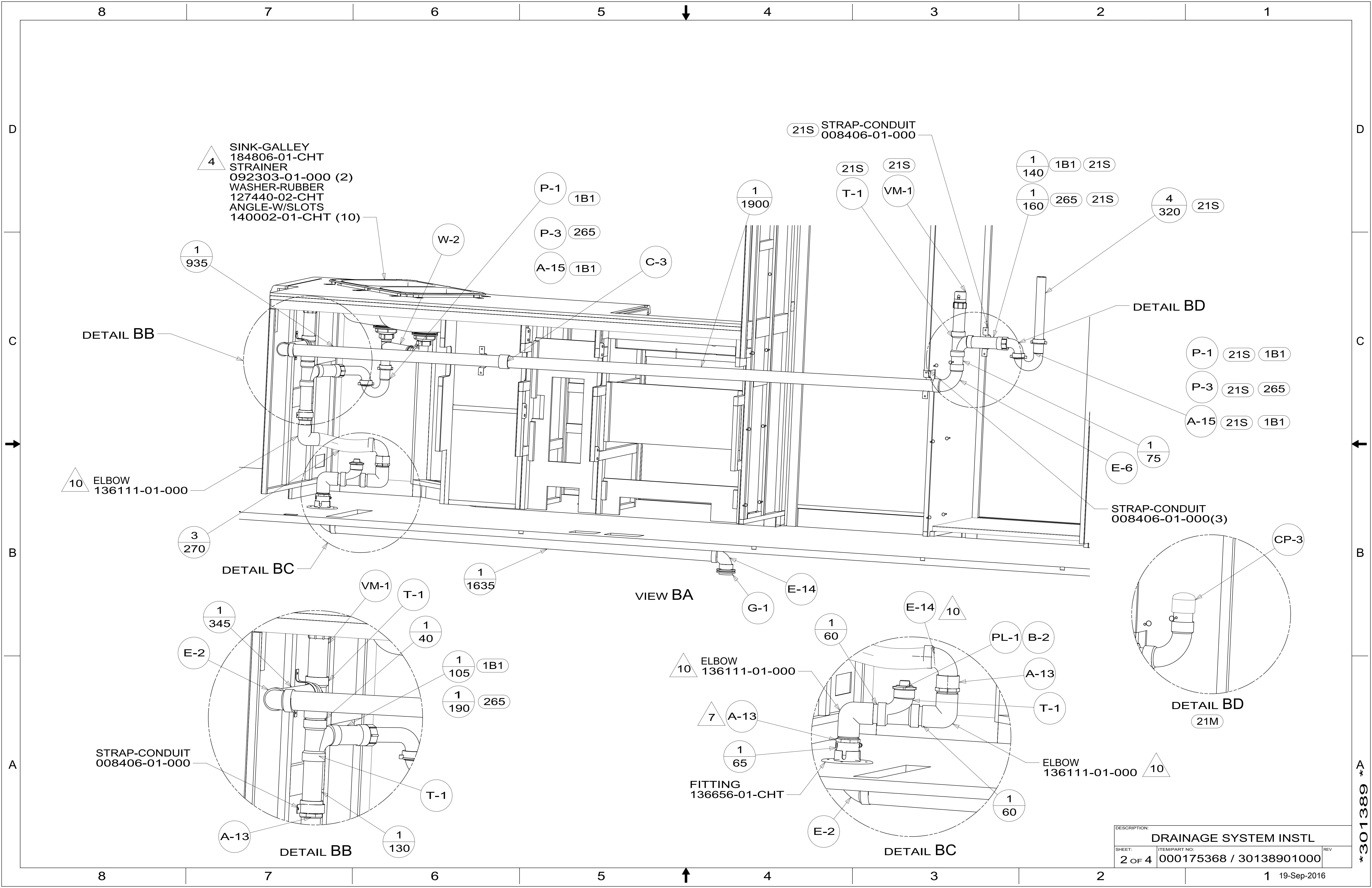
12. REQUIRES 5 GALLONS RV ANTIFREEZE 182955-01-000 PER TOLIET. FOLLOW TECMA TOLIET WINTERIZATION PROCEDURE.
11. GLUE FITTING AFTER CABINET IS INSTALLED.
10. APPLY PRIMER 126427-02-000 AND CEMENT 126427-01-000 BETWEEN ELBOW AND FLEX PIPE.
9. SEE DRAWING 061607 FOR INSTALLATION OF GROMMETS.
8. SECURE DRAINAGE PIPES TO CABINET USING WIRE TIE 108046-02-000, AND SCREW 000G67-10-12U AT INTERVALS OF NOT OF NOT MORE THAN 4 FEET APART.
7. SECURE VENT PIPE TO GROMMET WITH CLAMP 062401-02-000.
6. VENT PIPE MUST PROJECT 51 MIN AND 64 MAX ABOVE ROOF FOR PROPER FIT AND FUNCTION. ADD S-1 (116666-01-CHT SEAL-VENT PIPE) AROUND PIPE ON ROOF BEFORE VENT CAP IS INSTALLED.
5. SEAL AROUND SHOWER WITH SILICONE.
4. USE SMOOTH PLUMBERS PUTTY 167459-01-000 TO SEAL STRAINER (0.2 PER STRAINER).
3. ALL PIPE AND FITTINGS TO BE ASSEMBLED WITH SOLVENT 004020-01-000 (USA), 004020-02-000 (CAN)
2. SLOPE OF TRAP ARM MUST BE 6 PER 305 mm.
1. SLOPE OF HORIZONTAL PIPING TO BE MINIMUM OF 3 PER 305 mm.

- 21S WASHER/DRYER STACKED
- 1B1 CODES/STANDARDS USA
- 265 CODES/STDS-CSA,CMVSS
- 21M WASHER/DRYER PREP

WINNEBAGO
COPYRIGHT 2016 WINNEBAGO INDUSTRIES, INC.

DSNR:	ALL DIMENSIONS ARE IN MILLIMETERS	
DFTR:		
UNSPECIFIED TOLERANCES:	MATERIAL:	
WHOLE DIM (X) :	3	
ONE-PLACE (X.X) :	1.5	
TWO-PLACE (X.XX) :	0.50	
ANGLE :	1°	
REFER TO ES0018 FOR FASTENER TIGHTENING GUIDELINES	WEIGHT: (LBS)	FIRST USED: (REF)
DESCRIPTION:		
DRAINAGE SYSTEM INSTL		
SHEET: 1 OF 4	ITEM/PART NO: 000175368 / 30138901000	REV:

X-X
FOR DRAINAGE CALLOUTS SEE DWG NO. 116229-01-000



4 SINK-GALLEY
184806-01-CHT
STRAINER
092303-01-000 (2)
WASHER-RUBBER
127440-02-CHT
ANGLE-W/SLOTS
140002-01-CHT (10)

21S STRAP-CONDUIT
008406-01-000

DETAIL BB

DETAIL BD

10 ELBOW
136111-01-000

STRAP-CONDUIT
008406-01-000(3)

DETAIL BC

VIEW BA

DETAIL BD

STRAP-CONDUIT
008406-01-000

10 ELBOW
136111-01-000

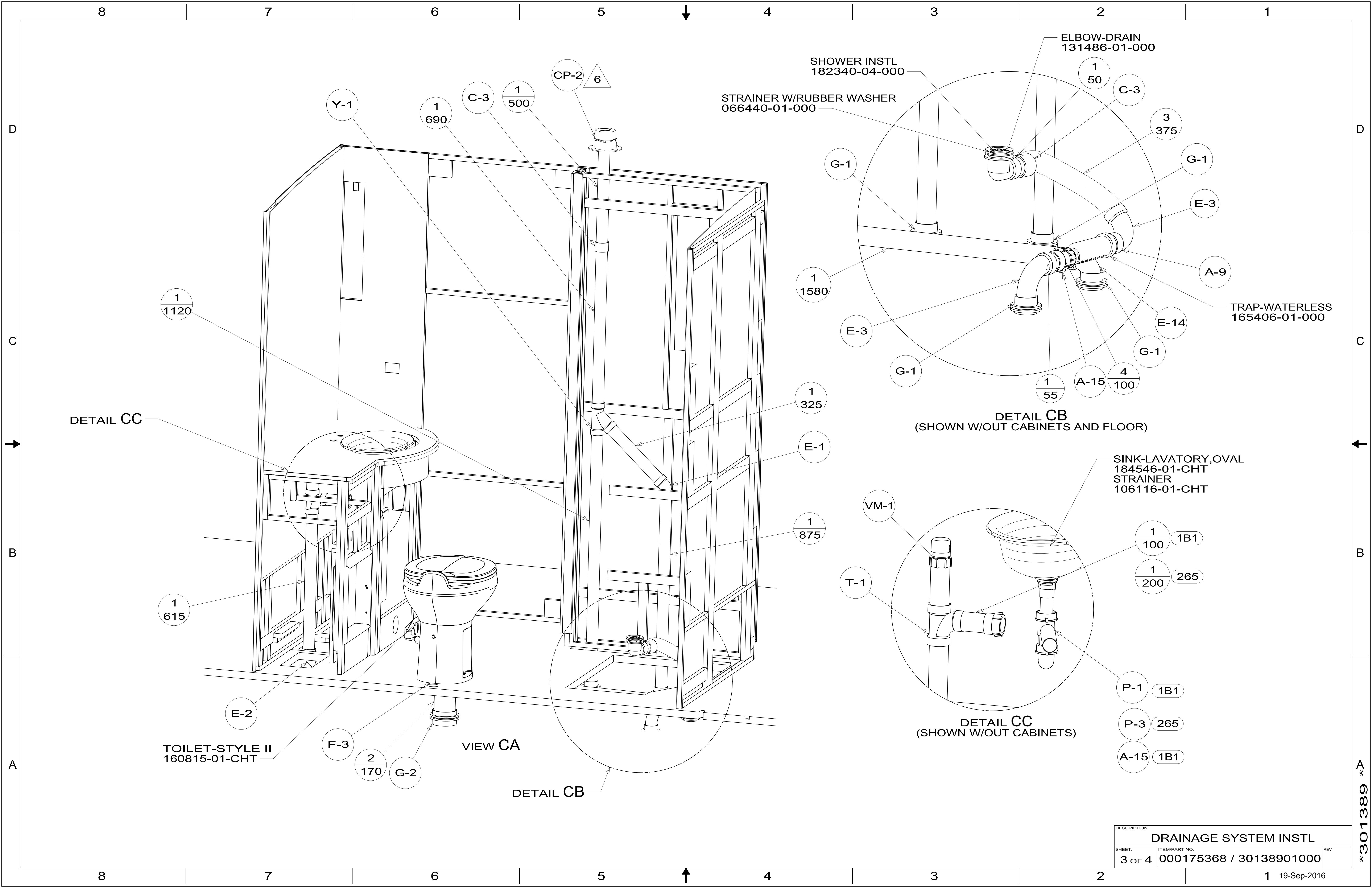
ELBOW
136111-01-000 10

DETAIL BB

DETAIL BC

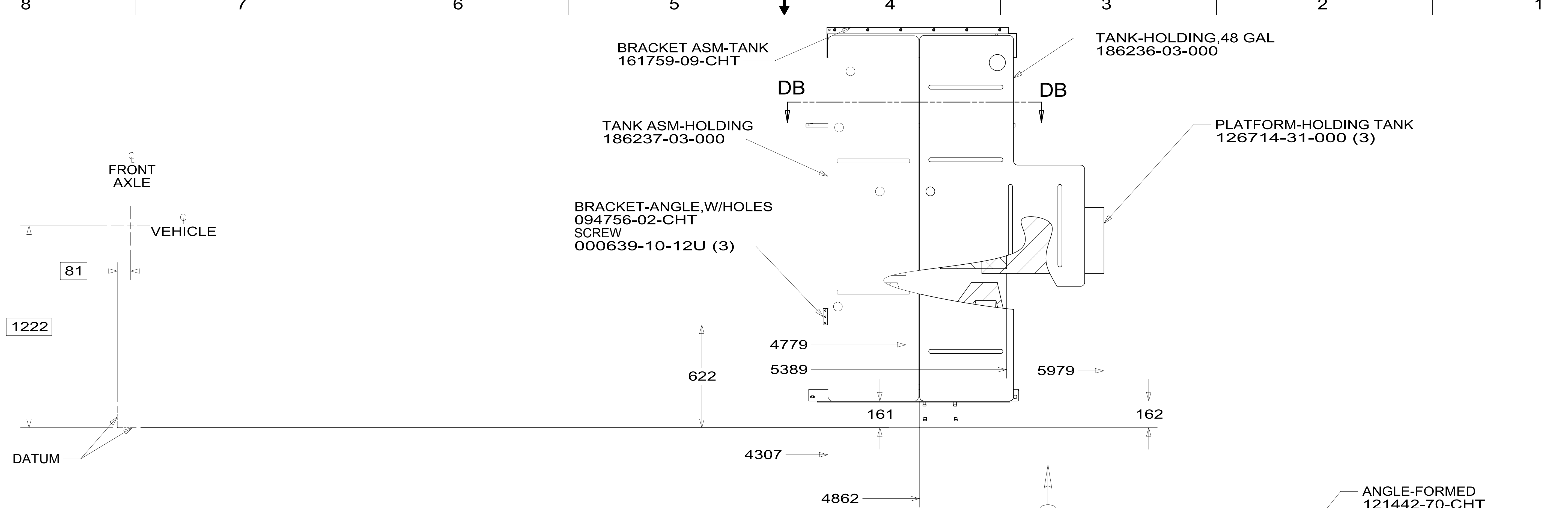
DESCRIPTION: DRAINAGE SYSTEM INSTL		
SHEET: 2 OF 4	ITEM/PART NO: 000175368 / 30138901000	REV

301389

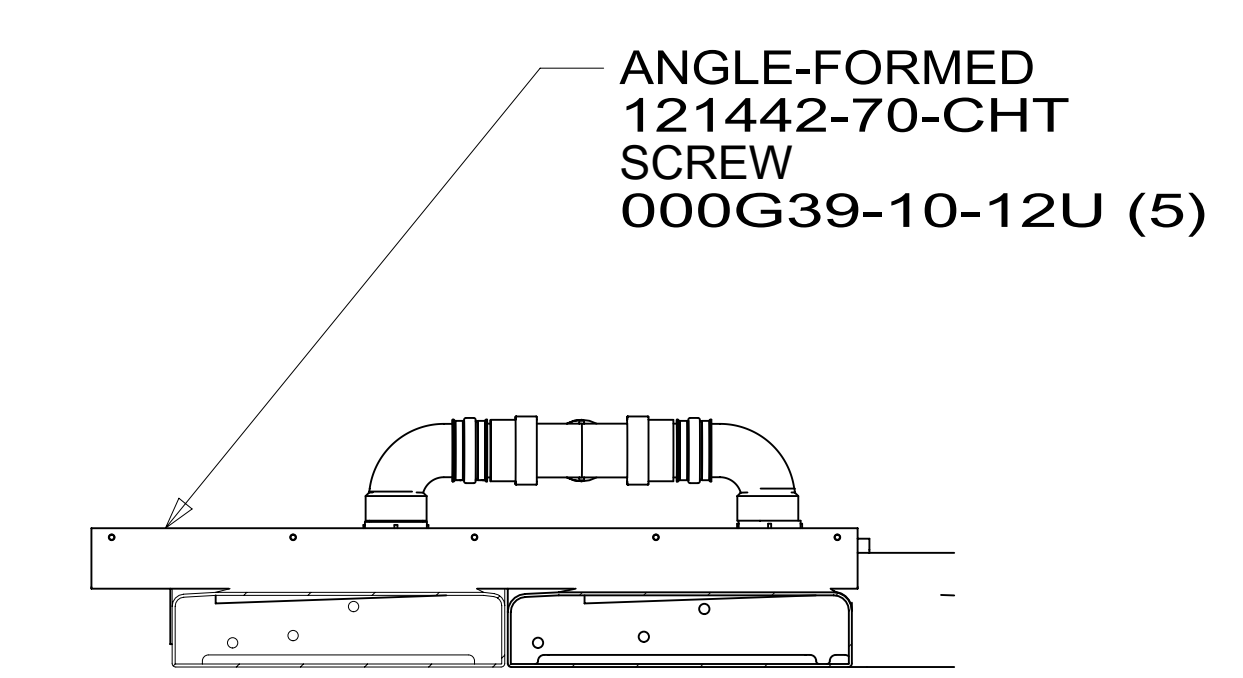


DESCRIPTION:		
DRAINAGE SYSTEM INSTL		
SHEET:	ITEM/PART NO.:	REV
3 OF 4	000175368 / 30138901000	

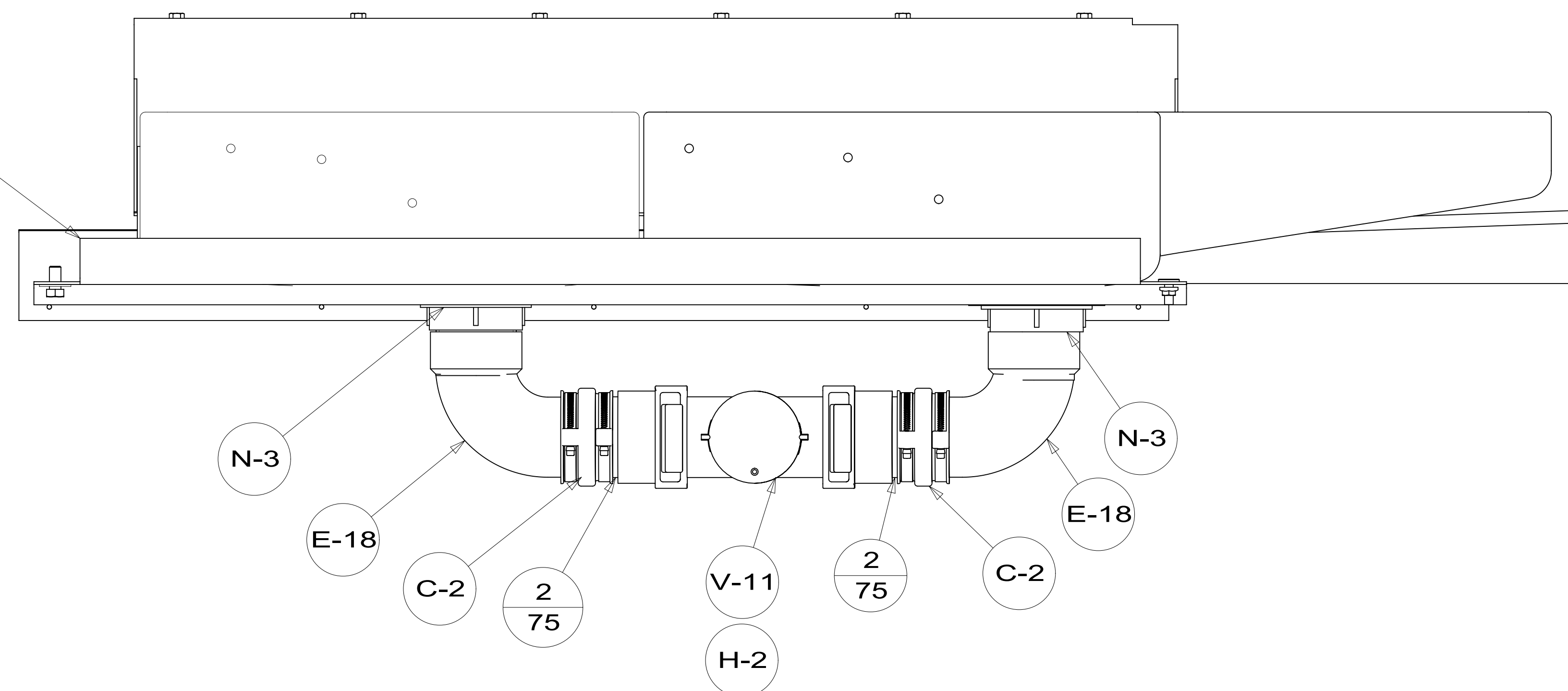
301389



TOP VIEW SHOWING TANKS AND DRAINS



- BRACKET ASM-TANK,HOLDING
162818-03-CHT
- BOLT
000C12-08-16U (2)
- WASHER-LOCK
000E11-08-00U (2)
- WASHER
000E13-22-00U (2)
- NUT
000D39-06-00U (2)



DESCRIPTION: DRAINAGE SYSTEM INSTL		
SHEET: 4 OF 4	ITEM/PART NO: 000175368 / 30138901000	REV
19-Sep-2016		

301389