

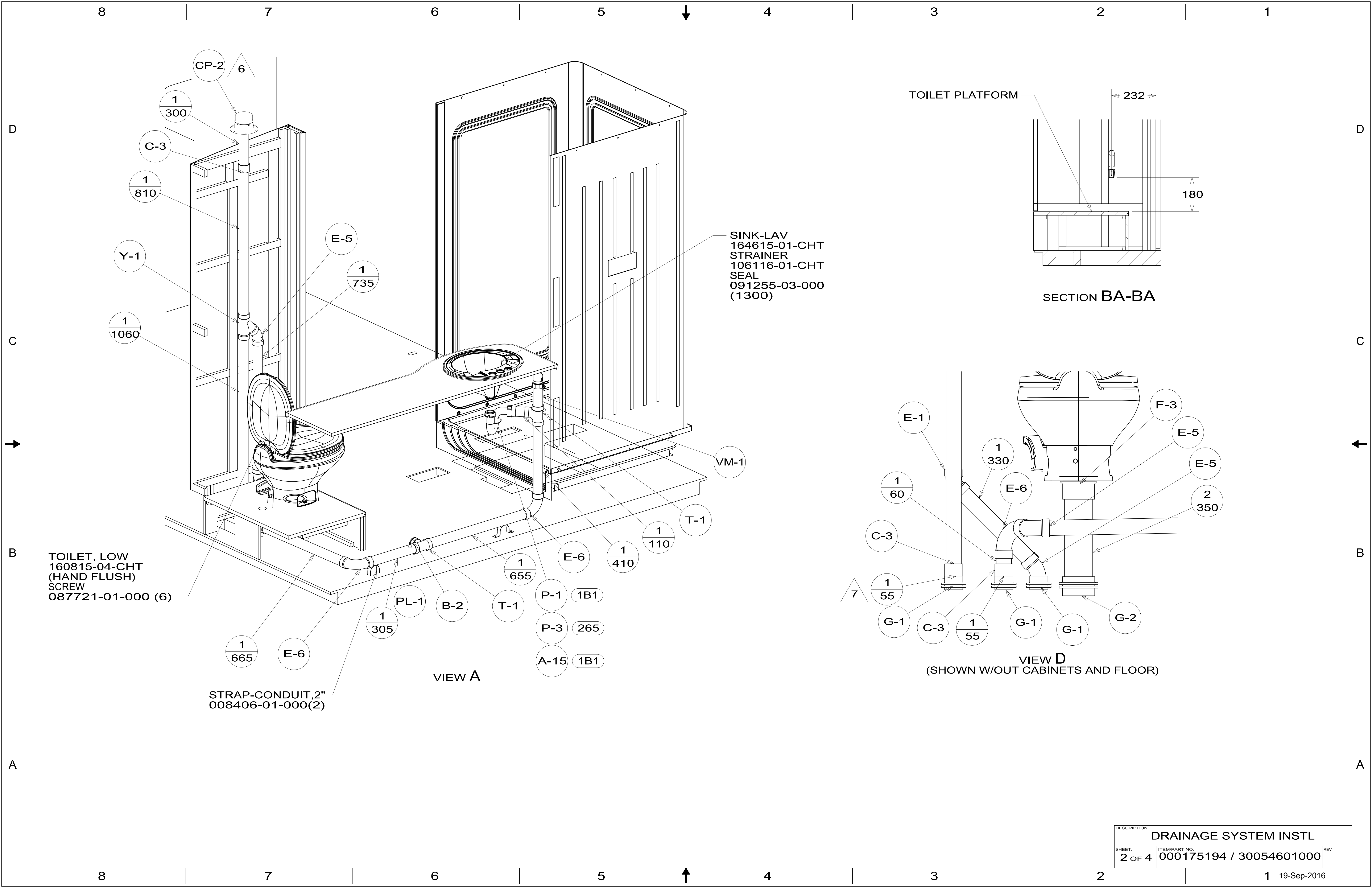
10. USE TEFLON TAPE 010405-01-000 FOR PUMP TO A-12 CONNECTION.
 9. SEE DRAWING 061607 FOR INSTALLATION OF GROMMETS.
 8. SECURE DRAINAGE PIPES TO CABINET USING WIRE TIE 108046-02-000, AND SCREW 000G67-10-12U AT INTERVALS OF NOT OF NOT MORE THAN 4 FEET APART.
 7. SECURE VENT PIPE TO TANK WITH CLAMP 062401-02-000.
 6. VENT PIPE MUST PROJECT 51 MIN AND 64 MAX ABOVE ROOF FOR PROPER FIT AND FUNCTION. ADD S-1 (116666-01-CHT SEAL-VENT PIPE) AROUND PIPE ON ROOF BEFORE VENT CAP IS INSTALLED.
 5. SEAL AROUND SHOWER WITH SILICONE.
 4. USE SMOOTH PLUMBERS PUTTY 167459-01-000 TO SEAL STRAINER (0.2 PER STRAINER).
 3. ALL PIPE AND FITTINGS TO BE ASSEMBLED WITH SOLVENT 004020-01-000 (USA), 004020-02-000 (CAN)
 2. SLOPE OF TRAP ARM MUST BE 6 PER 305 mm.
 1. SLOPE OF HORIZONTAL PIPING TO BE MINIMUM OF 3 PER 305 mm.

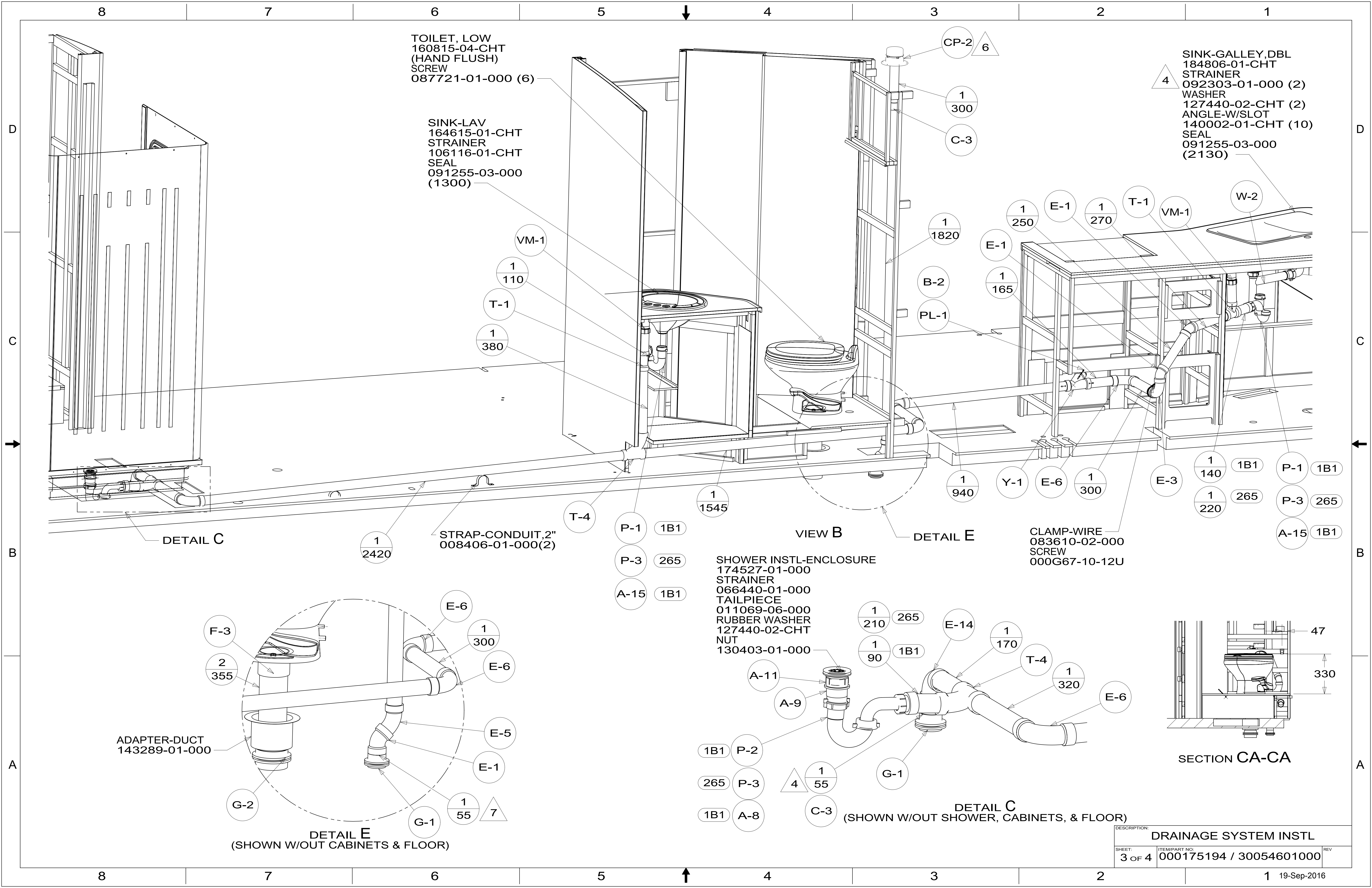
NOTES:

265 CODES/STDS-CSA/CMVSS
 1B1 CODES/STANDARDS-USA

WINNEBAGO [®]		COPYRIGHT 2016 WINNEBAGO INDUSTRIES, INC.	
DSNR:		ALL DIMENSIONS ARE IN MILLIMETERS	
DIFFR:			
UNSPECIFIED TOLERANCES:		MATERIAL:	
WHOLE DIM (X)	3		
ONE-PLACE (X.X)	1.5		
TWO-PLACE (X.XX)	0.50		
ANGLE	1°		
REFER TO ES0018 FOR FASTENER TIGHTENING GUIDELINES	WEIGHT: (LBS)	FIRST USED: (REF)	
DESCRIPTION:			
DRAINAGE SYSTEM INSTL			
SHEET:	ITEM/PART NO.:	REV	
1 OF 4	000175194 / 30054601000		

X-X
 FOR DRAINAGE CALLOUTS SEE DWG NO. 116229-01-000





TOILET, LOW
160815-04-CHT
(HAND FLUSH)
SCREW
087721-01-000 (6)

SINK-LAV
164615-01-CHT
STRAINER
106116-01-CHT
SEAL
091255-03-000
(1300)

SINK-GALLEY, DBL
184806-01-CHT
STRAINER
092303-01-000 (2)
WASHER
127440-02-CHT (2)
ANGLE-W/SLOT
140002-01-CHT (10)
SEAL
091255-03-000
(2130)

SHOWER INSTL-ENCLOSURE
174527-01-000
STRAINER
066440-01-000
TAILPIECE
011069-06-000
RUBBER WASHER
127440-02-CHT
NUT
130403-01-000

ADAPTER-DUCT
143289-01-000

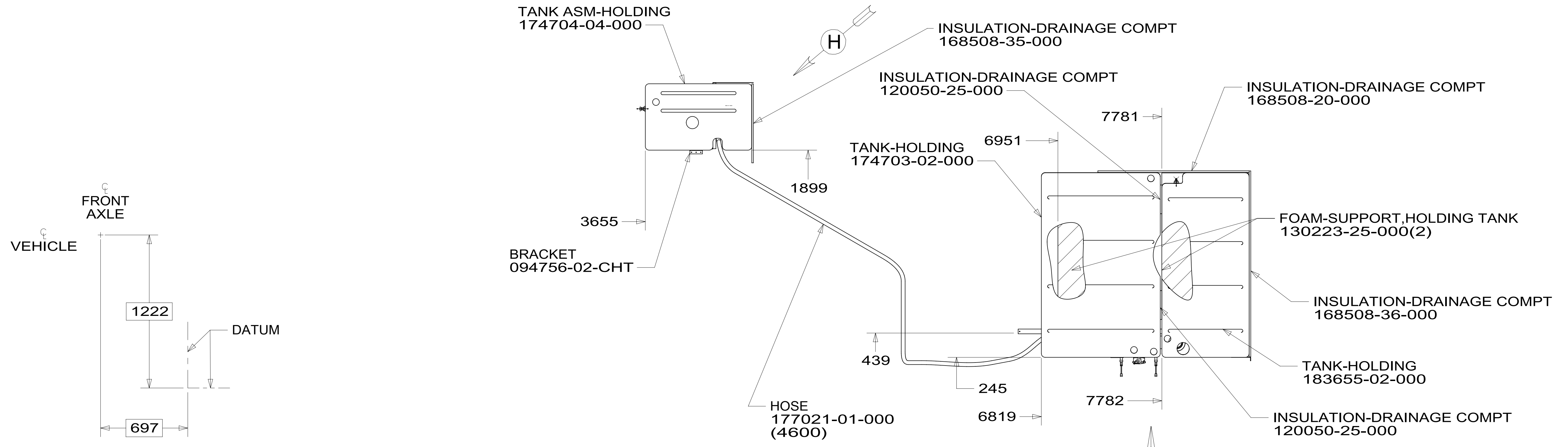
CLAMP-WIRE
083610-02-000
SCREW
000G67-10-12U

DETAIL E
(SHOWN W/OUT CABINETS & FLOOR)

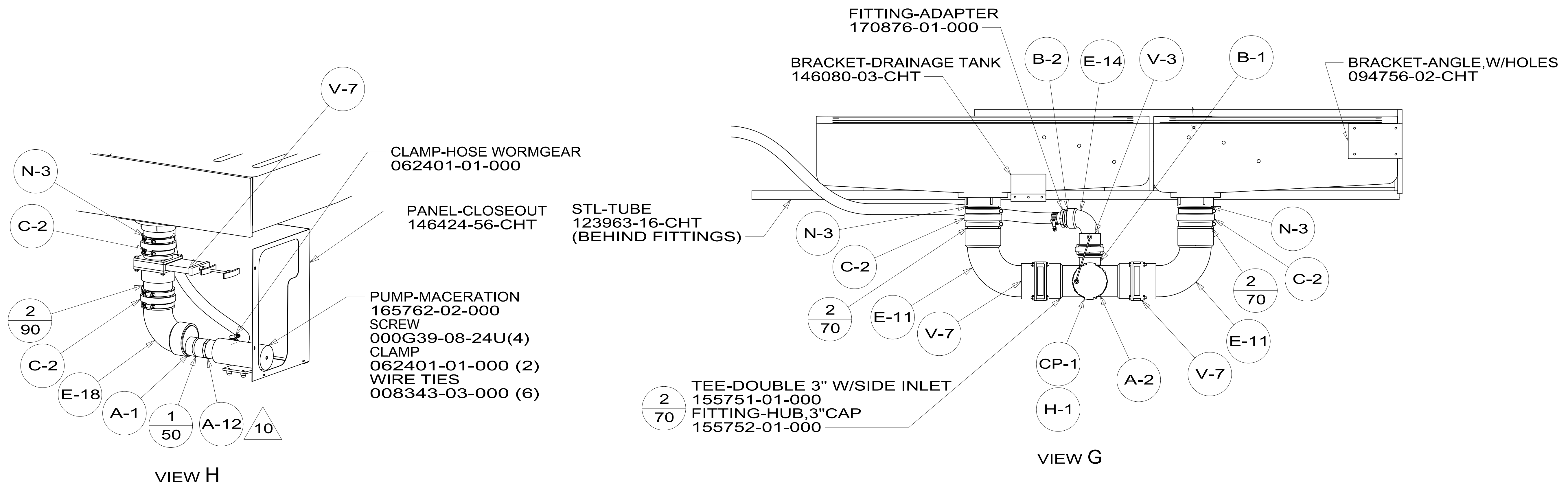
DETAIL C
(SHOWN W/OUT SHOWER, CABINETS, & FLOOR)

SECTION CA-CA

DESCRIPTION: DRAINAGE SYSTEM INSTL		
SHEET: 3 OF 4	ITEM/PART NO: 000175194 / 30054601000	REV



TOP VIEW SHOWING TANKS AND DRAINS



DESCRIPTION: DRAINAGE SYSTEM INSTL		
SHEET: 4 OF 4	ITEM/PART NO: 000175194 / 30054601000	REV
19-Sep-2016		