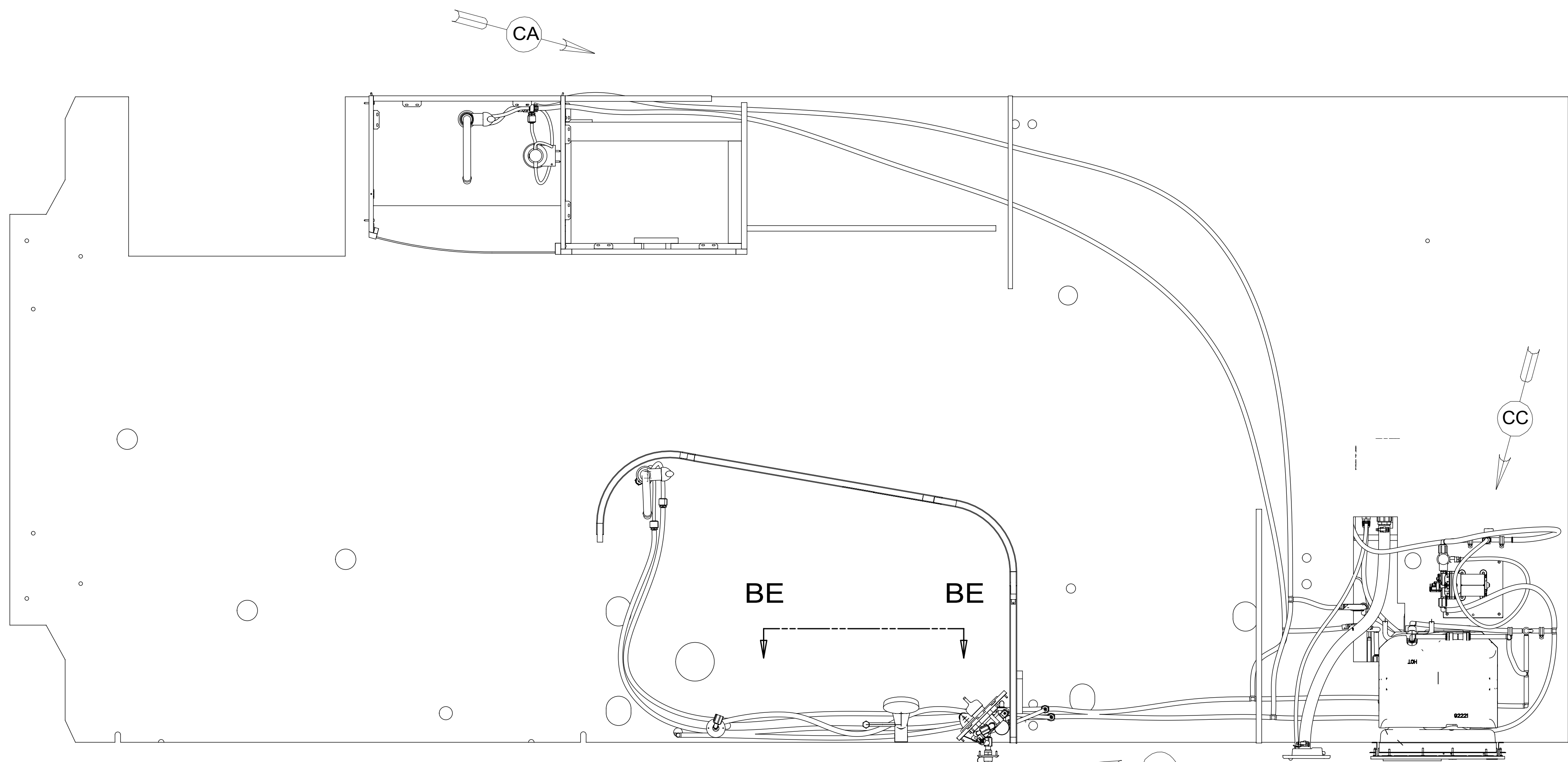


REV	ZONE	REVISION RECORD	DATE	DFTR-ORIG
A	---	INITIAL RELEASE	10/02/15	3650-3660
B	SHT2	ADDED PANEL-SHOWER AND CHNG BRKT	11/09/15	3650-6437
C	S1-3	ADD DELTA 11 NOTE, ADJUST TOILET LINE	11/18/15	3660
D	---	CHG LENGTH SHT3	9-6-16	1600-5472
E	ALL	CHANGE FITTINGS, VARIOUS LENGTH CHANGES	09/21/16	3650
F	SHT2	ADD SECTION BE-BE TO LOCATE SHOWER HEAD	11/29/16	4129



FRONT OF COACH

- NOTES:
1. PLASTIC FITTINGS TO BE SEALED WITH SEALANT 084456-01-000.
  2. TUBING TO BE INSTALLED WITH SUFFICIENT SLOPE TO PROVIDE DRAINAGE TO NEAREST VALVE.
  3. ALL TUBING TO BE SECURED AT 1200 INTERVALS MAXIMUM WITH CLAMP 010495-01-000 AND SCREW 000G67-10-12u OR EQUIVALENT.
  4. ADD TEFLON TAPE 010405-01-000.
  5. ADD PIPE WRAP (LADDER SCRAP 110157-02-000) INSULATION.
  6. INSTALL CONNECTOR WITH TAPERED END AWAY FROM FAUCET.
  7. LAVATORY FAUCET SPOUT TO BE TURNED 180 DEGREES SO THE ON/OFF HANDLE IS FACING TOWARD THE SHOWER.
  8. INSTALL BETWEEN MOUNTING PLATE AND RETAINING NUTS.
  9. ALL CRIMP FITTINGS TO PEX TUBING REQUIRE 5/8" CLAMP 140171-04-000.
  10. INSTALL BYPASS PLUG FOR SYSTEM TESTING AND SHIPPING.
  11. GALLEY FAUCET TO BE INSTALLED SO THE ON/OFF HANDLE CLEARS WINDOW SHADE.

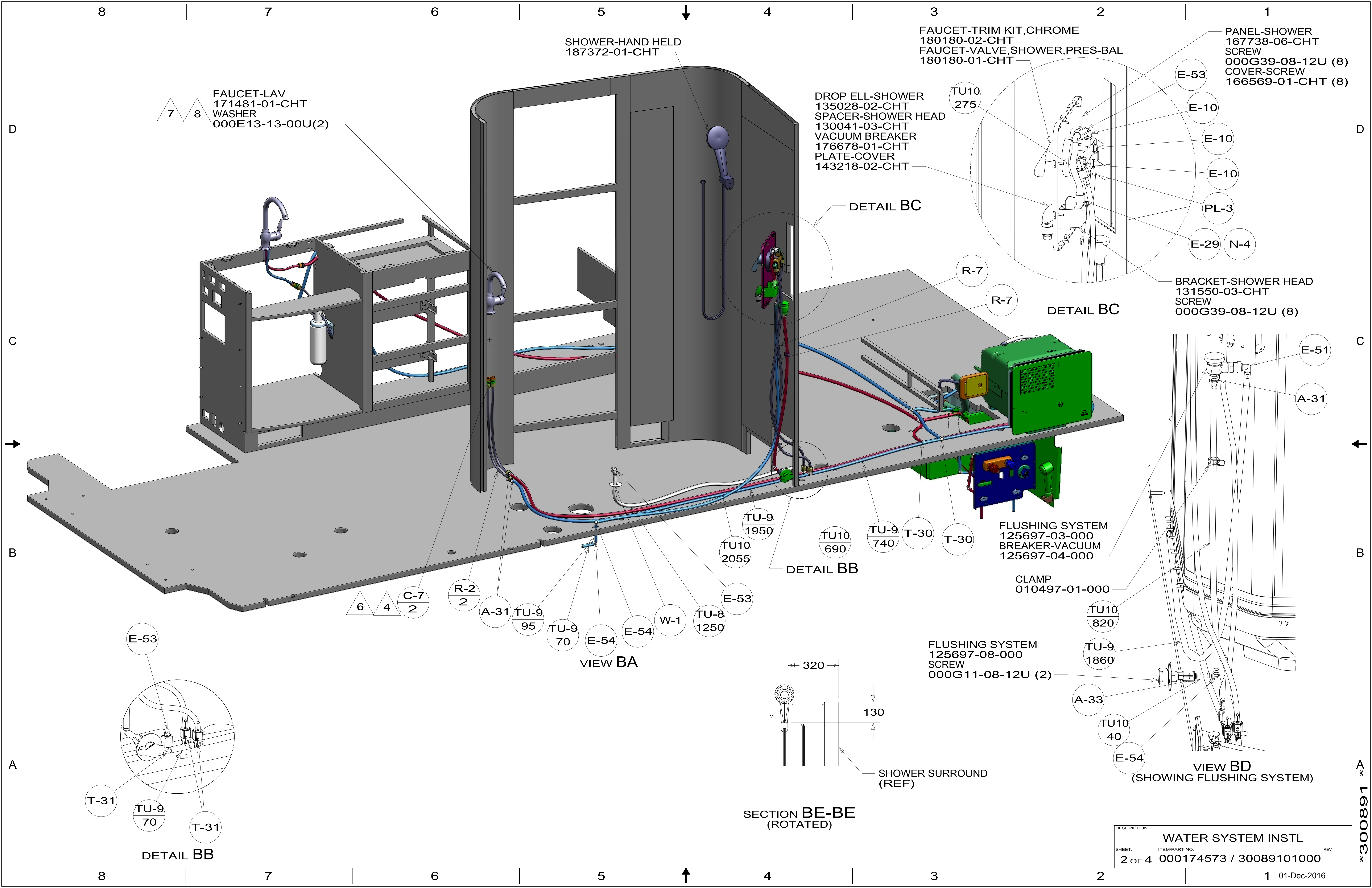
- 53B WTR HTR-6GAL ELECTRIC/LP GAS
- 1B1 CODES/STANDARDS USA
- 265 CODES/STANDARDS-CSA/CMVSS
- 29B WATER PURIFIER

X-X  
FOR WATER CALLOUTS SEE DWG NO. 000209446 / 303369-01-000

**WINNEBAGO**  
COPYRIGHT 2016 WINNEBAGO INDUSTRIES, INC.

DSNR:	ALL DIMENSIONS ARE IN MILLIMETERS	
DFTR:	MATERIAL:	
UNSPECIFIED TOLERANCES:	WHOLE DIM (X) :	3
	ONE-PLACE (X.X) :	1.5
	TWO-PLACE (X.XX) :	0.50
	ANGLE :	1°
REFER TO ES0018 FOR FASTENER TIGHTENING GUIDELINES	WEIGHT: (LBS)	FIRST USED: (REF)
		16 524V
DESCRIPTION: <b>WATER SYSTEM INSTL</b>		
SHEET: 1 OF 4	ITEM/PART NO: 000174573 / 30089101000	REV:
REF:		1 01-Dec-2016

\*300891\*



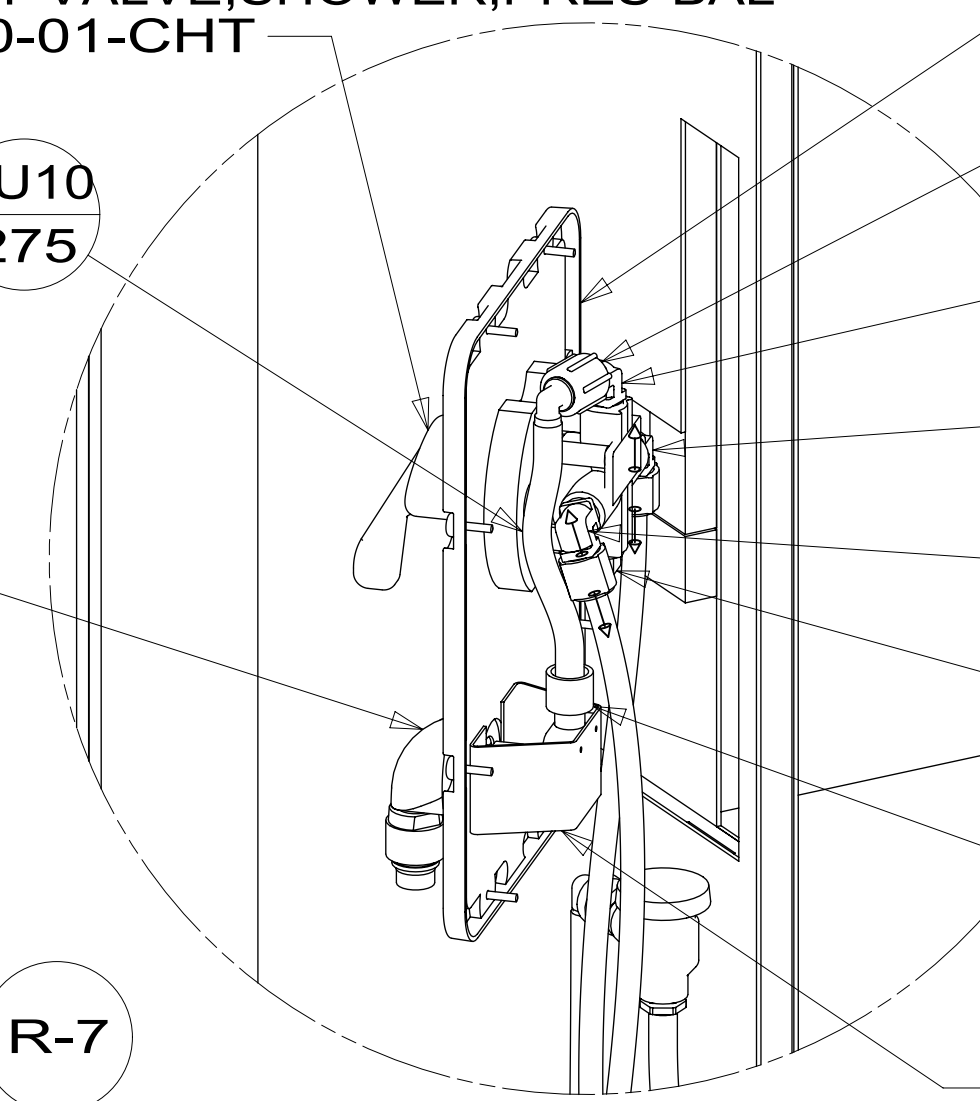
7 8  
 FAUCET-LAV  
 171481-01-CHT  
 WASHER  
 000E13-13-00U(2)

SHOWER-HAND HELD  
 187372-01-CHT

3  
 FAUCET-TRIM KIT, CHROME  
 180180-02-CHT  
 FAUCET-VALVE, SHOWER, PRES-BAL  
 180180-01-CHT

1  
 PANEL-SHOWER  
 167738-06-CHT  
 SCREW  
 000G39-08-12U (8)  
 COVER-SCREW  
 166569-01-CHT (8)

DROP ELL-SHOWER  
 135028-02-CHT  
 SPACER-SHOWER HEAD  
 130041-03-CHT  
 VACUUM BREAKER  
 176678-01-CHT  
 PLATE-COVER  
 143218-02-CHT



E-53  
 E-10  
 E-10  
 E-10  
 PL-3  
 E-29 N-4

BRACKET-SHOWER HEAD  
 131550-03-CHT  
 SCREW  
 000G39-08-12U (8)

DETAIL BC

DETAIL BC

R-7

R-7

E-51

A-31

FLUSHING SYSTEM  
 125697-03-000  
 BREAKER-VACUUM  
 125697-04-000

CLAMP  
 010497-01-000

FLUSHING SYSTEM  
 125697-08-000  
 SCREW  
 000G11-08-12U (2)

TU10  
 820

TU-9  
 1860

A-33

TU10  
 40

E-54

VIEW BD  
 (SHOWING FLUSHING SYSTEM)

6 4 C-7  
 2

R-2  
 2

A-31

TU-9  
 95

TU-9  
 70

E-54

E-54

W-1

TU-8  
 1250

E-53

TU-9  
 1950

TU10  
 2055

TU10  
 690

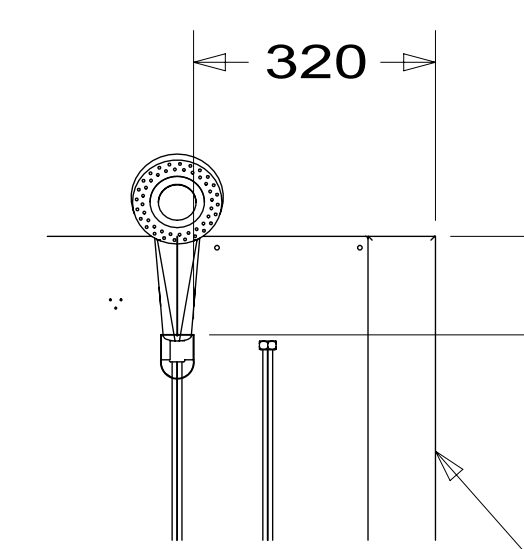
TU-9  
 740

T-30

T-30

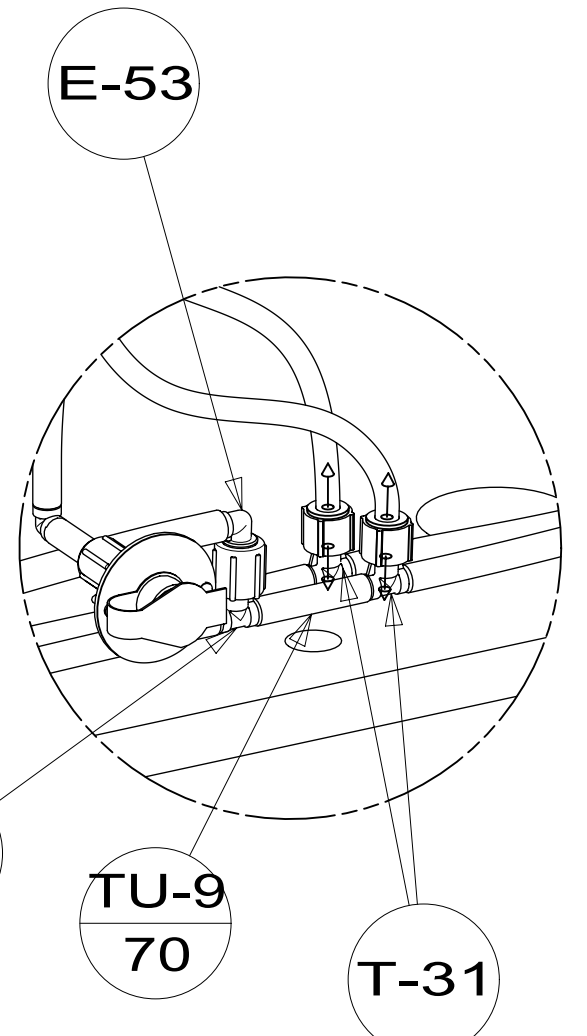
DETAIL BB

VIEW BA



SECTION BE-BE  
 (ROTATED)

SHOWER SURROUND  
 (REF)

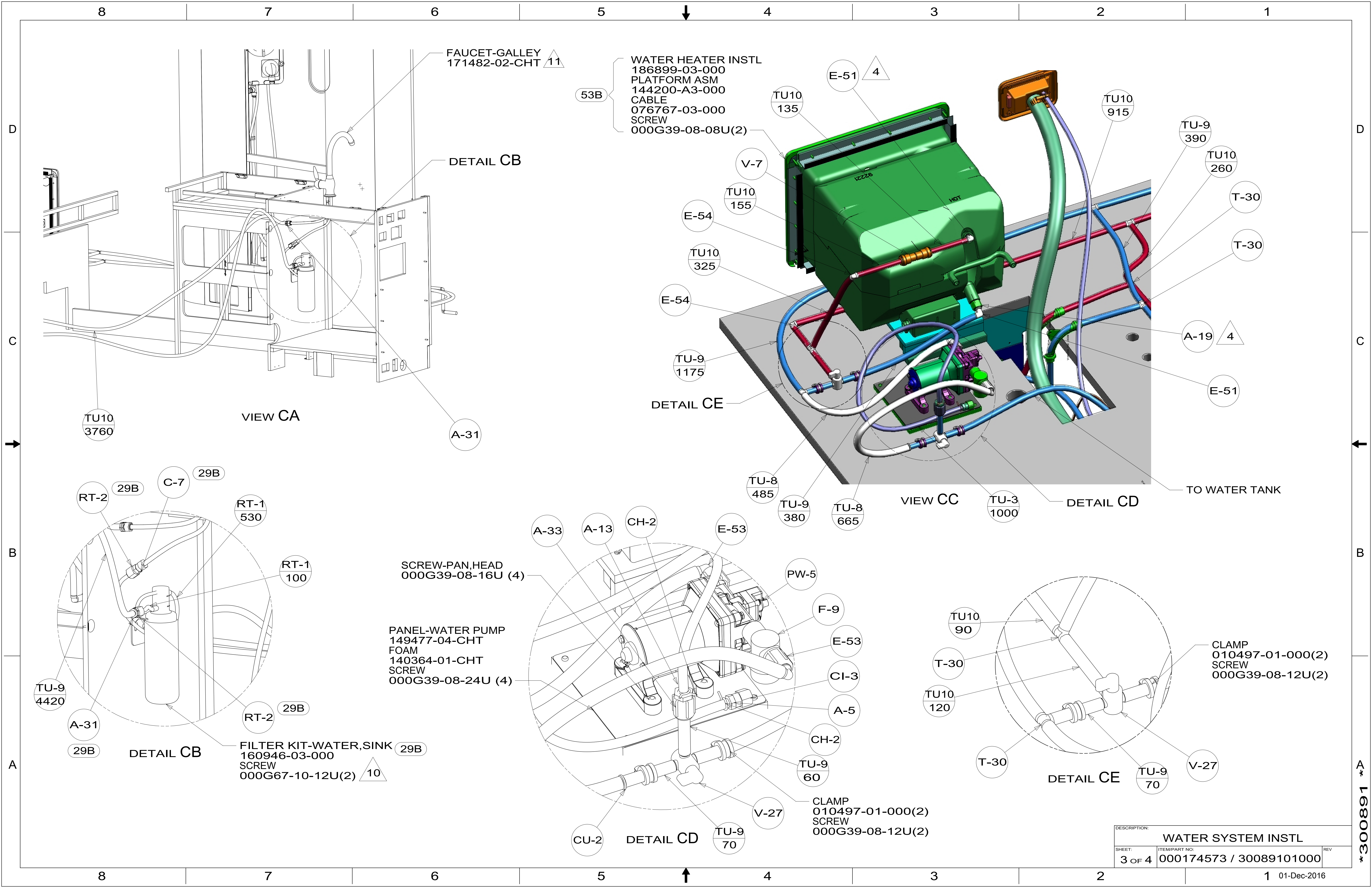


T-31  
 TU-9  
 70  
 T-31

DETAIL BB

DESCRIPTION:		
WATER SYSTEM INSTL		
SHEET:	ITEM/PART NO.:	REV
2 OF 4	000174573 / 30089101000	

\*300891\*



FAUCET-GALLEY  
171482-02-CHT 11

53B  
WATER HEATER INSTL  
186899-03-000  
PLATFORM ASM  
144200-A3-000  
CABLE  
076767-03-000  
SCREW  
000G39-08-08U(2)

DETAIL CB

VIEW CA

DETAIL CE

VIEW CC

DETAIL CD

TO WATER TANK

SCREW-PAN,HEAD  
000G39-08-16U (4)

PANEL-WATER PUMP  
149477-04-CHT  
FOAM  
140364-01-CHT  
SCREW  
000G39-08-24U (4)

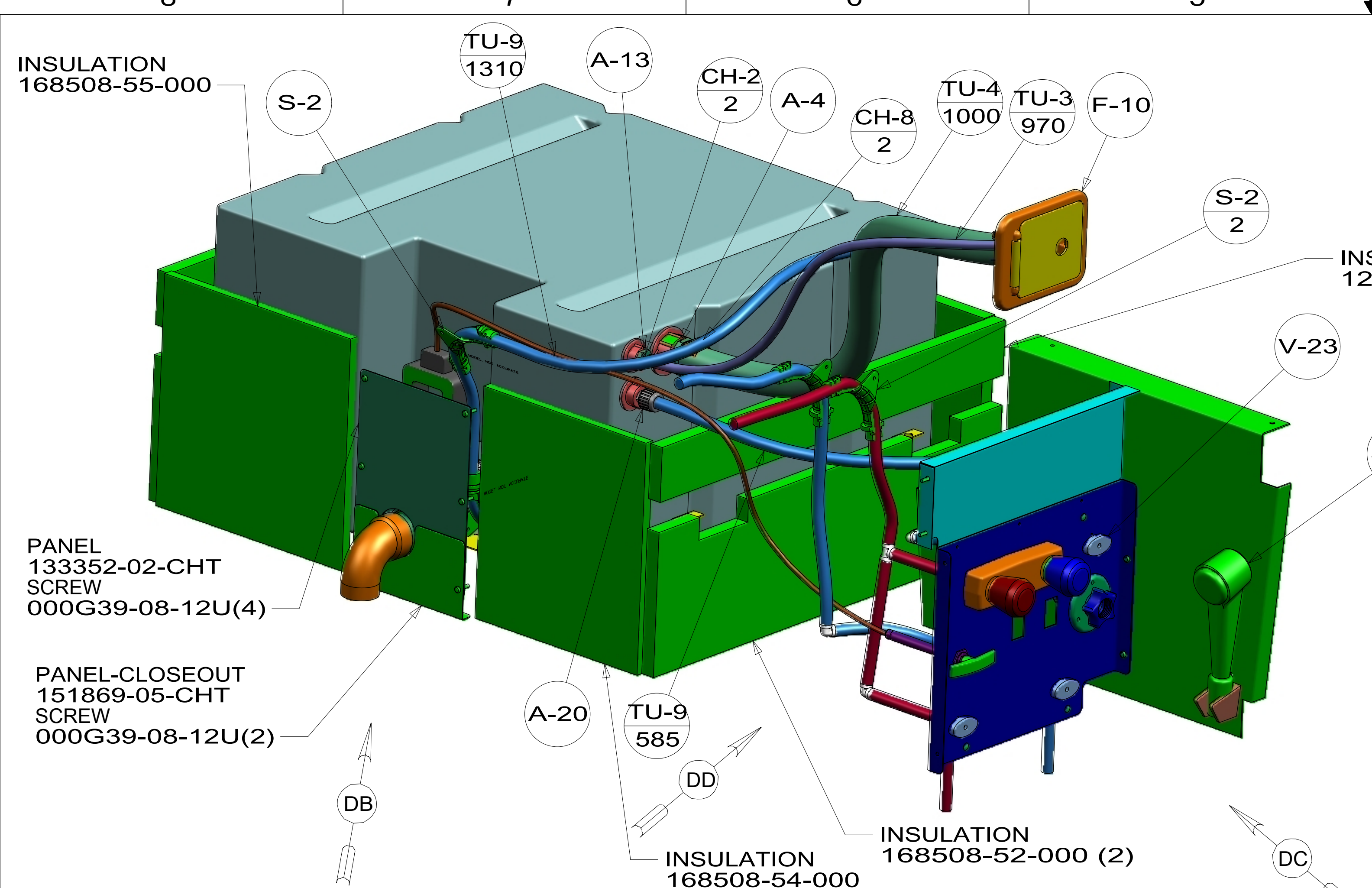
FILTER KIT-WATER,SINK  
160946-03-000  
SCREW  
000G67-10-12U(2) 10

CLAMP  
010497-01-000(2)  
SCREW  
000G39-08-12U(2)

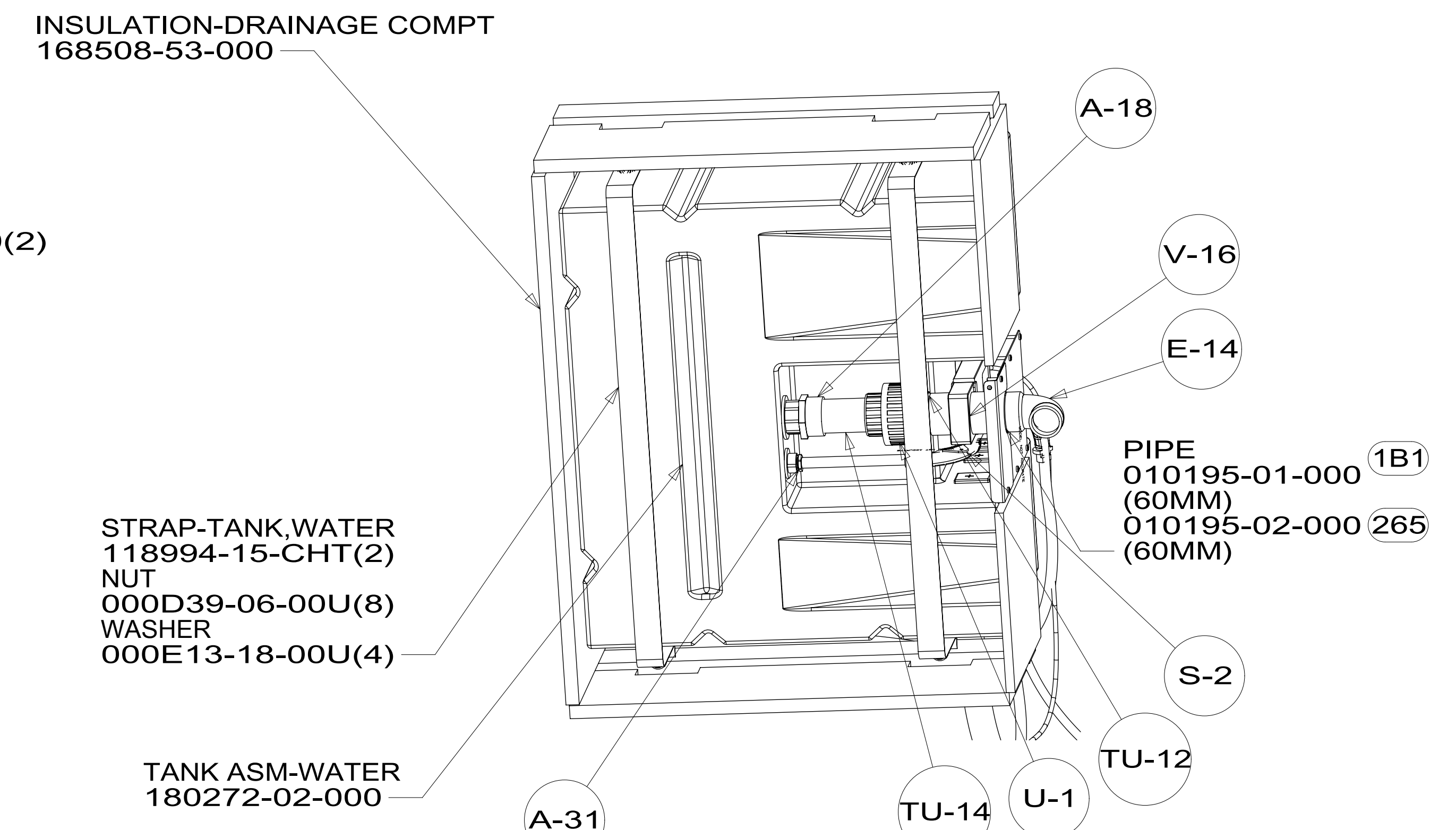
CLAMP  
010497-01-000(2)  
SCREW  
000G39-08-12U(2)

DESCRIPTION: <b>WATER SYSTEM INSTL</b>		
SHEET: 3 OF 4	ITEM/PART NO: 000174573 / 30089101000	REV

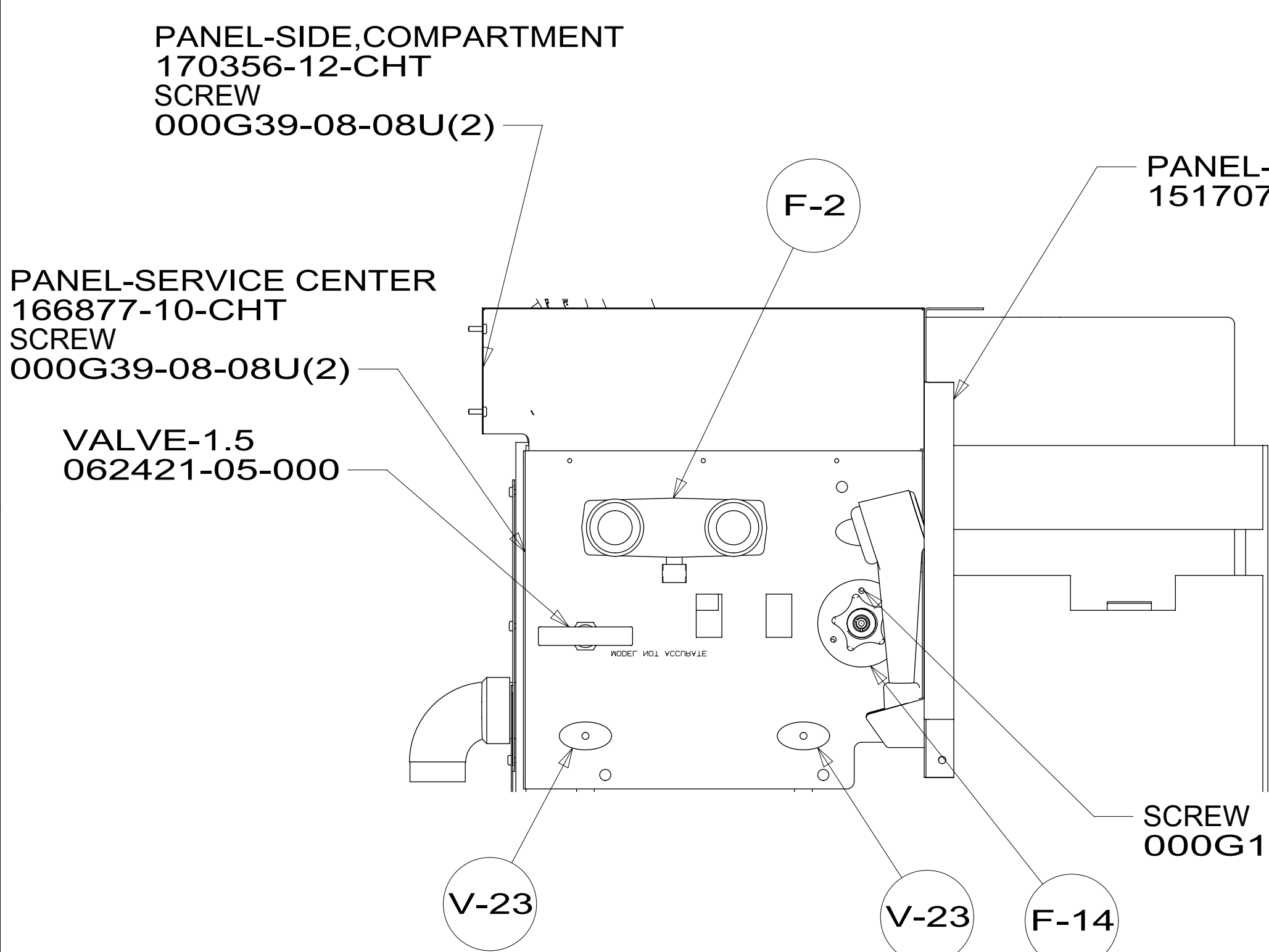
\*300891



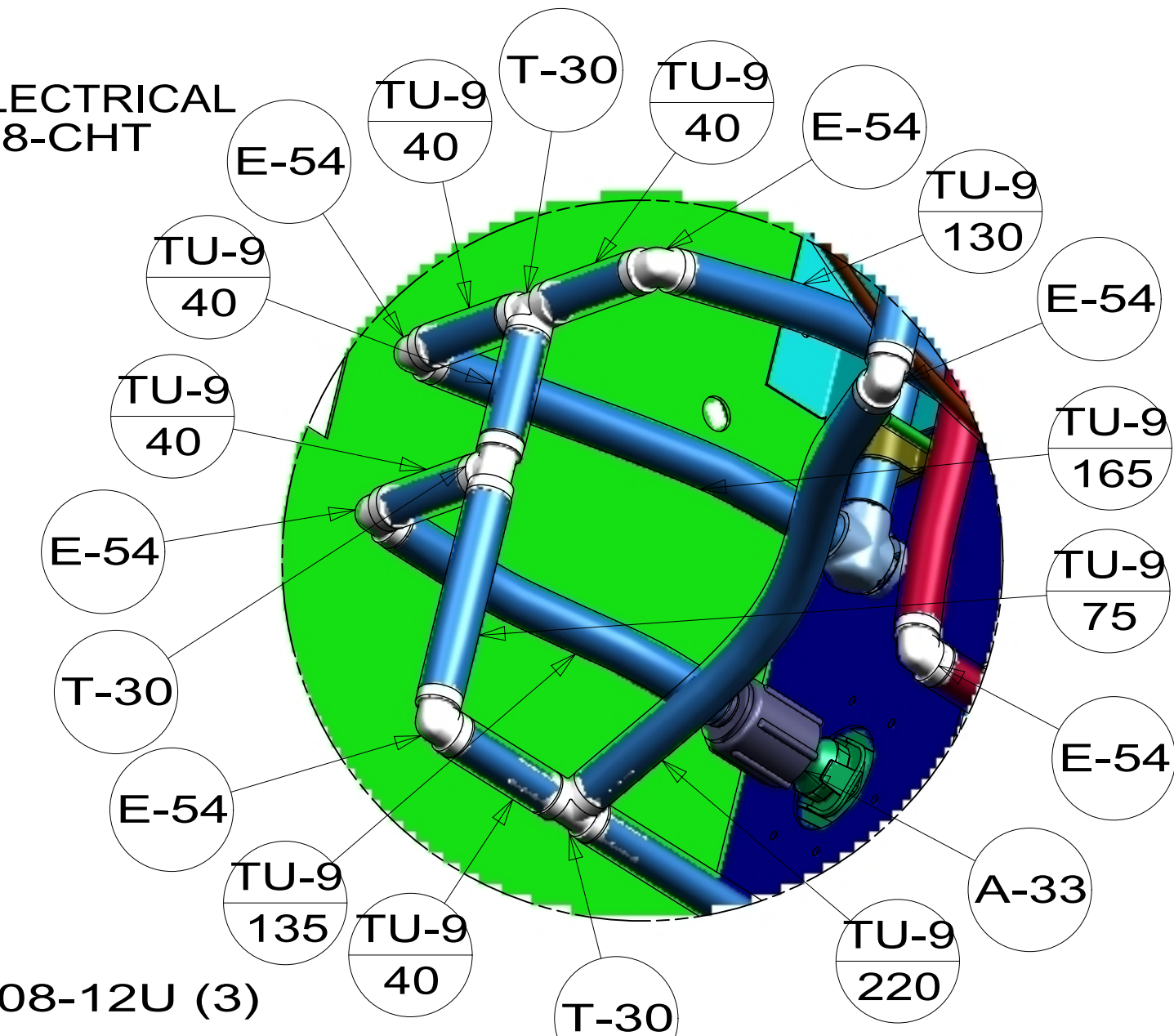
VIEW DA



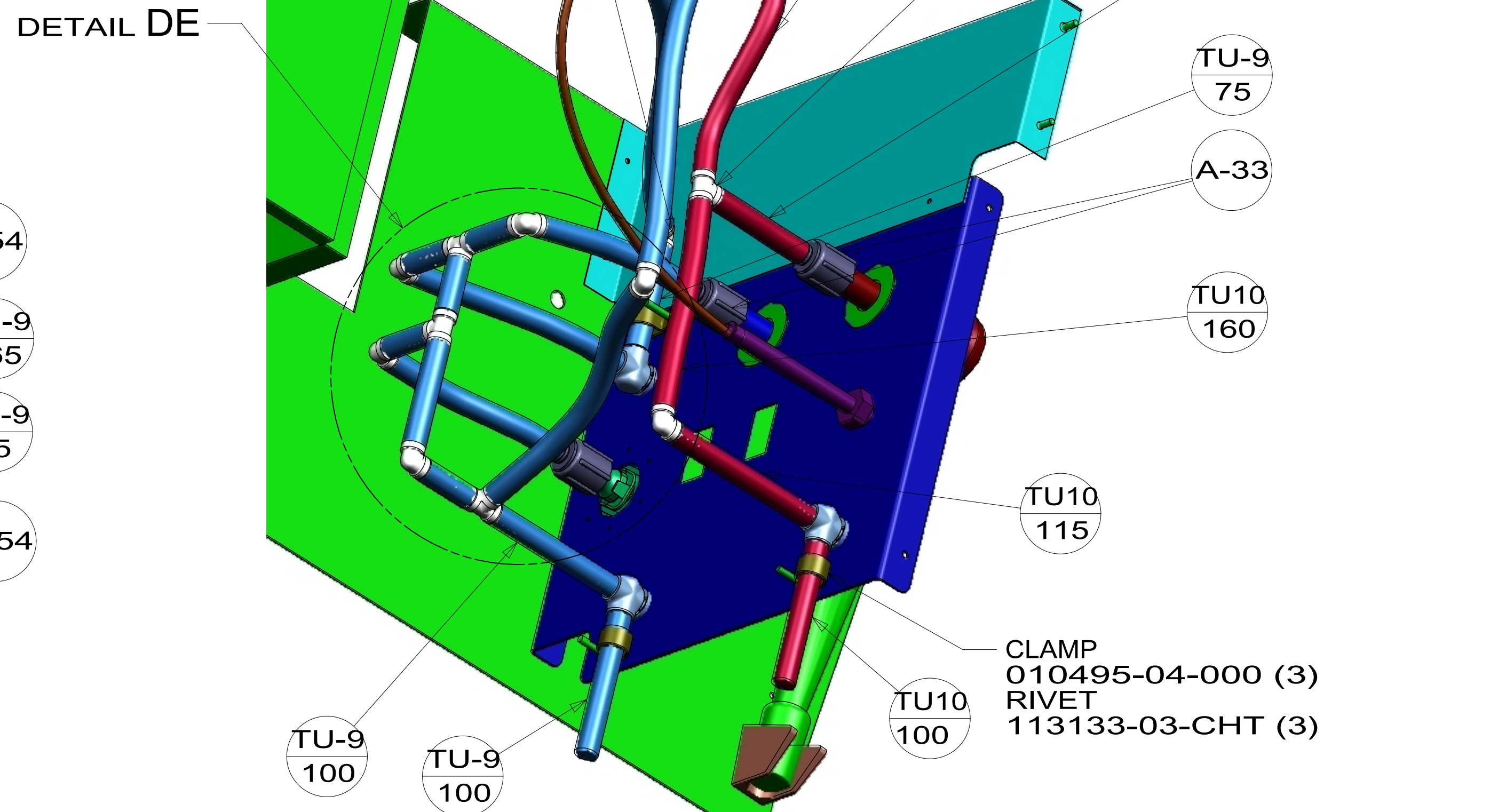
VIEW DB



VIEW DC



DETAIL DE



VIEW DD

DESCRIPTION:		
WATER SYSTEM INSTL		
SHEET:	ITEM/PART NO.:	REV
4 OF 4	000174573 / 30089101000	

\*300891