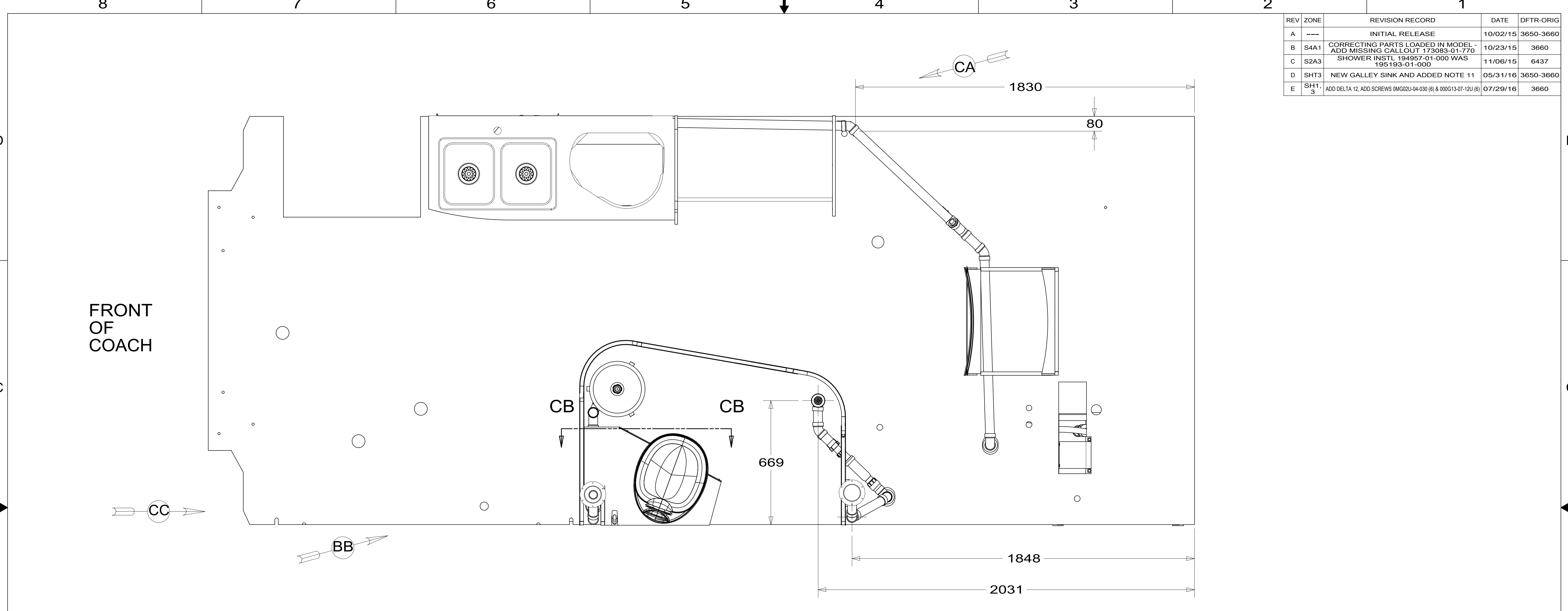
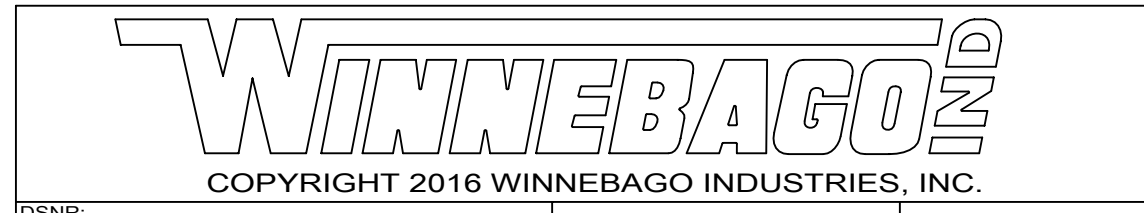


REV	ZONE	REVISION RECORD	DATE	DFTR-ORIG
A	---	INITIAL RELEASE	10/02/15	3650-3660
B	S4A1	CORRECTING PARTS LOADED IN MODEL - ADD MISSING CALLOUT 173083-01-770	10/23/15	3660
C	S2A3	SHOWER INSTL 194957-01-000 WAS 195193-01-000	11/06/15	6437
D	SHT3	NEW GALLEY SINK AND ADDED NOTE 11	05/31/16	3650-3660
E	SH1_3	ADD DELTA 12, ADD SCREWS 00G02U-04-030 (6) & 000G13-07-12U (6)	07/29/16	3660



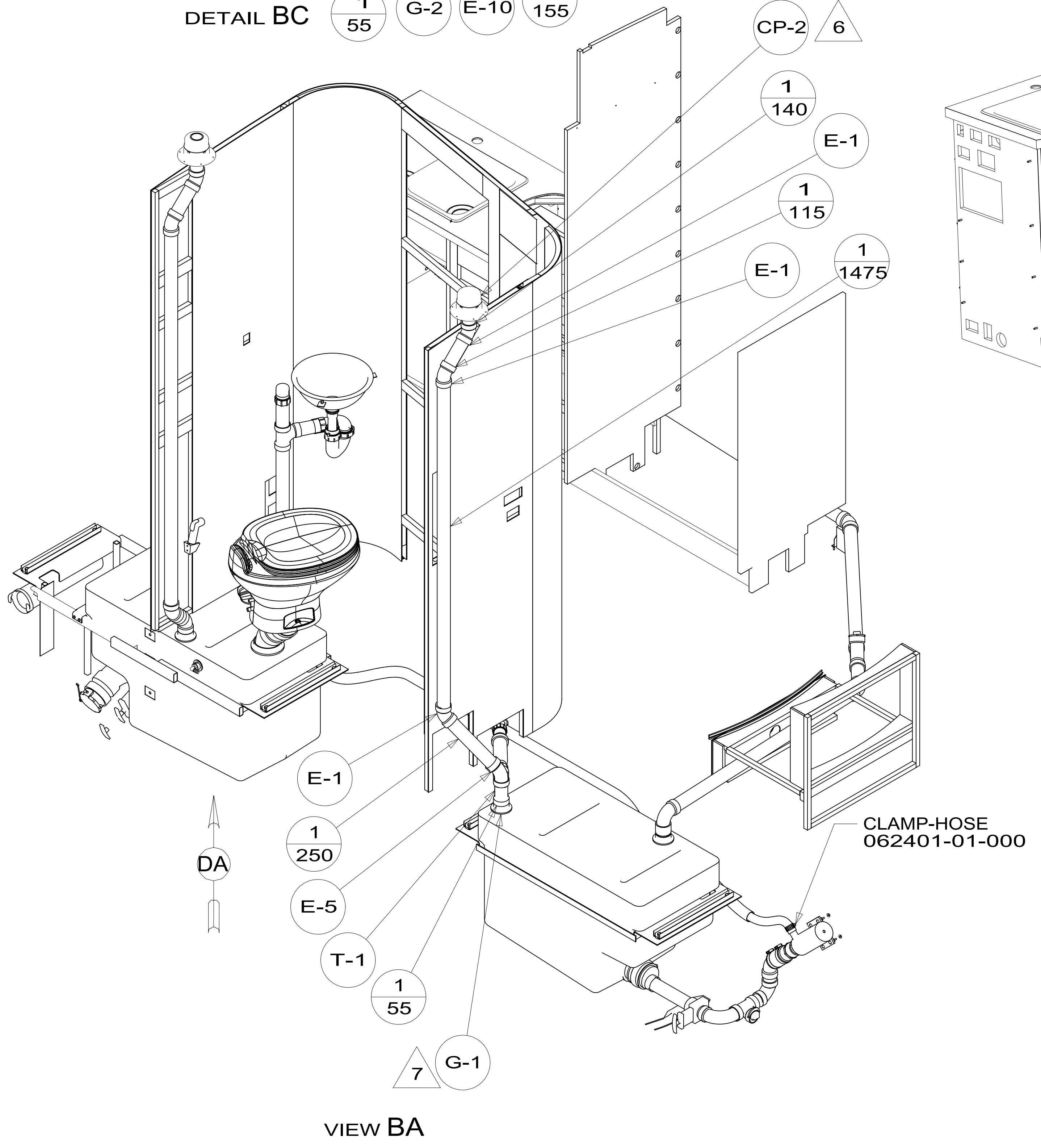
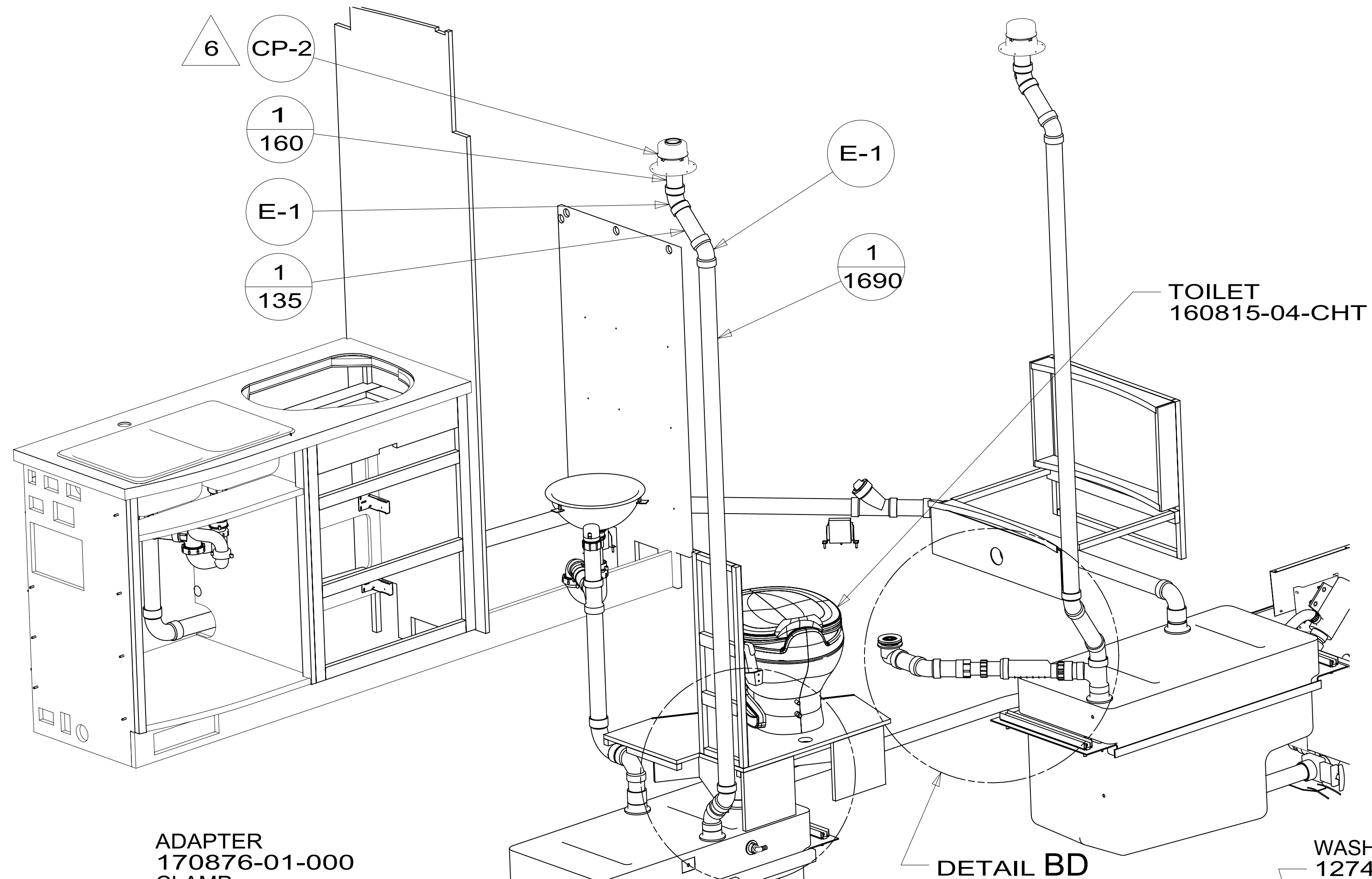
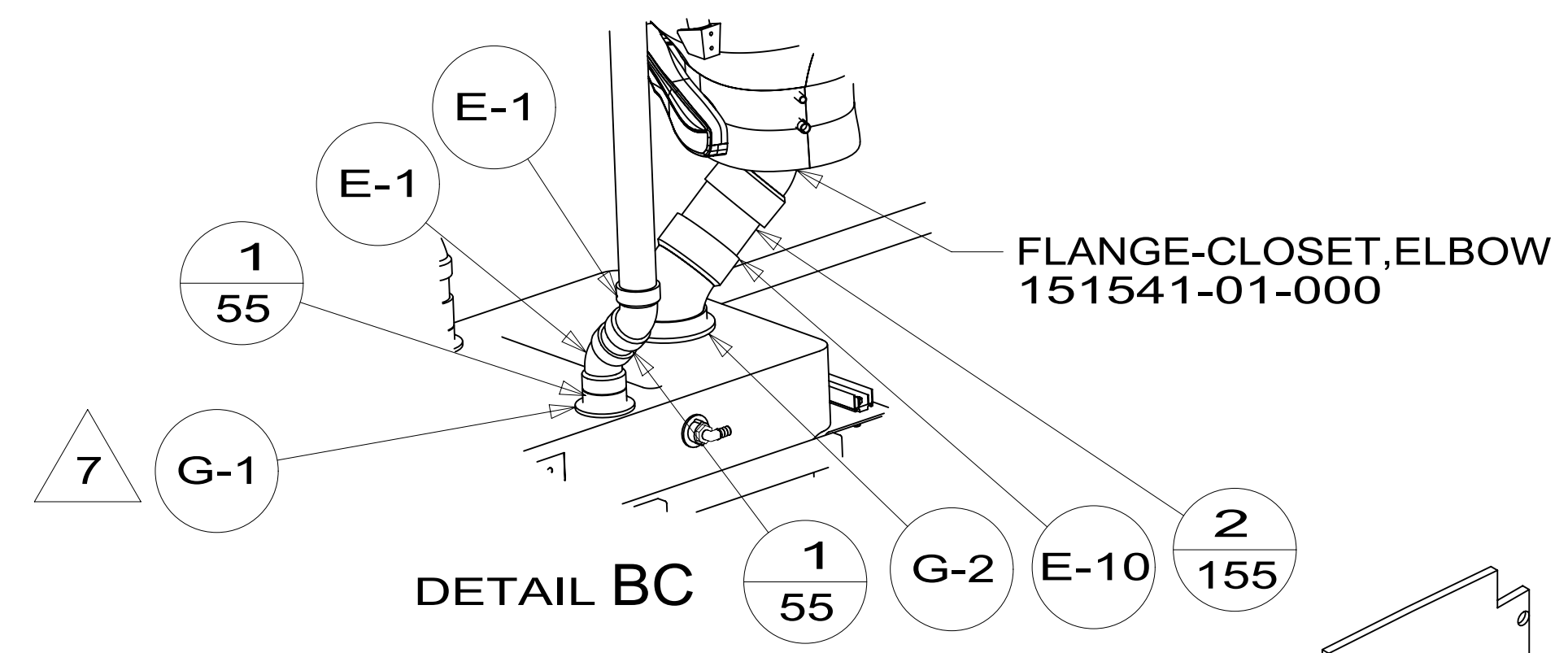
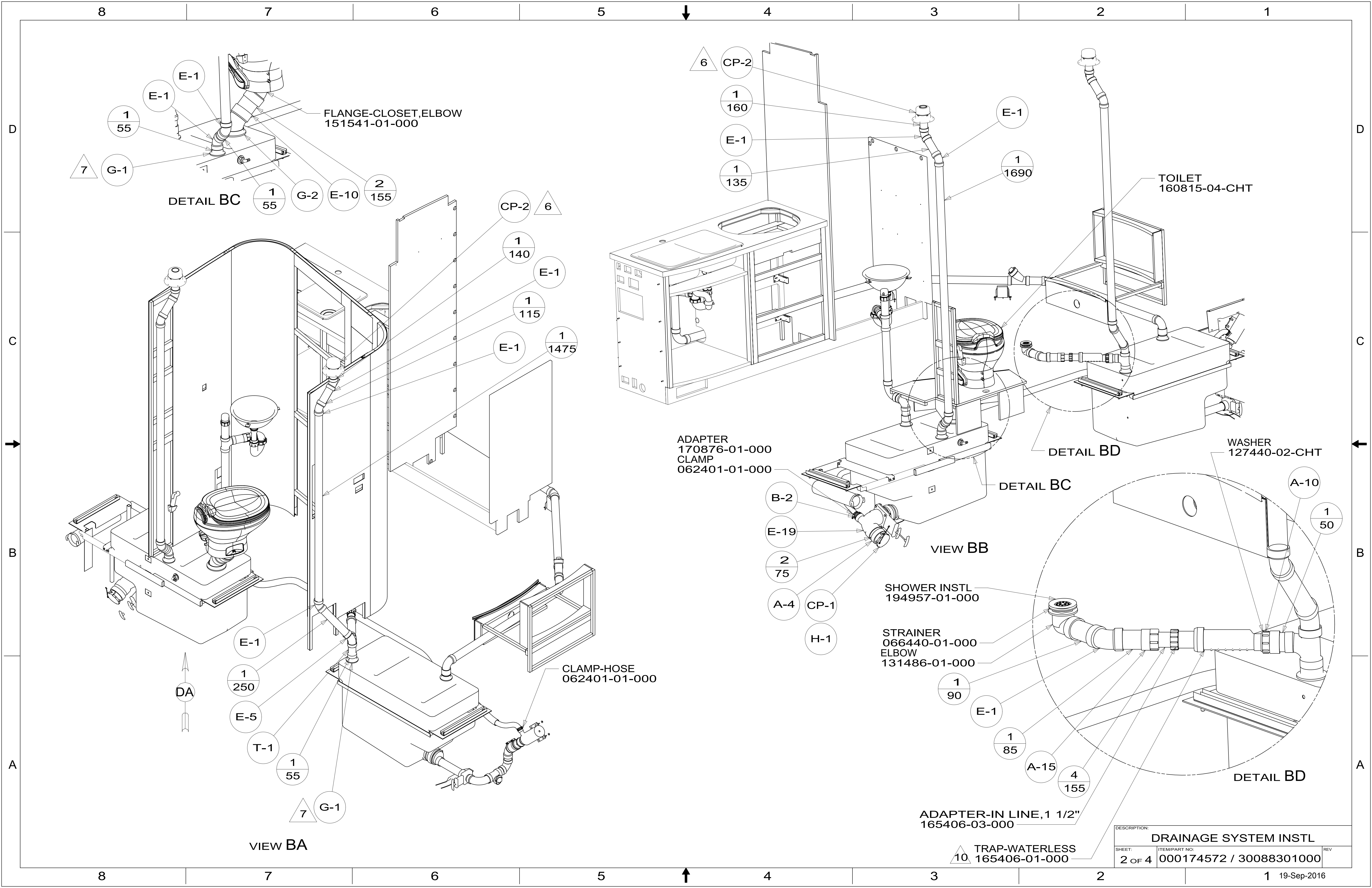
- 12. REPLACE SUPPLIED STUD AND WINGNUT WITH FASTENER AND INSTALL WITH SUPPLIED RETAINING ANGLE.
- 11. USE SMOOTH PLUMBERS PUTTY 167459-01-000 TO SEAL STRAINER (0.2 PER STRAINER).
- 10. REMOVE SWIVEL NUT ON TRAP-WATERLESS 165406-01-000 AND CONNECT A-10.
- 9. PREP THE SURFACE PER MANUFACTURERS INSTRUCTIONS, THEN APPLY ADHESIVE 067788-04-000 (0.10) ON PREPARED AREA BEFORE APPLYING THE HEATING PAD PER MANUFACTURERS INSTRUCTIONS.
- 8. FOLLOW SEWAGE MACERATOR PUMP WINTERIZATION PROCEDURE. EACH PUMP REQUIRES TWO GALLONS OF RV ANTIFREEZE 182955-01-000.
- 7. SECURE VENT PIPE TO FLOOR WITH CLAMP 062401-02-000 (2), SCREW 000G67-10-12U (2), BRACKET 136878-01-CHT (2).
- 6. VENT PIPE MUST PROJECT 51 MIN AND 64 MAX ABOVE ROOF FOR PROPER FIT AND FUNCTION. ADD S-1 (116666-01-CHT SEAL-VENT PIPE) AROUND PIPE ON ROOF BEFORE VENT CAP IS INSTALLED.
- 5. SEAL AROUND SHOWER WITH SILICONE.
- 4. SECURE DRAINAGE PIPES TO CABINET USING WIRE TIE 108046-02-000, AND SCREW 000G67-10-12U AT INTERVALS OF NOT MORE THAN 4 FEET APART.
- 3. ALL PIPE AND FITTINGS TO BE ASSEMBLED WITH SOLVENT 004020-01-000 (USA), 004020-02-000 (CAN)
- 2. SLOPE OF TRAP ARM MUST BE 6 PER 305 mm.
- 1. SLOPE OF HORIZONTAL PIPING TO BE MINIMUM OF 3 PER 305 mm.

- 1JD DRAINAGE SYSTEM-HEATED-W/O
- 23T DRAINAGE SYSTEM-HEATED
- 265 CODES/STANDARDS-CSA/CMVSS
- 1B1 CODES/STANDARDS USA

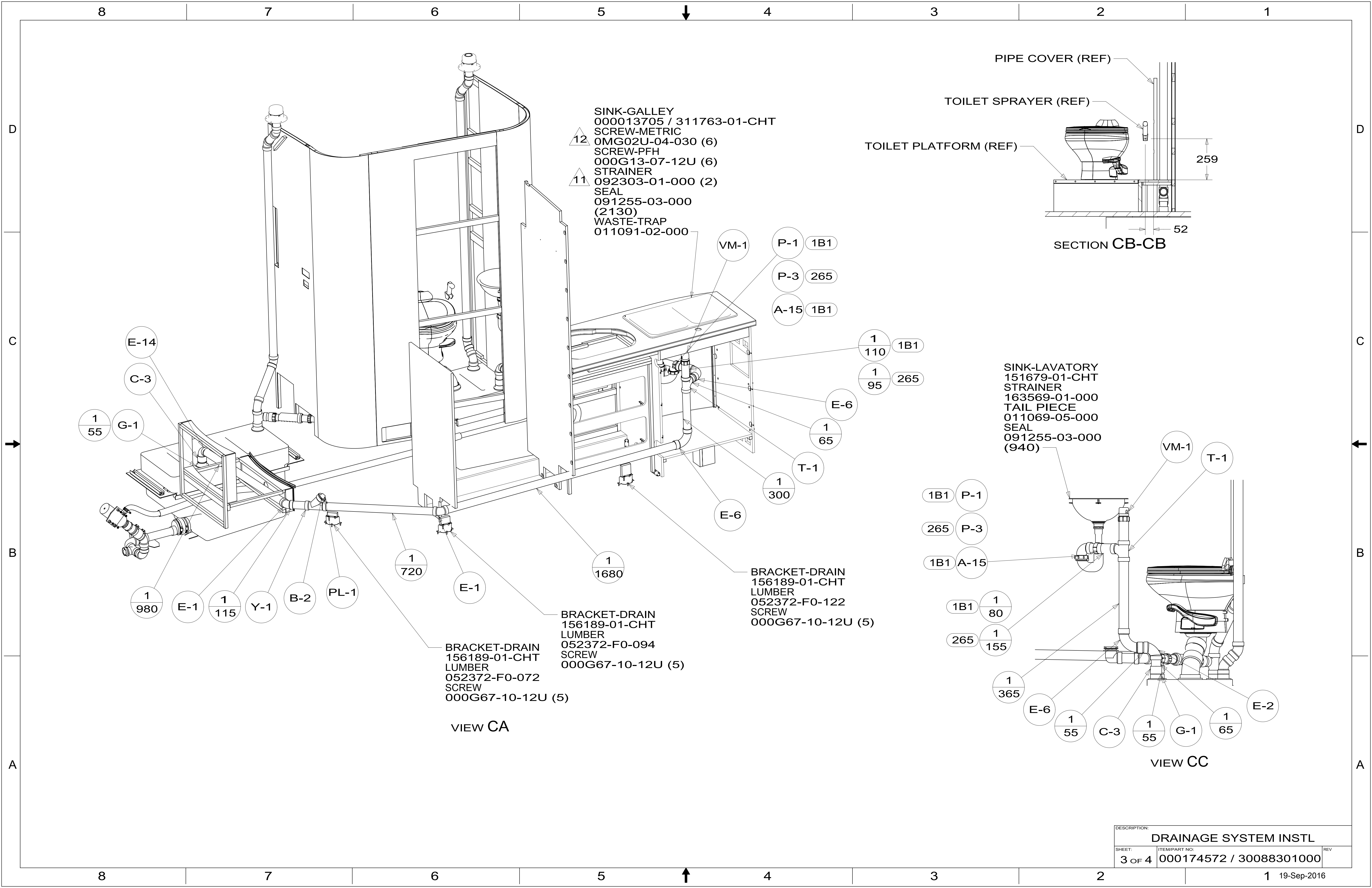


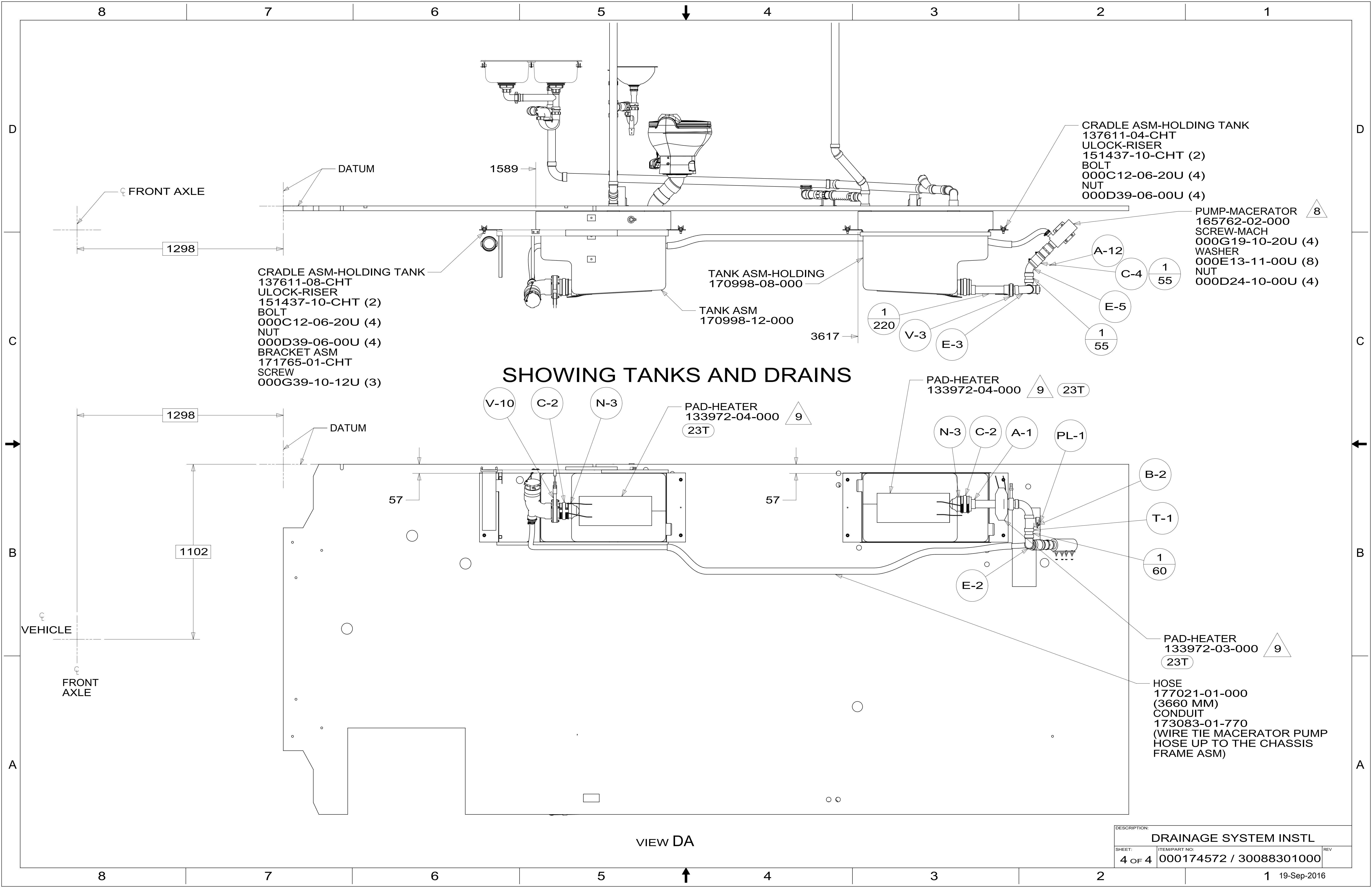
DSNR:		ALL DIMENSIONS ARE IN MILLIMETERS	
DFTR:		MATERIAL:	
UNSPECIFIED TOLERANCES:	WHOLE DIM (X)	3	
	ONE-PLACE (X.X)	1.5	
	TWO-PLACE (X.XX)	0.50	
	ANGLE	1°	
REFER TO ES0018 FOR FASTENER TIGHTENING GUIDELINES		WEIGHT: (LBS)	FIRST USED: (REF)
			16 524V
DESCRIPTION: DRAINAGE SYSTEM INSTL			
SHEET:	ITEM/PART NO.:	REV	
1 OF 4	000174572 / 30088301000		

FOR DRAINAGE CALLOUTS SEE DWG NO. 116229-01-000



DESCRIPTION: <b>DRAINAGE SYSTEM INSTL</b>		
SHEET: 2 OF 4	ITEM/PART NO: 000174572 / 30088301000	REV
19-Sep-2016		





CRADLE ASM-HOLDING TANK  
 137611-04-CHT  
 ULOCK-RISER  
 151437-10-CHT (2)  
 BOLT  
 000C12-06-20U (4)  
 NUT  
 000D39-06-00U (4)

PUMP-MACERATOR 8  
 165762-02-000  
 SCREW-MACH  
 000G19-10-20U (4)  
 WASHER  
 000E13-11-00U (8)  
 NUT  
 000D24-10-00U (4)

CRADLE ASM-HOLDING TANK  
 137611-08-CHT  
 ULOCK-RISER  
 151437-10-CHT (2)  
 BOLT  
 000C12-06-20U (4)  
 NUT  
 000D39-06-00U (4)  
 BRACKET ASM  
 171765-01-CHT  
 SCREW  
 000G39-10-12U (3)

TANK ASM-HOLDING  
 170998-08-000  
 TANK ASM  
 170998-12-000

**SHOWING TANKS AND DRAINS**

PAD-HEATER 9  
 133972-04-000 23T

PAD-HEATER 9  
 133972-04-000 23T

PAD-HEATER 9  
 133972-03-000 23T

HOSE  
 177021-01-000  
 (3660 MM)  
 CONDUIT  
 173083-01-770  
 (WIRE TIE MACERATOR PUMP  
 HOSE UP TO THE CHASSIS  
 FRAME ASM)

VIEW DA

DESCRIPTION:		
DRAINAGE SYSTEM INSTL		
SHEET:	ITEM/PART NO.:	REV
4 OF 4	000174572 / 30088301000	