

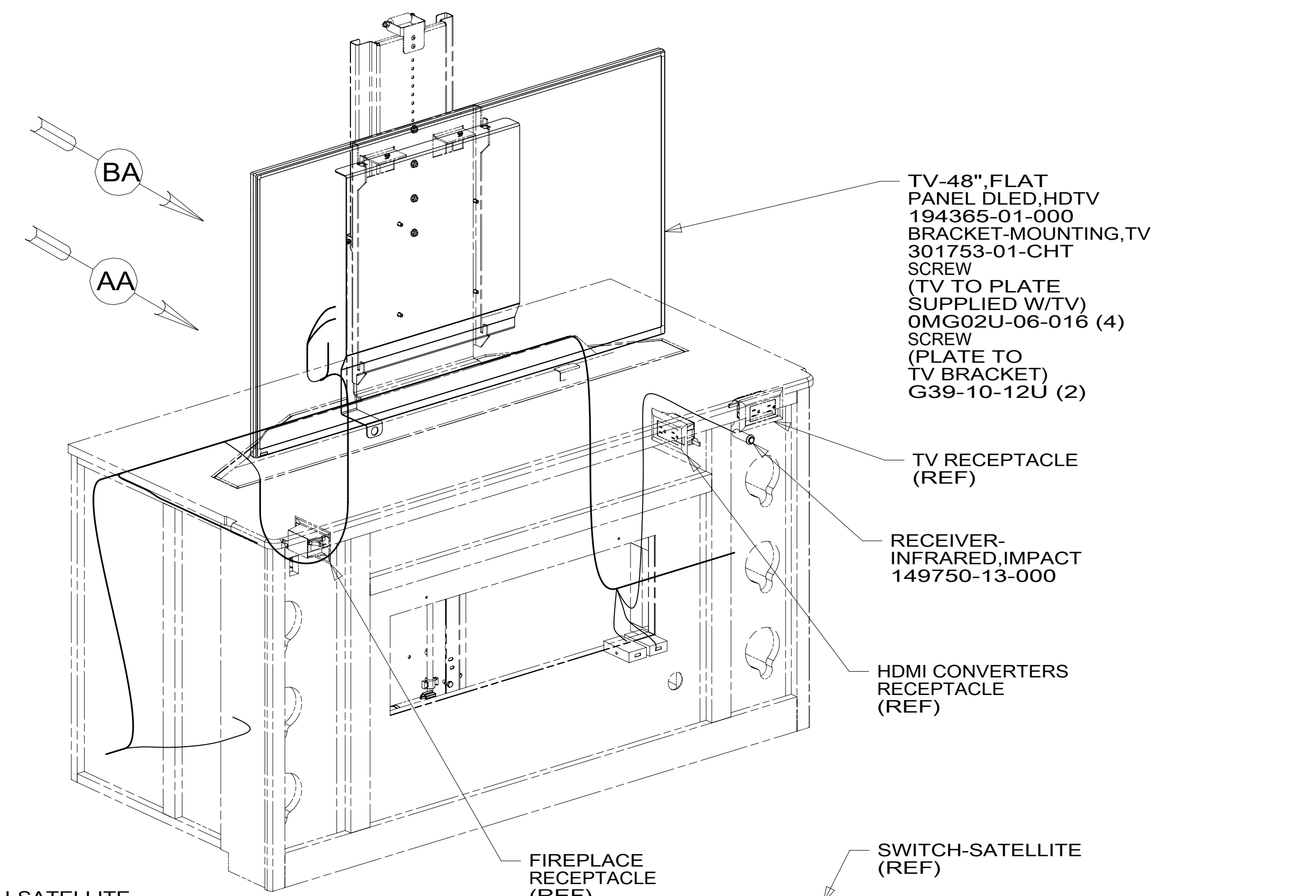
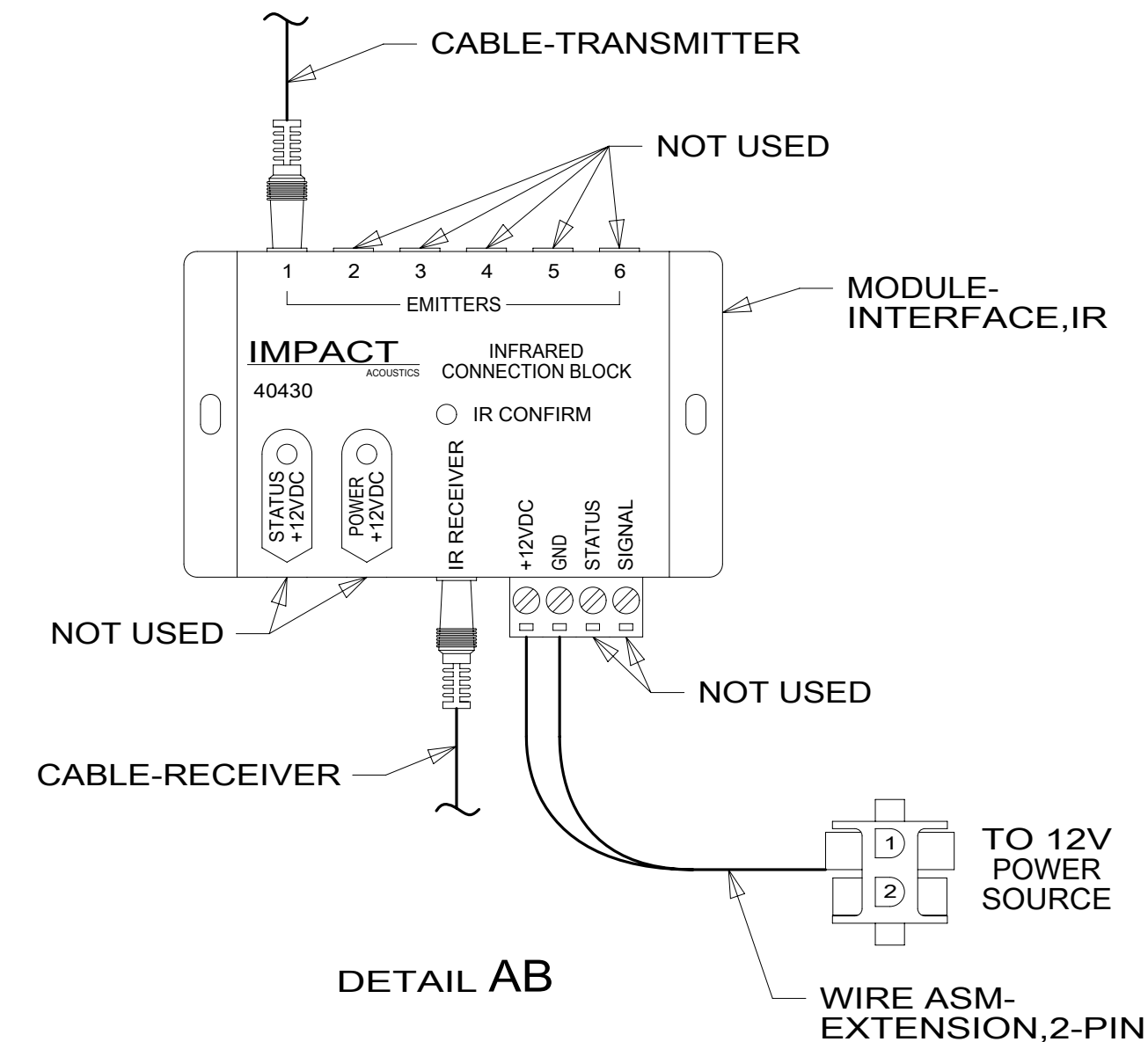
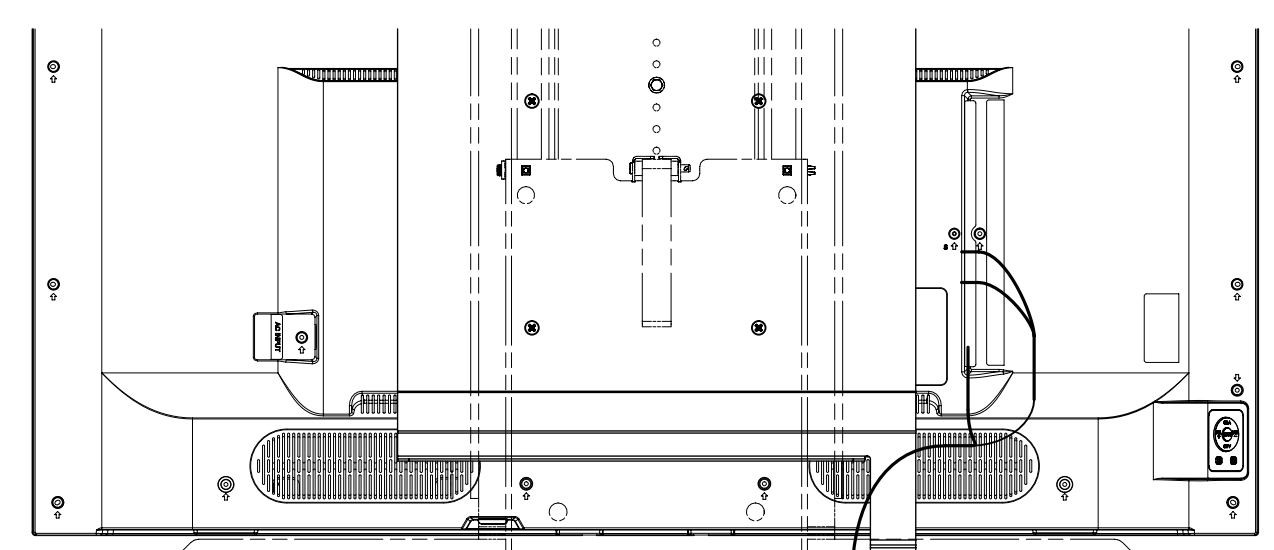
8 7 6 5 4 3 2 1

D

C

B

A



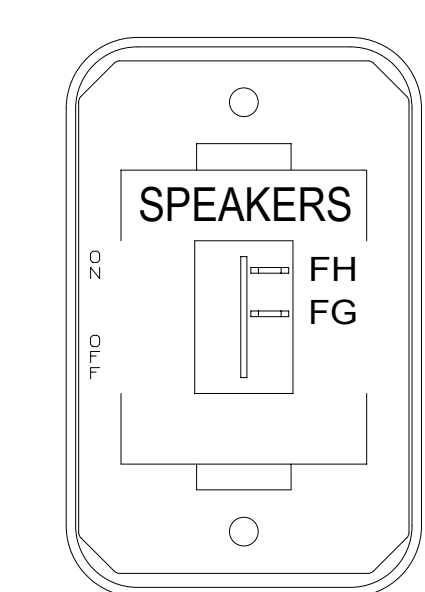
LEAD FROM IR EYE CONNECTS TO 1/8" STEREO CABLE FROM WIRE ASM-COACH

CONVERTER-HDMI/CAT6 (RECEIVER) (SAT PREP) FASTENER-DUAL LOCK 85774-01-000 (50 MM) (2) 85774-02-000 (50 MM) (2)

VIEW AA

CONVERTER-HDMI/CAT6 (RECEIVER) (HOME THEATER) FASTENER-DUAL LOCK 85774-01-000 (50 MM) (2) 85774-02-000 (50 MM) (2)

1JM



SWITCH-ROCKER 135740-01-CHT

SWITCH-BASE 135741-01-CHT

SWITCH-BEZEL 135742-60-CHT

SCREW G11-08-08U (2)

RCP-2 (PUR-2) OVHD#1

1 TRANSMITTER-INFRARED 149750-11-000 (2)

1JM SWITCH

DETAIL AD

1JM CONVERTER-AUDIO OUTPUT 173726-01-000

1JM CONVERTER-HDMI/CAT6 (TRANSMITTER) (HOME THEATER) 178304-02-000

FASTENER-DUAL LOCK 85774-01-000 (50 MM) (2) 85774-02-000 (50 MM) (2)

RECEIVER-SATELLITE (REF)

78K SWITCH-SATELLITE 186102-04-CHT

DETAIL AC

RCP-2 (PUR-2) OVHD#2

PLATE-WALL SATELLITE PREP 149557-04-CHT

CONVERTER-HDMI/CAT6 (TRANSMITTER) (SAT PREP) 178304-02-000

FASTENER-DUAL LOCK 85774-01-000 (50 MM) (2) 85774-02-000 (50 MM) (2)

DVD-HOME THEATER 180079-03-000

WIRE ASM-JUMPER 153349-11-000

FASTENER-DUAL LOCK 85774-01-000 (300 MM) (2) 85774-02-000 (300 MM) (2)

1JM

RCP-2S (PUR-2) OVHD

MODULE-INTERFACE, IR IMPACT 149750-09-000

WIRE ASM-EXTENSION, 2 PIN 000028274 / 316209-01-000

DETAIL AB

BRACKET-VIDEO SWITCH 156586-13-CHT

SCREW G11-08-12U (4)

FOR ELECTRICAL TORQUE SPECIFICATIONS SEE DWG NO. 128783-01-000

FOR ELECTRICAL CALLOUTS SEE DWG NO. 121339-01-000

NOTES:

1 POSITION IR EMITTER OVER IR RECEIVER ON DVD PLAYER.

DETAIL AC

- 1JM HOME THEATER SOUND SYSTEM
- 78K SATELLITE TV SYSTEM AUTO
- 35P VIDEO SELECTION SYSTEM
- 265 CODES/STANDARDS-CSA/CMVSS
- 1B1 CODES/STANDARDS USA

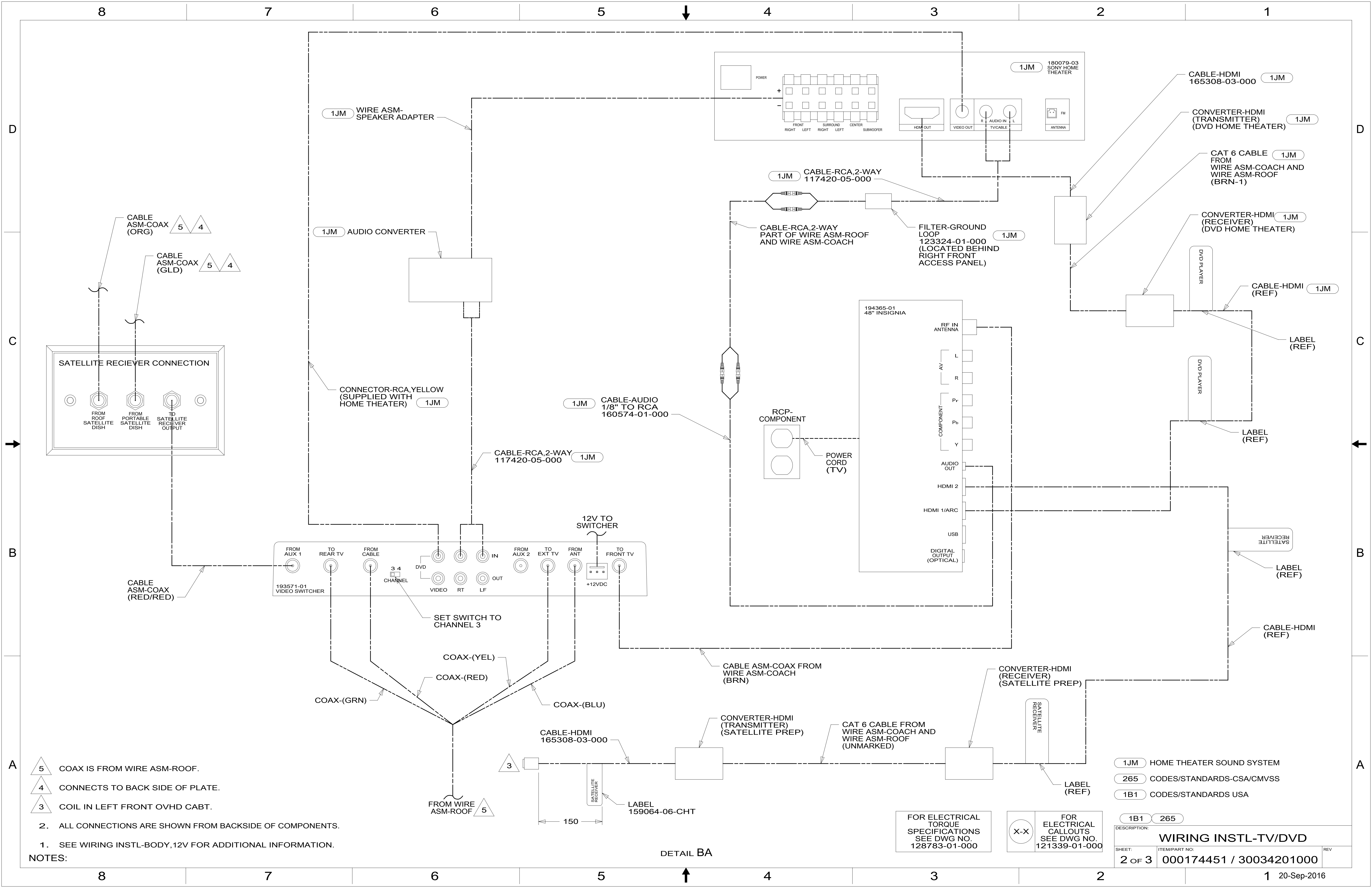
1B1 265

WINNEBAGO

COPYRIGHT 2016 WINNEBAGO INDUSTRIES, INC.

DSNR:	ALL DIMENSIONS ARE IN MILLIMETERS
DFFR:	
UNSPECIFIED TOLERANCES:	MATERIAL:
WHOLE DIM (X) : 3	
ONE-PLACE (X.X) : 1.5	
TWO-PLACE (X.XX) : 0.50	
ANGLE : 1°	
REFER TO ES0018 FOR FASTENER TIGHTENING GUIDELINES	WEIGHT: (LBS) FIRST USED:
	16 D36Z
DESCRIPTION: WIRING INSTL-TV/DVD	
SHEET: 1 OF 3	ITEM/PART NO: 000174451 / 30034201000
REF:	1 20-Sep-2016

8 7 6 5 4 3 2 1



- 5 COAX IS FROM WIRE ASM-ROOF.
- 4 CONNECTS TO BACK SIDE OF PLATE.
- 3 COIL IN LEFT FRONT OVHD CABT.

2. ALL CONNECTIONS ARE SHOWN FROM BACKSIDE OF COMPONENTS.

1. SEE WIRING INSTL-BODY, 12V FOR ADDITIONAL INFORMATION.

NOTES:

- 1JM HOME THEATER SOUND SYSTEM
- 265 CODES/STANDARDS-CSA/CMVSS
- 1B1 CODES/STANDARDS USA

FOR ELECTRICAL TORQUE SPECIFICATIONS SEE DWG NO. 128783-01-000

X-X FOR ELECTRICAL CALLOUTS SEE DWG NO. 121339-01-000

DESCRIPTION:	1B1 265	
WIRING INSTL-TV/DVD		
SHEET:	ITEM/PART NO.:	REV
2 OF 3	000174451 / 30034201000	

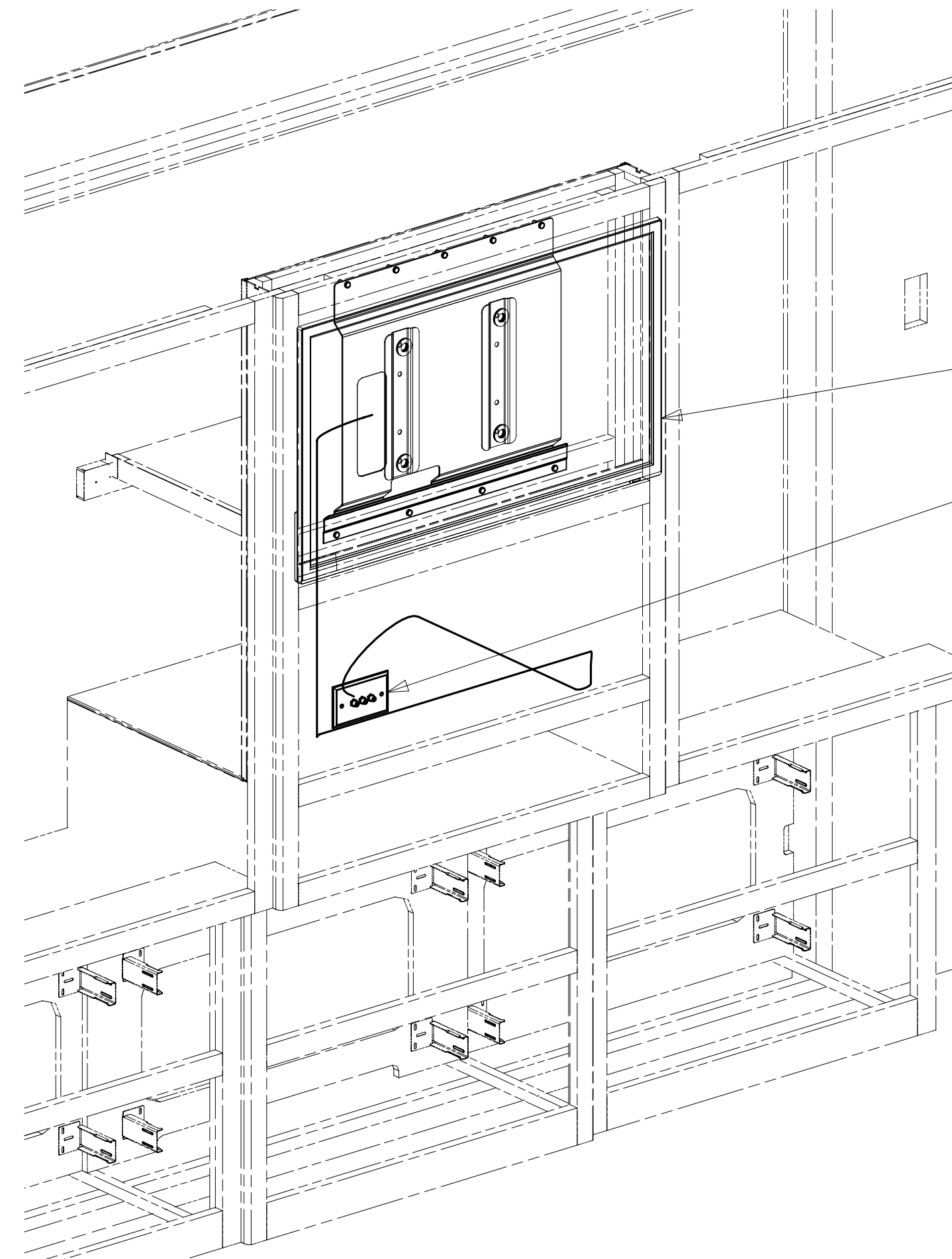
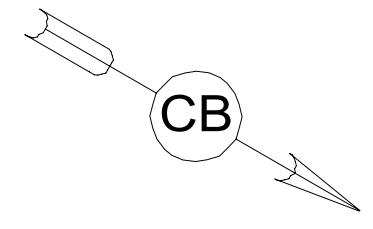
DETAIL BA

D

C

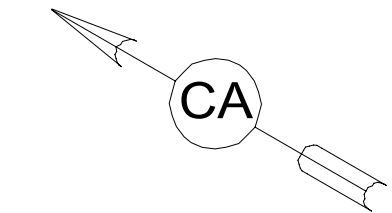
B

A



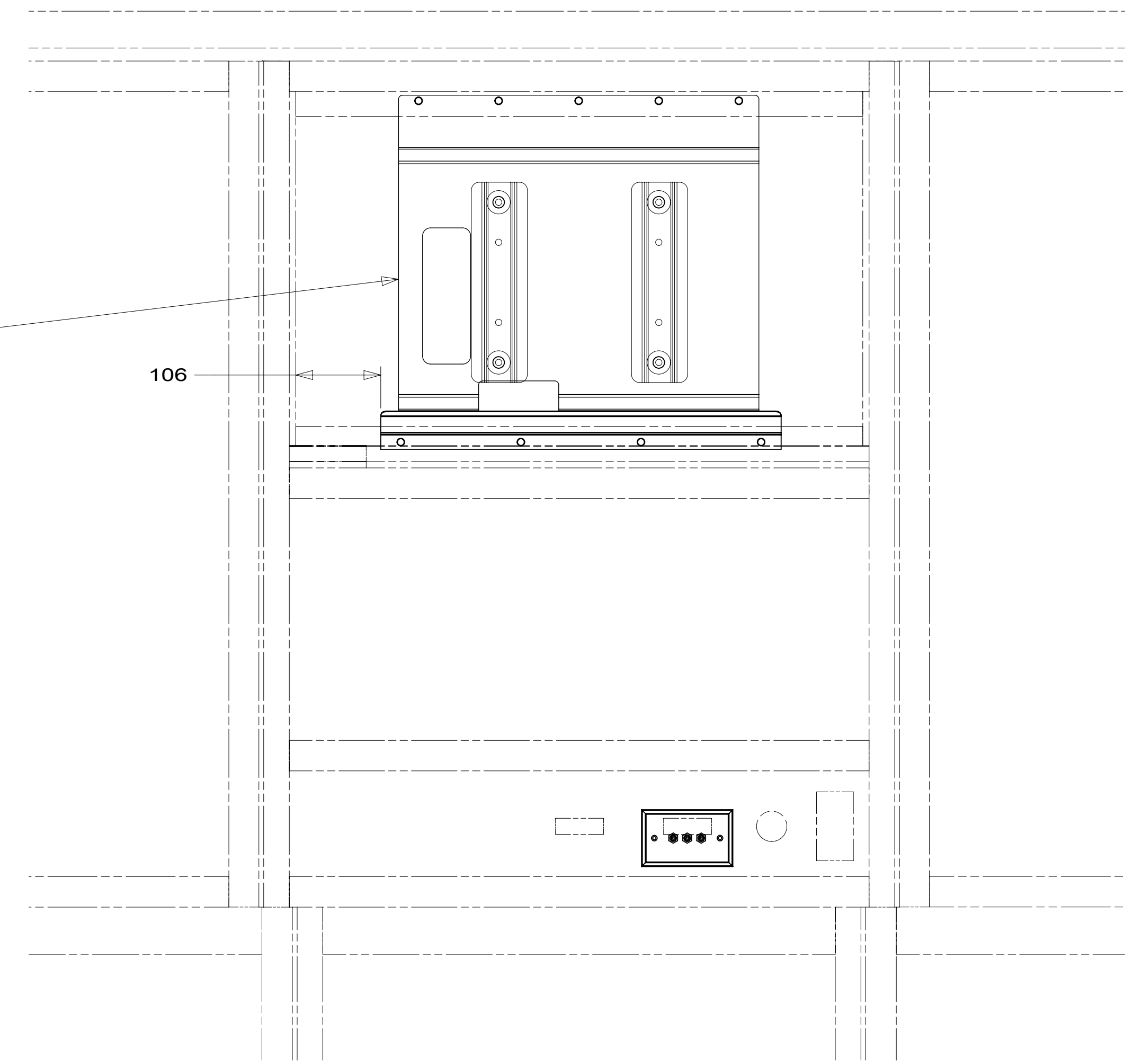
TV-32", FLAT
PANEL DLED, HDTV
194849-01-000

PLATE-WALL, 3-FEMALE RCA
167733-01-CHT

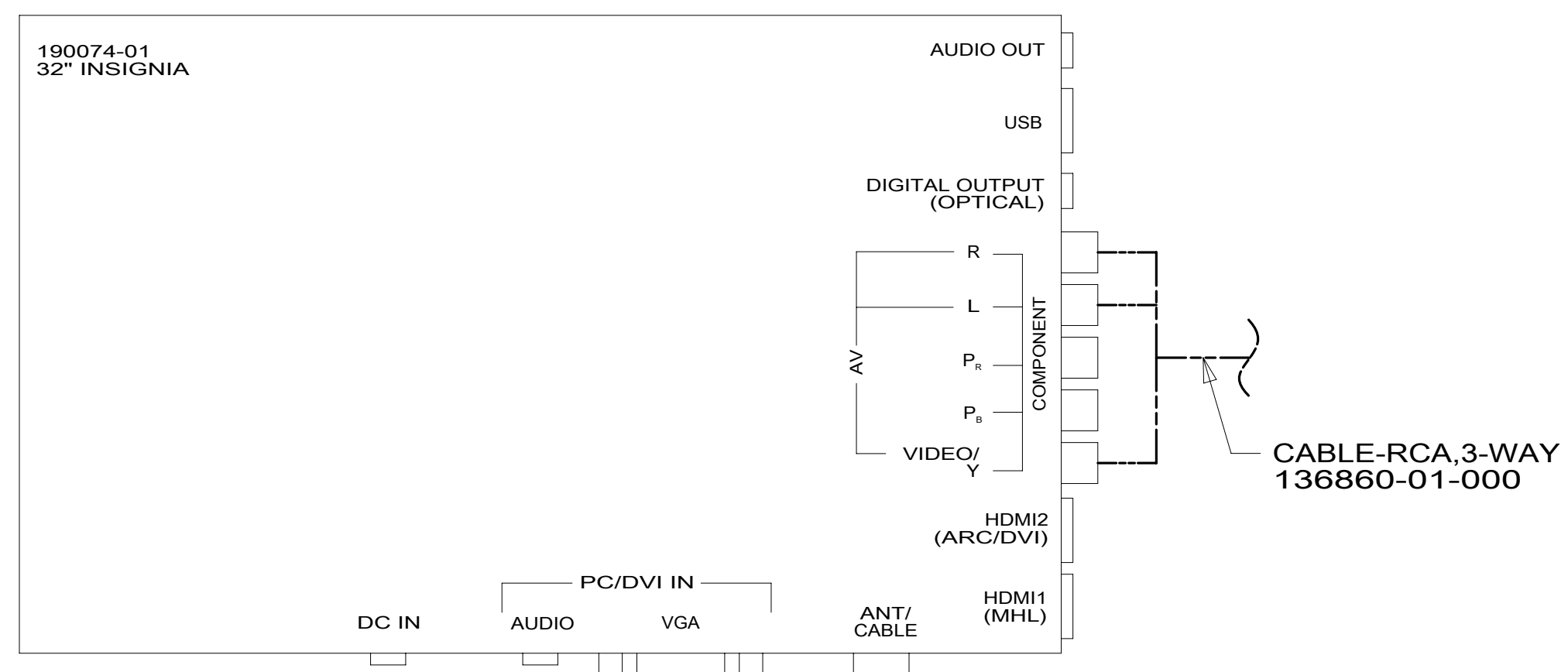


BRACKET-TV, 32" INSIG
195035-01-CHT
BRACKET-MOUNTING, TV
195044-01-CHT (2)
SCREW (VESA MOUNT)
OMG02U-06-020 (4)
SCREW (BOTTOM FLANGE)
G39-08-12U (9)
CLIP-TRIM
130034-04-CHT

106



VIEW CA
(TV NOT SHOWN)



VIEW CB

265 CODES/STANDARDS-CSA/CMVSS
1B1 CODES/STANDARDS USA

FOR ELECTRICAL
TORQUE
SPECIFICATIONS
SEE DWG NO.
128783-01-000

X-X
FOR ELECTRICAL
CALLOUTS
SEE DWG NO.
121339-01-000

DESCRIPTION:	1B1 265	
WIRING INSTL-TV/DVD		
SHEET:	ITEM/PART NO:	REV
3 OF 3	000174451 / 30034201000	