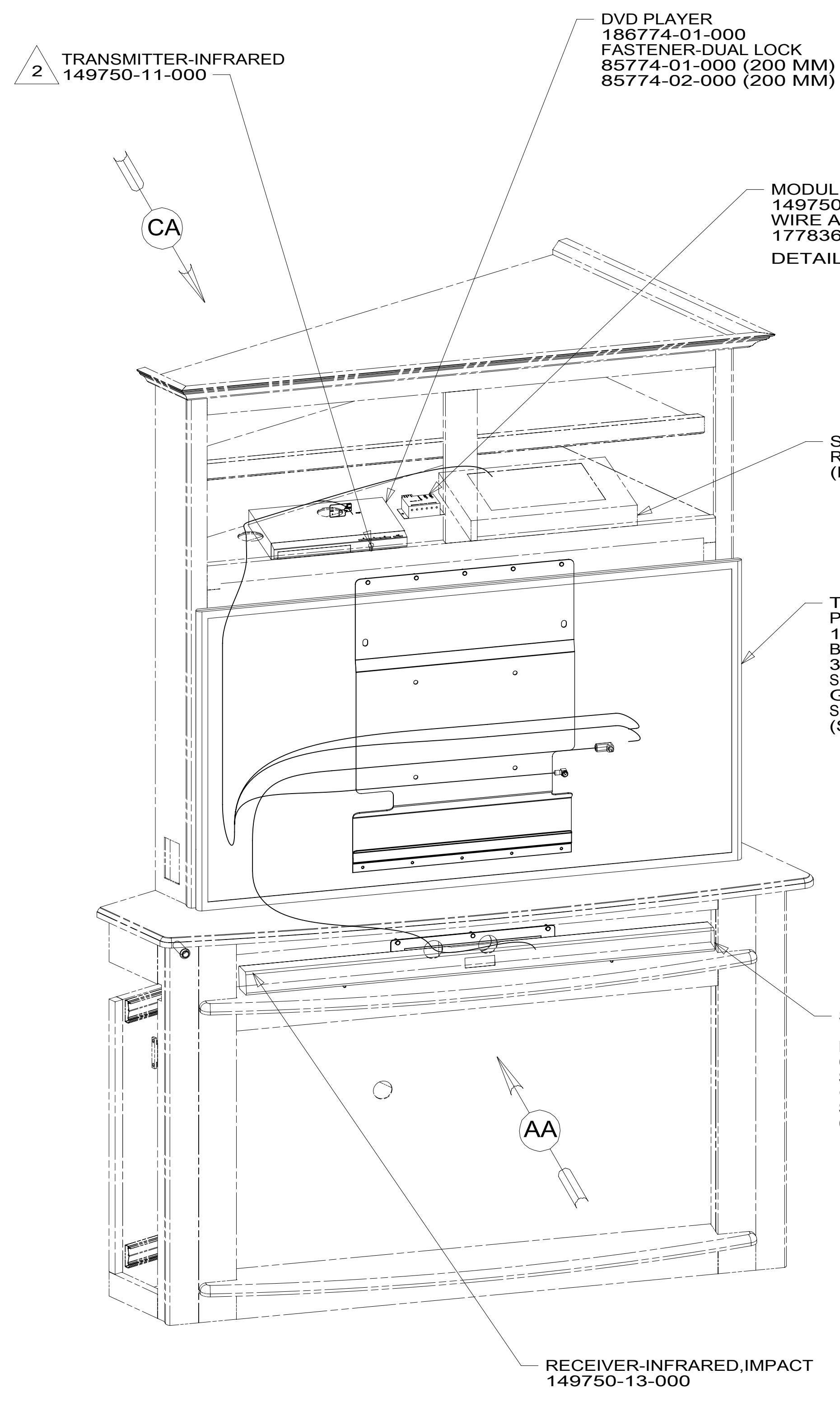


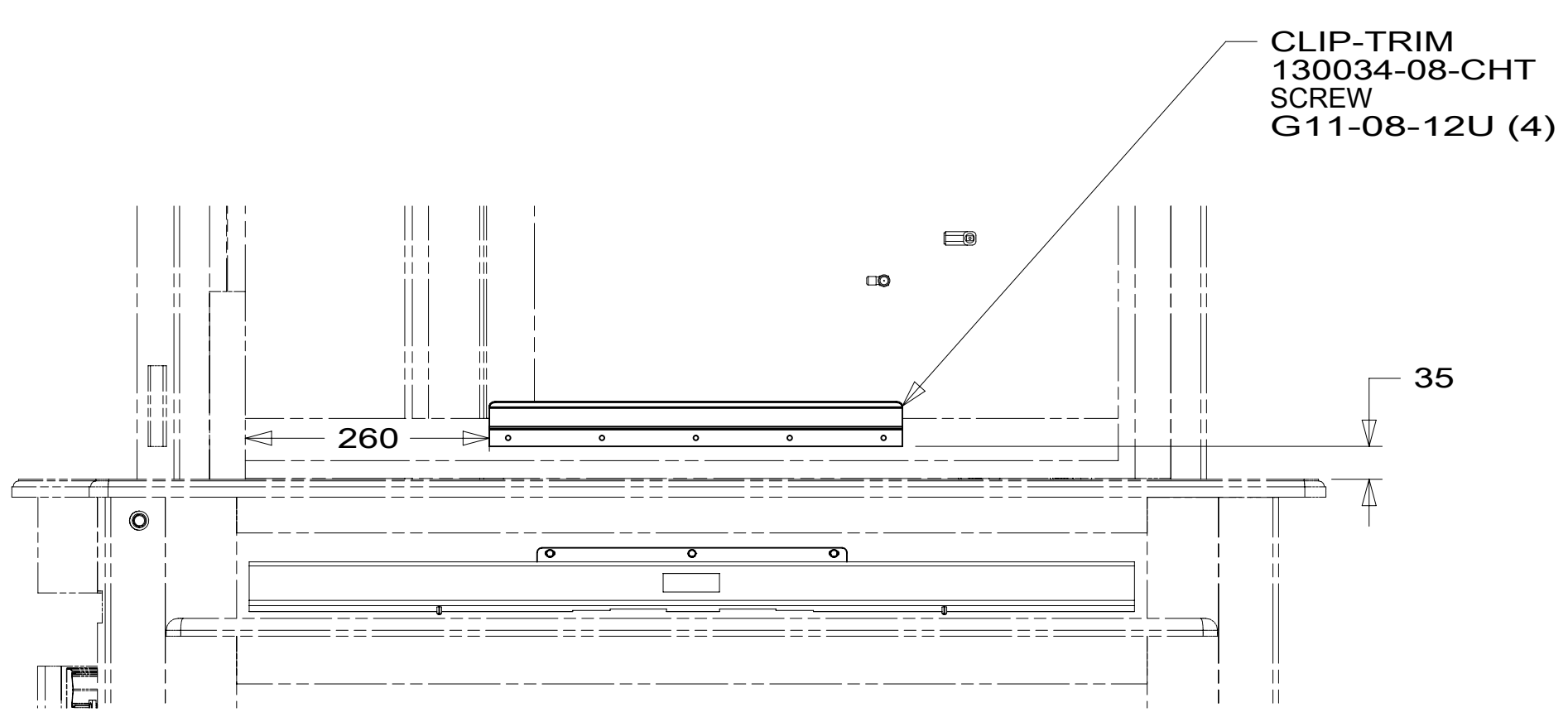
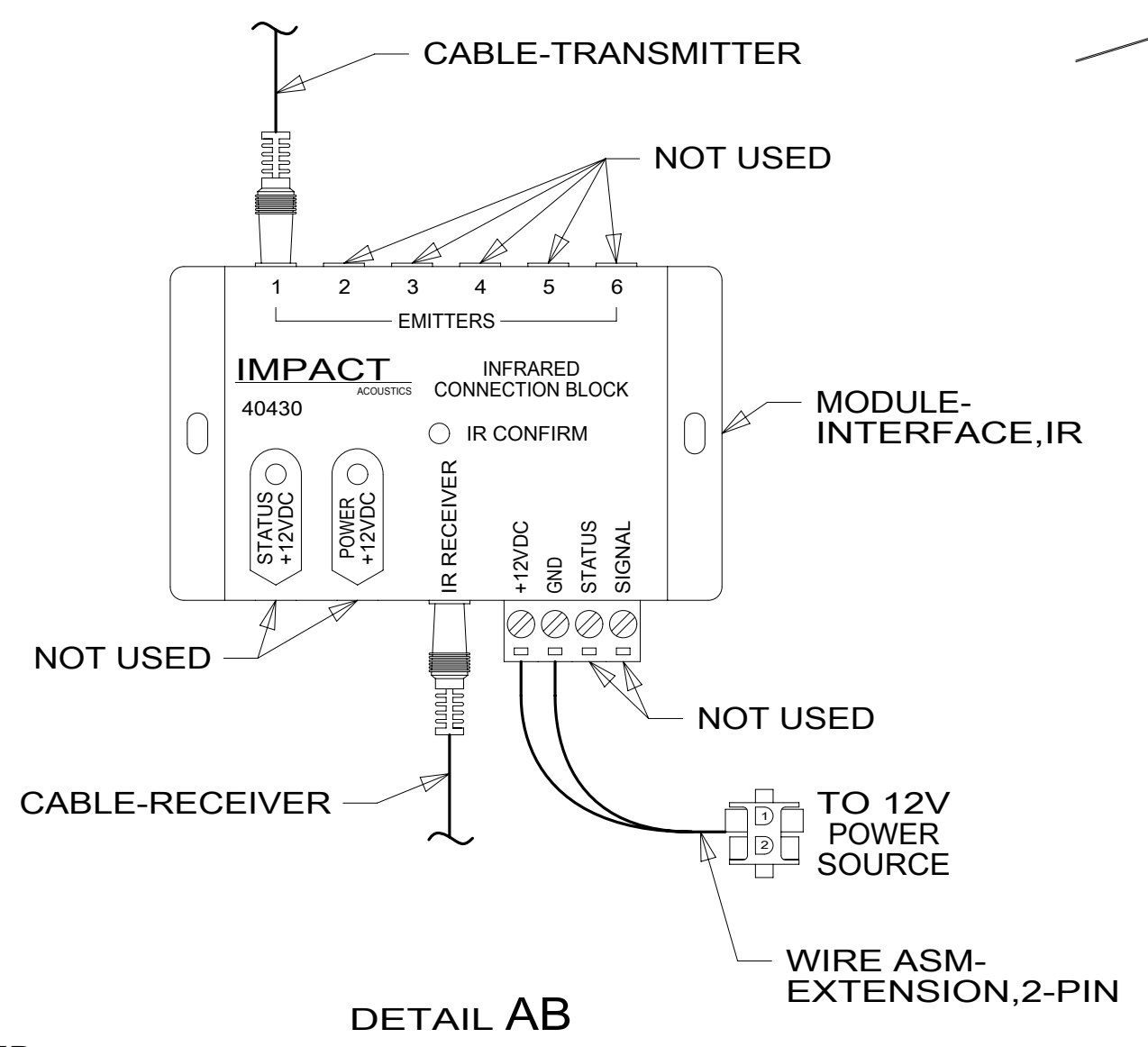
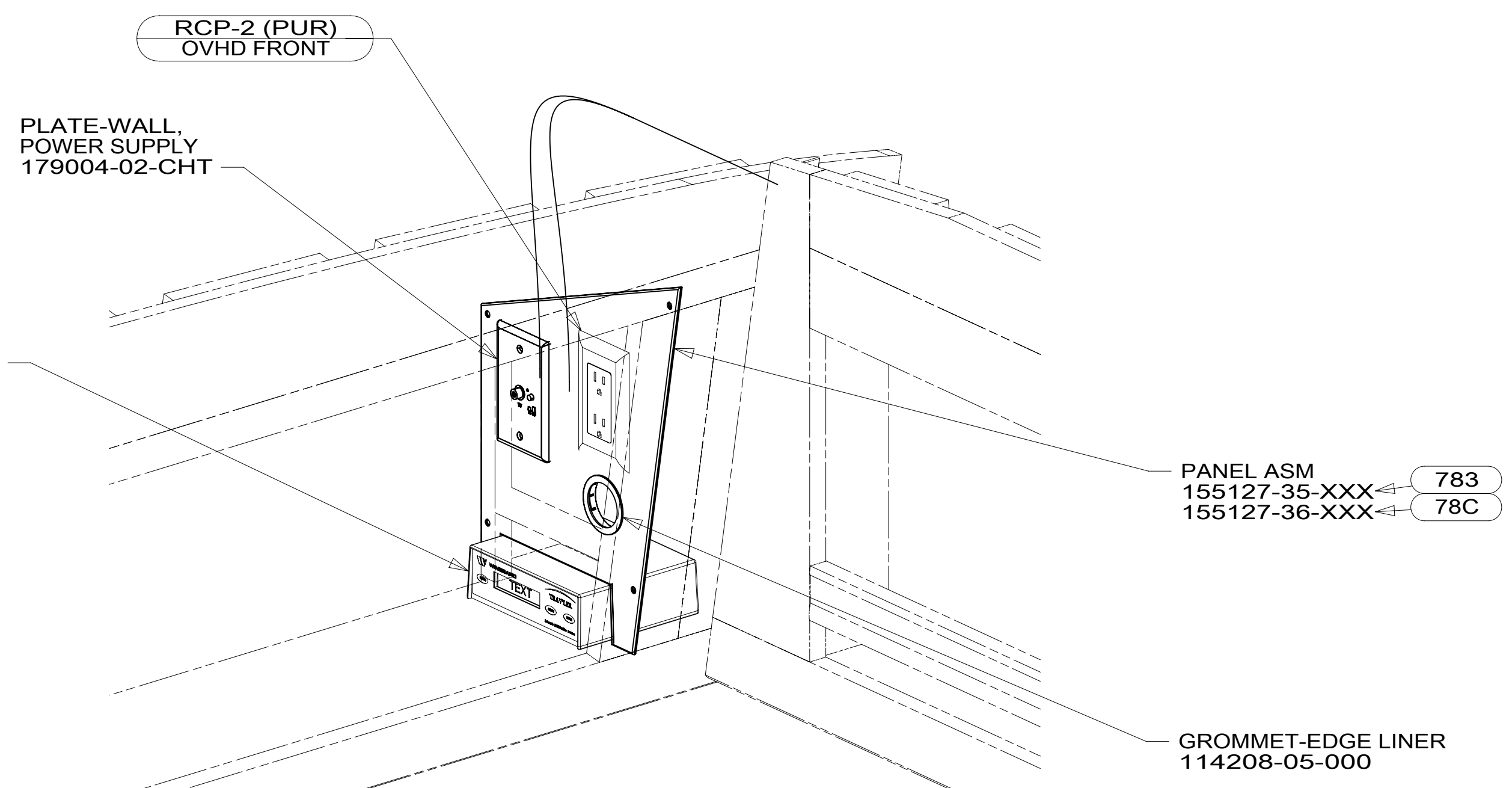
8 7 6 5 4 3 2 1

D
C
B
A

D
C
B
A



1 783 CONTROL-INTERIOR
183415-05-000
FASTENER-DUAL LOCK
85774-01-000 (200 MM)
85774-02-000 (200 MM)



VIEW AA
(TV NOT SHOWN)

- 783 SATELLITE HD TV SYSTEM AUTOC
- 78C SATELLITE SYSTEM READY
- 265 CODES/STANDARDS-CSA/CMVSS
- 1B1 CODES/STANDARDS USA



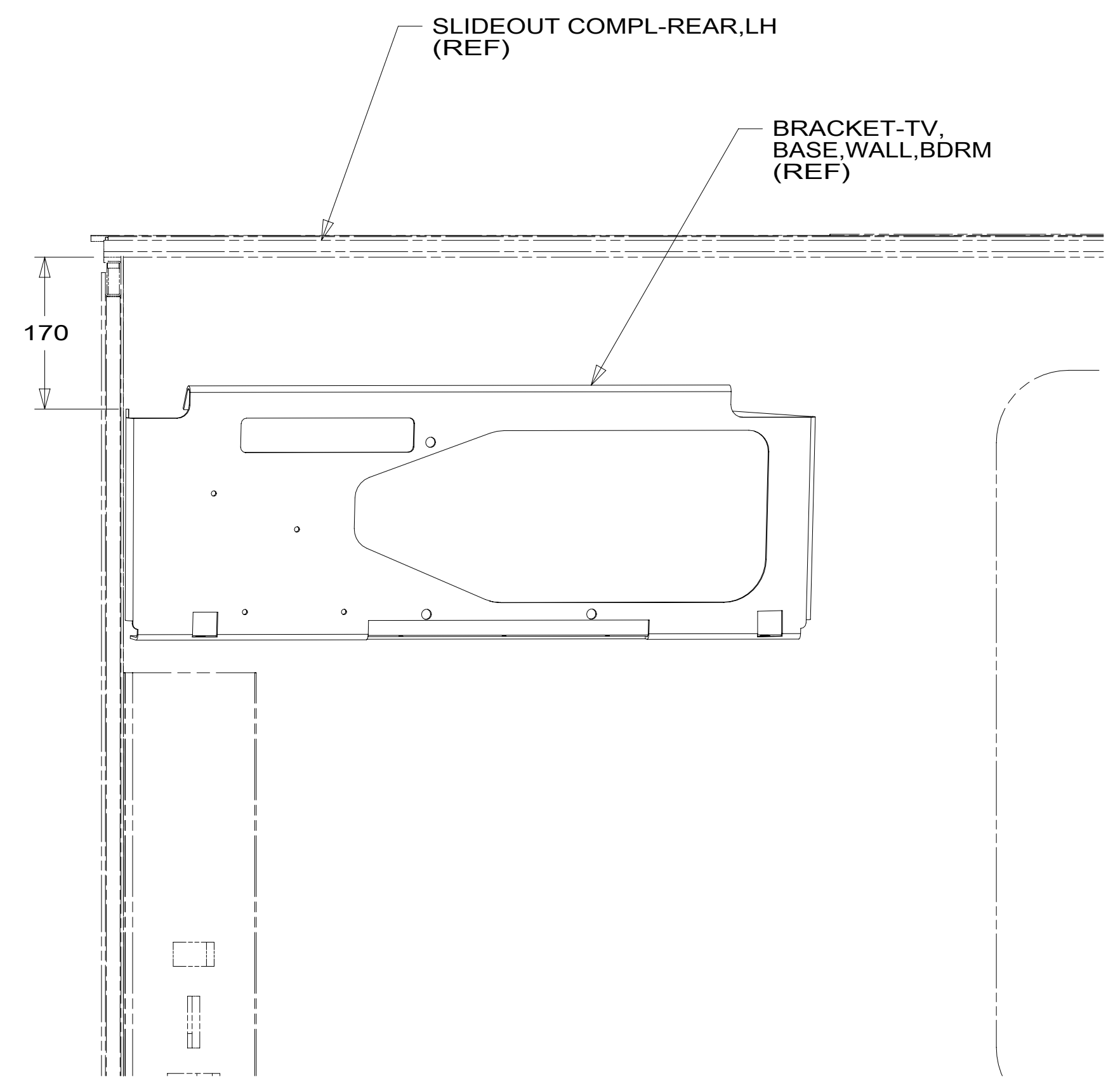
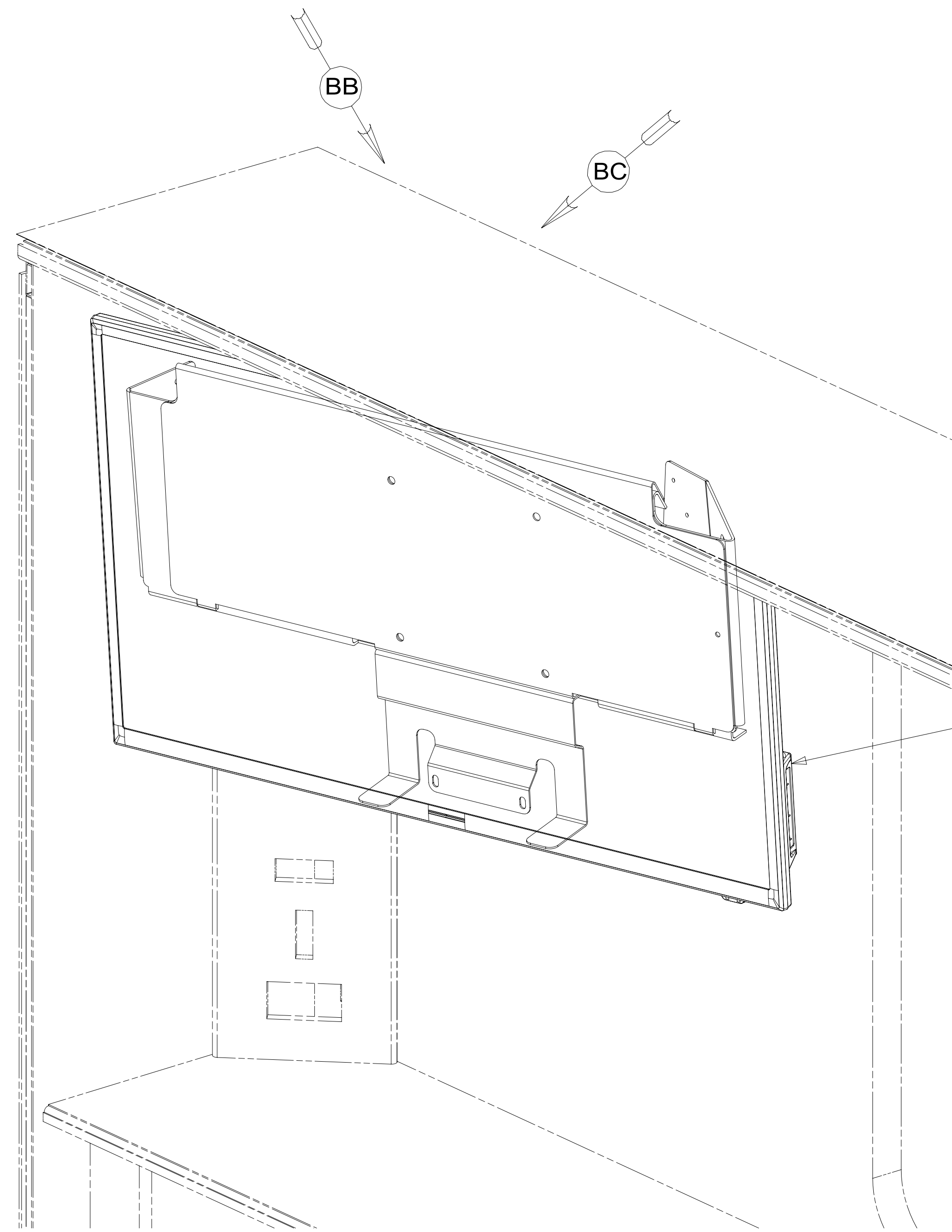
DSNR:		ALL DIMENSIONS ARE IN MILLIMETERS	
DFFR:		MATERIAL:	
UNSPECIFIED TOLERANCES:	WHOLE DIM (X) : 3	WEIGHT: (LBS)	FIRST USED:
	ONE-PLACE (X.X) : 1.5		16 L36G
	TWO-PLACE (X.XX) : 0.50	REFER TO ES0018 FOR FASTENER TIGHTENING GUIDELINES	
	ANGLE : 1°	DESCRIPTION:	
WIRING INSTL-TV/DVD			
SHEET:	ITEM/PART NO:	REF:	REV:
1 OF 3	000174273 / 30160001000		

- NOTES:
- 2 POSITION IR EMITTER OVER IR RECIEVER ON DVD PLAYER.
 - 1 INTERIOR CONTROL CONNECTS TO SATELLITE DATA CABLE. SEE ROOF ASM FOR ADDITIONAL INFORMATION.

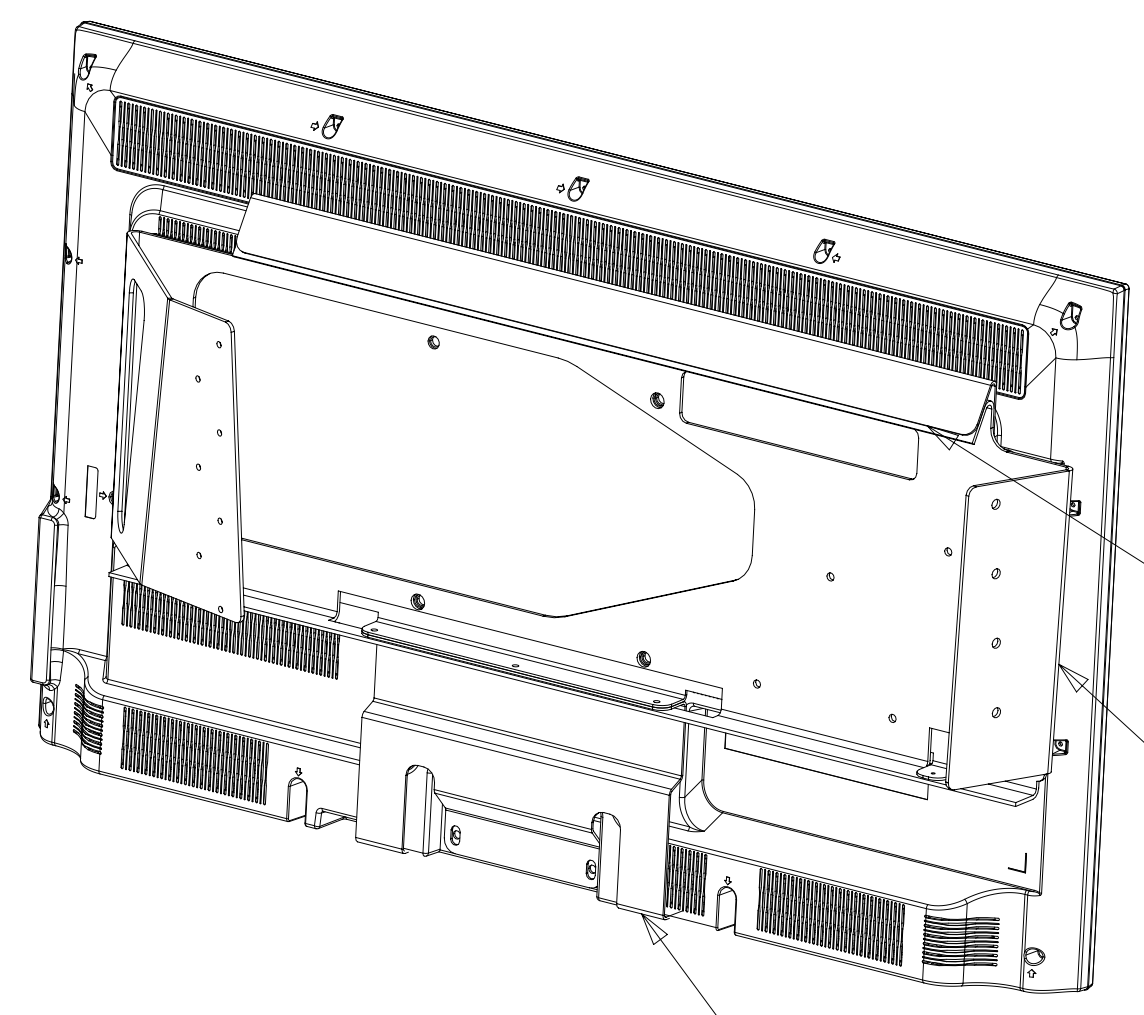
FOR ELECTRICAL TORQUE SPECIFICATIONS SEE DWG NO. 128783-01-000

X-X FOR ELECTRICAL CALLOUTS SEE DWG NO. 121339-01-000

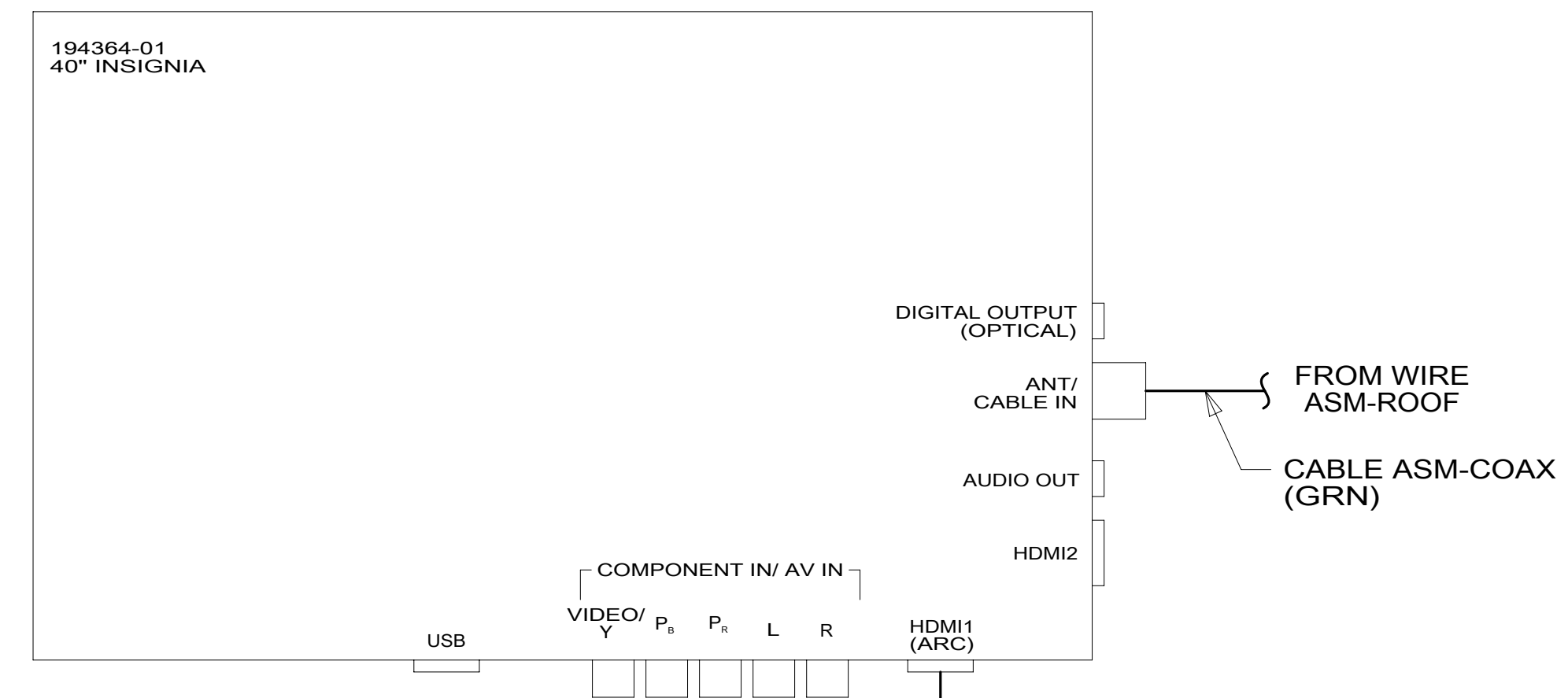
8 7 6 5 4 3 2 1



VIEW BA
(TV NOT SHOWN)



VIEW BB



VIEW BC

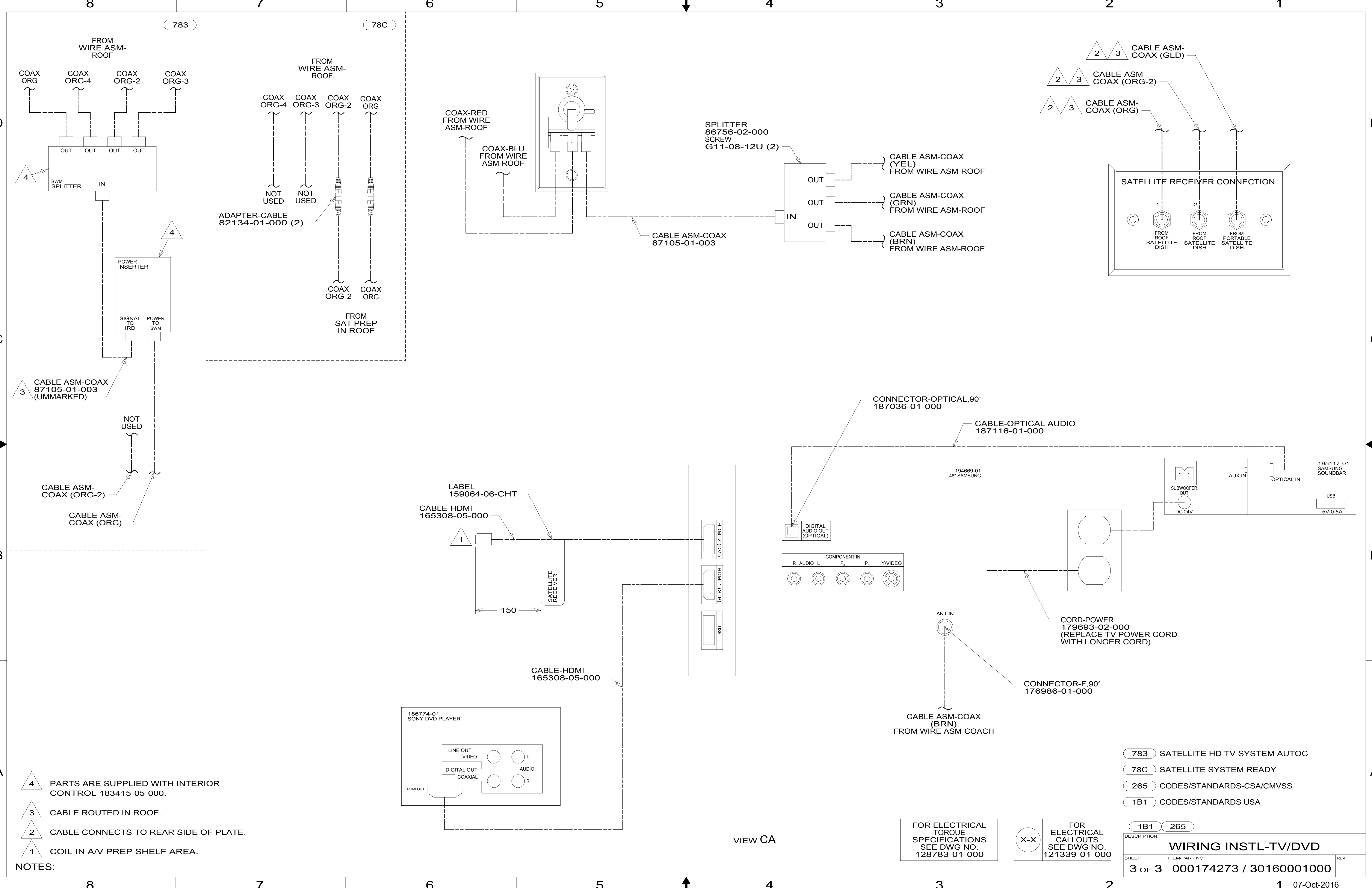
FOR ELECTRICAL TORQUE SPECIFICATIONS SEE DWG NO. 128783-01-000

FOR ELECTRICAL CALLOUTS SEE DWG NO. 121339-01-000

- 265 CODES/STANDARDS-CSA/CMVSS
- 1B1 CODES/STANDARDS USA

DESCRIPTION:		1B1	265
WIRING INSTL-TV/DVD			
SHEET:	ITEM/PART NO.:	REV	
2 OF 3	000174273 / 30160001000		

301600



- NOTES:
- 4 PARTS ARE SUPPLIED WITH INTERIOR CONTROL 183415-05-000.
 - 3 CABLE ROUTED IN ROOF.
 - 2 CABLE CONNECTS TO REAR SIDE OF PLATE.
 - 1 COIL IN AV PREP SHELF AREA.

- 783 SATELLITE HD TV SYSTEM AUTOC
- 78C SATELLITE SYSTEM READY
- 265 CODES/STANDARDS-CSA/CMVSS
- 1B1 CODES/STANDARDS USA

FOR ELECTRICAL TORQUE SPECIFICATIONS SEE DWG NO. 128783-01-000

FOR ELECTRICAL CALLOUTS SEE DWG NO. 121339-01-000

DESCRIPTION:		WIRING INSTL-TV/DVD	
SHEET:	ITEM/PART NO.:	REV	
3 OF 3	000174273 / 30160001000		

301600

VIEW CA