

SECTION AA-AA

- NOTES:
- 2 DRILL 16MM HOLE THROUGH BUMPER COVER BEHIND LICENSE PLATE BRACKET AND INSTALL SENSOR.
 - 1 RUN MONITOR CABLE IN ROOF COVE ON LEFT SIDE OF COACH.

- 152 LG SCREEN-INFOTAIN CTR/GPS
- 265 CODES/STANDARDS-CSA/CMVSS
- 1B1 CODES/STANDARDS USA

- 1B1 265

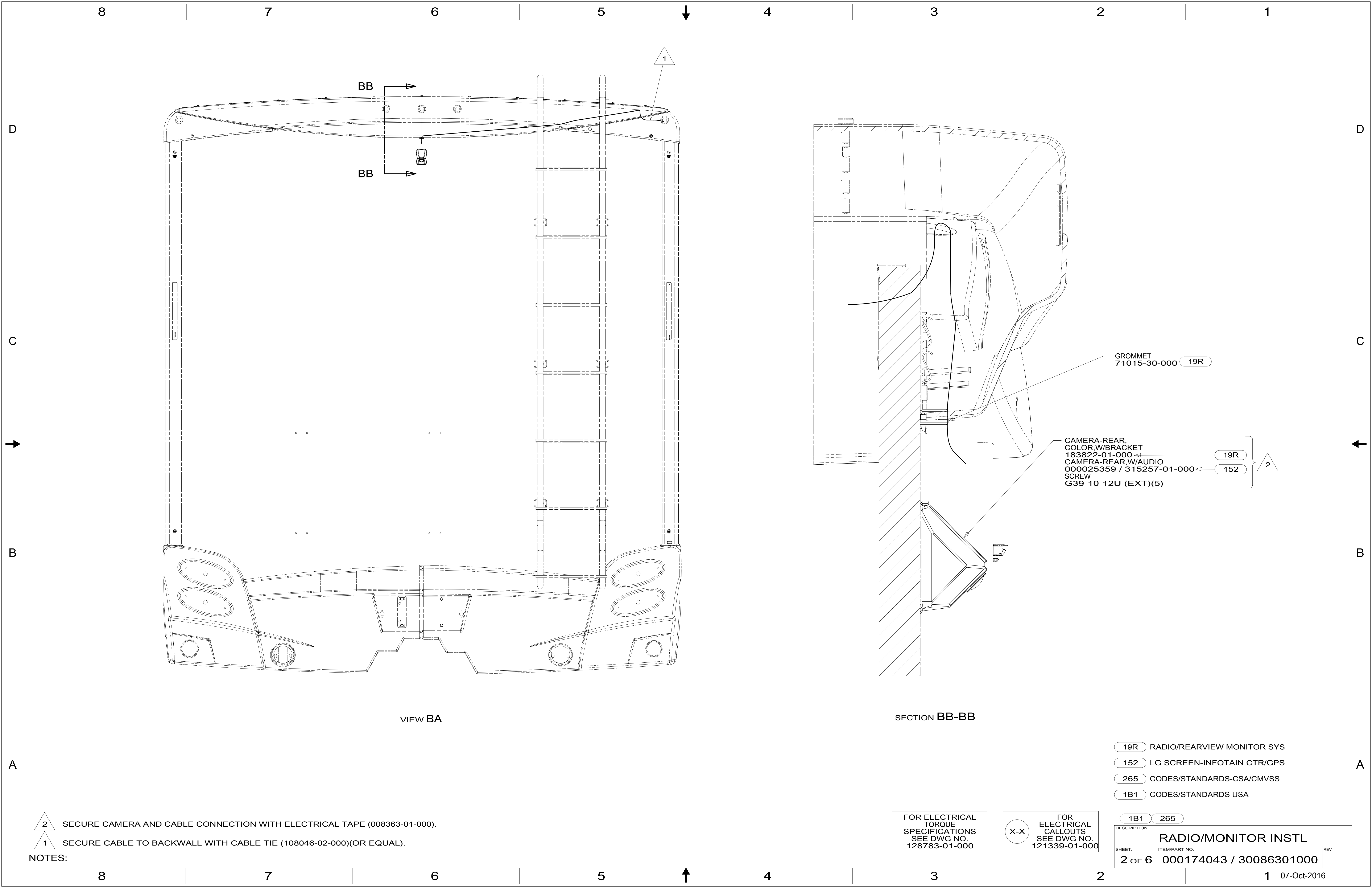


DSNR:	ALL DIMENSIONS ARE IN MILLIMETERS	
DIFFR:	MATERIAL:	
UNSPECIFIED TOLERANCES:		
WHOLE DIM (X)	: 3	
ONE-PLACE (X.X)	: 1.5	
TWO-PLACE (X.XX)	: 0.50	
ANGLE	: 1°	
REFER TO ES0018 FOR FASTENER TIGHTENING GUIDELINES	WEIGHT: (LBS)	FIRST USED: 16 500-SE

FOR ELECTRICAL TORQUE SPECIFICATIONS SEE DWG NO. 128783-01-000

FOR ELECTRICAL CALLOUTS SEE DWG NO. 121339-01-000

DESCRIPTION: RADIO/MONITOR INSTL		
SHEET: 1 OF 6	ITEM/PART NO: 000174043 / 30086301000	REV:
REF:	1	07-Oct-2016



VIEW BA

SECTION BB-BB

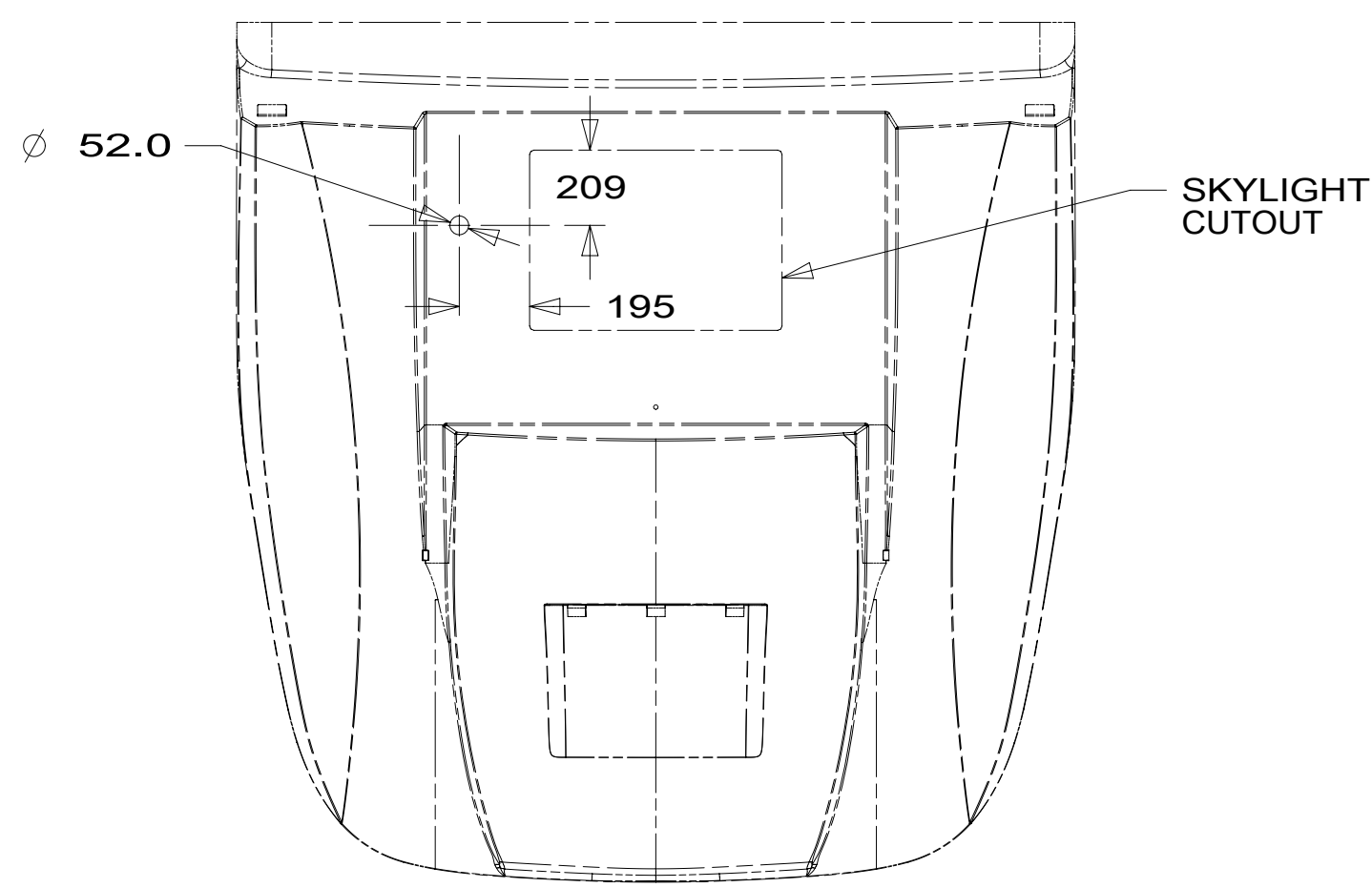
- NOTES:
- 2 SECURE CAMERA AND CABLE CONNECTION WITH ELECTRICAL TAPE (008363-01-000).
 - 1 SECURE CABLE TO BACKWALL WITH CABLE TIE (108046-02-000)(OR EQUAL).

- 19R RADIO/REARVIEW MONITOR SYS
- 152 LG SCREEN-INFOTAIN CTR/GPS
- 265 CODES/STANDARDS-CSA/CMVSS
- 1B1 CODES/STANDARDS USA

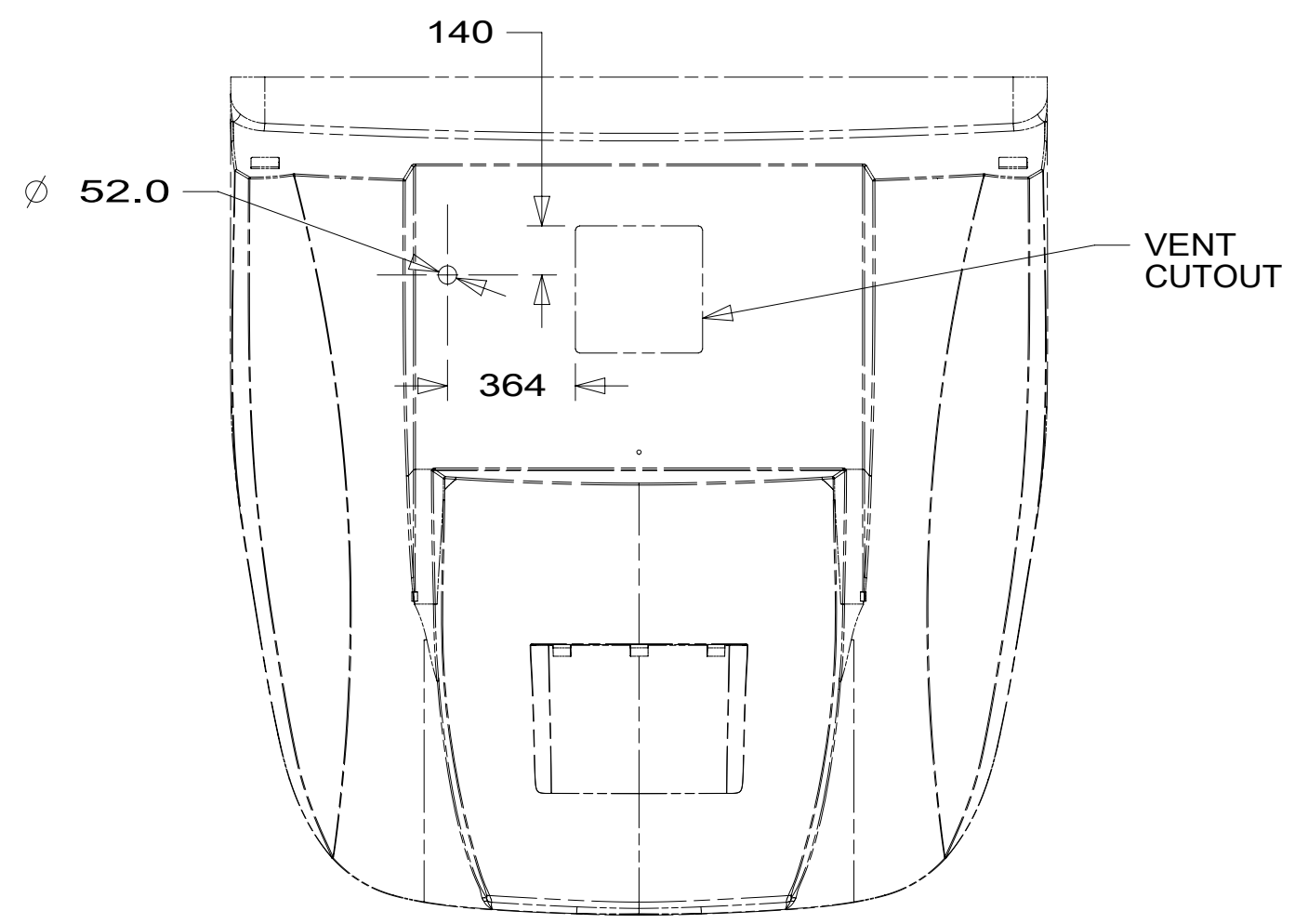
FOR ELECTRICAL TORQUE SPECIFICATIONS SEE DWG NO. 128783-01-000

FOR ELECTRICAL CALLOUTS SEE DWG NO. 121339-01-000

DESCRIPTION:	1B1 265	
RADIO/MONITOR INSTL		
SHEET:	ITEM/PART NO:	REV
2 OF 6	000174043 / 30086301000	

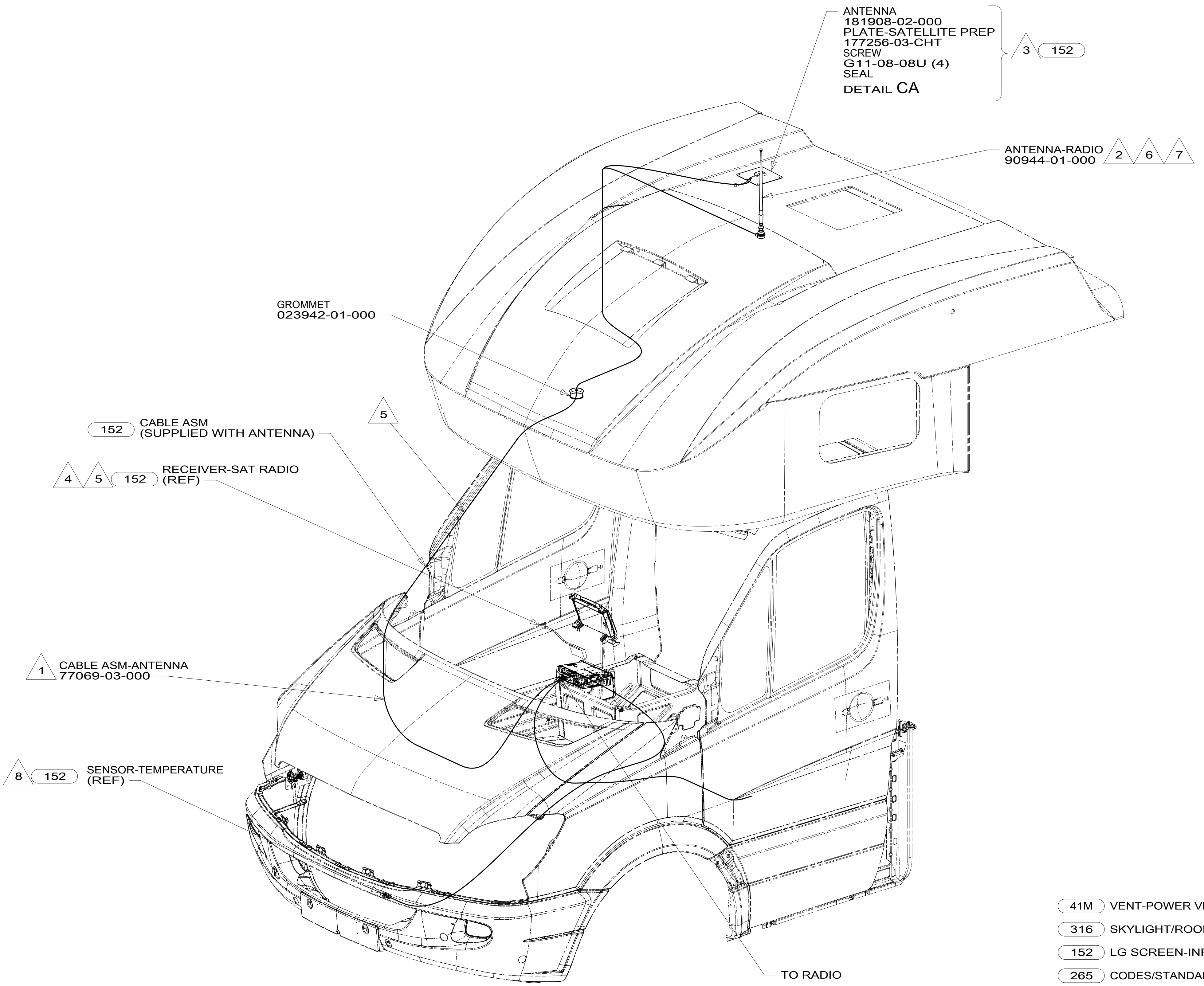


DETAIL CA 152 AND 316



DETAIL CA 152 AND 41M

- NOTES:**
- 8 DRILL 16MM HOLE THROUGH BUMPER COVER BEHIND LICENSE PLATE BRACKET AND INSTALL SENSOR.
 - 7 CUT AND REMOVE A 75MM X 75MM AREA OF THE ALUMINUM INSULATION, CENTERED ABOUT THE RADIO ANTENNA ROOF CAP.
 - 6 REMOVE AND REINSTALL AFTER PAINT.
 - 5 ROUTE SATELLITE RADIO ANTENNA CABLE FROM THE DASH UP A-PILLAR TO ROOF CAP.
 - 4 CONNECT UNILINK CABLE SUPPLIED WITH SATELLITE RECEIVER BETWEEN DASH RADIO AND SATELLITE RECEIVER UNDER PASSENGER SEAT ROUTE I-POD CABLE TO TRAY ABOVE DASH RADIO.
 - 3 MOUNT ANTENNA SUCH THAT BASE IS SQUARE W/REAR OF ROOF CAP & CENTER HOLE OF ANTENNA DIRECTLY OVER HOLE IN FIBERGLASS. SEAL HOLE, BASE, AND SCREWS.
 - 2 SEAL AROUND ANTENNA BASE.
 - 1 ROUTE RADIO ANTENNA CABLE FROM DASH RADIO UNDER DASH UP PASSENGER SIDE A-PILLAR TO ROOF CAP.



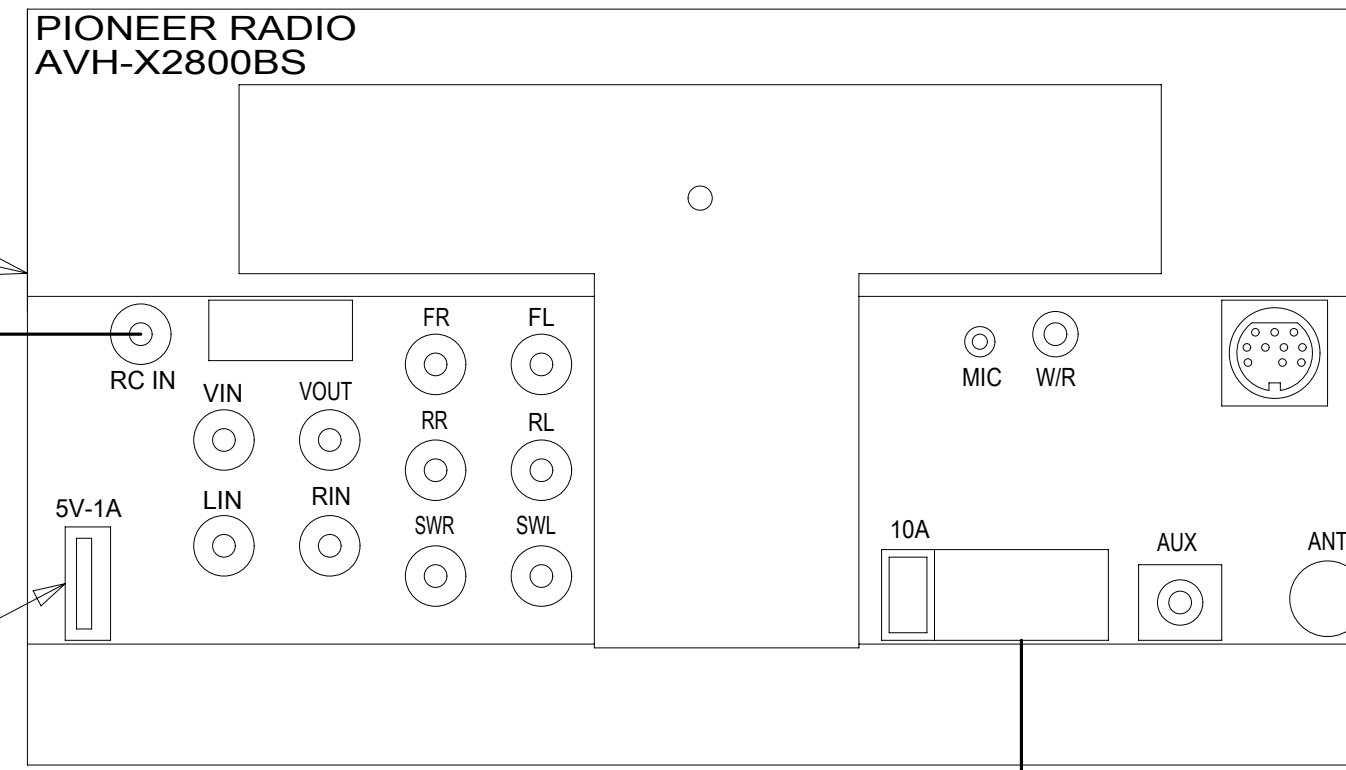
FOR ELECTRICAL TORQUE SPECIFICATIONS SEE DWG NO. 128783-01-000

FOR ELECTRICAL CALLOUTS SEE DWG NO. 121339-01-000

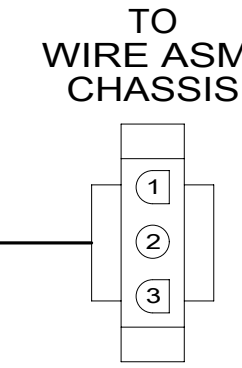
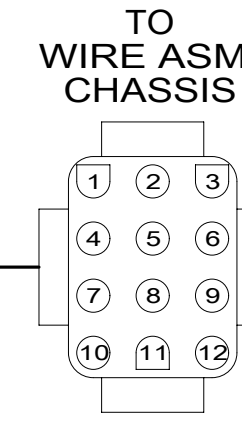
- 41M VENT-POWER VENTILATOR
- 316 SKYLIGHT/ROOF VENT, POWER
- 152 LG SCREEN-INFOTAIN CTR/GPS
- 265 CODES/STANDARDS-CSA/CMVSS
- 1B1 CODES/STANDARDS USA

DESCRIPTION:		1B1 265	
RADIO/MONITOR INSTL			
SHEET:	ITEM/PART NO.:	REV:	
3 OF 6	000174043 / 30086301000		

RADIO-AM/FM/DVD,
TOUCH,2-DIN
000014453 / 311897-01-000
BRACKET
178610-01-000
APPLIQUE-RADIO
185341-01-CHT
KIT-RADIO
176654-08-000

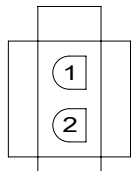
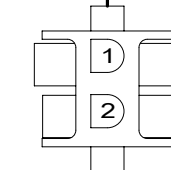


HARNESS-RADIO,12 PIN
183820-19-000



BLUE/WHITE WIRE

BUTT SPLICE TO
FN CIRCUIT ON
WIRE ASM-CHASSIS



HARNESS-CAMERA ADAPTER
183820-03-000

CABLE-CAMERA,20M
183822-02-000

TO
REAR
CAMERA

1 PLUG USB CABLE SUPPLIED WITH RADIO INTO LEAD ON BACK OF RADIO MARKED 'USB'. ROUTE CABLE TO THE LEFT OF RADIO. WIRE TIE EXCESS CABLE UNDER DASH IN THE AREA LEFT OF THE RADIO. LEAVE 200 MM OF CABLE IN THE MOTOR COVER BEVERAGE TRAY. MAKE SURE CABLE DOES NOT GET PINCHED BY MOTOR COVER.

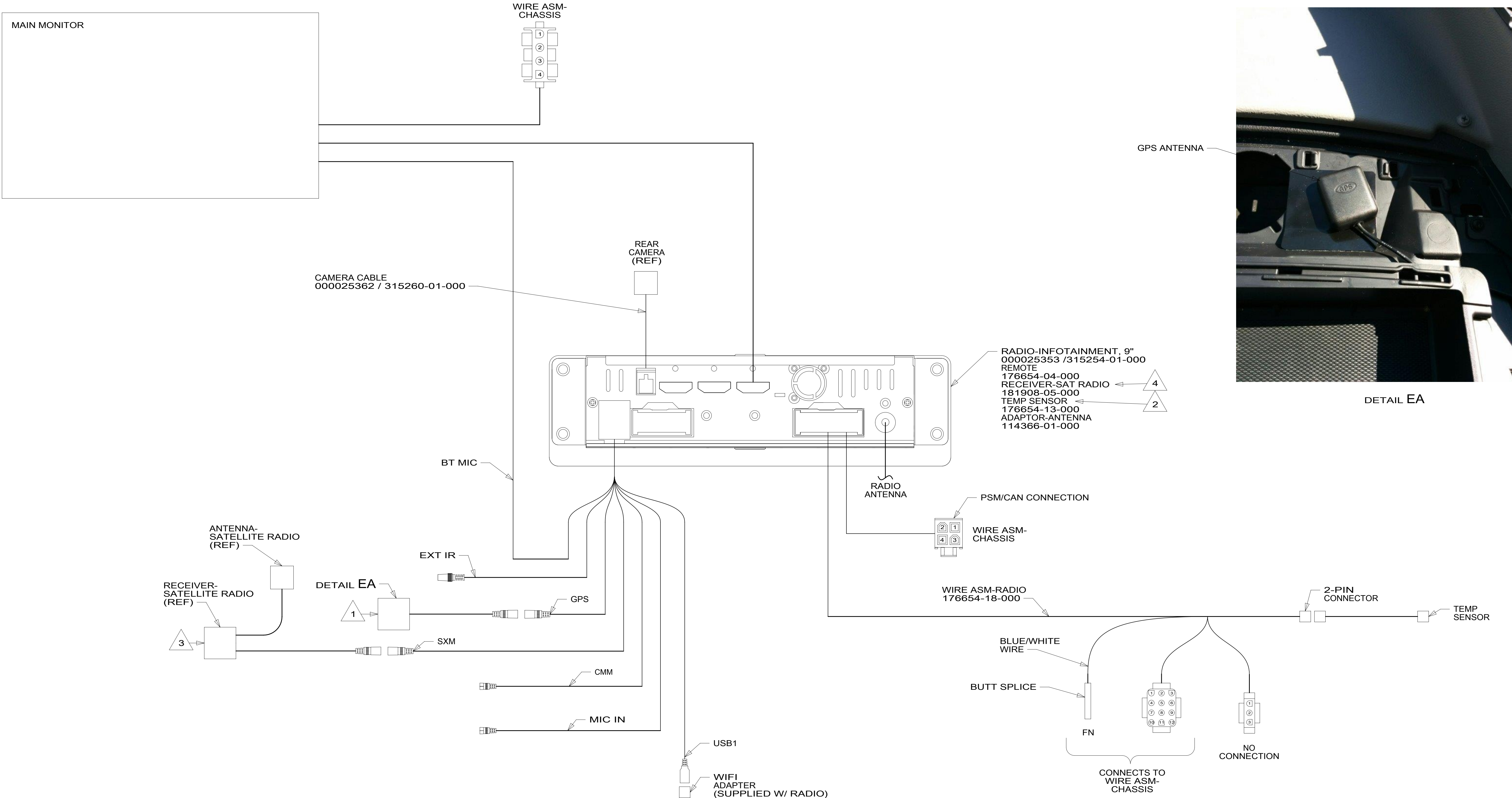
NOTES:

FOR ELECTRICAL
TORQUE
SPECIFICATIONS
SEE DWG NO.
128783-01-000

FOR
ELECTRICAL
CALLOUTS
SEE DWG NO.
121339-01-000

- 19R RADIO/REARVIEW MONITOR SYS
- 265 CODES/STANDARDS-CSA/CMVSS
- 1B1 CODES/STANDARDS USA

DESCRIPTION:	1B1 265 19R	
RADIO/MONITOR INSTL		
SHEET:	ITEM/PART NO:	REV
4 OF 6	000174043 / 30086301000	



DETAIL EA

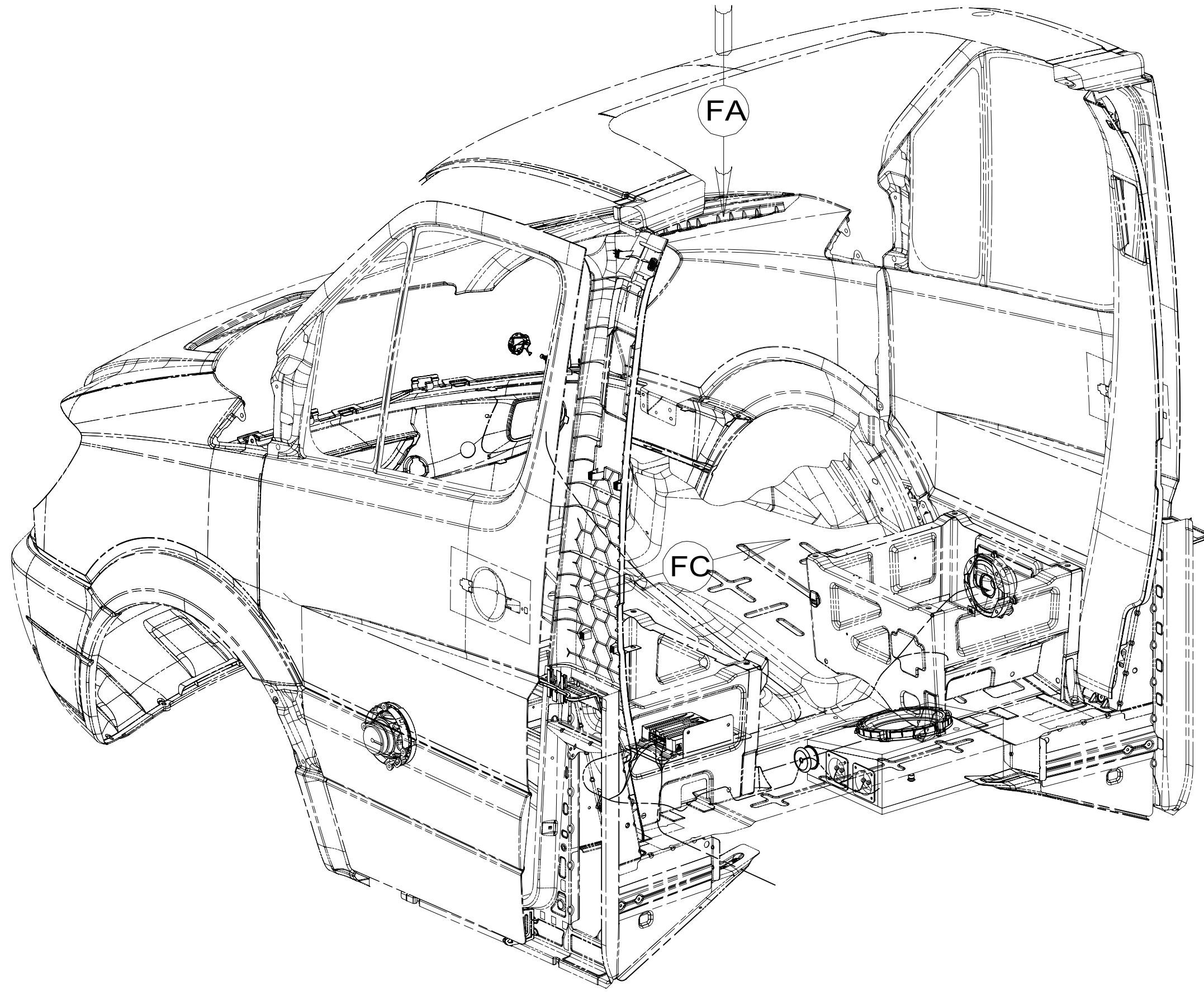
- NOTES:
- 4 WIRE TIE TO DASH RADIO WIRING BEHIND THE RADIO.
 - 3 PLUG CABLE INTO LEAD ON BACK OF RADIO.
 - 2 SEE SHT 2 FOR ADDITIONAL INFORMATION.
 - 1 MOUNT GPS ANTENNA TO TOP OF DEFROST PLENUM BEHIND RADIO.

- 152 LG SCREEN-INFOTAIN CTR/GPS
- 265 CODES/STANDARDS-CSA/CMVSS
- 1B1 CODES/STANDARDS USA

FOR ELECTRICAL TORQUE SPECIFICATIONS SEE DWG NO. 128783-01-000

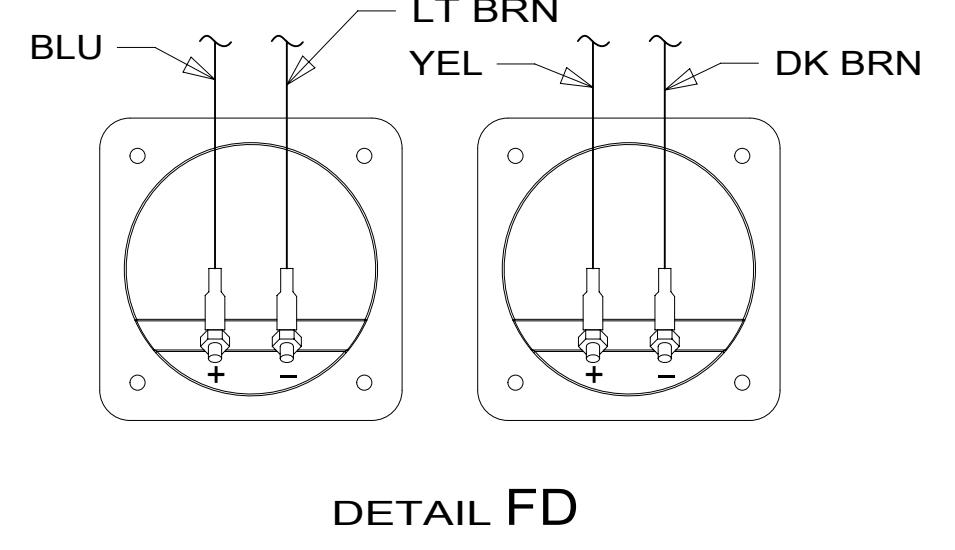
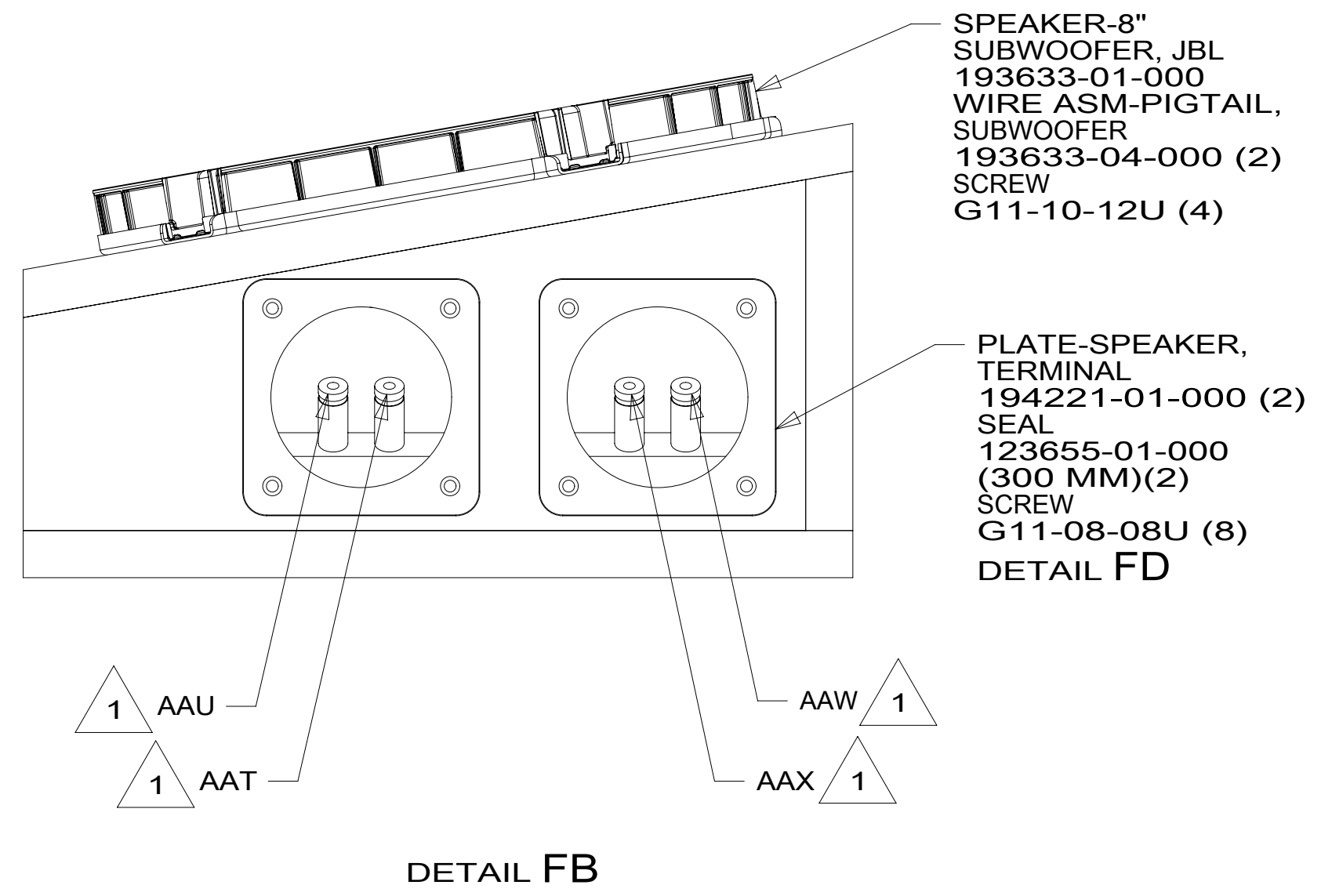
FOR ELECTRICAL CALLOUTS SEE DWG NO. 121339-01-000

DESCRIPTION:	1B1 265 152	
RADIO/MONITOR INSTL		
SHEET:	ITEM/PART NO:	REV
5 OF 6	000174043 / 30086301000	



LOGO-JBL
302951-01-000 (2) 4

VIEW FC



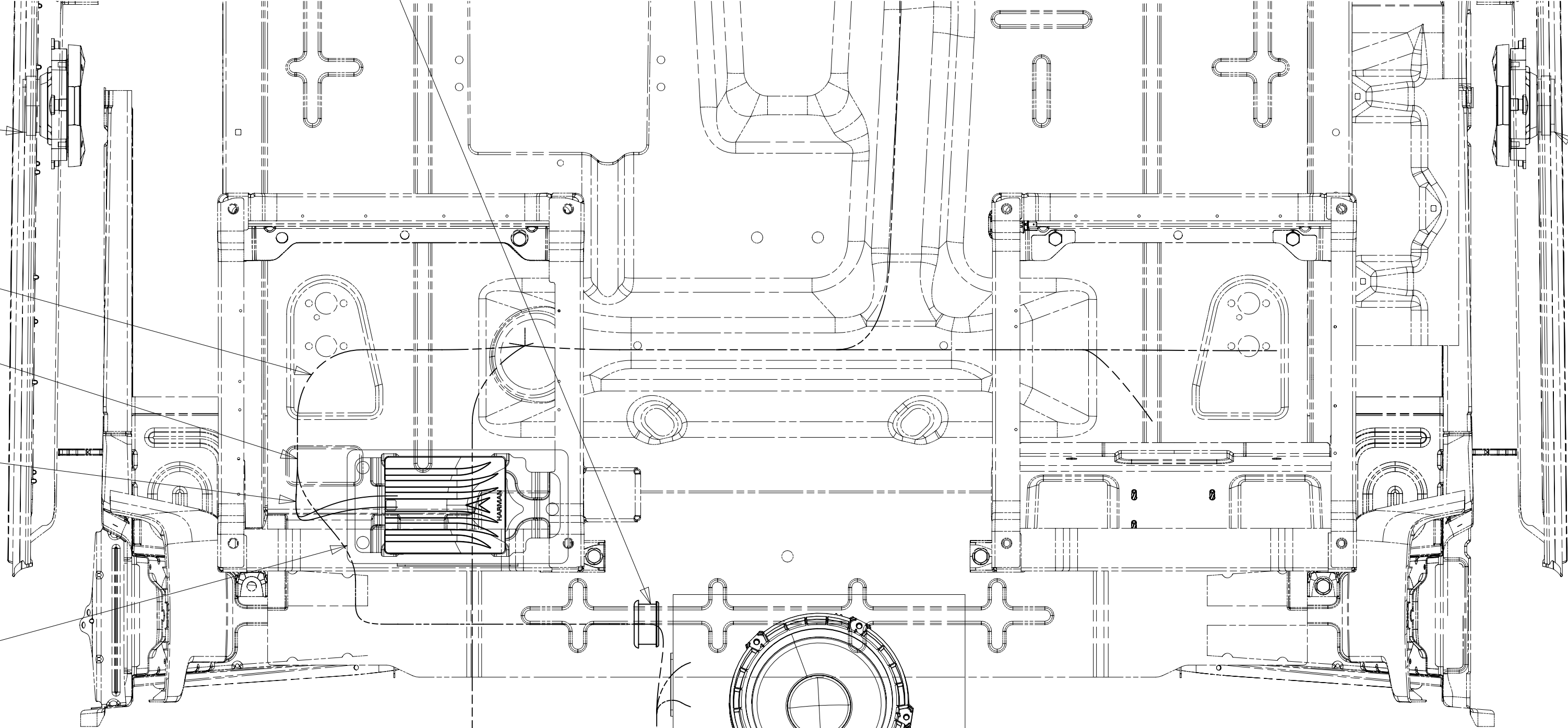
2 SPEAKER-5.25", MIDRANGE, JBL
194529-01-000
SPACER-SPEAKER
194873-01-000
ADAPTER-SPEAKER, SPRINTER
194530-01-000

WIRE ASM-CHASSIS (REFERENCE)

3 WIRE ASM-AMP, INPUT
194532-01-000
WIRE ASM-AMP, OUTPUT
194532-02-000

AMPLIFIER-PREMIUM AUDIO, 500
194527-01-000
PANEL-AMPLIFIER
195229-01-CHT
RIVET
165072-01-CHT (3)
NUT
OMD54F-06-000 (2)

GROMMET
023942-01-000



2 SPEAKER-5.25", MIDRANGE, JBL
194529-01-000
SPACER-SPEAKER
194873-01-000
ADAPTER-SPEAKER, SPRINTER
194530-01-000

BOX ASM-SPEAKER, SUB WOOFER
194555-01-XXX
DETAIL FB

VIEW FA

4 CENTER ON BOTTOM OF SPEAKER GRILL ON DOOR PANEL.
CLEAN SURFACE WITH PROMOTER 087211-01-000.

3 WITH 57P
CONNECT 15 PIN HSGS FROM WIRE ASM-CHASSIS TO WIRE ASM-AMP
WITHOUT 57P
CONNECT 15 PIN HSGS IN WIRE ASM-CHASSIS TOGETHER.

2 REPLACE FACTORY DOOR SPEAKER WITH SPEAKER CALLED OUT.

1 WIRE IS PART OF WIRE ASM-CHASSIS.

NOTES:

- 57P RADIO SPEAKERS-PREMIUM SOUND
- 265 CODES/STANDARDS-CSA/CMVSS
- 1B1 CODES/STANDARDS USA

FOR ELECTRICAL TORQUE SPECIFICATIONS SEE DWG NO. 128783-01-000

FOR ELECTRICAL CALLOUTS SEE DWG NO. 121339-01-000

DESCRIPTION: RADIO/MONITOR INSTL		
SHEET: 6 OF 6	ITEM/PART NO.: 000174043 / 30086301000	REV