

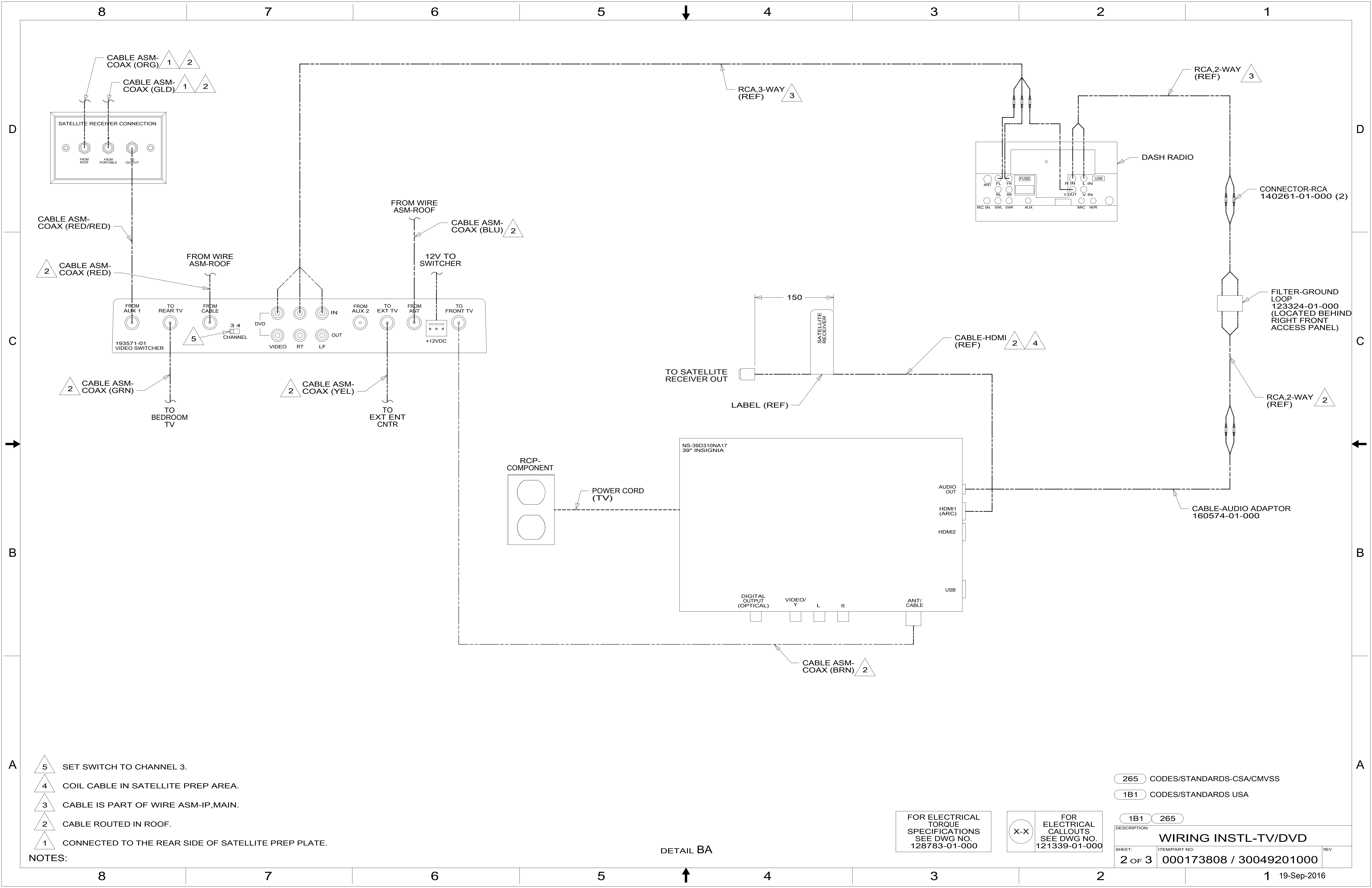
- (68Y) TV - MAIN
- (265) CODES/STANDARDS-CSA/CMVSS
- (1B1) CODES/STANDARDS USA

WINNEBAGO COPYRIGHT 2016 WINNEBAGO INDUSTRIES, INC.	
DSNR:	ALL DIMENSIONS ARE IN MILLIMETERS
DFFR:	
UNSPECIFIED TOLERANCES:	MATERIAL:
WHOLE DIM (X) : 3	
ONE-PLACE (X.X) : 1.5	
TWO-PLACE (X.XX) : 0.50	
ANGLE : 1°	
REFER TO ES0018 FOR FASTENER TIGHTENING GUIDELINES	WEIGHT: (LBS) FIRST USED: 16 E35F
DESCRIPTION: WIRING INSTL-TV/DVD	
SHEET: 1 OF 3	ITEM/PART NO: 000173808 / 30049201000
REF:	1 19-Sep-2016

FOR ELECTRICAL TORQUE SPECIFICATIONS SEE DWG NO. 128783-01-000

(X-X) FOR ELECTRICAL CALLOUTS SEE DWG NO. 121339-01-000

1 ROUTE 1 TRANSMITTER TO EACH SIDE AND COIL FOR FUTURE USE.



- NOTES:
- 5 SET SWITCH TO CHANNEL 3.
 - 4 COIL CABLE IN SATELLITE PREP AREA.
 - 3 CABLE IS PART OF WIRE ASM-IP.MAIN.
 - 2 CABLE ROUTED IN ROOF.
 - 1 CONNECTED TO THE REAR SIDE OF SATELLITE PREP PLATE.

265 CODES/STANDARDS-CSA/CMVSS
 1B1 CODES/STANDARDS USA

FOR ELECTRICAL TORQUE SPECIFICATIONS SEE DWG NO. 128783-01-000

X-X FOR ELECTRICAL CALLOUTS SEE DWG NO. 121339-01-000

DESCRIPTION:	
1B1 265	
WIRING INSTL-TV/DVD	
SHEET:	ITEM/PART NO:
2 OF 3	000173808 / 30049201000
REV	

DETAIL BA

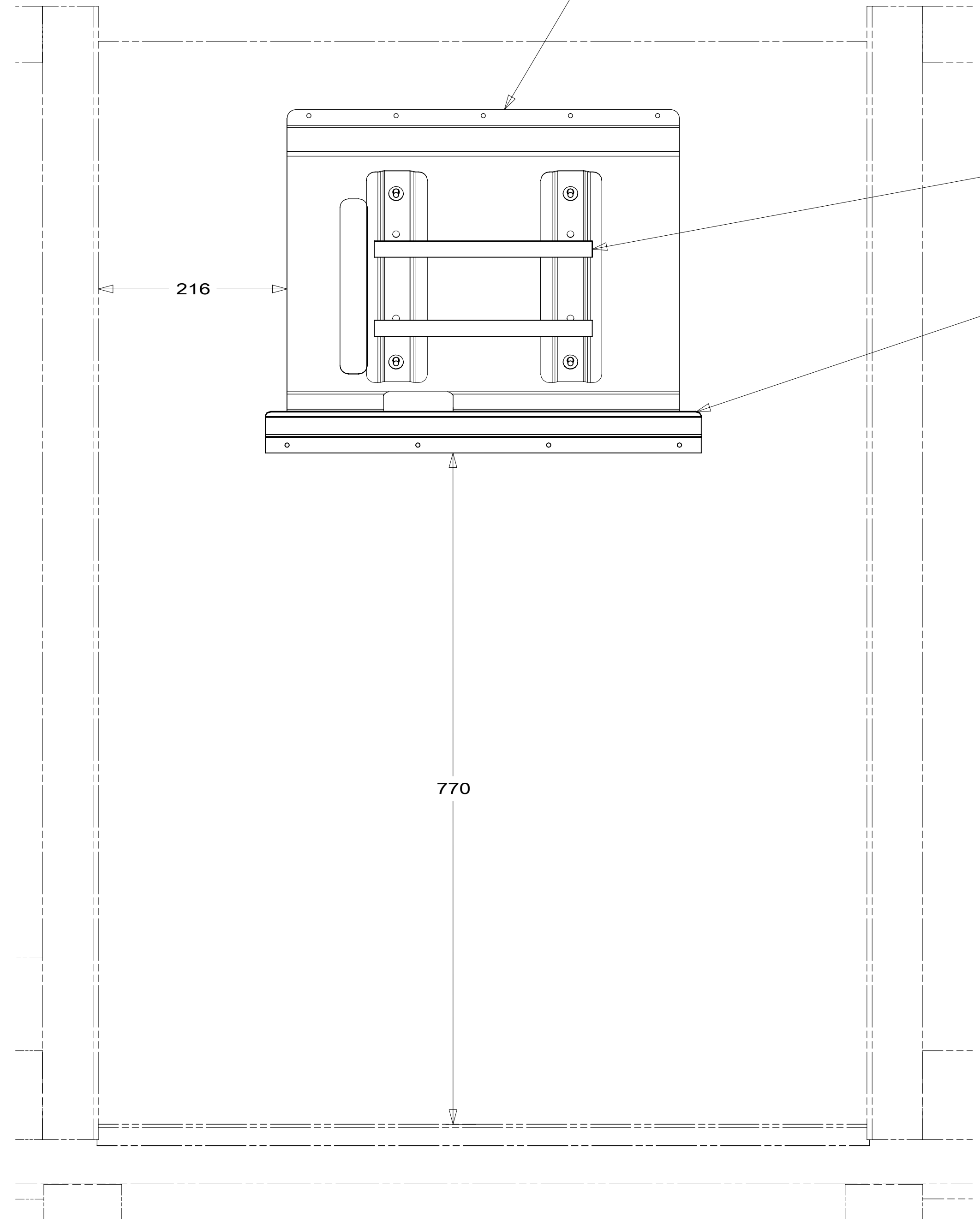
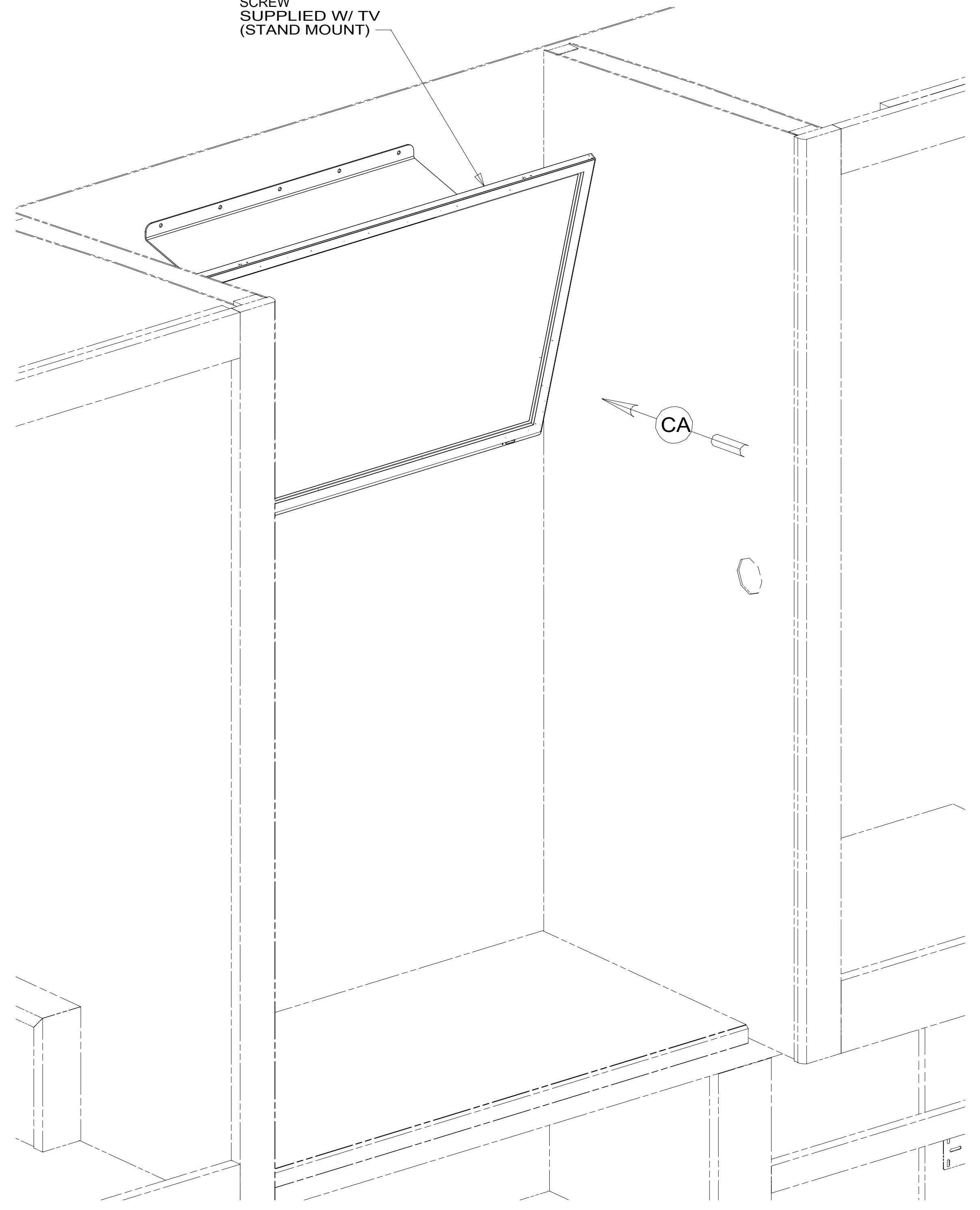
8 7 6 5 4 3 2 1

TV-32", FLAT
 PANEL DLED, HDTV
 194849-01-000
 SCREW
 0MG02U-06-016 (4)
 WASHER
 000E13-14-00U (4)
 (VESA MOUNT)
 SCREW
 SUPPLIED W/ TV
 (STAND MOUNT)

BRACKET-MOUNTING, TV
 195015-01-CHT
 BRACKET-MOUNTING, TV
 195044-01-CHT (2)
 SCREW
 000G39-10-16U (5)

TAPE-FOAM
 76322-22-000
 (250 MM) (2) 1

CLIP-TRIM
 130034-04-CHT
 SCREW
 000G39-10-16U (4)



VIEW CA
 (TV NOT SHOWN)

1 PREP SURFACE WITH 87211-01-000.

NOTES:

FOR ELECTRICAL
 TORQUE
 SPECIFICATIONS
 SEE DWG NO.
 128783-01-000

X-X FOR
 ELECTRICAL
 CALLOUTS
 SEE DWG NO.
 121339-01-000

- 68X TV - BEDROOM
- 265 CODES/STANDARDS-CSA/CMVSS
- 1B1 CODES/STANDARDS USA

1B1 265 68X		
DESCRIPTION: WIRING INSTL-TV/DVD		
SHEET:	ITEM/PART NO.:	REV:
3 OF 3	000173808 / 30049201000	

8 7 6 5 4 3 2 1 19-Sep-2016