

- 12. REQUIRES 5 GALLONS RV ANTIFREEZE 182955-01-000 PER TOILET. FOLLOW TECMA TOILET WINTERIZATION PROCEDURE.
- 11. GLUE FITTING AFTER CABINET IS INSTALLED.
- 10. APPLY PRIMER 126427-02-000 AND CEMENT 126427-01-000 BETWEEN ELBOW AND FLEX PIPE.
- 9. SEE DRAWING 061607 FOR INSTALLATION OF GROMMETS.
- 8. SECURE DRAINAGE PIPES TO CABINET USING WIRE TIE 108046-02-000, AND SCREW 000G67-10-12U AT INTERVALS OF NOT OF NOT MORE THAN 4 FEET APART.
- 7. SECURE VENT PIPE TO GROMMET WITH CLAMP 062401-02-000.
- 6. VENT PIPE MUST PROJECT 51 MIN AND 64 MAX ABOVE ROOF FOR PROPER FIT AND FUNCTION. ADD S-1 (116666-01-CHT SEAL-VENT PIPE) AROUND PIPE ON ROOF BEFORE VENT CAP IS INSTALLED.
- 5. SEAL AROUND SHOWER WITH SILICONE.
- 4. USE SMOOTH PLUMBERS PUTTY 167459-01-000 TO SEAL STRAINER (0.2 PER STRAINER).
- 3. ALL PIPE AND FITTINGS TO BE ASSEMBLED WITH SOLVENT 004020-01-000 (USA), 004020-02-000 (CAN)
- 2. SLOPE OF TRAP ARM MUST BE 6 PER 305 mm.
- 1. SLOPE OF HORIZONTAL PIPING TO BE MINIMUM OF 3 PER 305 mm.

- 9PC TAILGATE PACKAGE
- 1B1 CODES/STANDARDS USA
- 265 CODES/STANDARDS-CSA/CMVSS

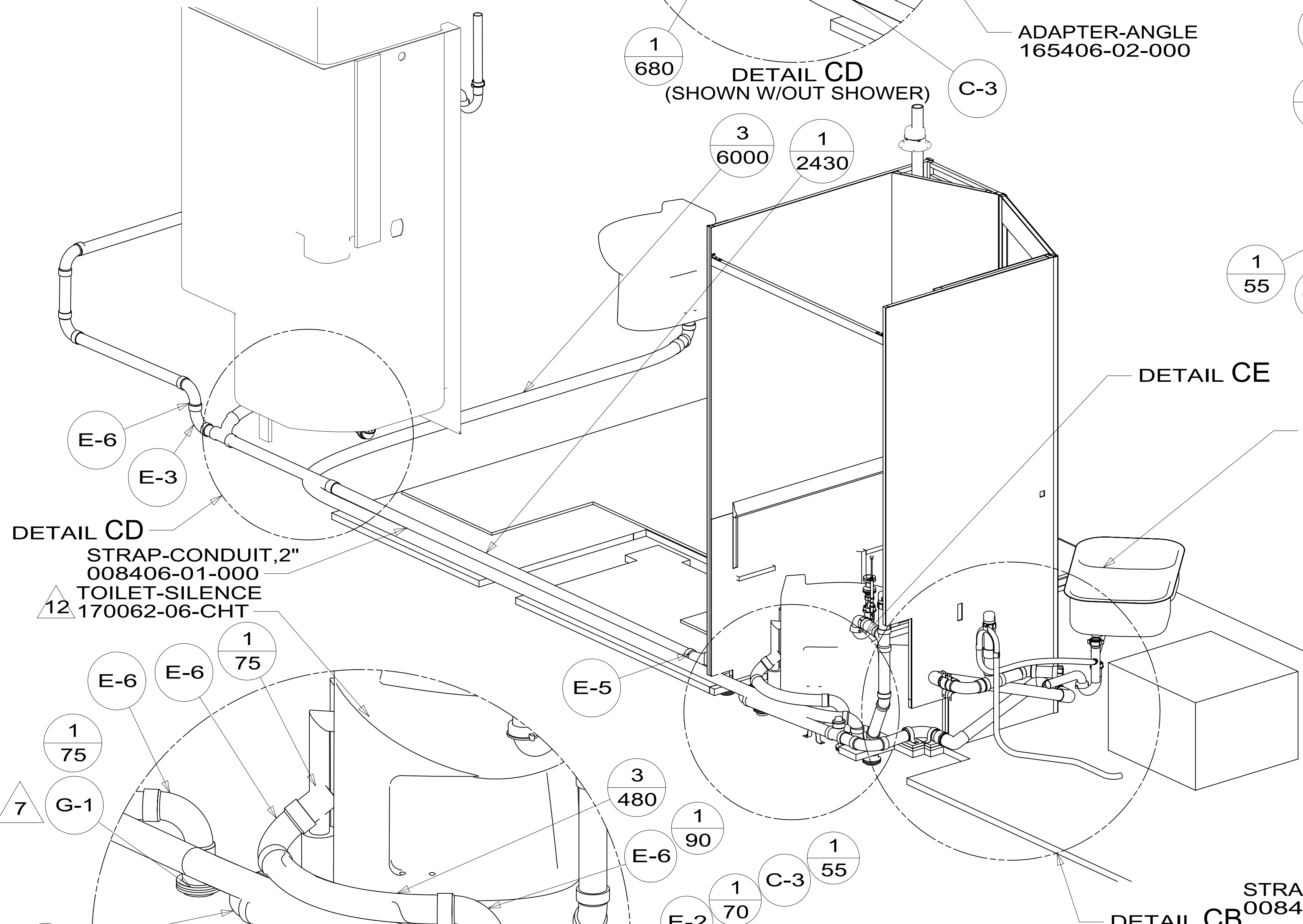
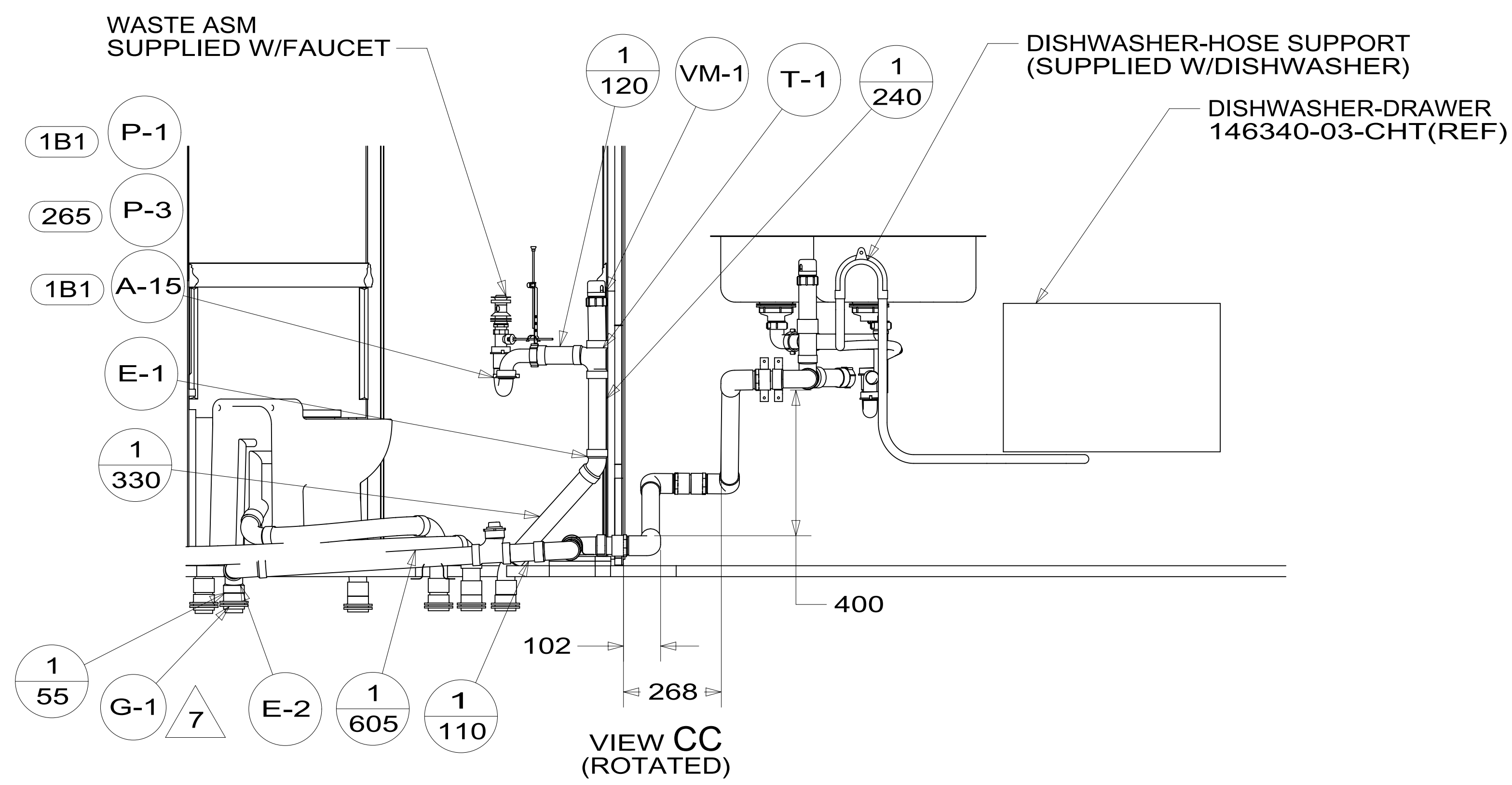
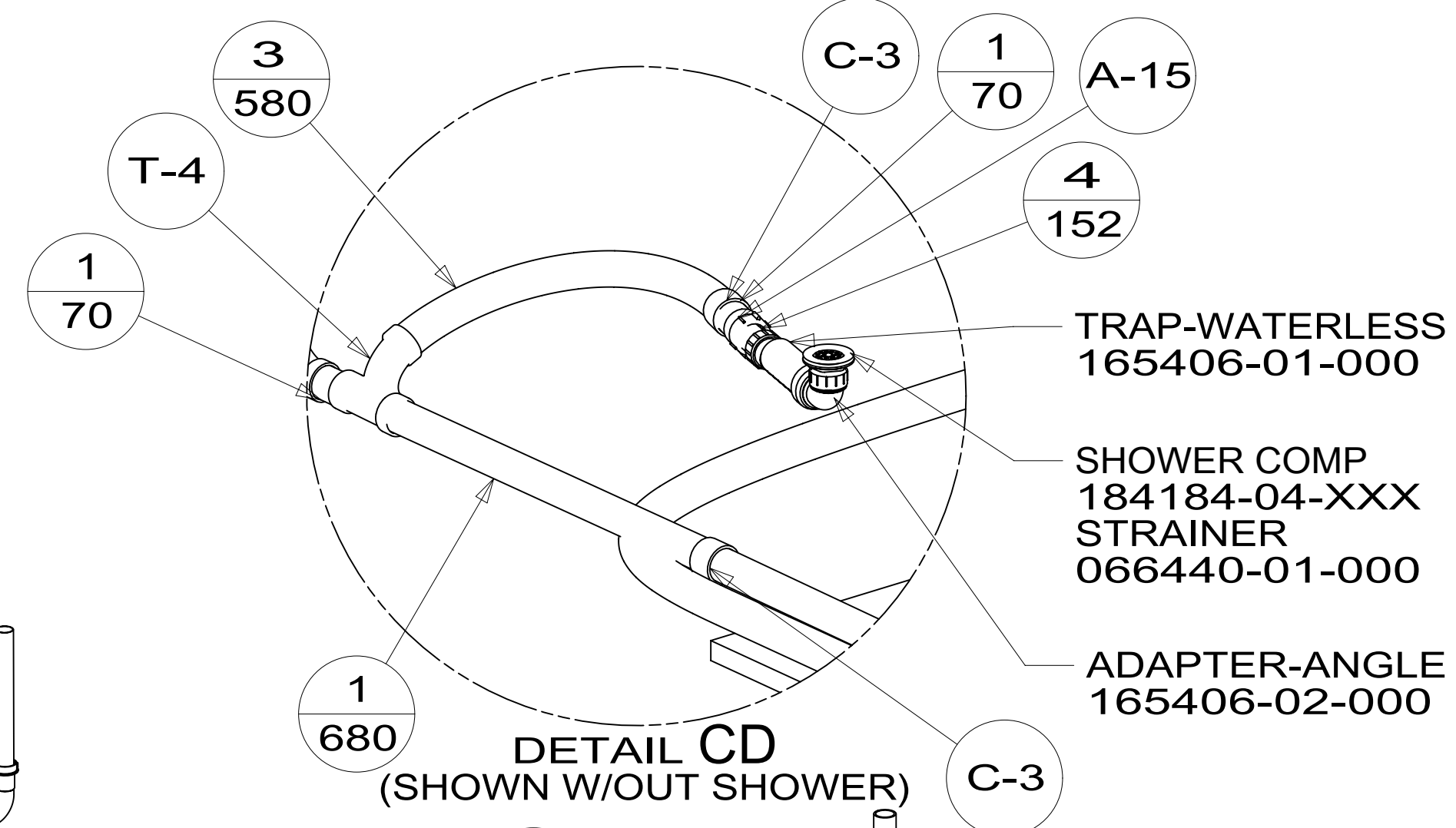
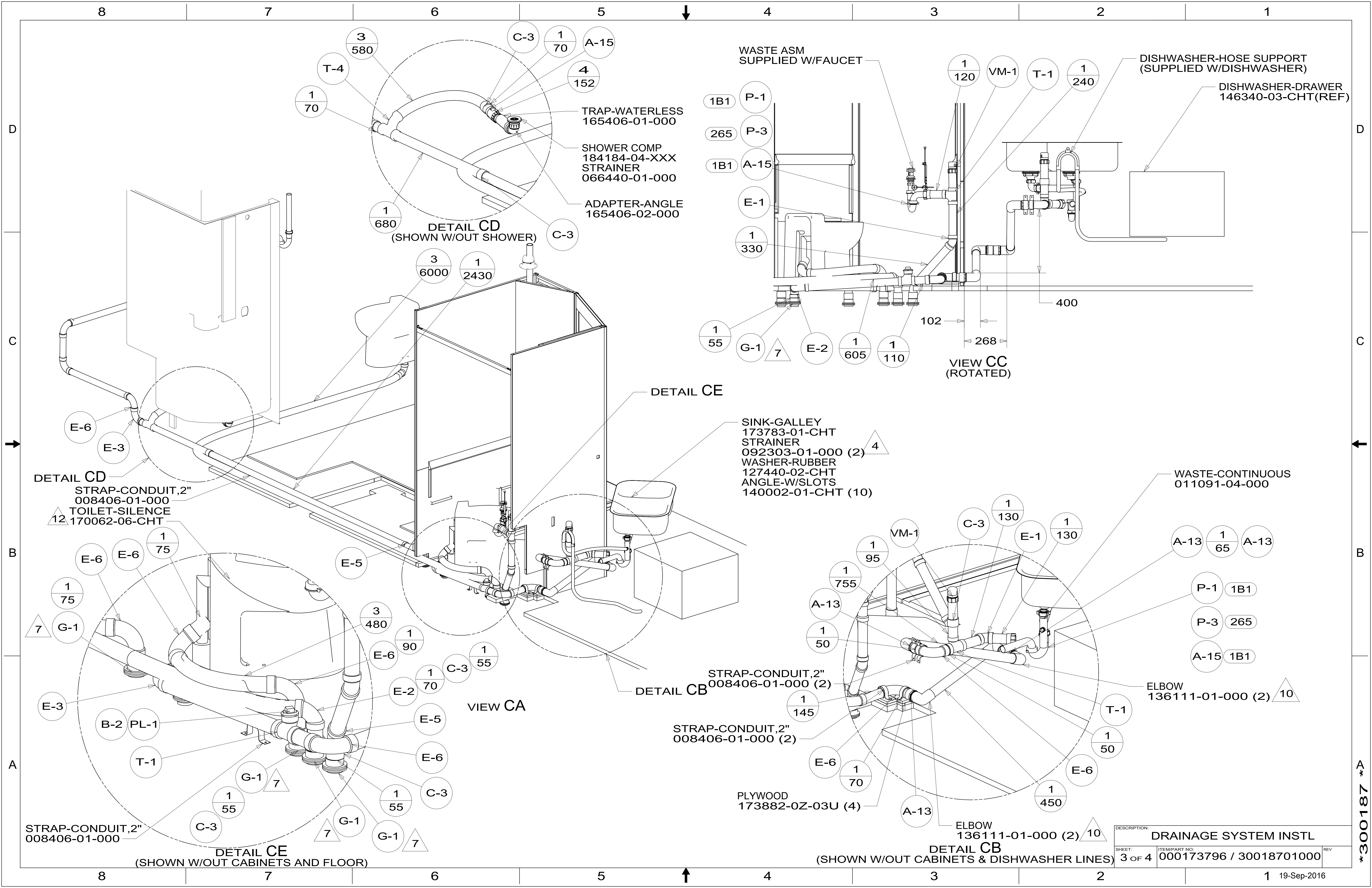
**WINNEBAGO**  
COPYRIGHT 2016 WINNEBAGO INDUSTRIES, INC.

UNSPECIFIED TOLERANCES:		MATERIAL:	
WHOLE DIM (X)	3		
ONE-PLACE (X.X)	1.5		
TWO-PLACE (X.XX)	0.50		
ANGLE	1°		
REFER TO ES0018 FOR FASTENER TIGHTENING GUIDELINES		WEIGHT: (LBS)	FIRST USED: (REF)
<b>DESCRIPTION:</b>			
<b>DRAINAGE SYSTEM INSTL</b>			
SHEET:	ITEM/PART NO.:	REV:	
1 OF 4	000173796 / 30018701000		

X-X  
FOR DRAINAGE CALLOUTS SEE DWG NO. 000211962 / 303370-01-000

\*300187\*





DETAIL CD  
STRAP-CONDUIT,2"  
008406-01-000  
TOILET-SILENCE  
12 170062-06-CHT

STRAP-CONDUIT,2"  
008406-01-000

DETAIL CE  
(SHOWN W/OUT CABINETS AND FLOOR)

STRAP-CONDUIT,2"  
008406-01-000 (2)

DETAIL CB  
(SHOWN W/OUT CABINETS & DISHWASHER LINES)

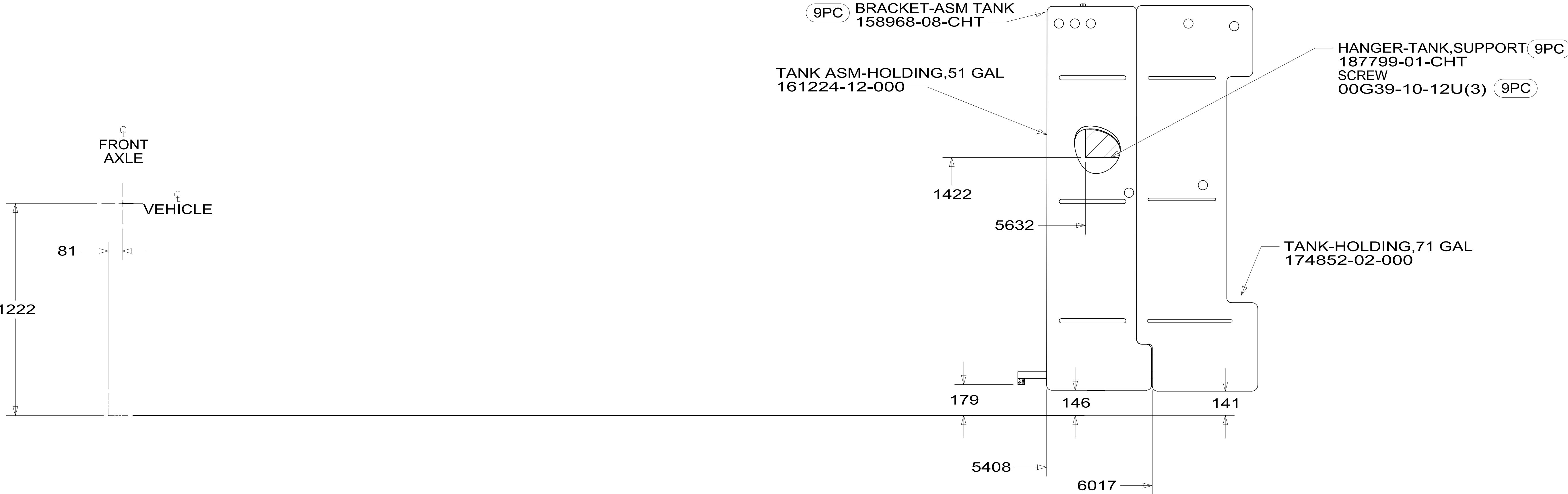
ELBOW  
136111-01-000 (2)

ELBOW  
136111-01-000 (2)

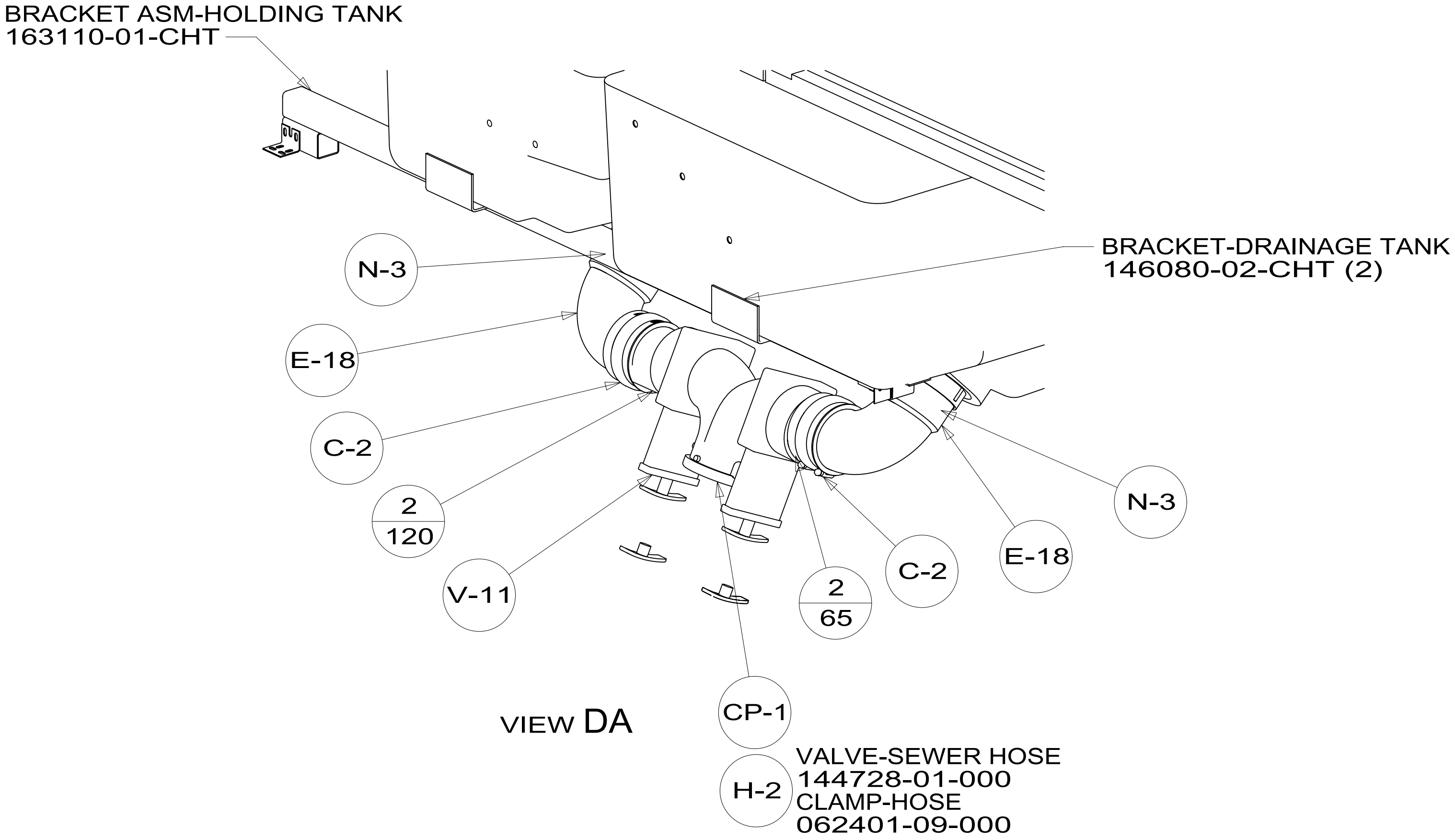
DESCRIPTION:		DRAINAGE SYSTEM INSTL	
SHEET:	3 OF 4	ITEM/PART NO.:	000173796 / 30018701000
		REV	

\*300187\*

8 7 6 5 4 3 2 1



### TOP VIEW SHOWING TANKS AND DRAINS



DESCRIPTION: <b>DRAINAGE SYSTEM INSTL</b>		
SHEET: <b>4 OF 4</b>	ITEM/PART NO: <b>000173796 / 30018701000</b>	REV
19-Sep-2016		

\*300187\*