

- 12. REQUIRES 5 GALLONS RV ANTIFREEZE 182955-01-000 PER TOILET. FOLLOW TECMA TOILET WINTERIZATION PROCEDURE.
- 11. GLUE FITTING AFTER CABINET IS INSTALLED.
- 10. APPLY PRIMER 126427-02-000 AND CEMENT 126427-01-000 BETWEEN ELBOW AND FLEX PIPE.
- 9. SEE DRAWING 061607 FOR INSTALLATION OF GROMMETS.
- 8. SECURE DRAINAGE PIPES TO CABINET USING WIRE TIE 108046-02-000, AND SCREW 000G67-10-12U AT INTERVALS OF NOT OF NOT MORE THAN 4 FEET APART.
- 7. SECURE VENT PIPE TO GROMMET WITH CLAMP 062401-02-000.
- 6. VENT PIPE MUST PROJECT 51 MIN AND 64 MAX ABOVE ROOF FOR PROPER FIT AND FUNCTION. ADD S-1 (116666-01-CHT SEAL-VENT PIPE) AROUND PIPE ON ROOF BEFORE VENT CAP IS INSTALLED.
- 5. SEAL AROUND SHOWER WITH SILICONE.
- 4. USE SMOOTH PLUMBERS PUTTY 167459-01-000 TO SEAL STRAINER (0.2 PER STRAINER).
- 3. ALL PIPE AND FITTINGS TO BE ASSEMBLED WITH SOLVENT 004020-01-000 (USA), 004020-02-000 (CAN)
- 2. SLOPE OF TRAP ARM MUST BE 6 PER 305 mm.
- 1. SLOPE OF HORIZONTAL PIPING TO BE MINIMUM OF 3 PER 305 mm.

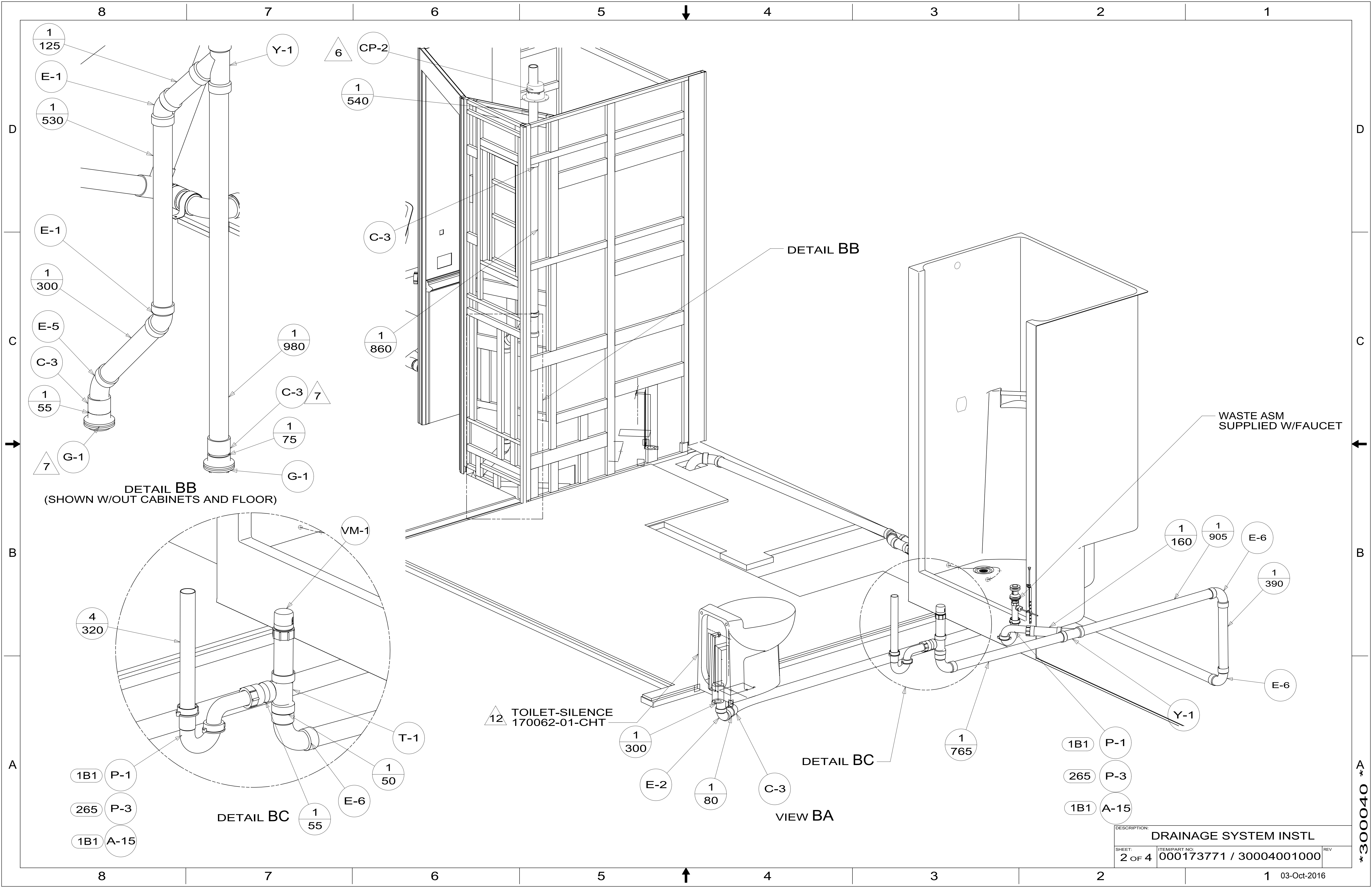
- 9PC TAILGATE PACKAGE
- 9PA TAILGATE PACKAGE WITHOUT
- 1B1 CODES/STANDARDS USA
- 265 CODES/STANDARDS-CSA/CMVSS

WINNEBAGO
COPYRIGHT 2016 WINNEBAGO INDUSTRIES, INC.

DSNR:		ALL DIMENSIONS ARE IN MILLIMETERS	
DIFTR:			
UNSPECIFIED TOLERANCES:		MATERIAL:	
WHOLE DIM (X)	3		
ONE-PLACE (X.X)	1.5		
TWO-PLACE (X.XX)	0.50		
ANGLE	1°		
REFER TO ES0018 FOR FASTENER TIGHTENING GUIDELINES		WEIGHT: (LBS)	FIRST USED: (REF)
			16 R42QD
DESCRIPTION:			
DRAINAGE SYSTEM INSTL			
SHEET:	ITEM/PART NO.:	REV:	
1 OF 4	000173771 / 30004001000		
REF:		1 03-Oct-2016	

X-X
FOR DRAINAGE CALLOUTS SEE DWG NO. 000211962 / 303370-01-000

300040



DETAIL BB
(SHOWN W/OUT CABINETS AND FLOOR)

DETAIL BB

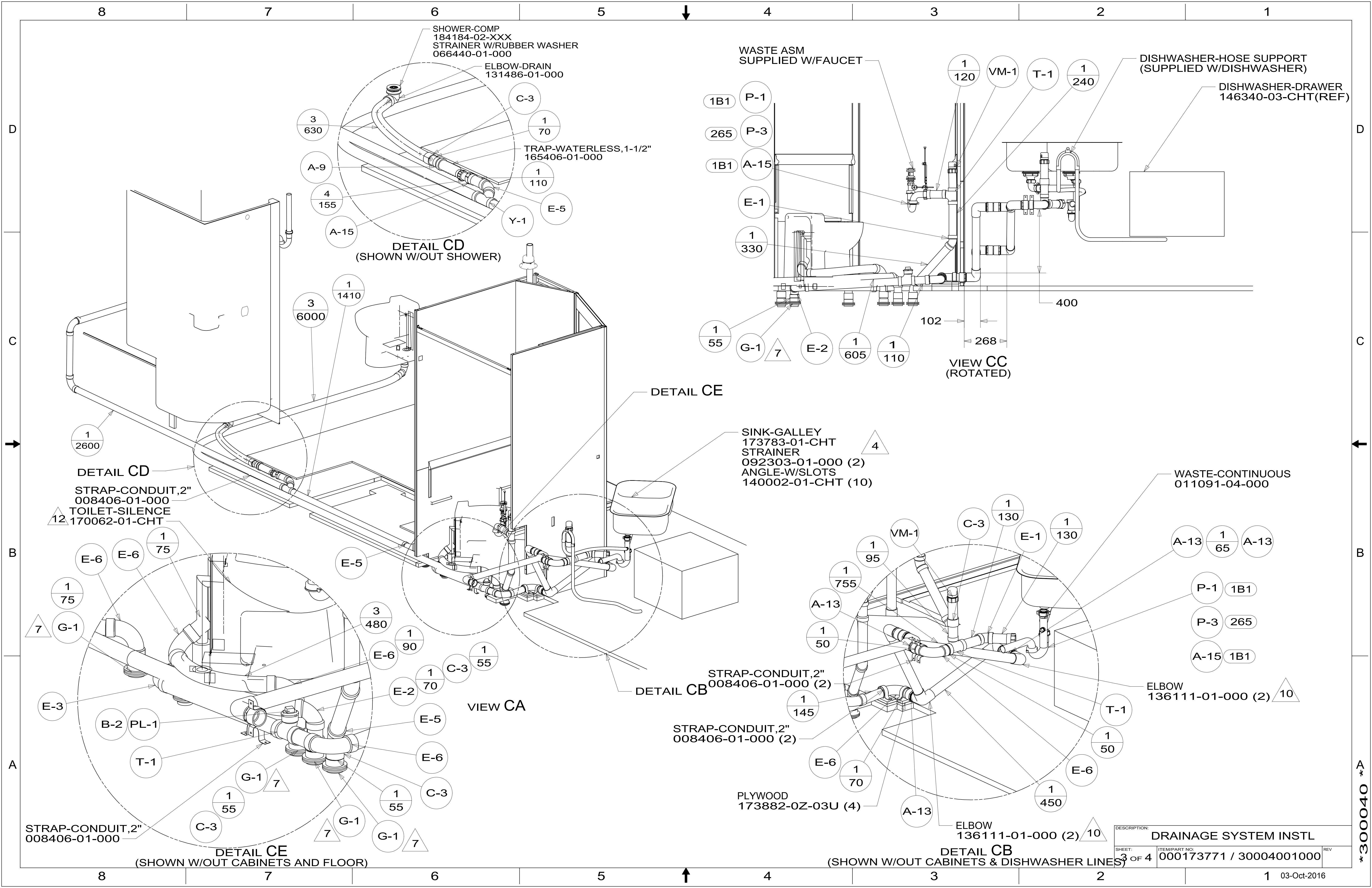
DETAIL BC

DETAIL BC

VIEW BA

DESCRIPTION:		
DRAINAGE SYSTEM INSTL		
SHEET:	ITEM/PART NO.:	REV:
2 OF 4	000173771 / 30004001000	
		03-Oct-2016

*300040



SHOWER-COMP
184184-02-XXX
STRAINER W/RUBBER WASHER
066440-01-000

ELBOW-DRAIN
131486-01-000

C-3

1
70

TRAP-WATERLESS, 1-1/2"
165406-01-000

1
110

Y-1

E-5

DETAIL CD
(SHOWN W/OUT SHOWER)

3
630

A-9

4
155

A-15

1
1410

3
6000

1
2600

DETAIL CD

STRAP-CONDUIT, 2"
008406-01-000
TOILET-SILENCE
12 170062-01-CHT

E-6

1
75

E-6

1
75

G-1

7

E-3

B-2

PL-1

T-1

G-1

1
55

C-3

7

G-1

7

1
55

C-3

7

G-1

7

1
55

C-3

7

G-1

7

1
55

C-3

7

G-1

7

1
55

C-3

7

G-1

7

1
55

C-3

7

G-1

7

1
55

C-3

7

G-1

7

1
55

C-3

7

G-1

7

1
55

C-3

7

G-1

7

1
55

C-3

7

G-1

7

1
55

C-3

7

G-1

7

1
55

C-3

7

G-1

7

1
55

C-3

7

G-1

7

1
55

C-3

7

G-1

7

1
55

C-3

7

G-1

7

1
55

C-3

7

G-1

7

1
55

C-3

7

G-1

7

1
55

C-3

7

G-1

7

1
55

C-3

7

G-1

7

1
55

C-3

7

G-1

7

1
55

C-3

7

G-1

7

1
55

C-3

7

G-1

7

1
55

C-3

7

G-1

7

1
55

C-3

7

G-1

7

1
55

C-3

7

G-1

7

1
55

C-3

7

G-1

7

1
55

C-3

7

G-1

7

1
55

C-3

7

G-1

7

1
55

C-3

7

G-1

7

1
55

C-3

7

G-1

7

1
55

C-3

7

G-1

7

1
55

C-3

7

G-1

7

1
55

C-3

7

G-1

7

1
55

C-3

7

G-1

7

1
55

C-3

7

G-1

7

1
55

C-3

7

G-1

7

1
55

C-3

7

G-1

7

1
55

C-3

7

G-1

7

1
55

C-3

7

G-1

7

1
55

C-3

7

G-1

7

1
55

C-3

7

G-1

7

1
55

C-3

7

G-1

7

1
55

C-3

7

G-1

7

1
55

C-3

7

G-1

7

1
55

C-3

7

G-1

7

1
55

C-3

7

G-1

7

1
55

C-3

7

G-1

7

1
55

C-3

7

G-1

7

1
55

C-3

7

G-1

7

1
55

C-3

7

G-1

7

1
55

C-3

7

G-1

7

1
55

C-3

7

WASTE ASM
SUPPLIED W/FAUCET

1B1

P-1

265

P-3

1B1

A-15

E-1

1
330

1
55

G-1

7

E-2

1
605

1
110

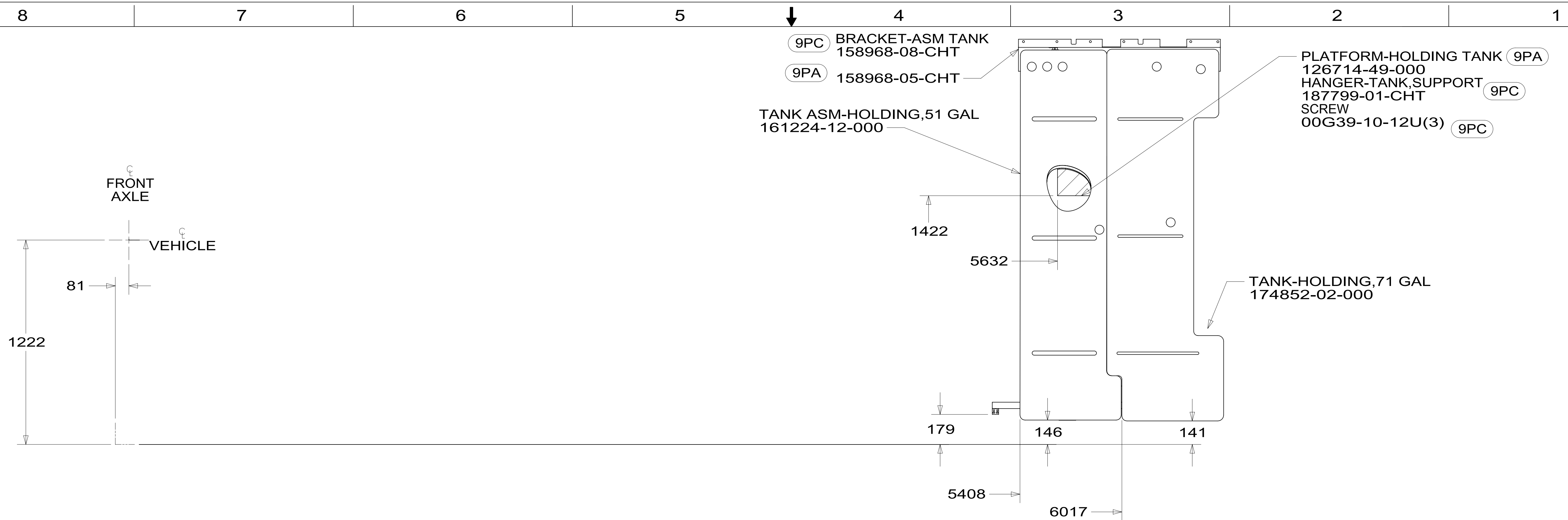
102

268

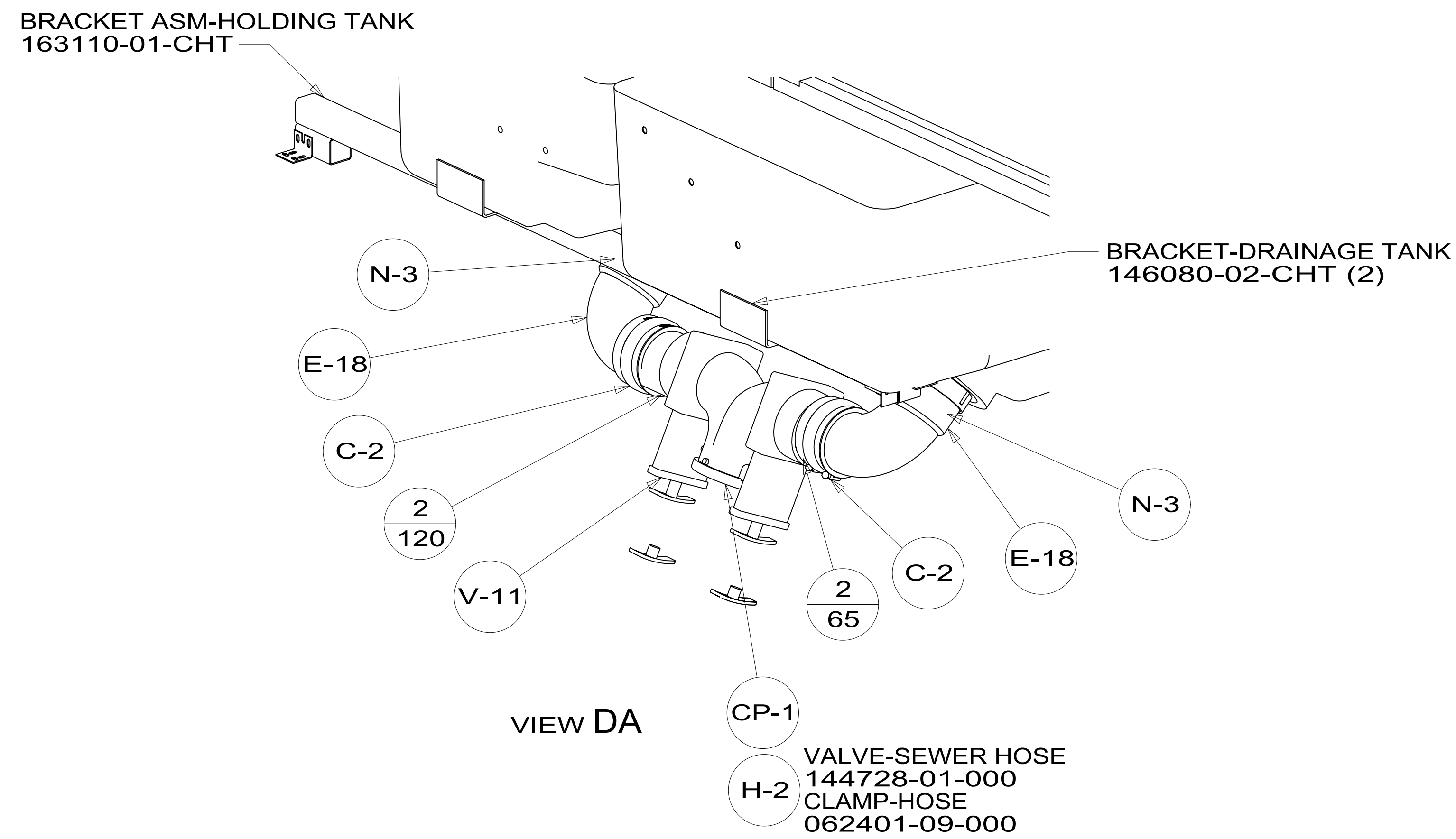
102

400

102



TOP VIEW SHOWING TANKS AND DRAINS



DESCRIPTION: DRAINAGE SYSTEM INSTL		
SHEET: 4 OF 4	ITEM/PART NO: 000173771 / 30004001000	REV
1 03-Oct-2016		

*300040