

- 196 TV ANT-AUTO,DIRECTIONAL AMPL
- 193 TV ANT-DIGITAL AMPLIFIED
- 783 SATELLITE HD TV SYSTEM AUTOC
- 78C SATELLITE SYSTEM READY
- 265 CODES/STANDARDS-CSA/CMVSS
- 1B1 CODES/STANDARDS USA

WINNEBAGO
COPYRIGHT 2016 WINNEBAGO INDUSTRIES, INC.

DSNR:	ALL DIMENSIONS ARE IN MILLIMETERS	
DFFR:	MATERIAL:	
UNSPECIFIED TOLERANCES:	WHOLE DIM (X) :	3
	ONE-PLACE (X.X) :	1.5
	TWO-PLACE (X.XX) :	0.50
	ANGLE :	1°
REFER TO ES0018 FOR FASTENER TIGHTENING GUIDELINES	WEIGHT: (LBS)	FIRST USED:
DESCRIPTION: WIRING INSTL-TV/DVD		
SHEET: 1 OF 4	ITEM/PART NO: 00002684 / 31019101000	REV:

- NOTES:
- 4 PLACE I.R.E. IN FRONT OF BLU-RAY PLAYER AS SHOWN.
 - 3 INTERIOR CONTROL CONNECTS TO SATELLITE DATA CABLE. SEE ROOF ASM FOR ADDITIONAL INFORMATION.
 - 2 SET BLU-RAY PLAYER TO A MAX VIDEO OUTPUT OF 1080I.
 - 1 SNAP ROPE LIGHT IN CHANNELS ON OVHD CABINETS.

FOR ELECTRICAL TORQUE SPECIFICATIONS SEE DWG NO. 128783-01-000

FOR ELECTRICAL CALLOUTS SEE DWG NO. 121339-01-000

VIEW AA
(PANEL NOT SHOWN)

8 7 6 5 4 3 2 1

D

D

C

C

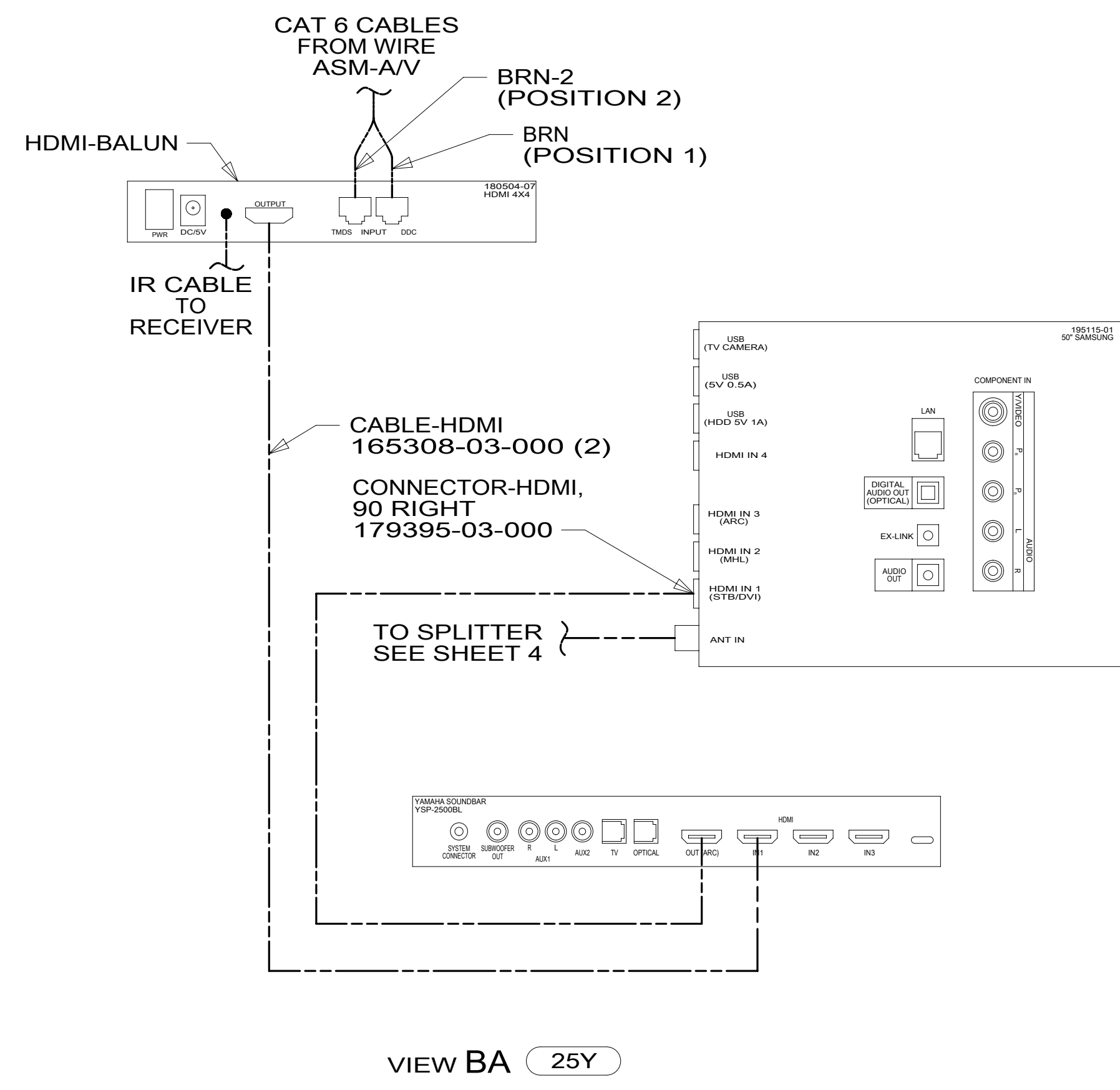
B

B

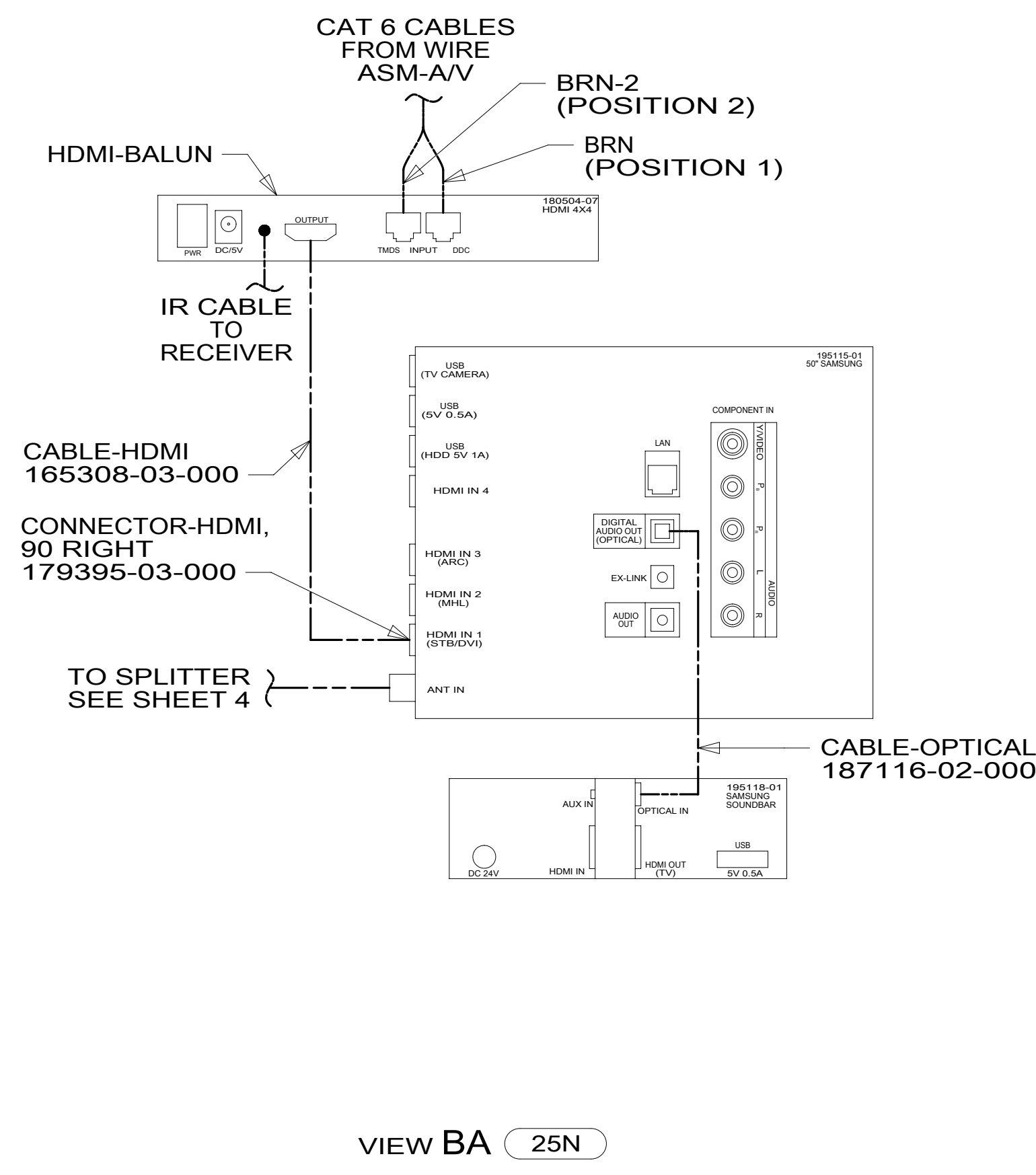
A

A

8 7 6 5 4 3 2 1



VIEW BA 25Y



VIEW BA 25N

- TV-50", FLAT PANEL ELED, HDTV 195115-01-000
- BRACKET 000002697 / 31020401CHT (2)
- BOLT 0MC31K-08-025 (4)
- WASHER 156569-01-CHT (4)
- NUT 000D29-04-00U (4)
- WASHER 000E13-04-00U (4)

- MATRIX-HDMI, BALUN 180504-07-000
- BRACKET 180543-01-CHT
- SCREW 076790-05-000 (2)

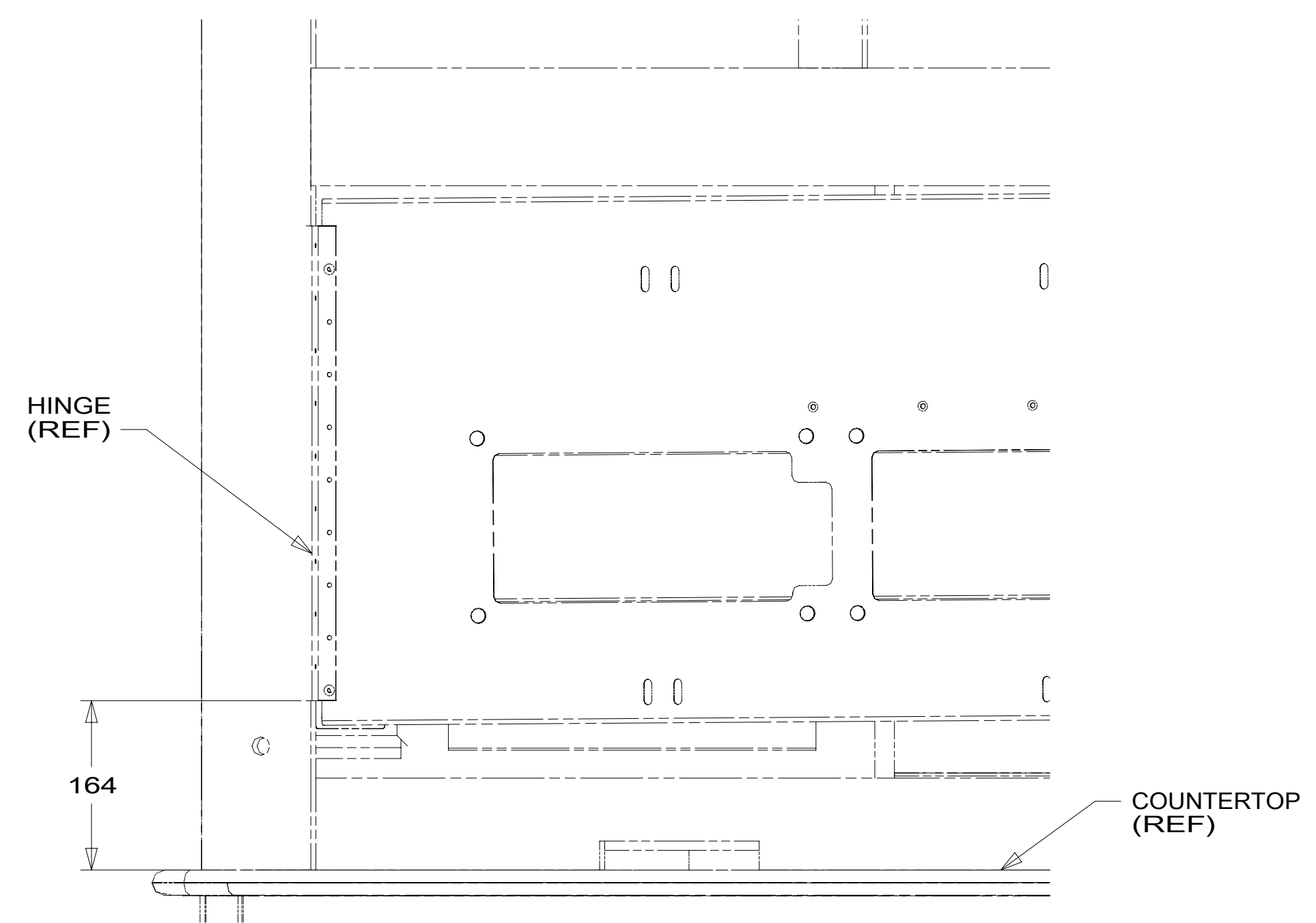
- RCP-2 TV (REF)
- RCP-2 SOUNDBAR (REF)

- MATRIX-REC IN-WALL 180504-08-000

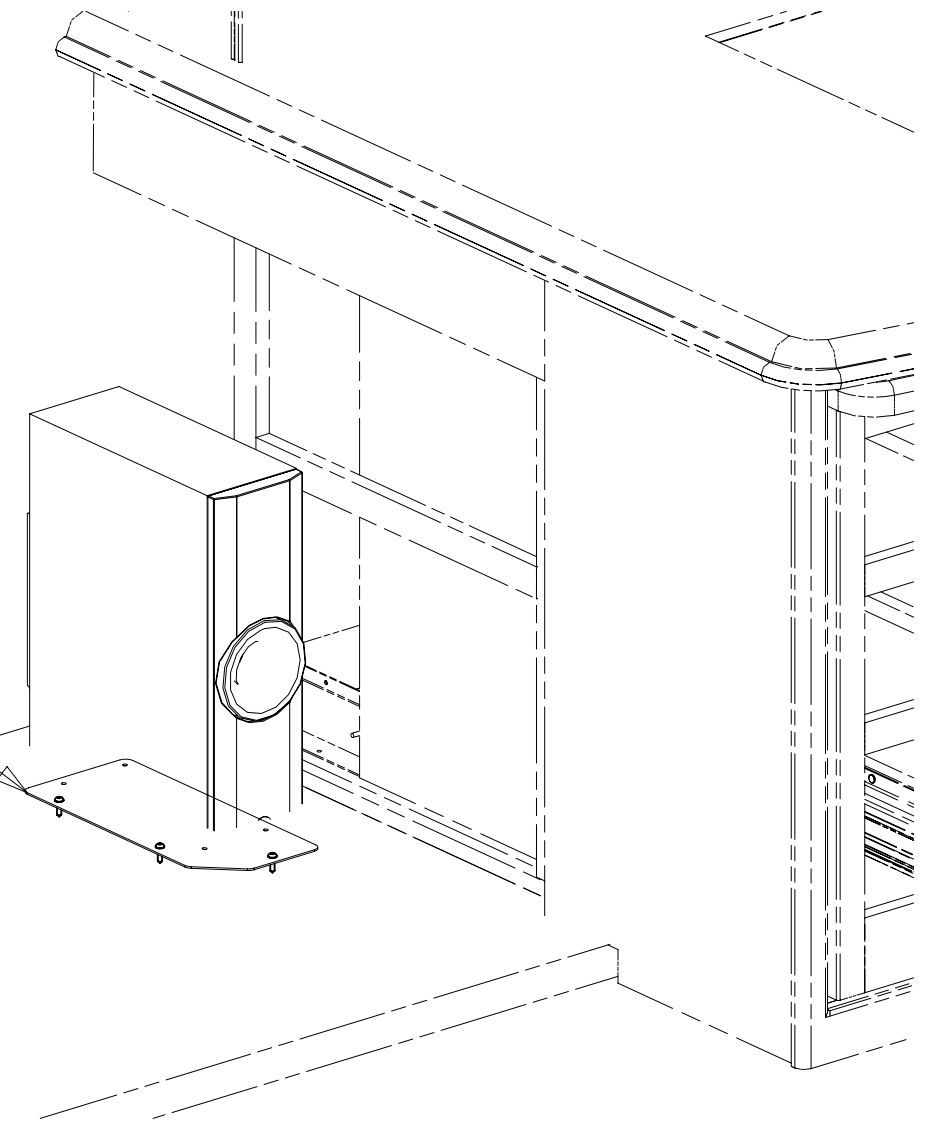
- CLAMP 10497-10-000 (2)
- SCREW G11-08-08U (2)

- 1 25Y SPEAKER-SOUNDBAR W/WIRELESS 000011754 / 311338-01-000
- FASTENER-DUAL 085774-01-000 (120 MM)(2)
- FASTENER-DUAL 085774-02-000 (120 MM)(2)
- SPEAKER-SOUNDBAR W/SUB WIRED 195118-01-000
- PLATE-W/HOLES 000008688 / 310880-01-CHT
- SCREW G11-08-12U (3)
- OMG02U-04-010 (2)

- 25Y 1 2 BRACKET-SUBWOOFER 000005067 / 312267-01-CHT
- SCREW 000G11-10-12U (3)



VIEW BB



- 2 MOUNT BRACKET TO SUBWOOFER WITH FACTORY FEET SCREWS.
- 1 REMOVE AND DISCARD FACTORY FEET.

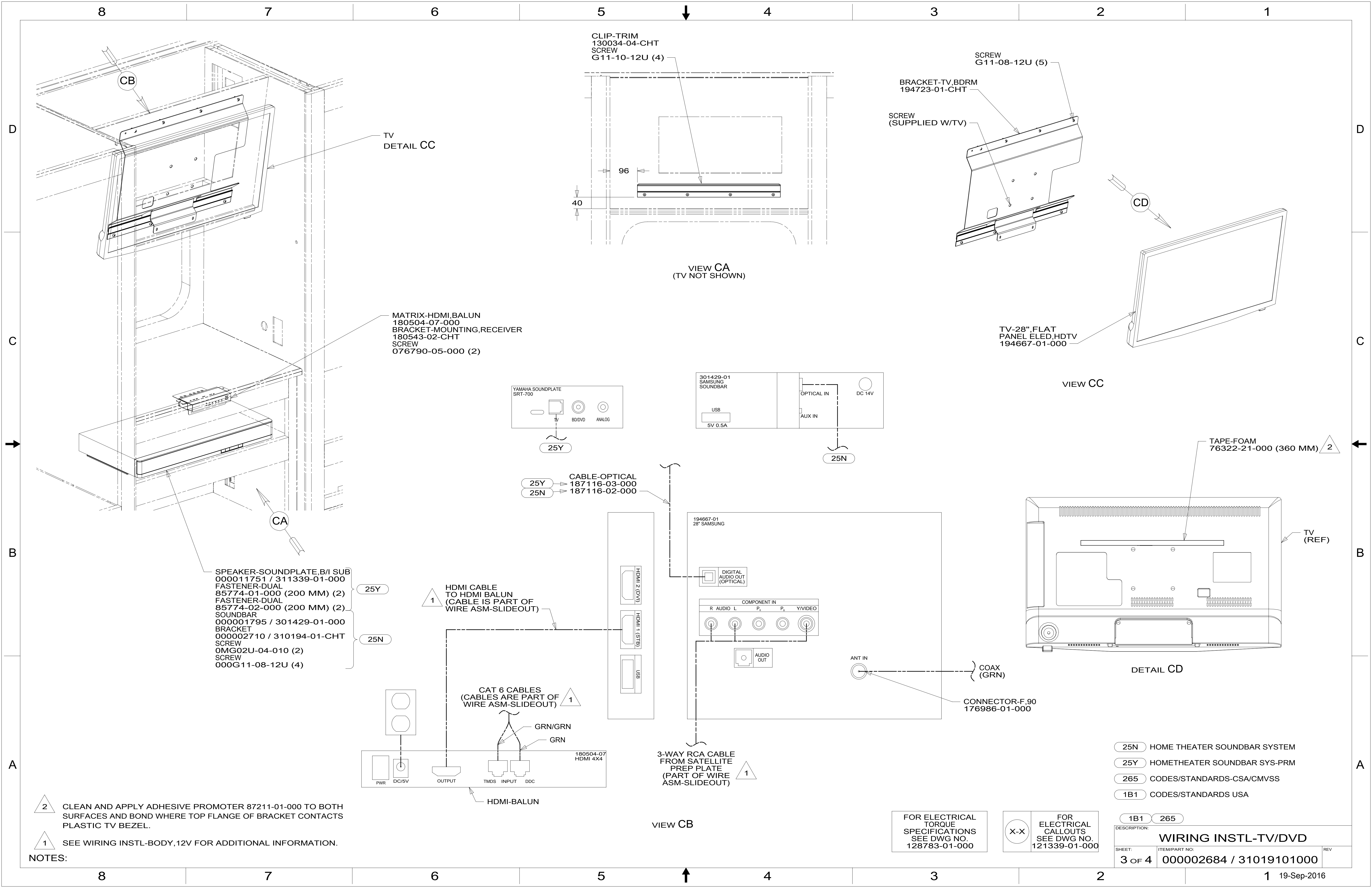
NOTES:

FOR ELECTRICAL TORQUE SPECIFICATIONS SEE DWG NO. 128783-01-000

FOR ELECTRICAL CALLOUTS SEE DWG NO. 121339-01-000

- 25Y HOMETHEATER SOUNDBAR SYS-PRM
- 25N HOME THEATER SOUNDBAR SYSTEM
- 265 CODES/STANDARDS-CSA/CMVSS
- 1B1 CODES/STANDARDS USA

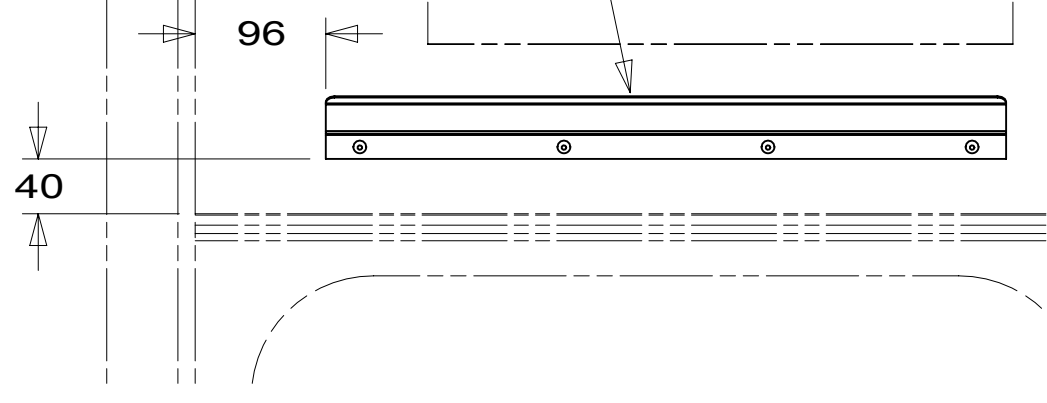
DESCRIPTION:		1B1 265	
WIRING INSTL-TV/DVD			
SHEET:	ITEM/PART NO.:	REV	
2 OF 4	000002684 / 31019101000		



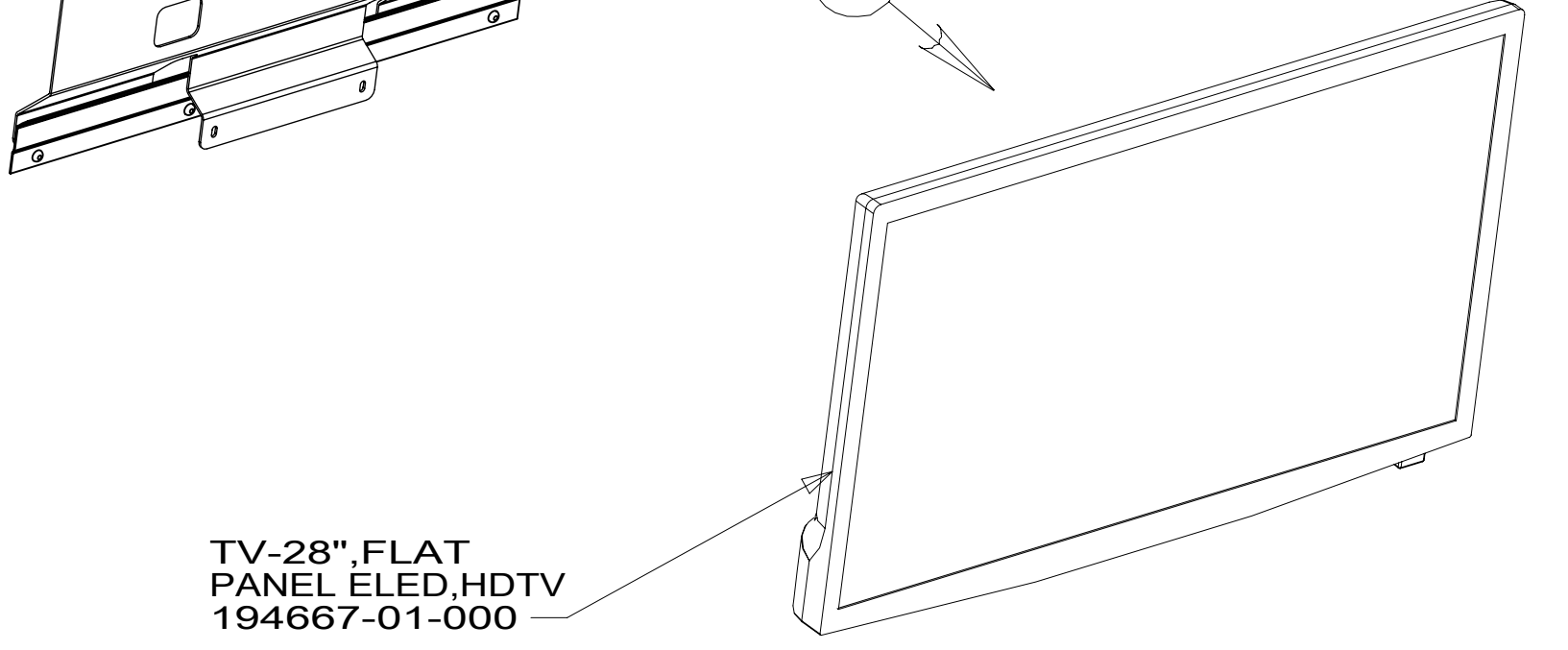
CLIP-TRIM
130034-04-CHT
SCREW
G11-10-12U (4)

SCREW
G11-08-12U (5)
BRACKET-TV,BDRM
194723-01-CHT
SCREW
(SUPPLIED W/TV)

TV
DETAIL CC

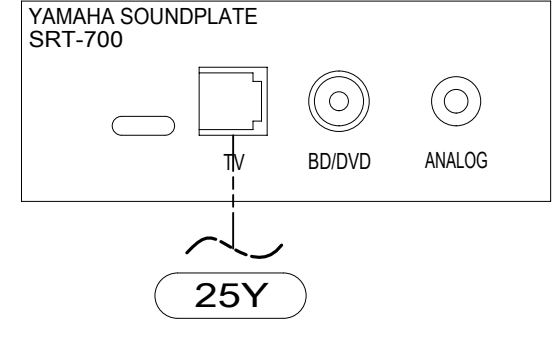


VIEW CA
(TV NOT SHOWN)

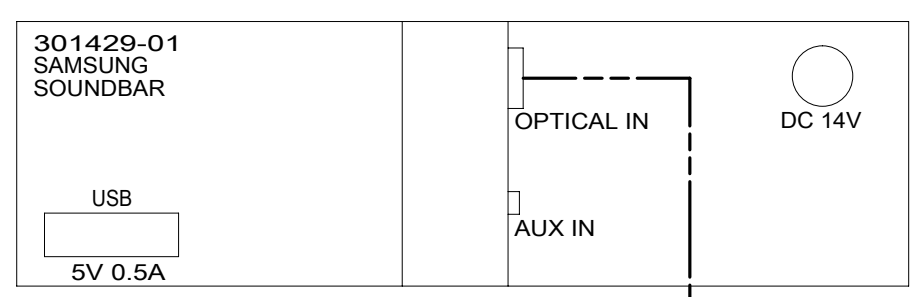


VIEW CC

MATRIX-HDMI,BALUN
180504-07-000
BRACKET-MOUNTING,RECEIVER
180543-02-CHT
SCREW
076790-05-000 (2)



25Y



25N

CABLE-OPTICAL
25Y → 187116-03-000
25N → 187116-02-000

SPEAKER-SOUNDPLATE,B/I SUB
000011751 / 311339-01-000
FASTENER-DUAL
85774-01-000 (200 MM) (2)
FASTENER-DUAL
85774-02-000 (200 MM) (2)
SOUNDBAR
000001795 / 301429-01-000
BRACKET
000002710 / 310194-01-CHT
SCREW
OMG02U-04-010 (2)
SCREW
000G11-08-12U (4)

25Y

25N

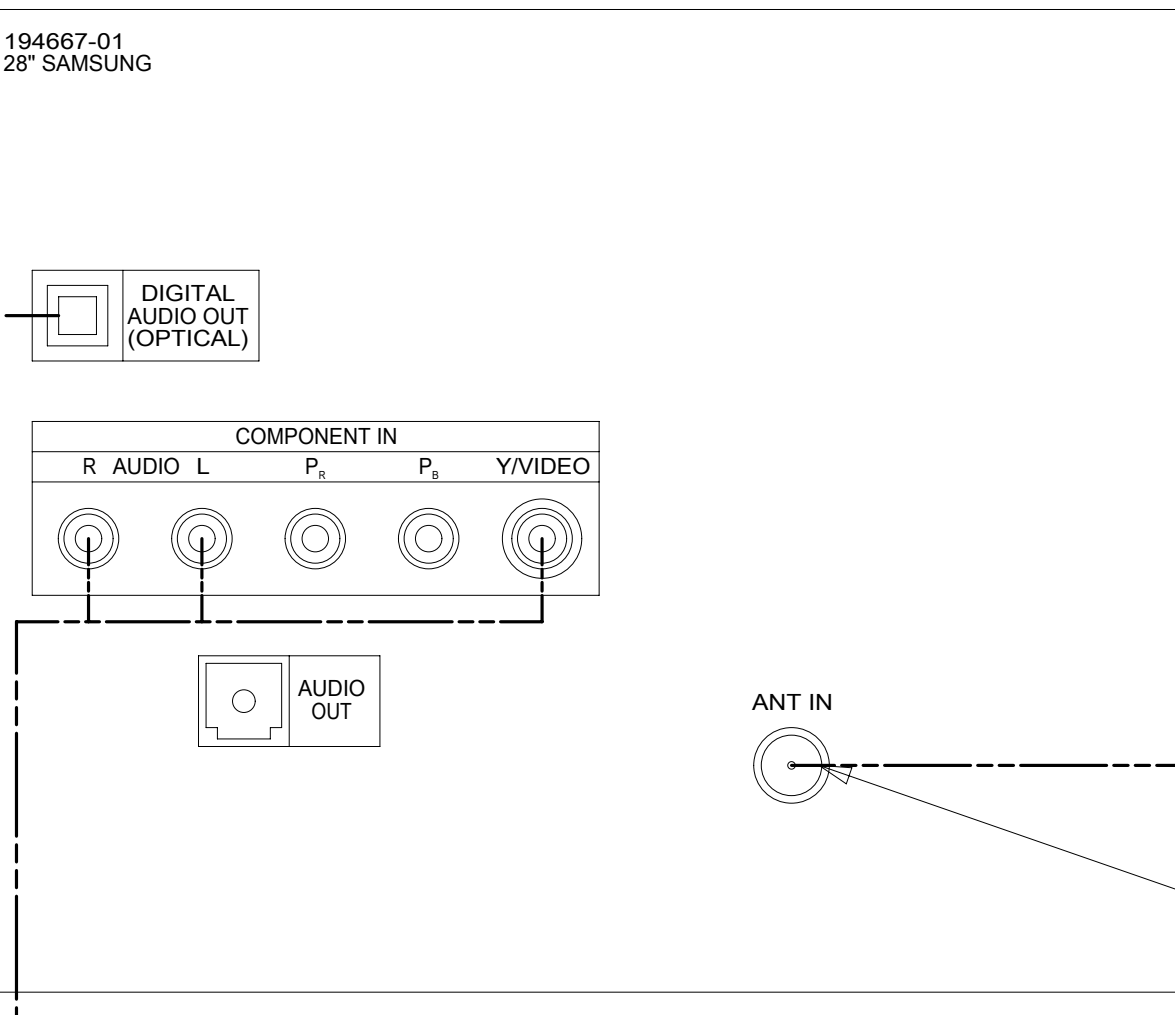
1
HDMI CABLE
TO HDMI BALUN
(CABLE IS PART OF
WIRE ASM-SLIDEOUT)

1
CAT 6 CABLES
(CABLES ARE PART OF
WIRE ASM-SLIDEOUT)

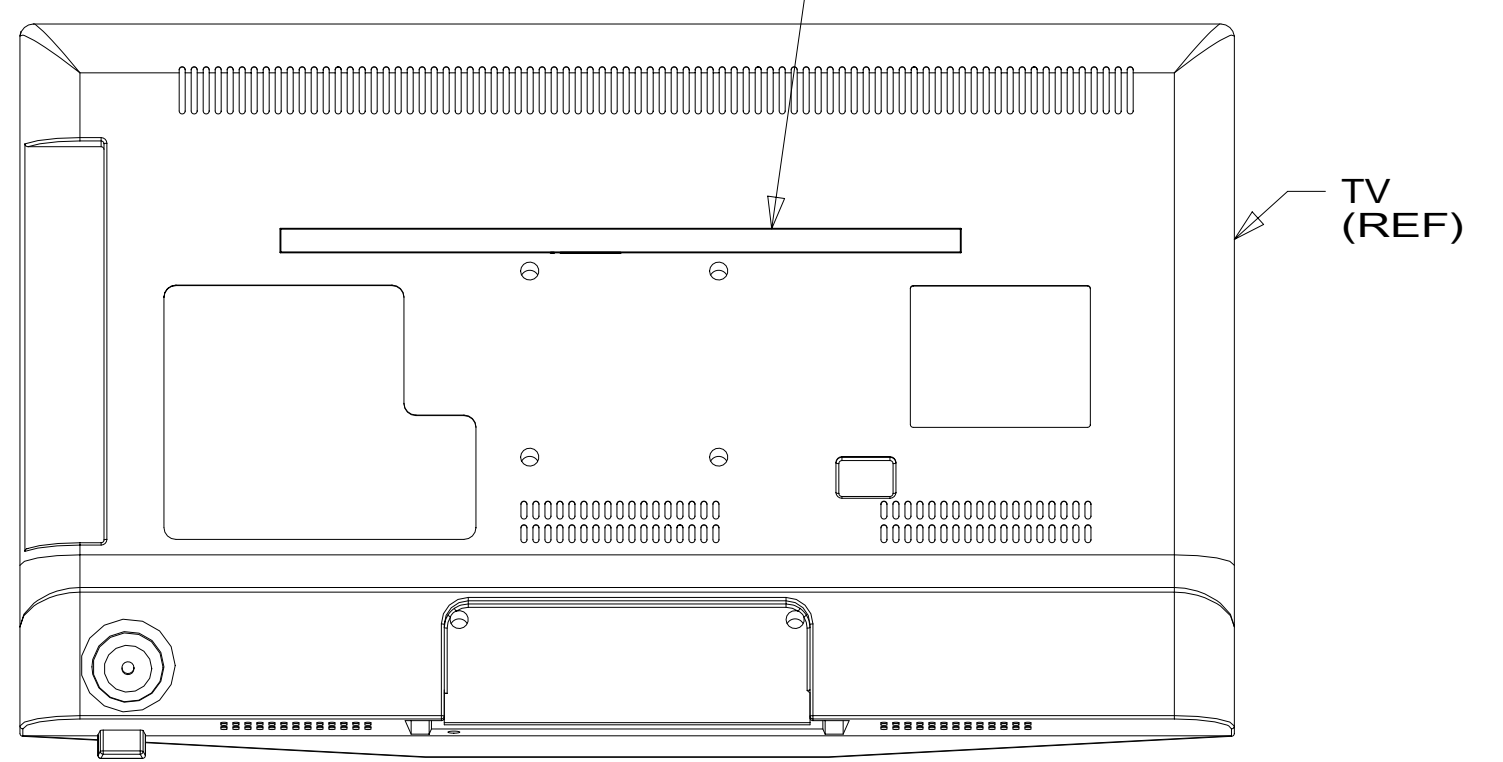
GRN/GRN
GRN

180504-07
HDMI 4X4

HDMI-BALUN



VIEW CB



DETAIL CD

- 25N HOME THEATER SOUNDBAR SYSTEM
- 25Y HOMETHEATER SOUNDBAR SYS-PRM
- 265 CODES/STANDARDS-CSA/CMVSS
- 1B1 CODES/STANDARDS USA

2 CLEAN AND APPLY ADHESIVE PROMOTER 87211-01-000 TO BOTH SURFACES AND BOND WHERE TOP FLANGE OF BRACKET CONTACTS PLASTIC TV BEZEL.

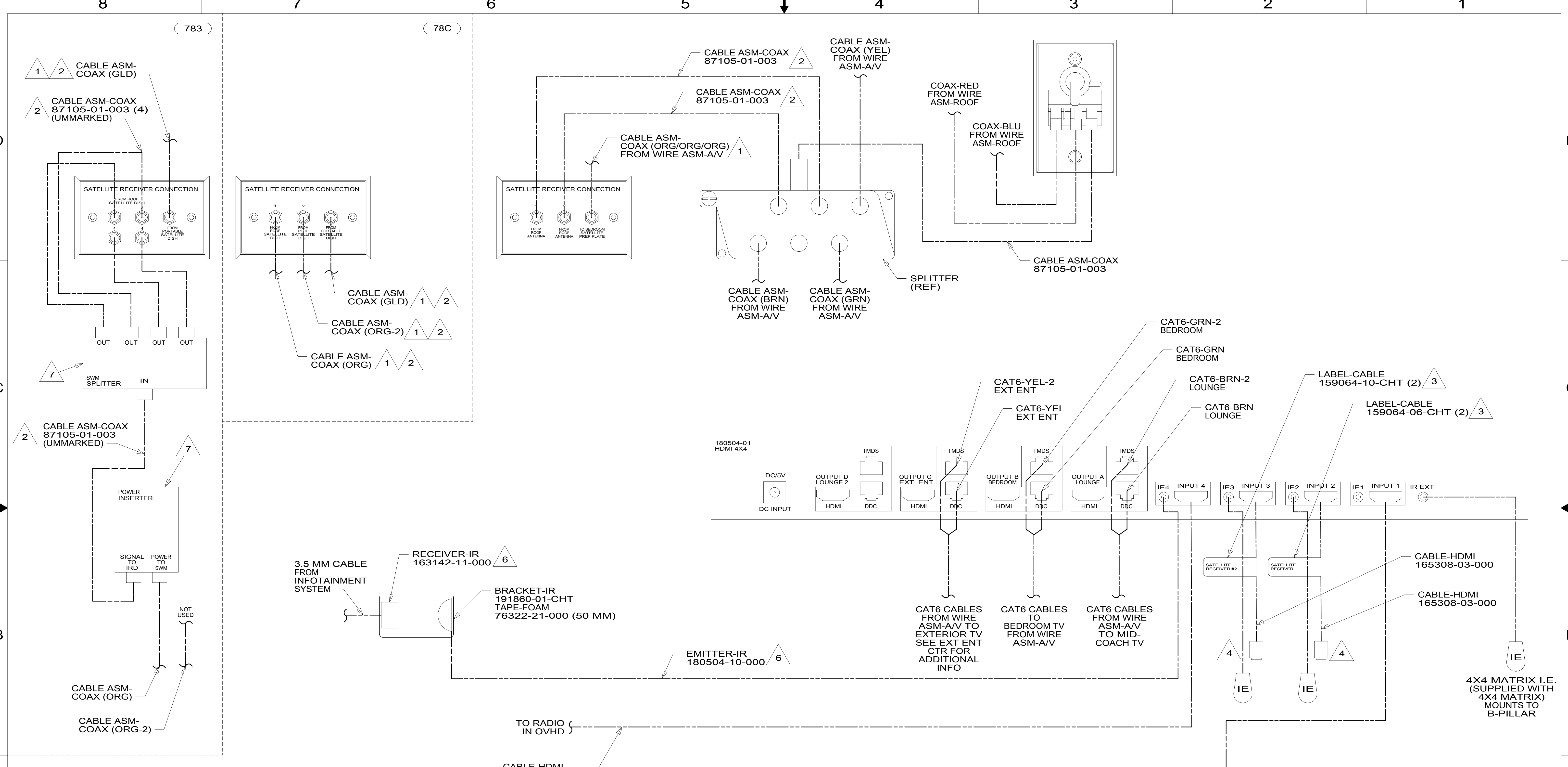
1 SEE WIRING INSTL-BODY,12V FOR ADDITIONAL INFORMATION.

NOTES:

FOR ELECTRICAL TORQUE SPECIFICATIONS SEE DWG NO. 128783-01-000

FOR ELECTRICAL CALLOUTS SEE DWG NO. 121339-01-000

DESCRIPTION:	1B1 265	
WIRING INSTL-TV/DVD		
SHEET:	ITEM/PART NO:	REV
3 OF 4	000002684 / 31019101000	



- NOTES:**
- 7 PARTS ARE SUPPLIED WITH INTERIOR CONTROL 183415-05-000.
 - 6 PLACE ABOVE 4X4 MATRIX.
 - 5 SET DVD/BLU-RAY PLAYER TO AUDIO ON HDMI AND MAX VIDEO OUTPUT RESOLUTION TO 1080I.
 - 4 COIL CABLE IN SATELLITE PREP AREA FOR FUTURE USE.
 - 3 ATTACH LABEL 100 MM FROM EACH END OF CABLE AND 400 MM FROM THE END OF THE IR EMMITTER CABLE.
 - 2 CABLE CONNECTS TO REAR SIDE OF PLATE.
 - 1 CABLE ROUTED IN ROOF.

783	SATELLITE HD TV SYSTEM AUTOC
78C	SATELLITE SYSTEM READY
265	CODES/STANDARDS-CSA/CMVSS
1B1	CODES/STANDARDS USA
1B1	265
DESCRIPTION: WIRING INSTL-TV/DVD	
SHEET: 4 OF 4	ITEM/PART NO: 000002684 / 31019101000
REV: 19-Sep-2016	

FOR ELECTRICAL TORQUE SPECIFICATIONS SEE DWG NO. 128783-01-000

FOR ELECTRICAL CALLOUTS SEE DWG NO. 121339-01-000