

- NOTES:
- 4 PLACE I.R.E. IN FRONT OF BLU-RAY PLAYER AS SHOWN.
 - 3 INTERIOR CONTROL CONNECTS TO SATELLITE DATA CABLE. SEE ROOF ASM FOR ADDITIONAL INFORMATION.
 - 2 SET BLU-RAY PLAYER TO A MAX VIDEO OUTPUT OF 1080I.
 - 1 SNAP ROPE LIGHT IN CHANNELS ON OVHD CABINETS.

- 196 TV ANT-AUTO,DIRECTIONAL AMPL
- 193 TV ANT-DIGITAL AMPLIFIED
- 783 SATELLITE HD TV SYSTEM AUTOC
- 78C SATELLITE SYSTEM READY
- 265 CODES/STANDARDS-CSA/CMVSS
- 1B1 CODES/STANDARDS USA

WINNEBAGO
COPYRIGHT 2016 WINNEBAGO INDUSTRIES, INC.

DSNR:	ALL DIMENSIONS ARE IN MILLIMETERS	
DFFR:	MATERIAL:	
UNSPECIFIED TOLERANCES:	WHOLE DIM (X) :	3
	ONE-PLACE (X.X) :	1.5
	TWO-PLACE (X.XX) :	0.50
	ANGLE :	1°
REFER TO ES0018 FOR FASTENER TIGHTENING GUIDELINES	WEIGHT: (LBS)	FIRST USED:
DESCRIPTION: WIRING INSTL-TV/DVD		
SHEET: 1 OF 4	ITEM/PART NO: 00002599 / 31019001000	REV:

FOR ELECTRICAL TORQUE SPECIFICATIONS SEE DWG NO. 128783-01-000

FOR ELECTRICAL CALLOUTS SEE DWG NO. 121339-01-000

VIEW AA
(PANEL NOT SHOWN)

8 7 6 5 4 3 2 1

D

D

C

C

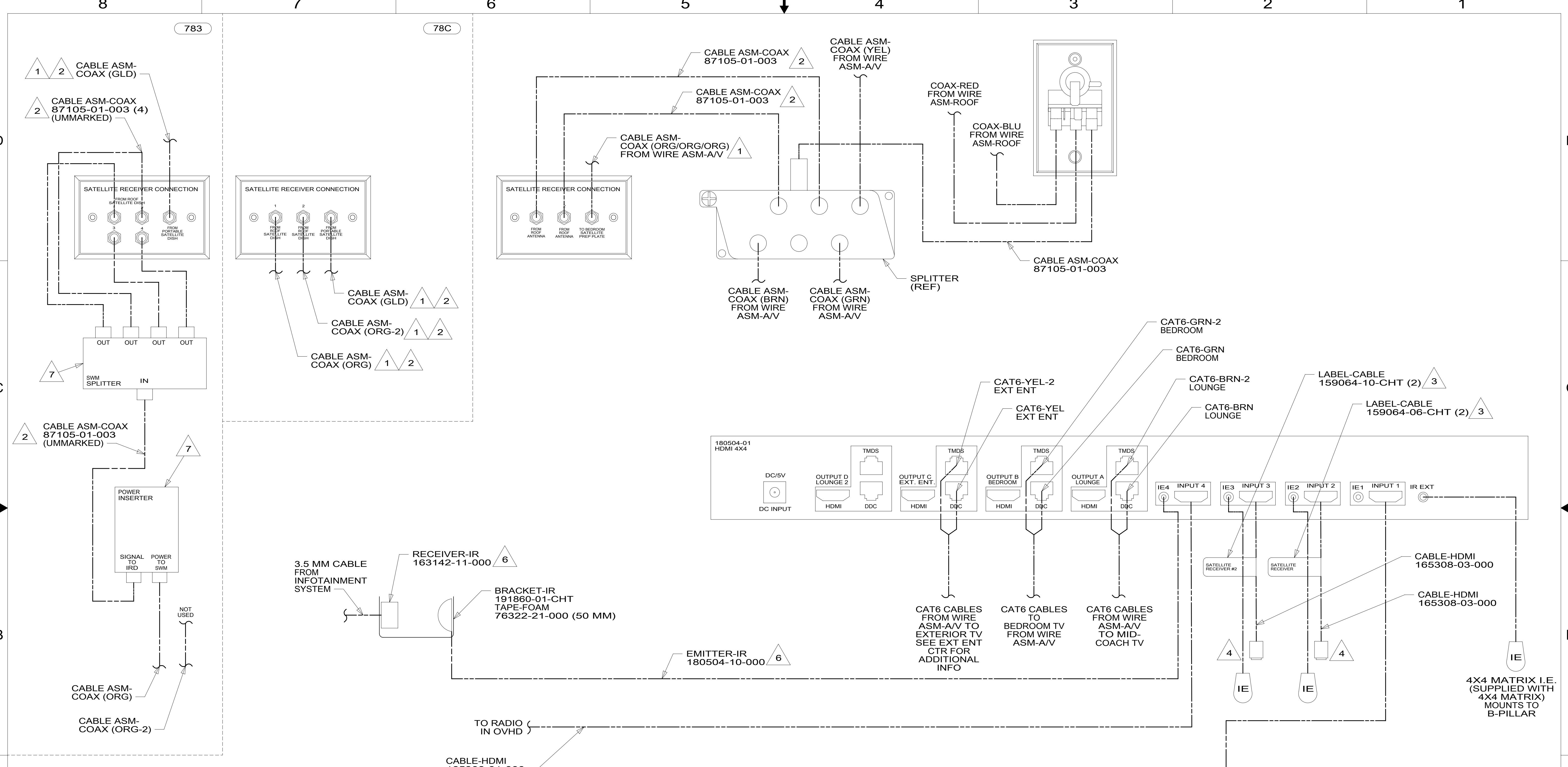
B

B

A

A

8 7 6 5 4 3 2 1



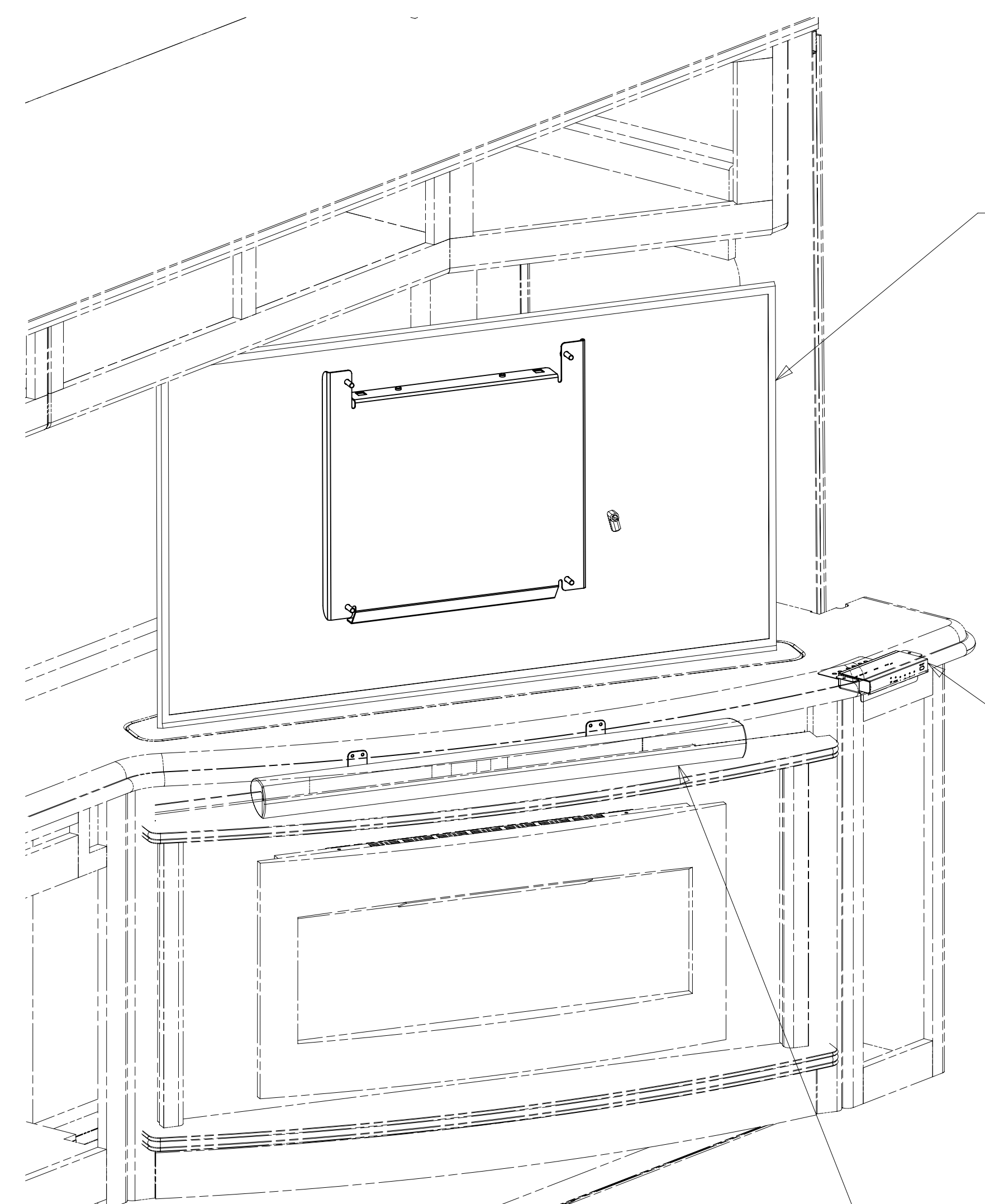
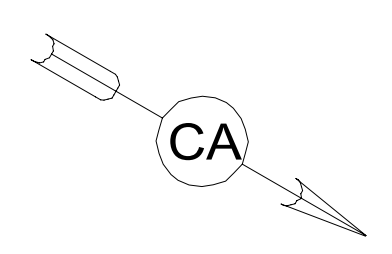
- NOTES:**
- 7 PARTS ARE SUPPLIED WITH INTERIOR CONTROL 183415-05-000.
 - 6 PLACE ABOVE 4X4 MATRIX.
 - 5 SET DVD/BLU-RAY PLAYER TO AUDIO ON HDMI AND MAX VIDEO OUTPUT RESOLUTION TO 1080I.
 - 4 COIL CABLE IN SATELLITE PREP AREA FOR FUTURE USE.
 - 3 ATTACH LABEL 100 MM FROM EACH END OF CABLE AND 400 MM FROM THE END OF THE IR EMMITTER CABLE.
 - 2 CABLE CONNECTS TO REAR SIDE OF PLATE.
 - 1 CABLE ROUTED IN ROOF.

- 783 SATELLITE HD TV SYSTEM AUTOC
- 78C SATELLITE SYSTEM READY
- 265 CODES/STANDARDS-CSA/CMVSS
- 1B1 CODES/STANDARDS USA

FOR ELECTRICAL TORQUE SPECIFICATIONS SEE DWG NO. 128783-01-000

FOR ELECTRICAL CALLOUTS SEE DWG NO. 121339-01-000

DESCRIPTION:		WIRING INSTL-TV/DVD	
SHEET:	ITEM/PART NO.:	REV:	
2 OF 4	000002599 / 31019001000		

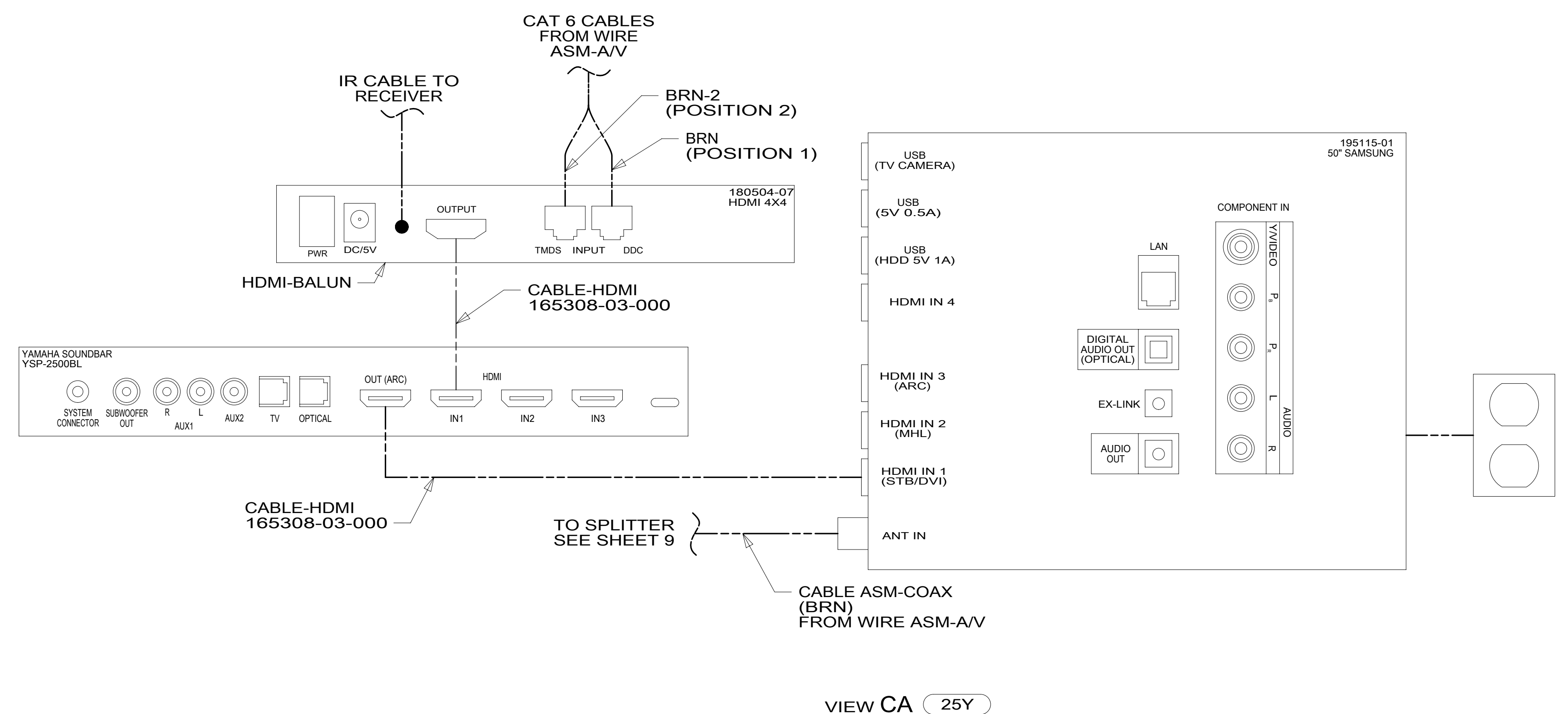
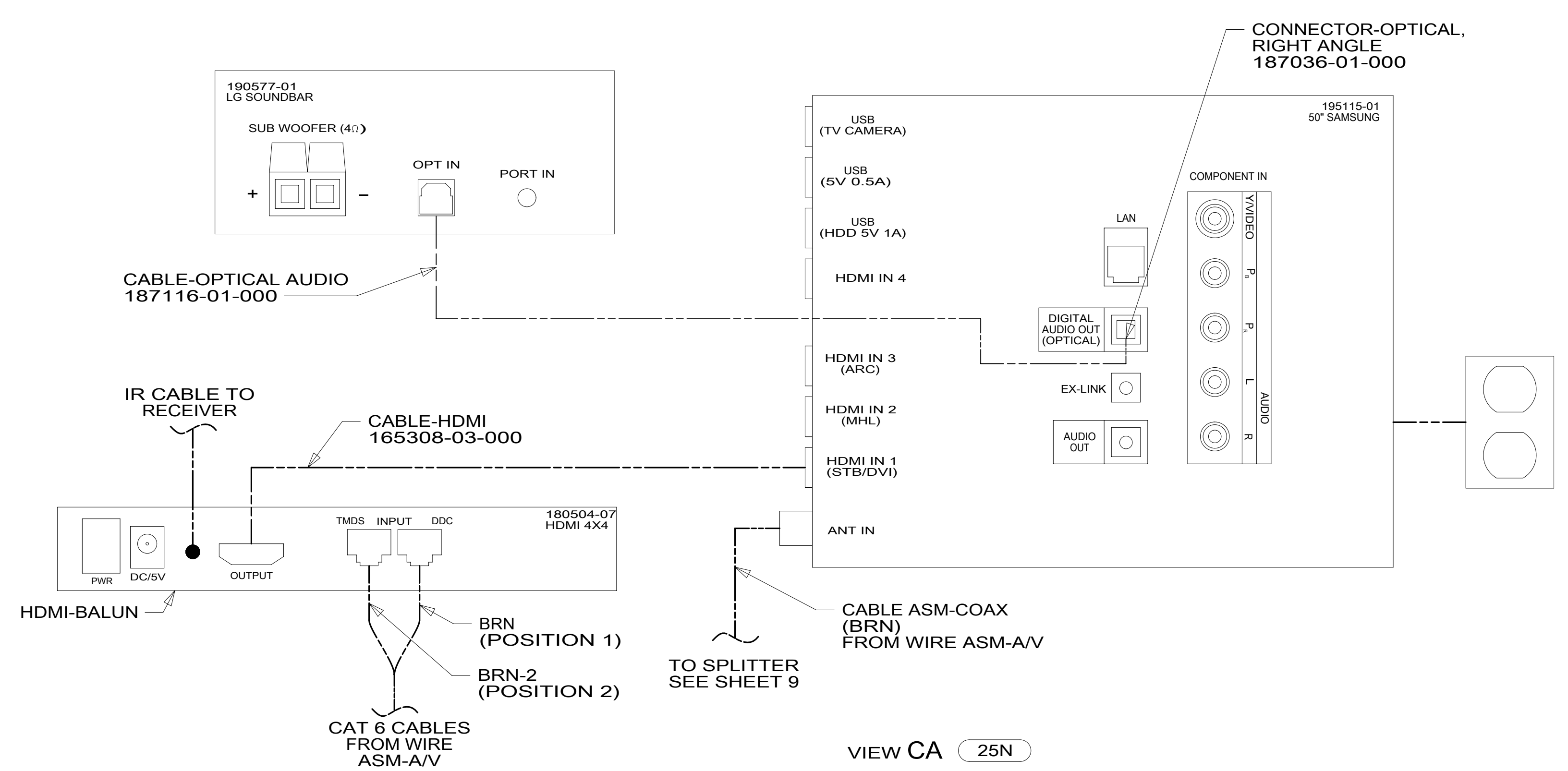


TV-50" FLAT
 PANEL DLED,HDTV
 195115-01-000
 PLATE-MOUNTING,TV
 000002561 / 310140-01-CHT
 BOLT
 0MC31K-08-025 (4)
 WASHER
 156569-01-CHT (4)
 SCREW
 000G39-10-12U (2)
 (BRACKET TO BRACKET)

MATRIX-HDMI,BALUN
 180504-07-000
 BRACKET-MOUNTING,
 RECEIVER
 180543-02-CHT
 SCREW
 G11-08-12U (2)

SPEAKER-SOUNDBAR
 W/SUB WIRED
 190577-01-000
 PLATE-W/HOLES
 190634-02-CHT
 SCREW
 G11-08-12U (2)
 SCREW
 0MG02U-04-010 (2)
 SPEAKER-SOUNDBAR, W/WIRELESS
 000011752 / 311338-01-000
 FASTENER-DUAL
 085774-01-000 (120 MM) (2)
 FASTENER-DUAL
 085774-02-000 (120 MM) (2)
 BRACKET-SUBWOOFER
 000005067 / 312267-01-CHT
 SCREW
 000G11-10-12U (3)

NOTES:
 2 MOUNT BRACKET TO SUBWOOFER WITH FACTORY FEET SCREWS.
 1 REMOVE AND DISCARD FACTORY FEET.



- 25Y HOMETHEATER SOUNDBAR SYS-PRM
- 25N HOME THEATER SOUNDBAR SYSTEM
- 265 CODES/STANDARDS-CSA/CMVSS
- 1B1 CODES/STANDARDS USA

FOR ELECTRICAL
 TORQUE
 SPECIFICATIONS
 SEE DWG NO.
 128783-01-000

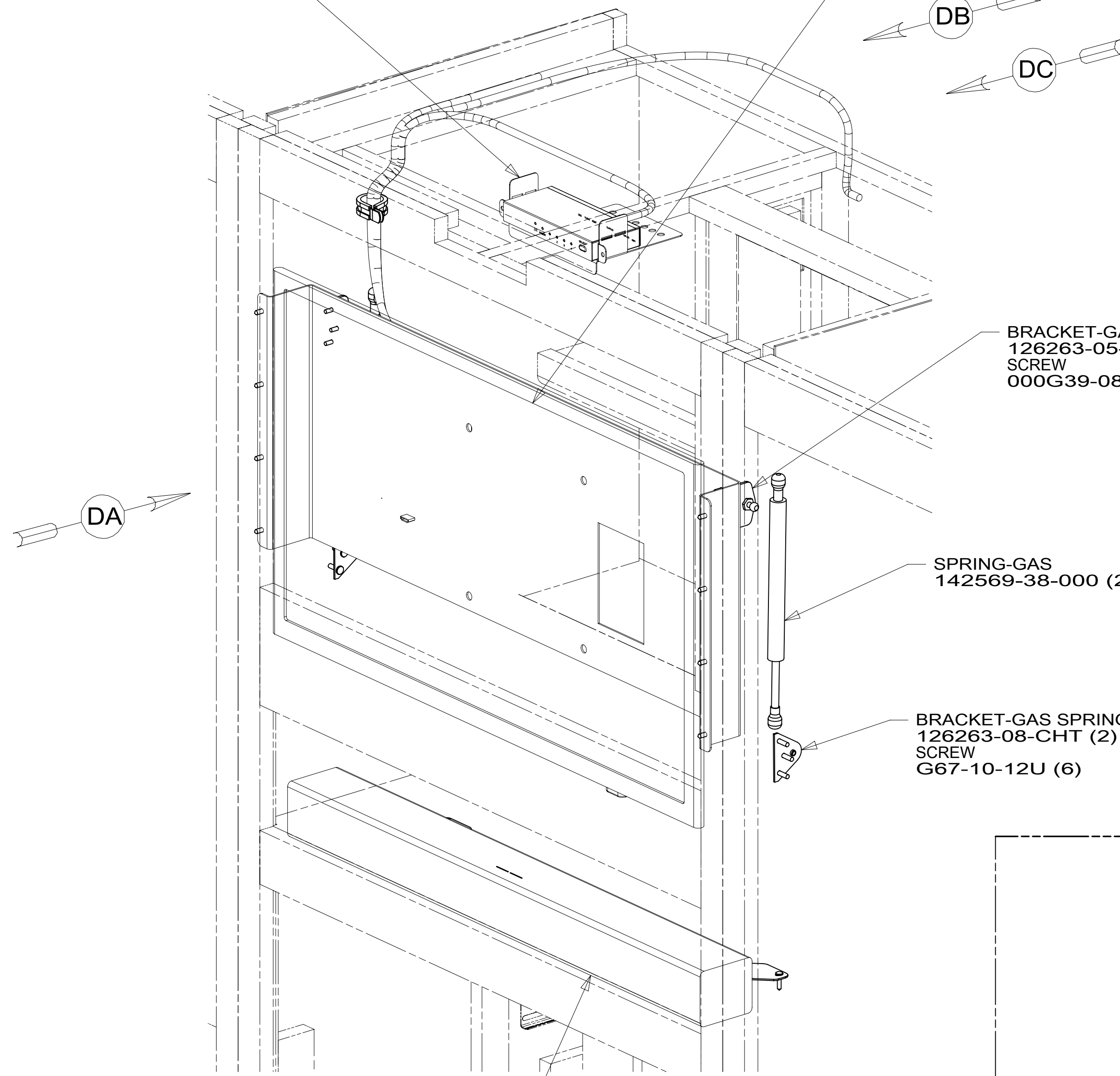
FOR ELECTRICAL
 CALLOUTS
 SEE DWG NO.
 121339-01-000

DESCRIPTION:	1B1 265	
WIRING INSTL-TV/DVD		
SHEET:	ITEM/PART NO:	REV
3 OF 4	000002599 / 31019001000	

MATRIX-HDMI,BALUN GEN 2
180504-07-000
BRACKET-MOUNTING,RECEIVER
180543-01-CHT
SCREW
076790-05-000 (2)

TV-32" FLAT
PANEL LED,HDTV
194668-01-000
SCREW
0MG02U-06-016 (4)

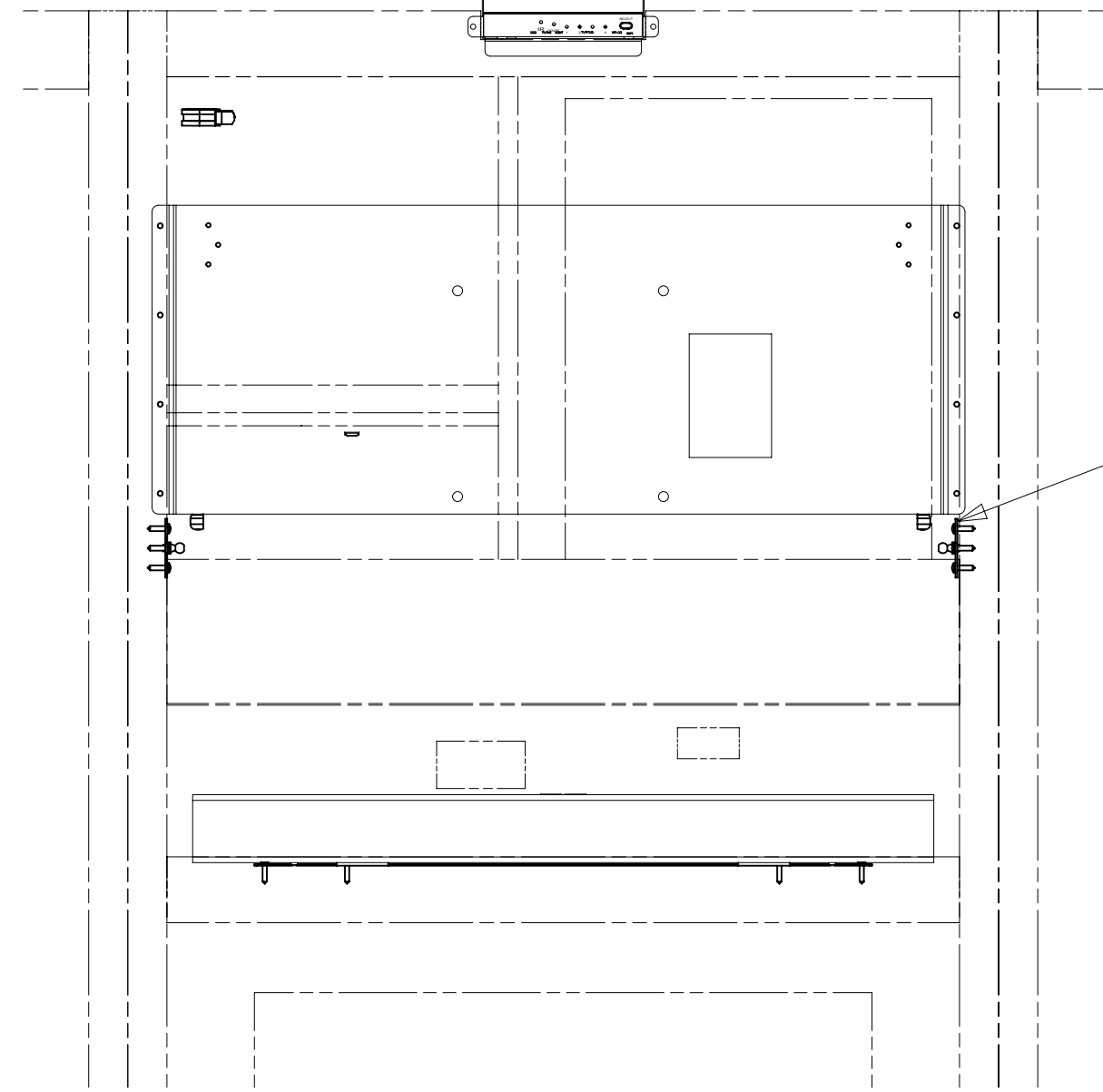
BRACKET-TV,DOOR MOUNT
301051-01-CHT
SCREW
000G67-10-08U (8)



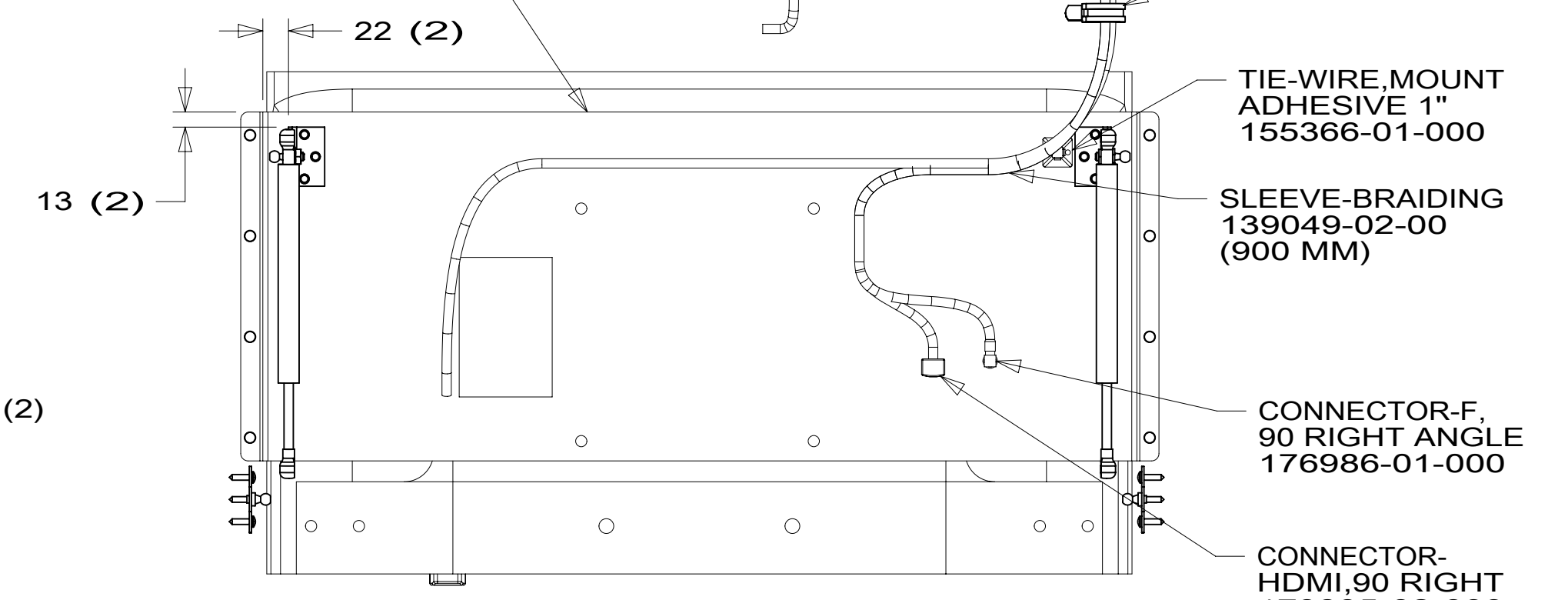
BRACKET-GAS SPRING
126263-05-CHT (2)
SCREW
000G39-08-08U (6)

SPRING-GAS
142569-38-000 (2)

BRACKET-GAS SPRING
126263-08-CHT (2)
SCREW
G67-10-12U (6)



VIEW DA
(TV NOT SHOWN)



VIEW DC

25Y SPEAKER-SOUNDPLATE, B/I SUB
000011751 / 311339-01-000
FASTENER-DUAL LOCK
85774-01-000 (200 MM) (2)
85774-02-000 (200 MM) (2)
SOUNDBAR
000001795 / 301429-01-000
BRACKET
000002710 / 310194-01-CHT
SCREW
000G11-08-12U (4)
SCREW
0MG02U-04-010 (2)

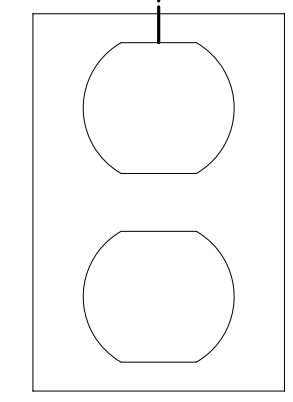
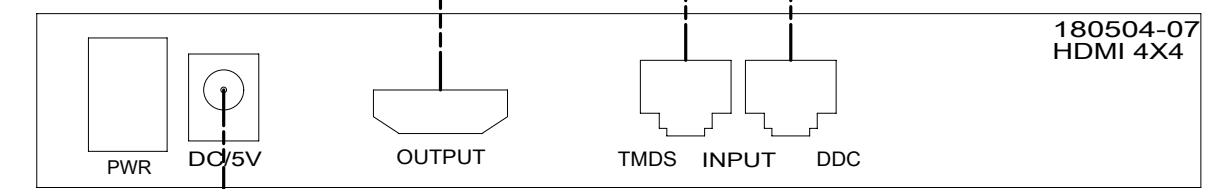
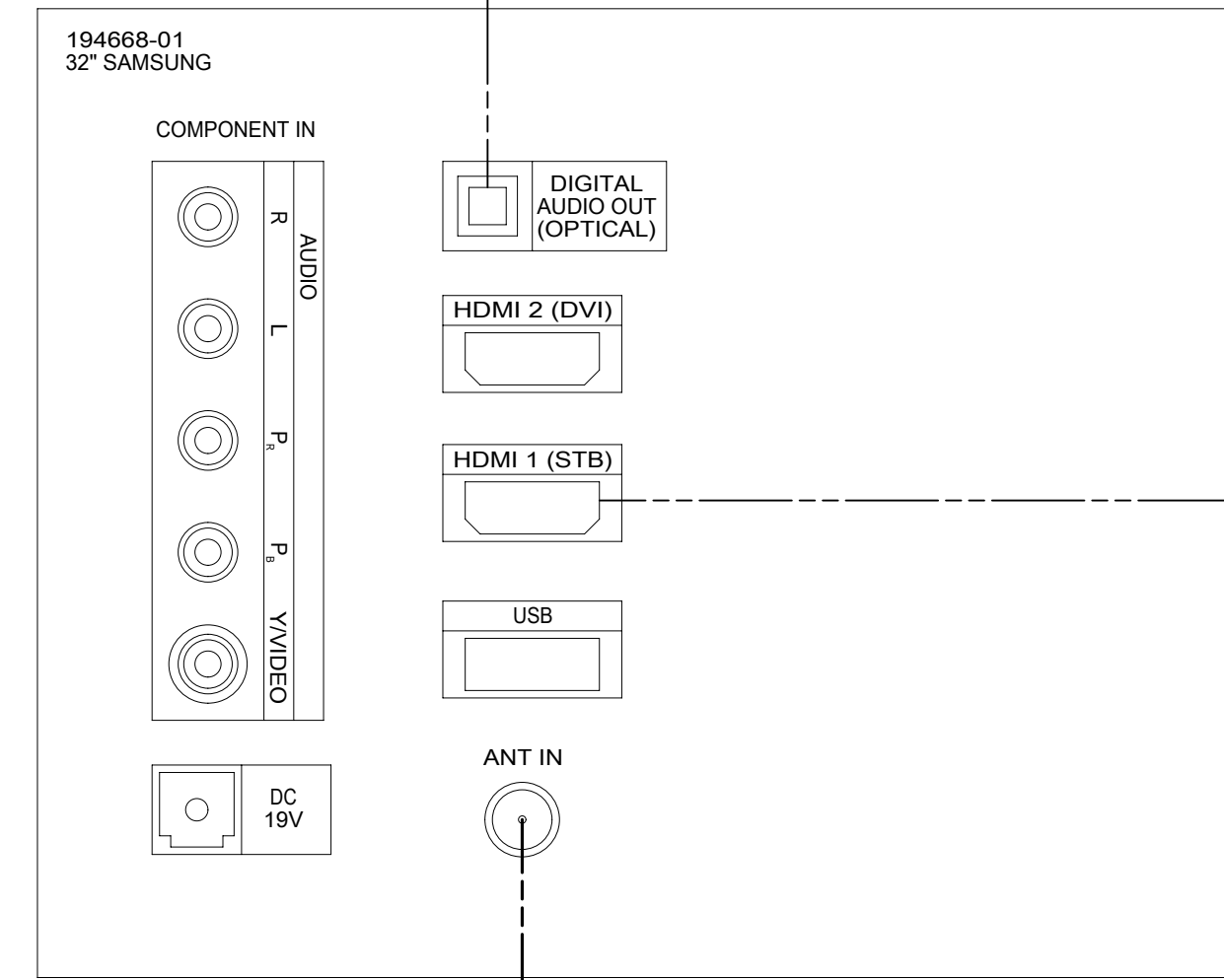
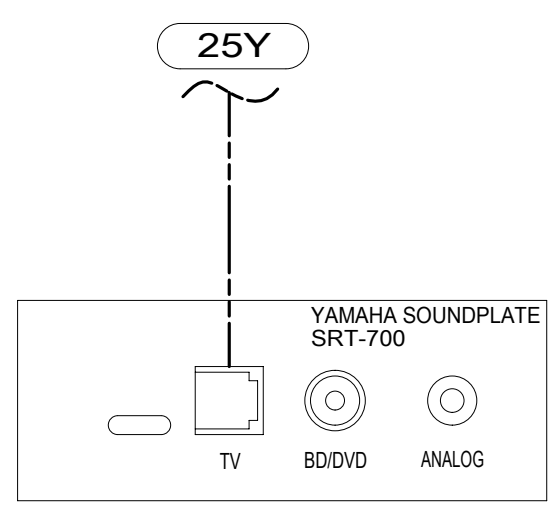
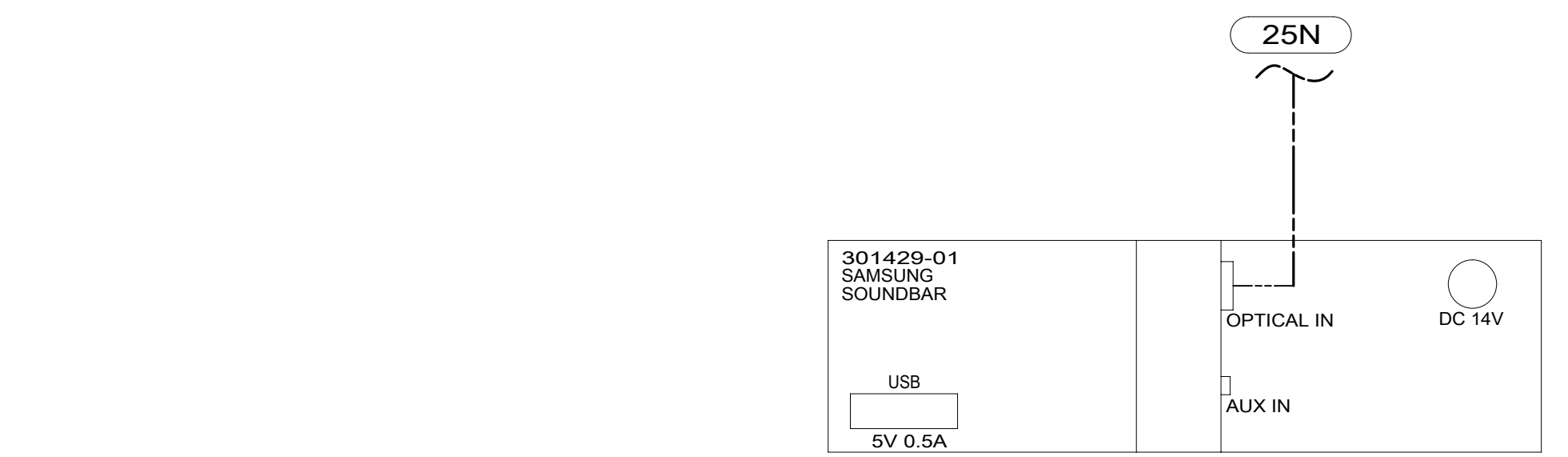
CABLE-OPTICAL
187116-02-000

CABLE-HDMI
165308-03-000

GRN CAT6
CABLES FROM
WIRE ASM-A/V

GRN/GRN
GRN

180504-07
HDMI 4X4



COAX (GRN)
FROM WIRE
ASM-A/V

DETAIL DB

FOR ELECTRICAL
TORQUE
SPECIFICATIONS
SEE DWG NO.
128783-01-000

FOR ELECTRICAL
CALLOUTS
SEE DWG NO.
121339-01-000

- 25Y HOMETHEATER SOUNDBAR SYS-PRM
- 25N HOME THEATER SOUNDBAR SYSTEM
- 265 CODES/STANDARDS-CSA/CMVSS
- 1B1 CODES/STANDARDS USA

DESCRIPTION:	1B1 265	
WIRING INSTL-TV/DVD		
SHEET:	ITEM/PART NO:	REV
4 OF 4	000002599 / 31019001000	