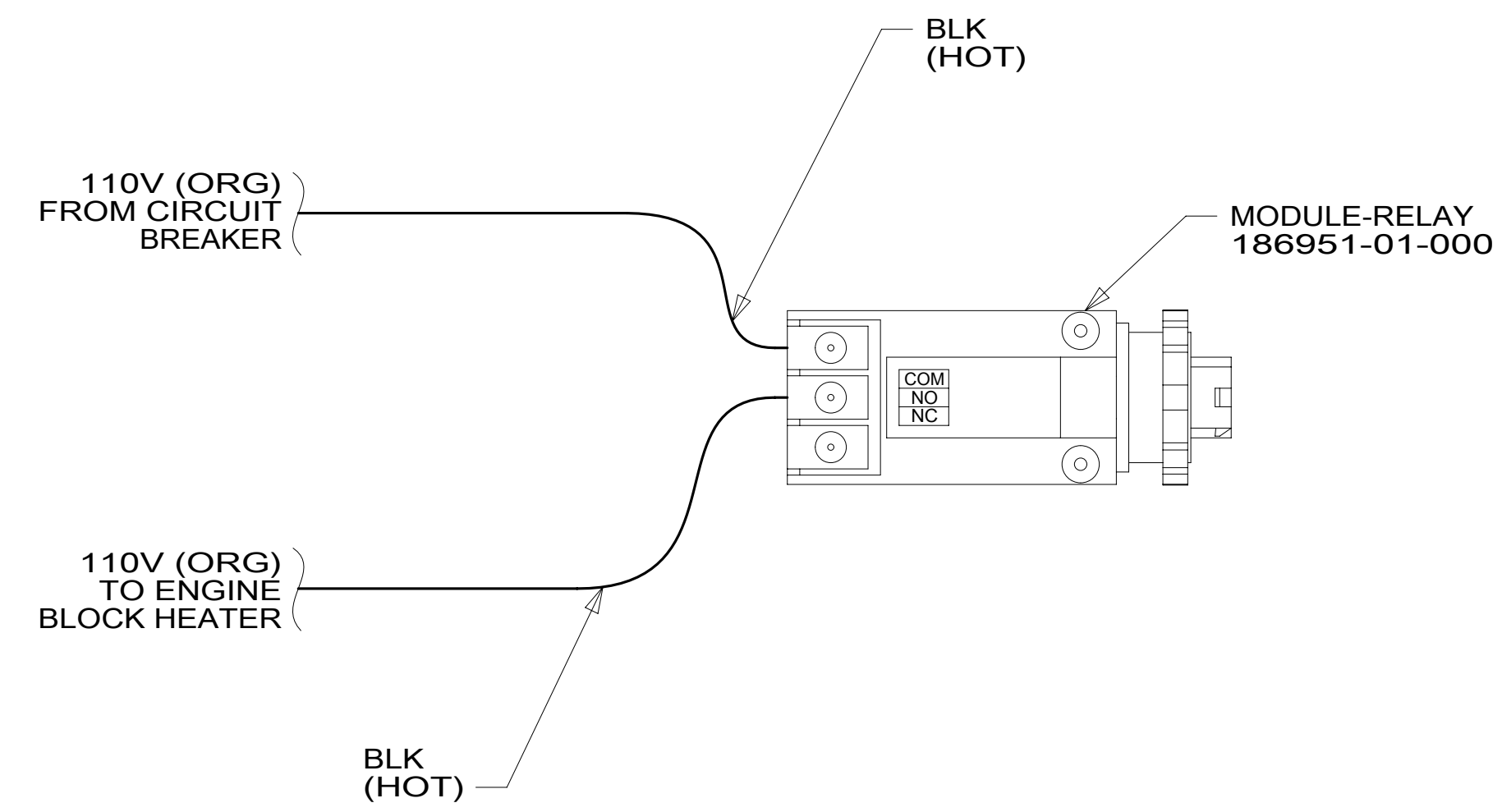


		R45RL
RED	1B1	136135-07-080
	265	136136-07-080
MAIN	1B1	174031-01-060
	265	174031-01-060
GRN	1B1	136135-08-080
	265	136136-08-080
LT BLU	1B1	136135-21-080
	265	136136-21-080
INVERTER CHARGER MAIN	1B1	136137-01-090
	265	136138-01-090
YEL	1B1	136131-05-134 ¹
	265	136134-05-134 ¹
GLD	1B1	136131-10-085
	265	136134-10-085
GLD-2	1B1	136131-20-085
	265	136134-20-085
WHT	1B1	136135-09-065
	265	136136-09-065
RANGE	1B1	136135-01-082
	265	136136-01-082
AWNING	1B1	136131-01-080
	265	136134-01-080

		R45RL
INVERTER CHARGER SUB MAIN	1B1	136137-01-096
	265	136138-01-096
BLU	1B1	136131-02-155 ¹
	265	136134-02-155 ¹
BRN	1B1	136131-03-095 ¹
	265	136134-03-095 ¹
PUR	1B1	136131-04-090
	265	136134-04-090
ORG	1B1	136131-16-060
	265	136134-16-060
BLK	1B1	136131-06-082 ¹
	265	136134-06-082 ¹
SIL	1B1	136131-11-082 ¹
	265	136134-11-082 ¹
GRY	1B1	136131-15-092 ¹
	265	136134-15-092 ¹
GROUND MAIN		136145-01-060
GROUND ATS		136145-01-030
GROUND INVERTER		136145-04-006
CABLE ASM GEN		174031-03-095
TAILGATE	1B1	136135-01-061
	265	136136-01-061



DETAIL AA

265 CODES/STANDARDS-CSA/CMVSS
 1B1 CODES/STANDARDS USA

1B1 265



DSNR:	ALL DIMENSIONS ARE IN MILLIMETERS
DFFR:	
UNSPECIFIED TOLERANCES:	MATERIAL:
WHOLE DIM (X) : 3	
ONE-PLACE (X.X) : 1.5	
TWO-PLACE (X.XX) : 0.50	
ANGLE : 1°	
REFER TO ES0018 FOR FASTENER TIGHTENING GUIDELINES	WEIGHT: (LBS) FIRST USED: 16 R45RL

DESCRIPTION: LOAD CENTER/ATS ASM		
SHEET: 1 OF 3	ITEM/PART NO: 00002556 / 31012601000	REV:

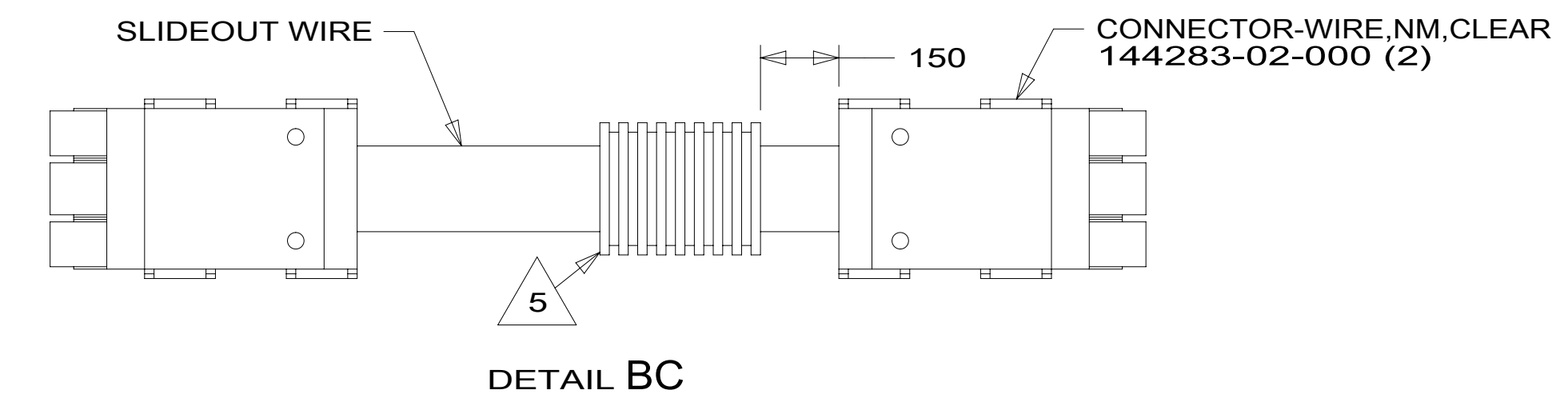
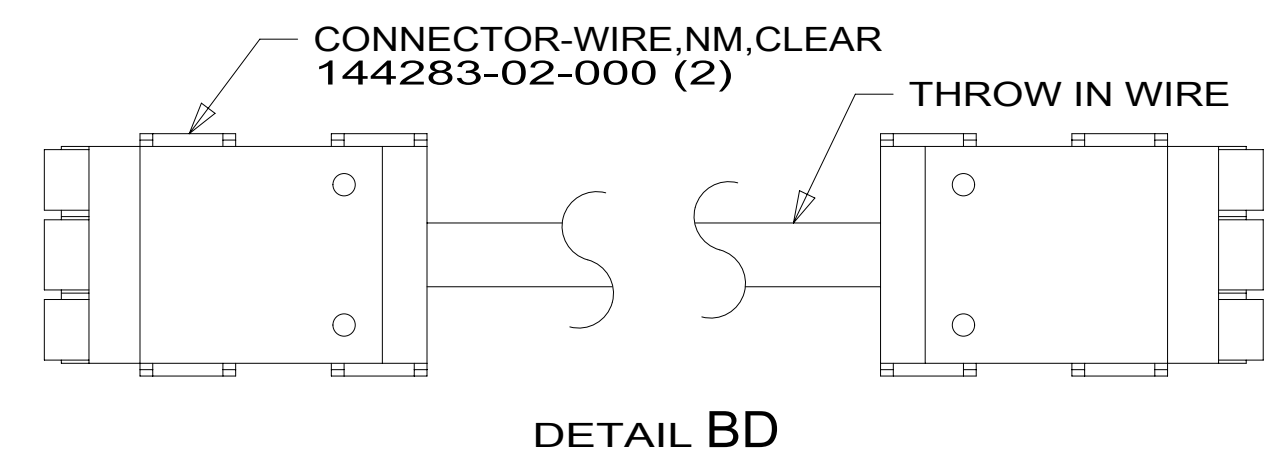
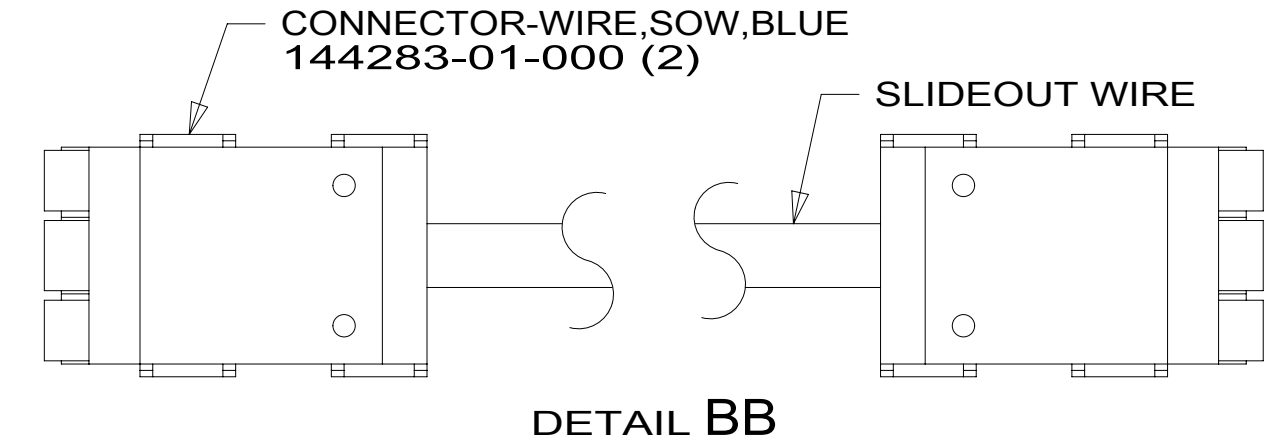
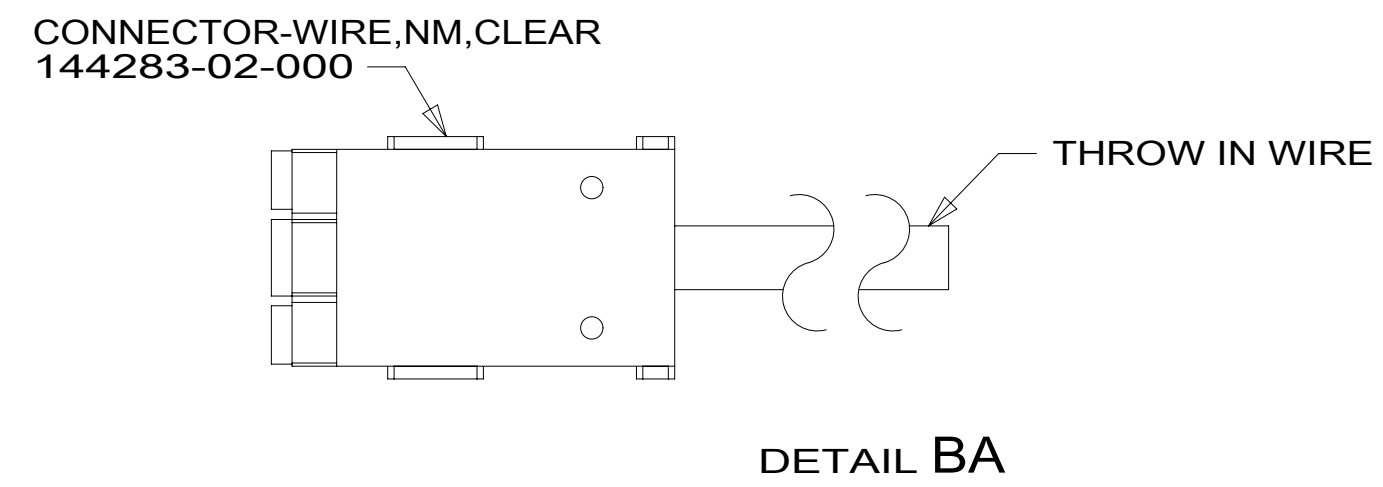
FOR ELECTRICAL TORQUE SPECIFICATIONS SEE DWG NO. 128783-01-000

FOR ELECTRICAL CALLOUTS SEE DWG NO. 121339-01-000

NOTES: ¹ SEE DETAIL BA FOR CONNECTOR INSTALLATION.

		R45RL	
SLIDEOUT WIRE #1		136151-06-027	2
SLIDEOUT WIRE #2		136151-02-027	2
SLIDEOUT WIRE #3		136151-11-027	2
SLIDEOUT WIRE #4		136152-01-027	
SLIDEOUT WIRE #5		136151-04-012	2
SLIDEOUT WIRE #6		136151-04-033	4
SLIDEOUT WIRE #7		136151-03-040	4
SLIDEOUT WIRE #8		136151-24-027	4
SLIDEOUT WIRE #9		136151-15-040	4
SLIDEOUT WIRE #10		136151-03-033	2
SLIDEOUT WIRE #11		136151-05-027	2
THROW IN WIRE #1	1B1	136131-02-045	1
	265	136134-02-045	1
THROW IN WIRE #2	1B1	136135-01-025	
	265	136136-01-025	
THROW IN WIRE #3	1B1	136131-04-064	1
	265	136134-04-064	1

		R45RL	
THROW IN WIRE #4	1B1	136131-04-030	1
	265	136134-04-030	1
THROW IN WIRE #5	1B1	136131-11-025	1
	265	136134-11-025	1
THROW IN WIRE #6	1B1	136131-03-027	1
	265	136134-03-027	1
THROW IN WIRE #7	1B1	136131-03-120	1
	265	136134-03-120	1
THROW IN WIRE #8	1B1	136131-24-095	1
	265	136134-24-095	1
THROW IN WIRE #9	1B1	136131-02-045	
	265	136134-02-045	
THROW IN WIRE #10	1B1	136131-02-070	
	265	136134-02-070	
THROW IN WIRE #11	1B1	136131-15-020	1
	265	136134-15-020	1
THROW IN WIRE #12	1B1	136131-24-040	1
	265	136134-24-040	1
THROW IN WIRE #13	1B1	136131-04-060	3
	265	136134-04-060	3
THROW IN WIRE #15	1B1	136131-04-048	685
	265	136134-04-048	685
THROW IN WIRE #16	1B1	136131-03-050	1
	265	136134-03-050	1
THROW IN WIRE #17	1B1	136131-05-025	1
	265	136134-05-025	1



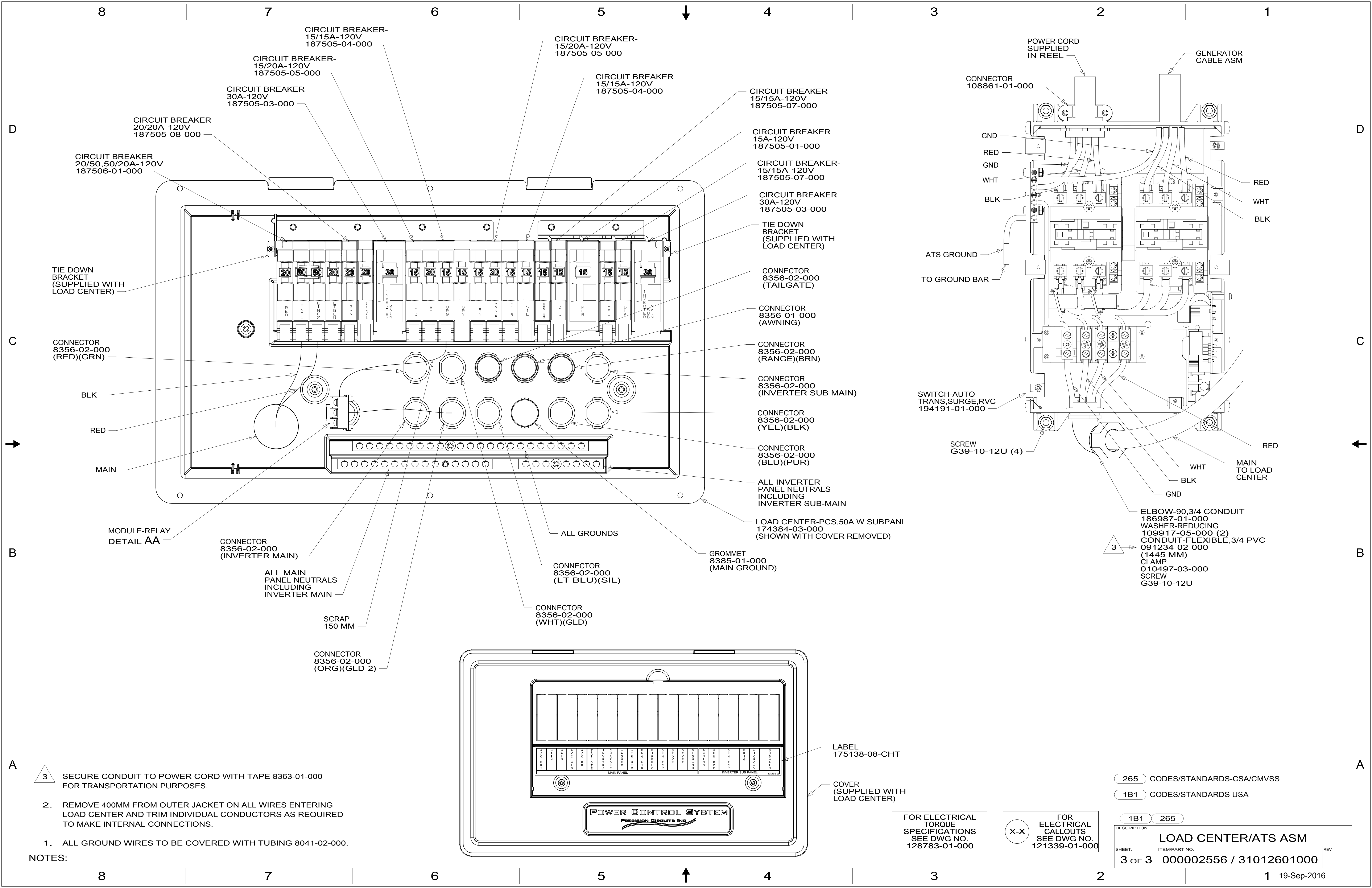
- NOTES:
- 5 APPLY 300MM OF CONDUIT-CONVOLUTE 41953-05-000 OVER WIRE AT DIMENSION SHOWN AND SECURE BOTH ENDS OF TUBING TO WIRE WITH TAPE 8363-01-000.
 - 4 SEE DETAIL BC FOR CONNECTOR INSTALLATION.
 - 3 SEE DETAIL BD FOR CONNECTOR INSTALLATION.
 - 2 SEE DETAIL BB FOR CONNECTOR INSTALLATION.
 - 1 SEE DETAIL BA FOR CONNECTOR INSTALLATION.

FOR ELECTRICAL TORQUE SPECIFICATIONS SEE DWG NO. 128783-01-000

FOR ELECTRICAL CALLOUTS SEE DWG NO. 121339-01-000

- 685 TV - BATHROOM
- 265 CODES/STANDARDS-CSA/CMVSS
- 1B1 CODES/STANDARDS-USA

DESCRIPTION:		1B1 265
LOAD CENTER/ATS ASM		
SHEET:	ITEM/PART NO:	REV
2 OF 3	000002556 / 31012601000	



CIRCUIT BREAKER-
15/15A-120V
187505-04-000

CIRCUIT BREAKER-
15/20A-120V
187505-05-000

CIRCUIT BREAKER
30A-120V
187505-03-000

CIRCUIT BREAKER
20/20A-120V
187505-08-000

CIRCUIT BREAKER
20/50,50/20A-120V
187506-01-000

CIRCUIT BREAKER-
15/20A-120V
187505-05-000

CIRCUIT BREAKER
15/15A-120V
187505-04-000

CIRCUIT BREAKER
15/15A-120V
187505-07-000

CIRCUIT BREAKER
15A-120V
187505-01-000

CIRCUIT BREAKER-
15/15A-120V
187505-07-000

CIRCUIT BREAKER
30A-120V
187505-03-000

TIE DOWN
BRACKET
(SUPPLIED WITH
LOAD CENTER)

CONNECTOR
8356-02-000
(TAILGATE)

CONNECTOR
8356-01-000
(AWNING)

CONNECTOR
8356-02-000
(RANGE)(BRN)

CONNECTOR
8356-02-000
(INVERTER SUB MAIN)

CONNECTOR
8356-02-000
(YEL)(BLK)

CONNECTOR
8356-02-000
(BLU)(PUR)

ALL INVERTER
PANEL NEUTRALS
INCLUDING
INVERTER SUB-MAIN

LOAD CENTER-PCS,50A W SUBPANL
174384-03-000
(SHOWN WITH COVER REMOVED)

GROMMET
8385-01-000
(MAIN GROUND)

CONNECTOR
8356-02-000
(LT BLU)(SIL)

CONNECTOR
8356-02-000
(WHT)(GLD)

CONNECTOR
8356-02-000
(ORG)(GLD-2)

CONNECTOR
8356-02-000
(WHT)(GLD)

CONNECTOR
108861-01-000

GND

RED

GND

WHT

BLK

ATS GROUND

TO GROUND BAR

SWITCH-AUTO
TRANS.SURGE,RVC
194191-01-000

SCREW
G39-10-12U (4)

RED

WHT

BLK

GND

ELBOW-90,3/4 CONDUIT
186987-01-000

WASHER-REDUCING
109917-05-000 (2)

CONDUIT-FLEXIBLE,3/4 PVC
091234-02-000
(1445 MM)

CLAMP
010497-03-000

SCREW
G39-10-12U

RED

WHT

BLK

GND

MAIN
TO LOAD
CENTER

TIE DOWN
BRACKET
(SUPPLIED WITH
LOAD CENTER)

CONNECTOR
8356-02-000
(RED)(GRN)

BLK

RED

MAIN

MODULE-RELAY
DETAIL AA

CONNECTOR
8356-02-000
(INVERTER MAIN)

ALL MAIN
PANEL NEUTRALS
INCLUDING
INVERTER-MAIN

SCRAP
150 MM

CONNECTOR
8356-02-000
(ORG)(GLD-2)

LABEL
175138-08-CHT

COVER
(SUPPLIED WITH
LOAD CENTER)

POWER CONTROL SYSTEM
PRECISION CIRCUITS INC

- 3 SECURE CONDUIT TO POWER CORD WITH TAPE 8363-01-000 FOR TRANSPORTATION PURPOSES.
2. REMOVE 400MM FROM OUTER JACKET ON ALL WIRES ENTERING LOAD CENTER AND TRIM INDIVIDUAL CONDUCTORS AS REQUIRED TO MAKE INTERNAL CONNECTIONS.
1. ALL GROUND WIRES TO BE COVERED WITH TUBING 8041-02-000.

FOR ELECTRICAL
TORQUE
SPECIFICATIONS
SEE DWG NO.
128783-01-000

FOR
ELECTRICAL
CALLOUTS
SEE DWG NO.
121339-01-000

- 265 CODES/STANDARDS-CSA/CMVSS
- 1B1 CODES/STANDARDS USA

DESCRIPTION:	LOAD CENTER/ATS ASM	
SHEET:	ITEM/PART NO:	REV
3 OF 3	000002556 / 31012601000	