



**DANGER**

**Danger of electrical shock, burns or death.** Always remove all power sources before attempting any repair, service or diagnostic work. Power can be present from shore power, generator, inverter or battery. All power sources must be disabled and secured before performing any service.

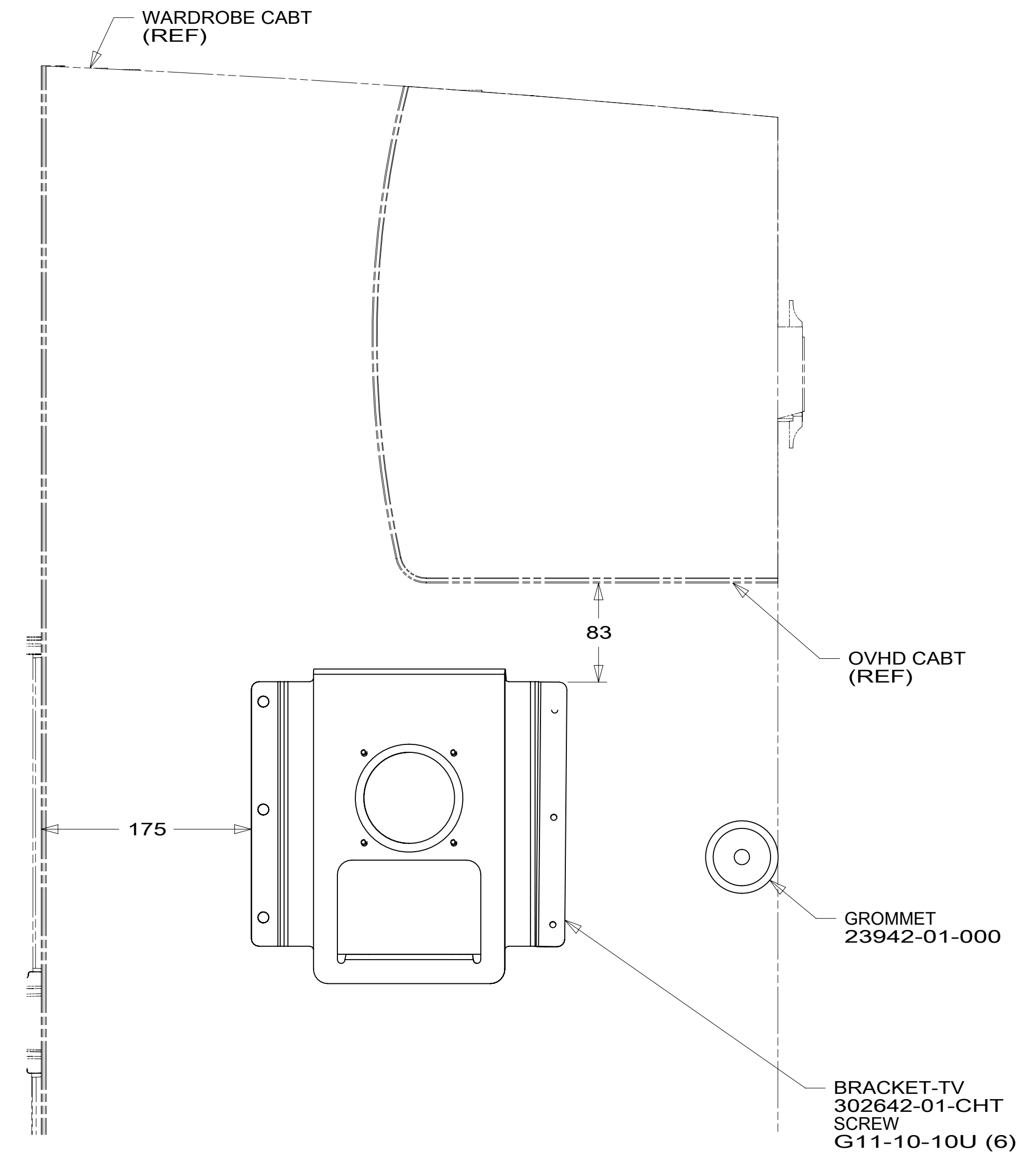


**CAUTION**

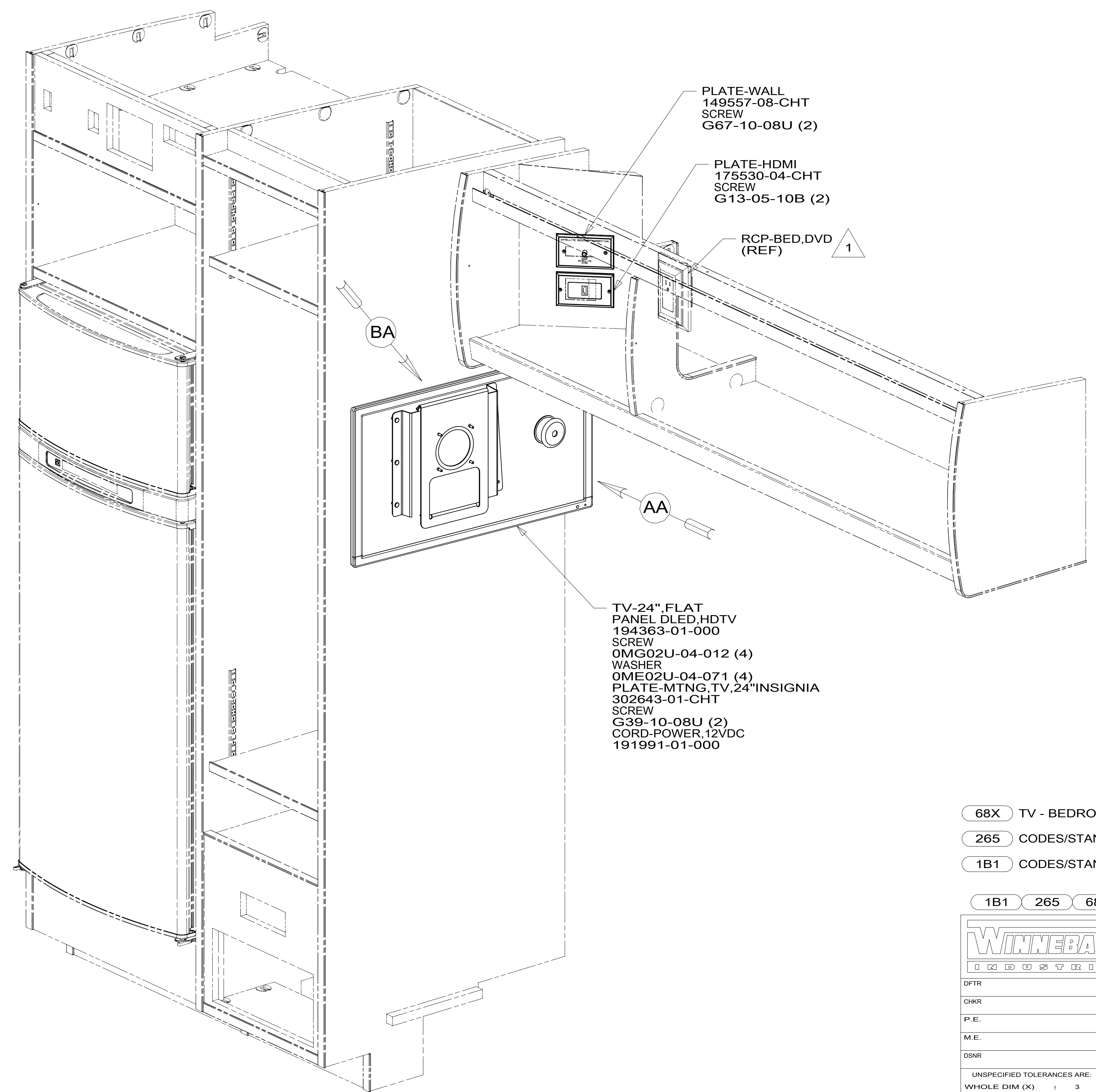
If you lack the skills, tools or equipment to perform diagnostic or repair work leave such work to an authorized Winnebago Industries dealer or other qualified shop.

| DRAWING NO. | UNIT | SHEETS     |
|-------------|------|------------|
| 191391-01   | H25T | 1,2,3,4    |
| 191391-02   | H25P | 5,6,7,8    |
| 191391-03   | H25Q | 9,10,11,12 |

|          |                 |        |          |
|----------|-----------------|--------|----------|
| RELEASE  | REV/DATE        | DWG NO | 191391   |
| REV ZONE | REVISION RECORD | DATE   | DFT-ORIG |



VIEW AA  
(TV NOT SHOWN)



- 68X TV - BEDROOM
- 265 CODES/STANDARDS-CSA/CMVSS
- 1B1 CODES/STANDARDS USA

1B1 265 68X

**WINNEBAGO**

COPYRIGHT 2014  
WINNEBAGO  
INDUSTRIES, INC.

|                             |  |
|-----------------------------|--|
| DFT-ORIG                    | ORIG. DATE   |
| CHKR                        | ALL DIMENSIONS ARE IN MILLIMETERS                  |
| P.E.                        |  |
| M.E.                        | FIRST USED   |
| DSNR                        | <b>15 H-SERIES</b>                                 |
| UNSPECIFIED TOLERANCES ARE: |  |
| WHOLE DIM (X)               | : 3  |
| ONE-PLACE (X.X)             | : 1.5  |
| TWO-PLACE (X.XX)            | : 0.50   |
| ANGLE                       | : 1°   |
| THIRD ANGLE PROJECTION      |  |
| DO NOT SCALE DRAWING        | REFER TO ES0018 FOR FASTENER TIGHTENING GUIDELINES |

FOR ELECTRICAL TORQUE SPECIFICATIONS SEE DWG NO. 128783-01-000

FOR ELECTRICAL CALLOUTS SEE DWG NO. 121339-01-000

1 SEE WIRING INSTL-BODY,110V FOR ADDITIONAL INFORMATION.

\*191391\*

8

7

6

5

4

3

2

1

D

D

C

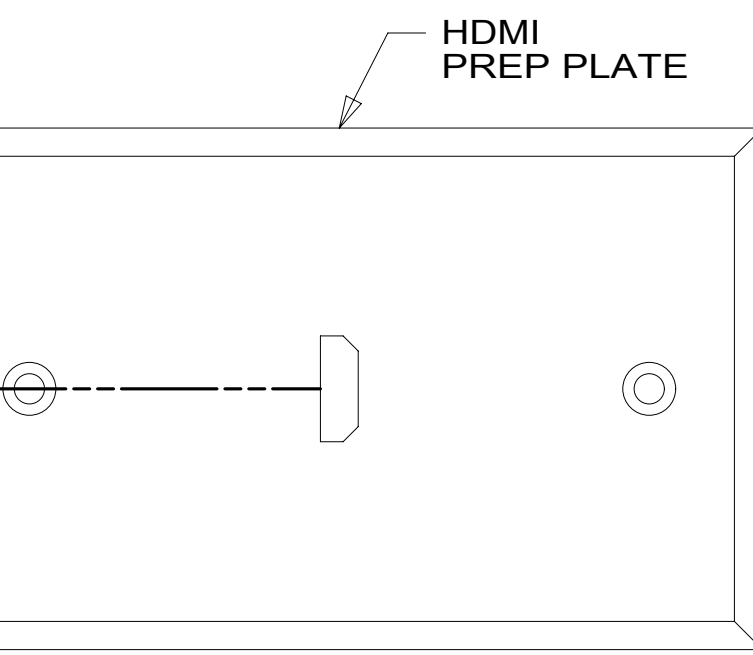
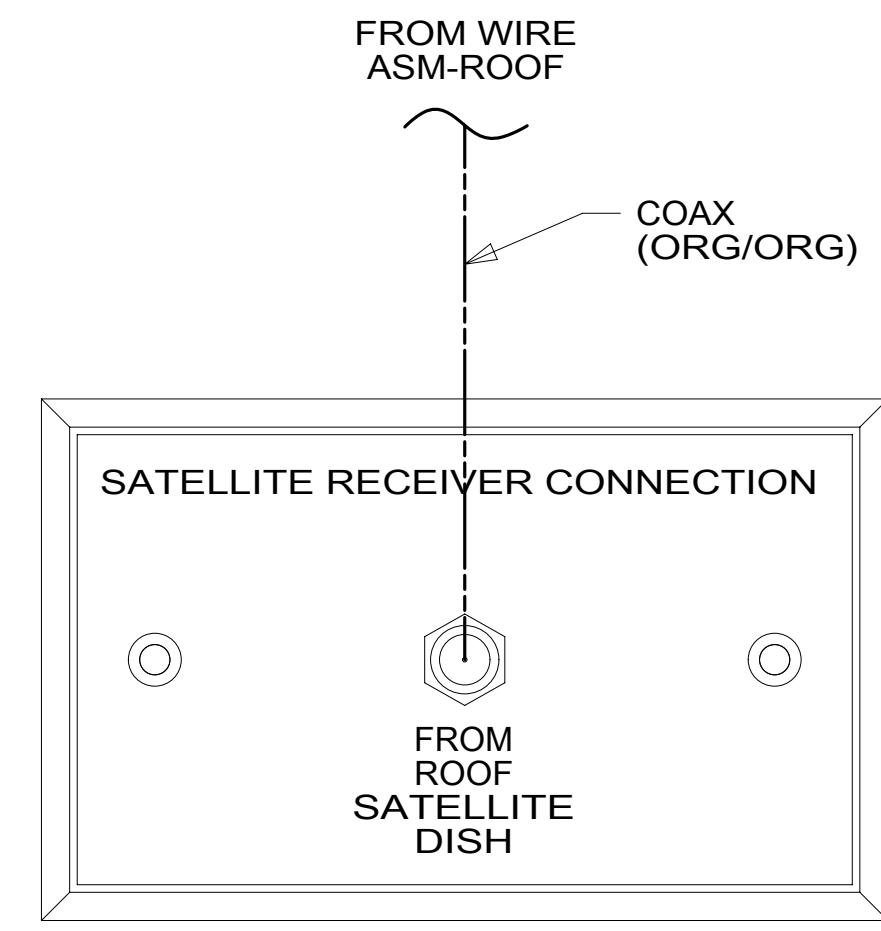
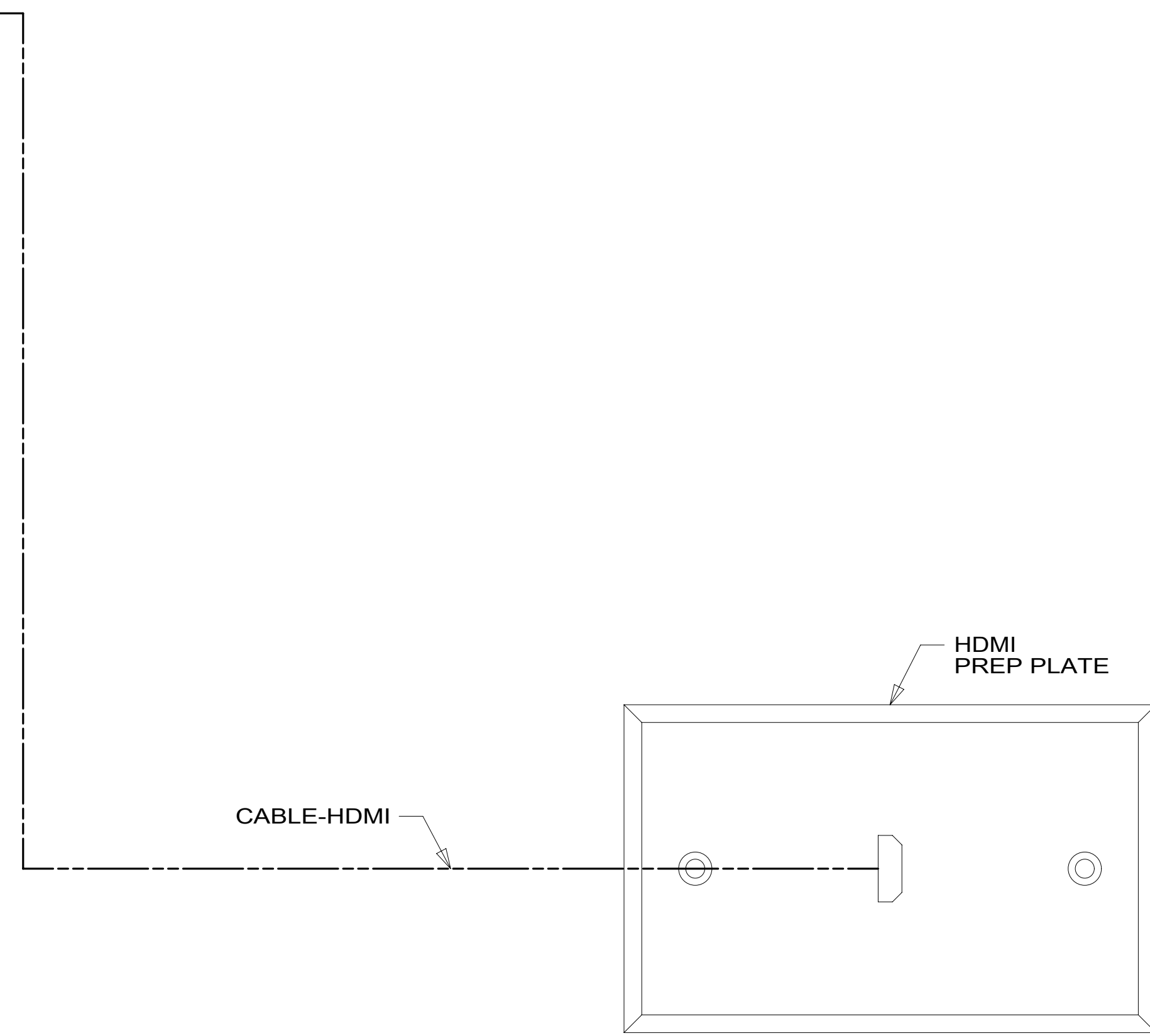
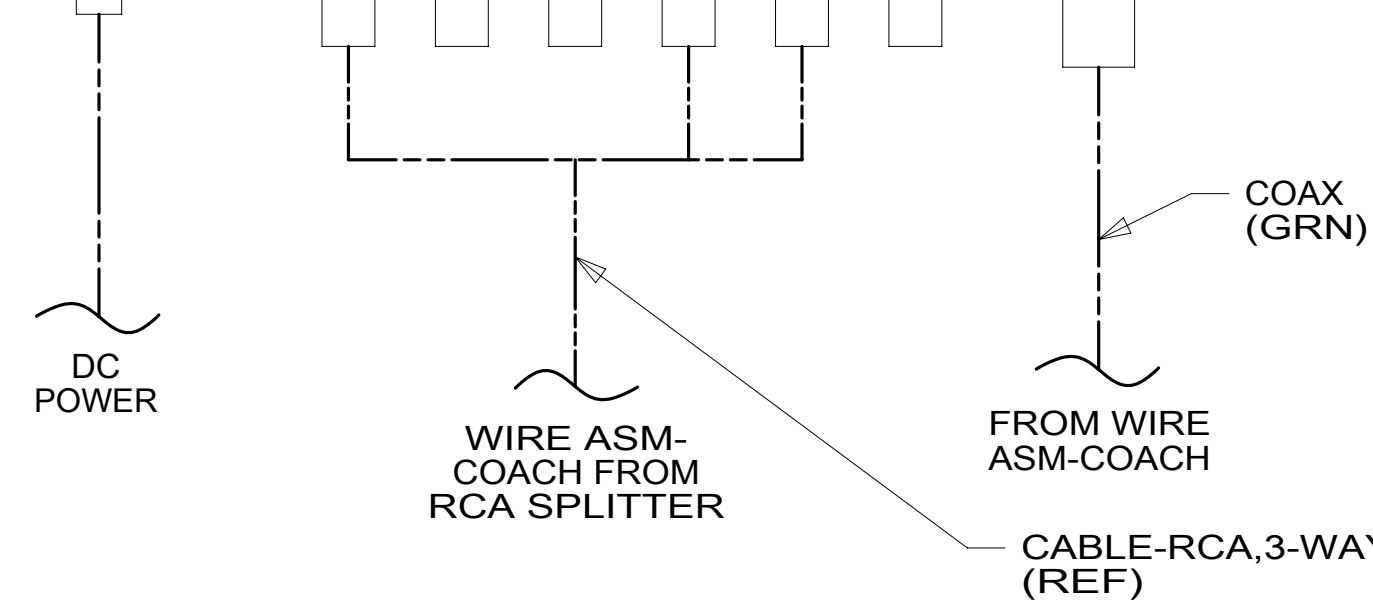
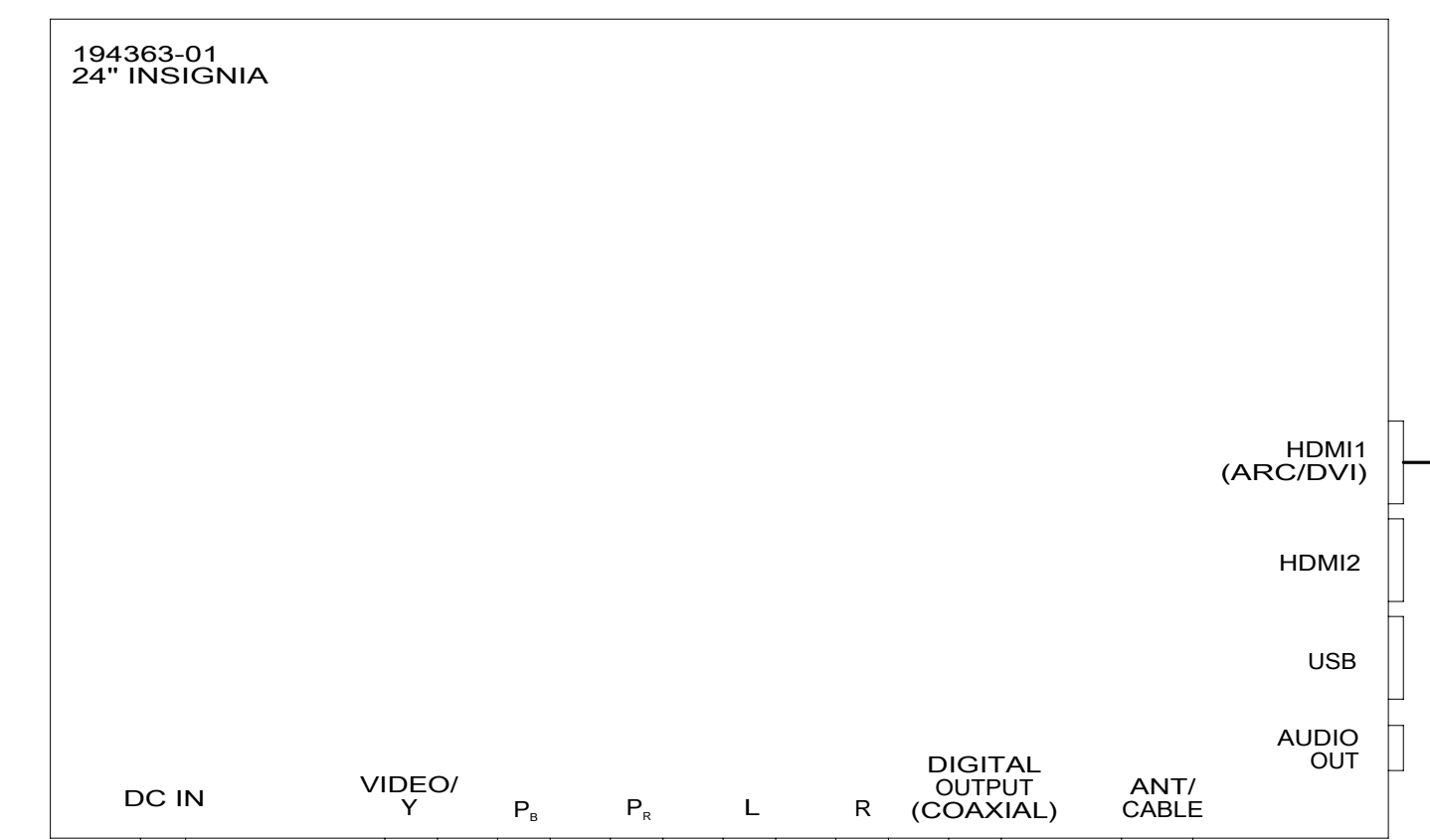
C

B

B

A

A



DETAIL BA

- 68X TV - BEDROOM
- 265 CODES/STANDARDS-CSA/CMVSS
- 1B1 CODES/STANDARDS USA

1B1 265 68X

|                                   |                           |
|-----------------------------------|---------------------------|
| FIRST USED                        |                           |
| <b>15 H-SERIES</b>                |                           |
| DO NOT SCALE DRAWING              |                           |
| TITLE: <b>WIRING INSTL-TV/DVD</b> |                           |
| SHEET 2                           | PART NO <b>191391</b> REV |

FOR ELECTRICAL TORQUE SPECIFICATIONS SEE DWG NO. 128783-01-000

X-X FOR ELECTRICAL CALLOUTS SEE DWG NO. 121339-01-000

\*191391\*

8

7

6

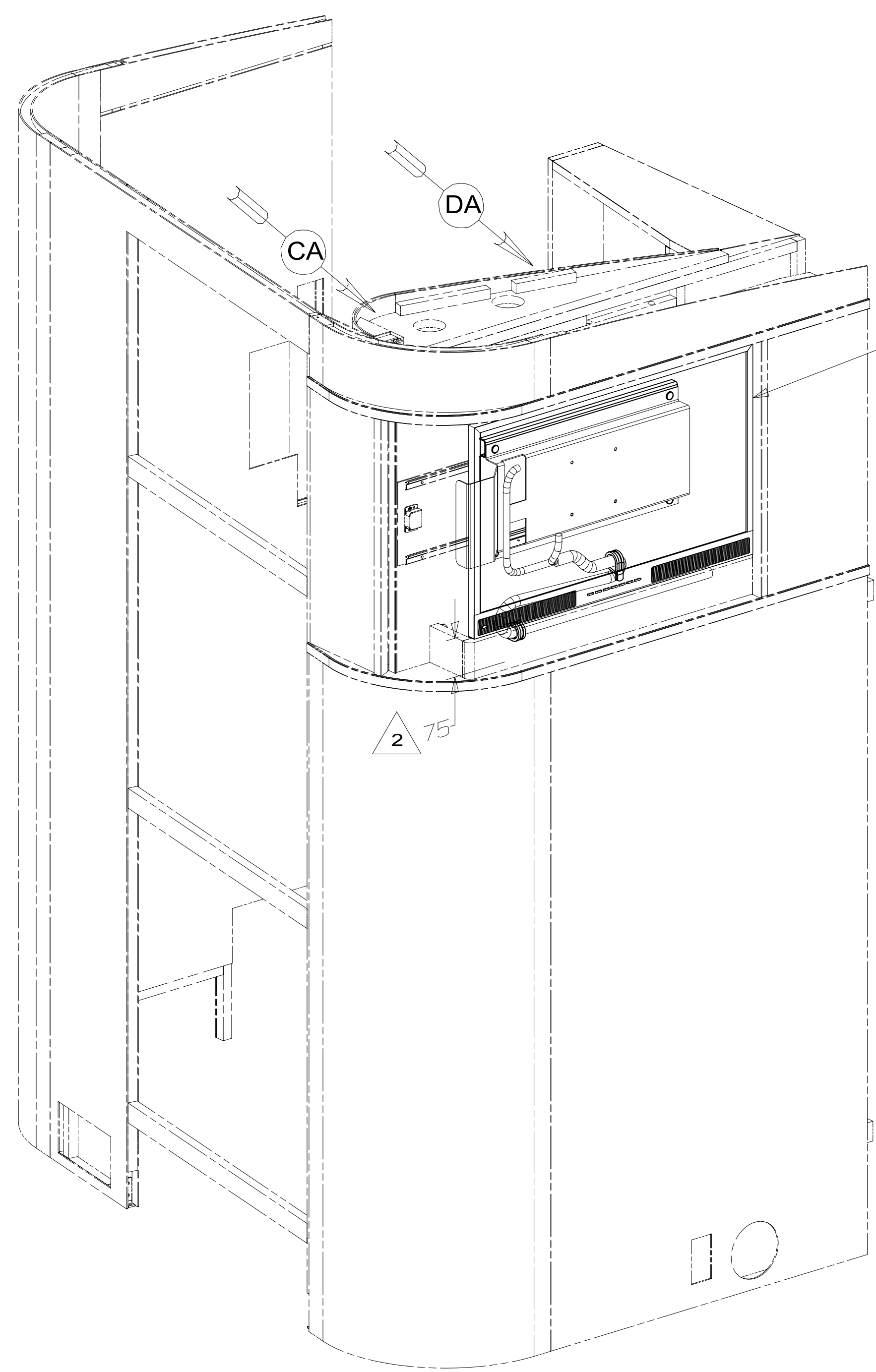
5

4

3

2

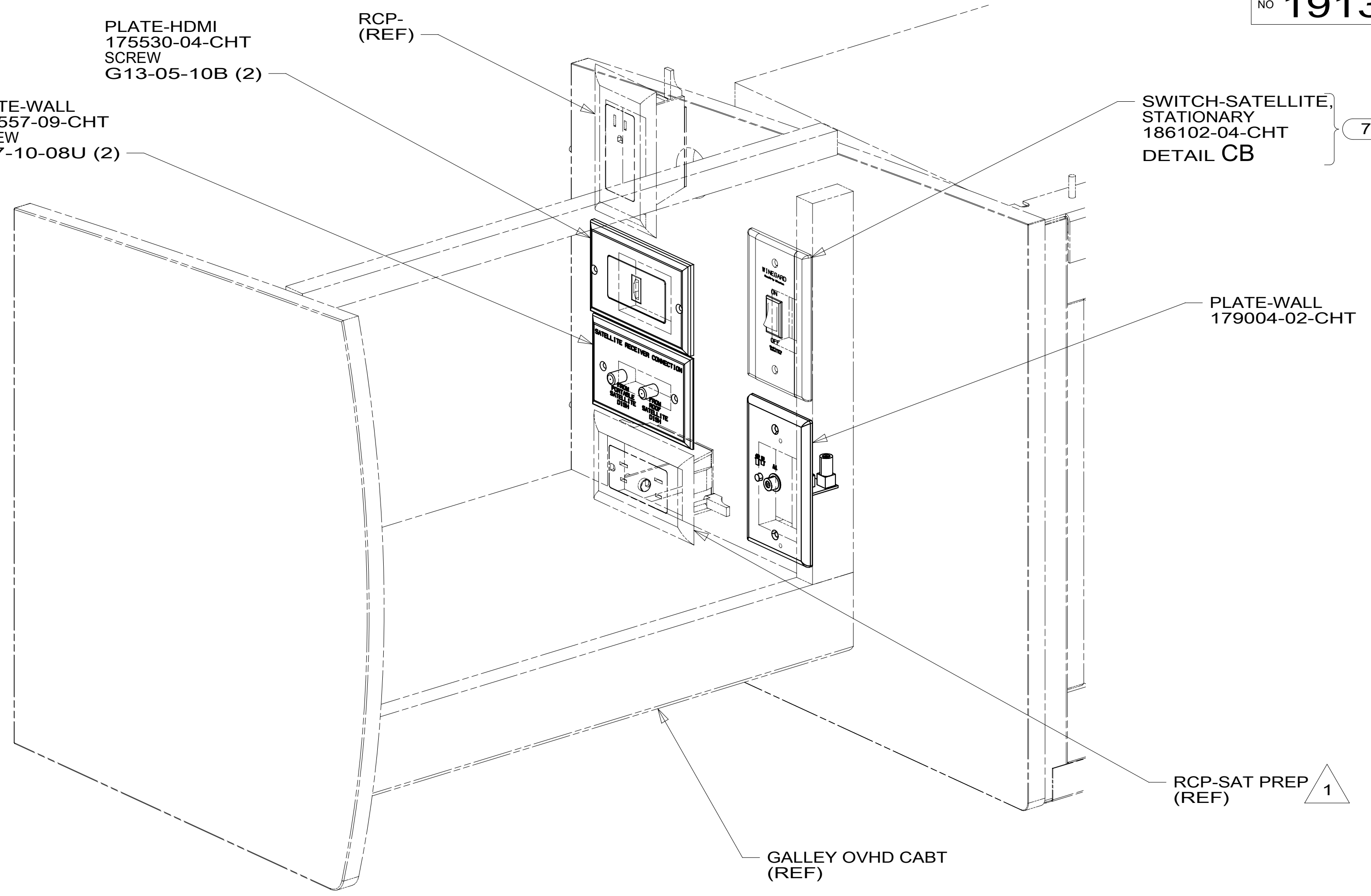
1



TV-28" FLAT  
 PANEL LED,HDTV  
 191159-01-000  
 BRACKET ASM-TV  
 177831-01-XXX  
 BRACKET-TV MTG  
 179661-13-CHT  
 SCREW  
 OMG02B-04-012 (4)  
 NUT  
 D39-04-00B (4)  
 WIRE ASM-POWER,12V  
 170909-02-000  
 CONNECTOR-RCA,90  
 179394-01-000 (3)

PLATE-HDMI  
 175530-04-CHT  
 SCREW  
 G13-05-10B (2)

PLATE-WALL  
 149557-09-CHT  
 SCREW  
 G67-10-08U (2)

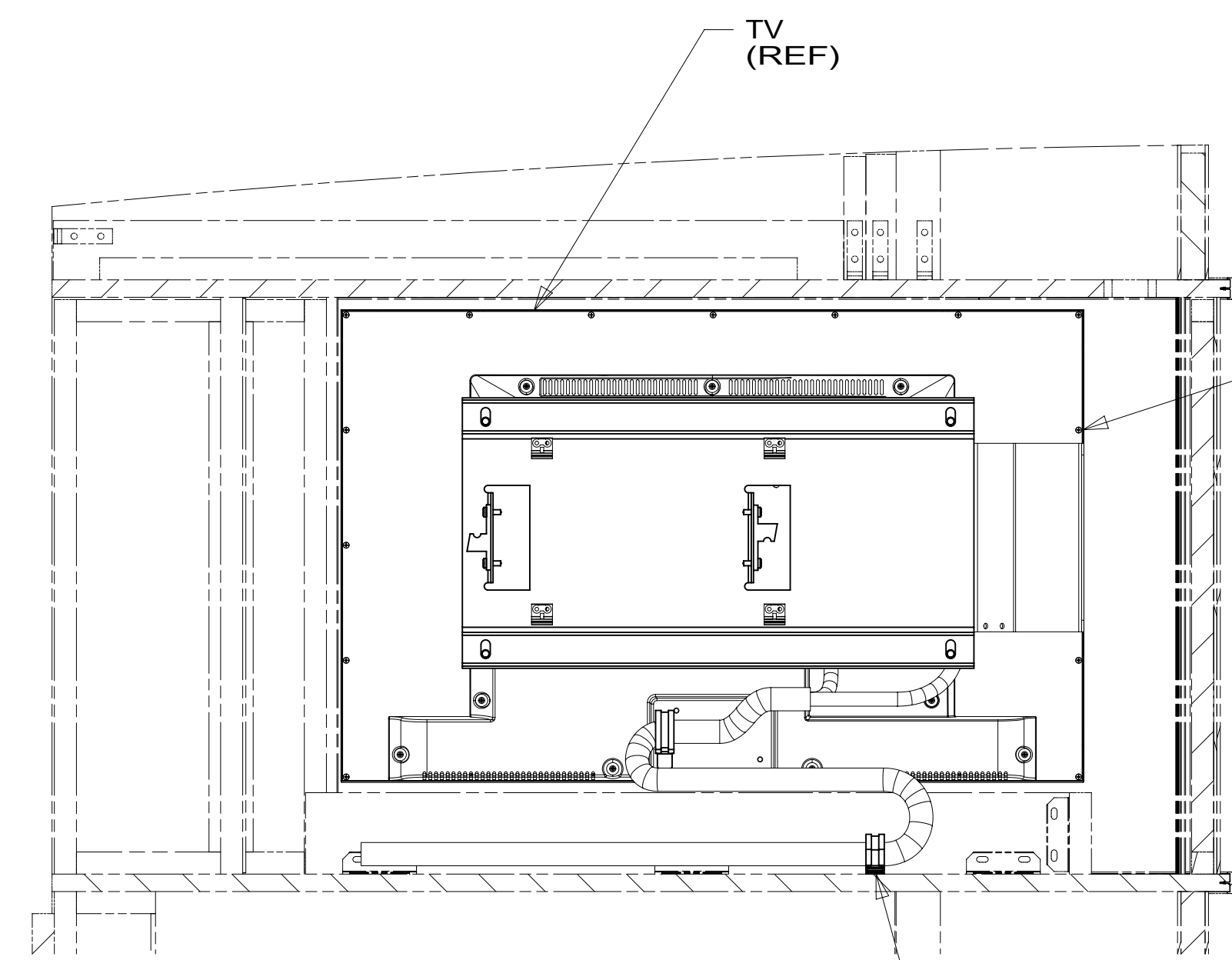


SWITCH-SATELLITE,  
 STATIONARY  
 186102-04-CHT  
 DETAIL CB

PLATE-WALL  
 179004-02-CHT

RCP-SAT PREP  
 (REF)

GALLEY OVHD CABT  
 (REF)



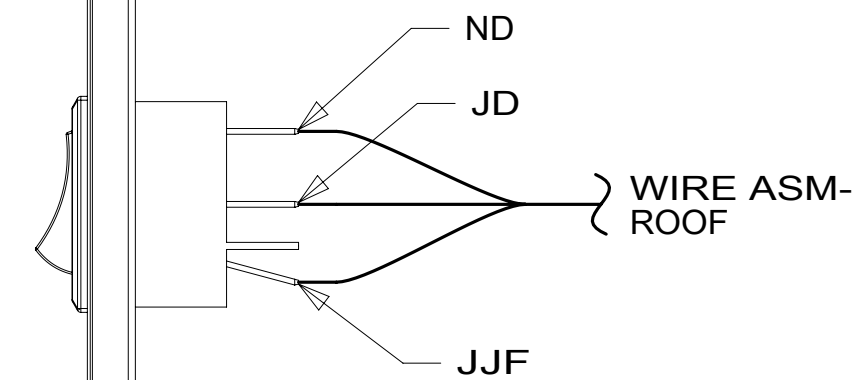
TIE-WIRE  
 8343-02-000  
 (TO HOLE IN  
 BRACKET)

CLAMP  
 10497-03-000 (2)  
 SCREW  
 G11-08-12U (2)

VIEW CA

SWITCH-SATELLITE  
 (REF)

SCREW  
 G12-06-12U (2)



DETAIL CB 78K

- 78K SATELLITE TV SYSTEM AUTO
- 68G TV-28" COLOR,STEREO W/REMOTE
- 265 CODES/STANDARDS-CSA/CMVSS
- 1B1 CODES/STANDARDS USA

1B1 265 68G

**15 H-SERIES**

DO NOT SCALE DRAWING

TITLE: **WIRING INSTL-TV/DVD**

SHEET 3 PART NO **191391** REV

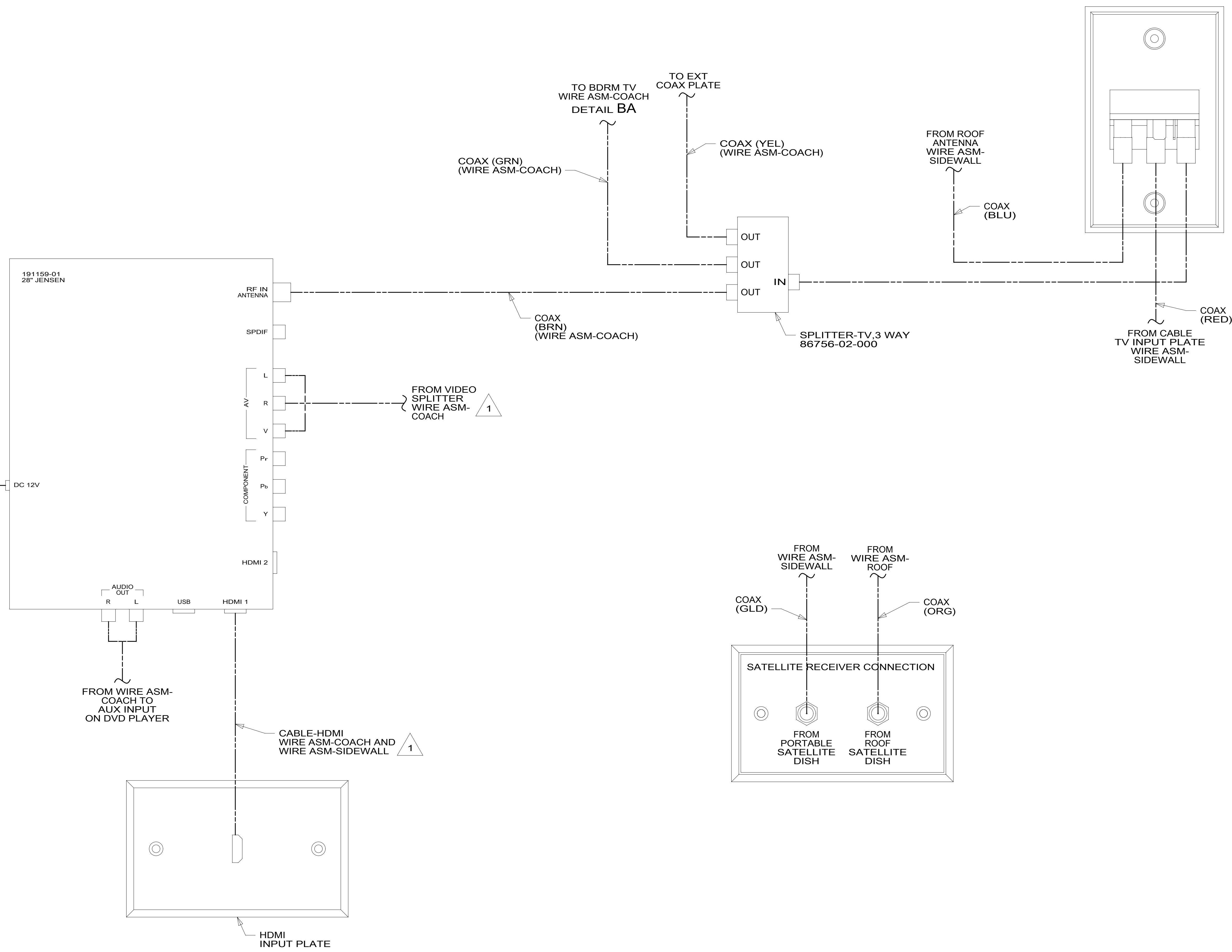
FOR ELECTRICAL  
 TORQUE  
 SPECIFICATIONS  
 SEE DWG NO.  
 128783-01-000

FOR ELECTRICAL  
 CALLOUTS  
 SEE DWG NO.  
 121339-01-000

2 DIMENSION BETWEEN THE SHELF AND THE BOTTOM OF THE TV.  
 1 SEE WIRING INSTL-BODY,110V FOR ADDITIONAL INFORMATION.

NOTES:

\*191391\*



1 SEE WIRING INSTL-BODY, 12V FOR ADDITIONAL INFORMATION.

DETAIL DA

FOR ELECTRICAL TORQUE SPECIFICATIONS SEE DWG NO. 128783-01-000

FOR ELECTRICAL CALLOUTS SEE DWG NO. 121339-01-000

- 68G TV-28" COLOR, STEREO W/REMOTE
- 265 CODES/STANDARDS-CSA/CMVSS
- 1B1 CODES/STANDARDS USA

1B1 265 68G

|                                   |                            |
|-----------------------------------|----------------------------|
| FIRST USED                        |                            |
| <b>15 H-SERIES</b>                |                            |
| DO NOT SCALE DRAWING              |                            |
| TITLE: <b>WIRING INSTL-TV/DVD</b> |                            |
| SHEET 4                           | PART NO. <b>191391</b> REV |
| 1 23-Oct-2015                     |                            |

\*191391\*

8 7 6 5 4 3 2 1

D

D

C

C

B

B

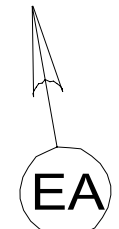
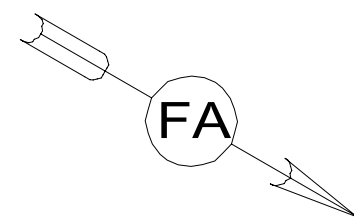
A

A

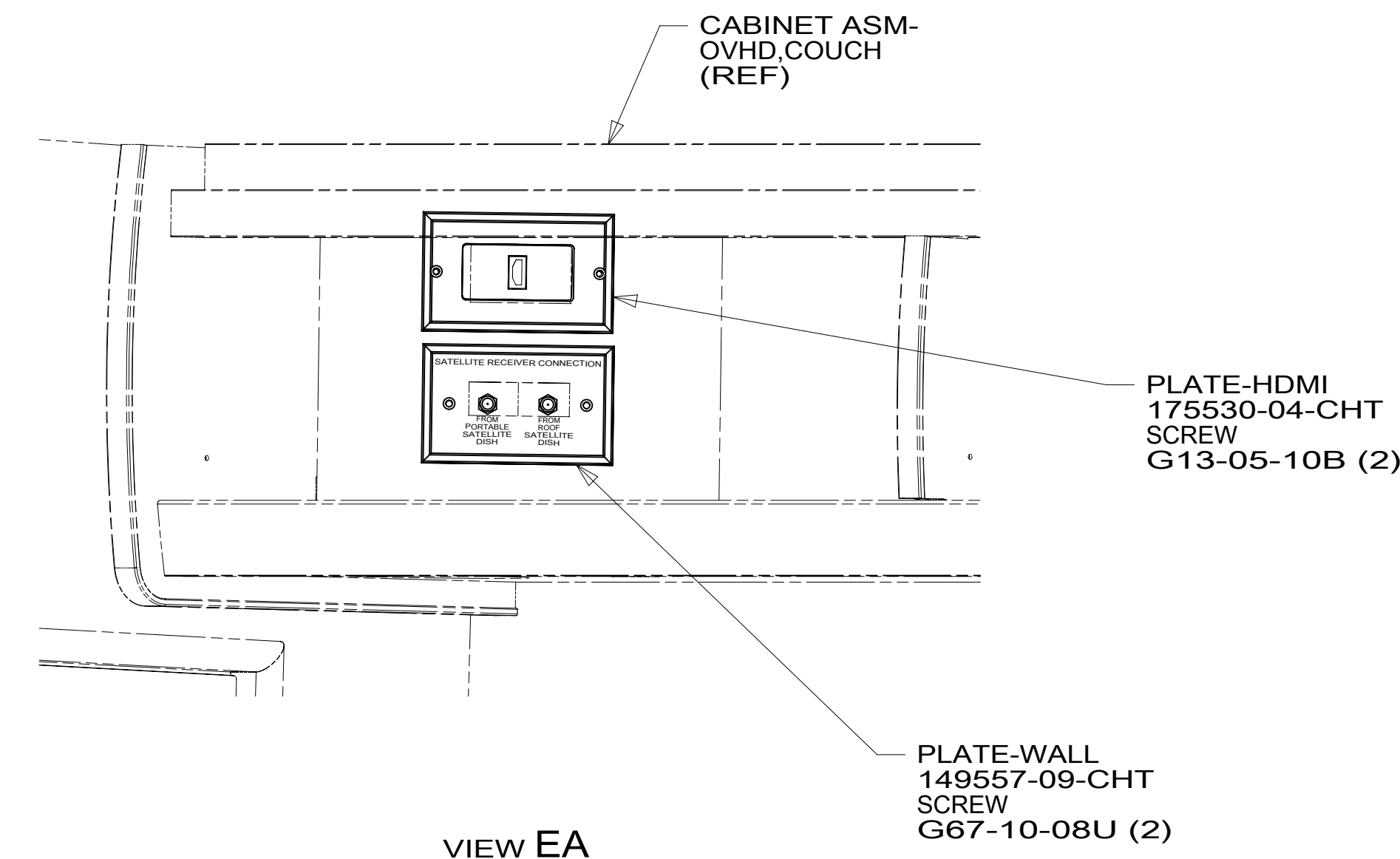
8 7 6 5 4 3 2 1



TV-32" FLAT  
PANEL LCD,HDTV  
180912-03-000  
BRACKET-MOUNT,TV  
164708-04-CHT  
SCREW  
OMG02B-04-016 (4)  
SCREW  
G11-10-10U (9)  
WIRE ASM-POWER,12V  
170909-02-000



SCREW LOWER MOUNT  
SUPPLIED WITH TV



265 CODES/STANDARDS-CSA/CMVSS

1B1 CODES/STANDARDS USA

1B1 265

FIRST USED  
**15 H-SERIES**

DO NOT SCALE DRAWING

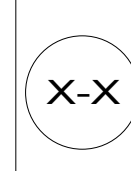
TITLE:  
**WIRING INSTL-TV/DVD**

SHEET 5 PART NO **191391** REV

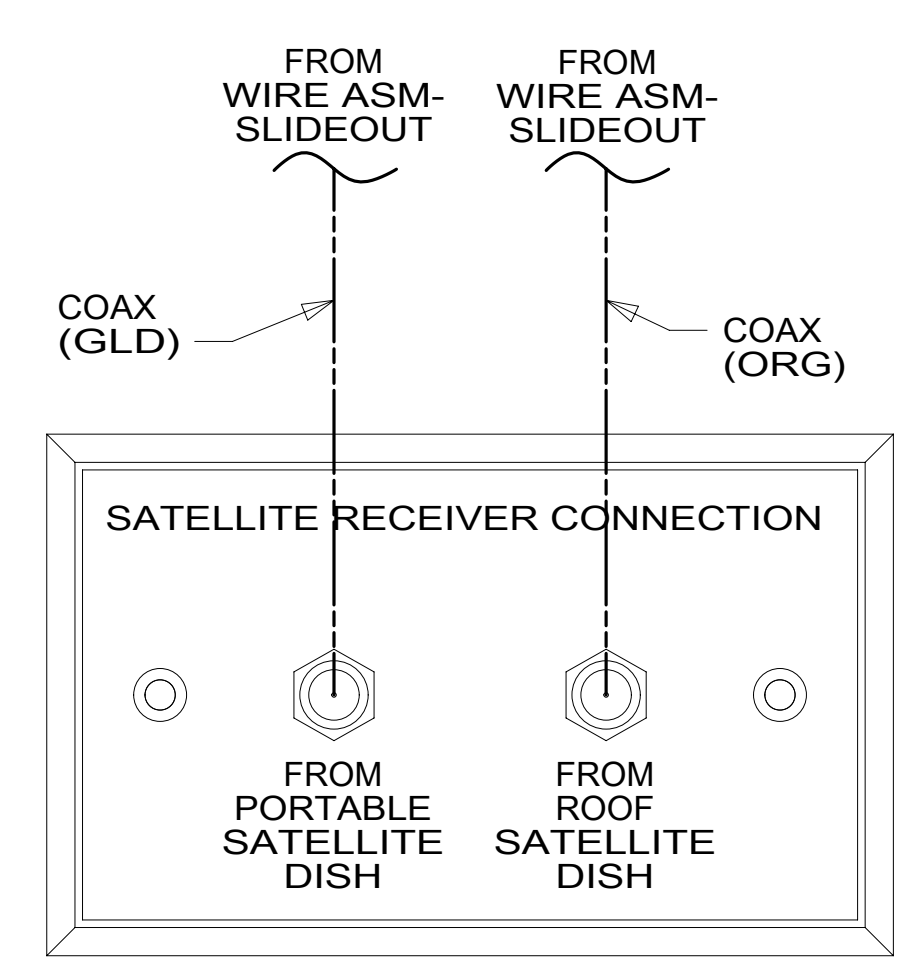
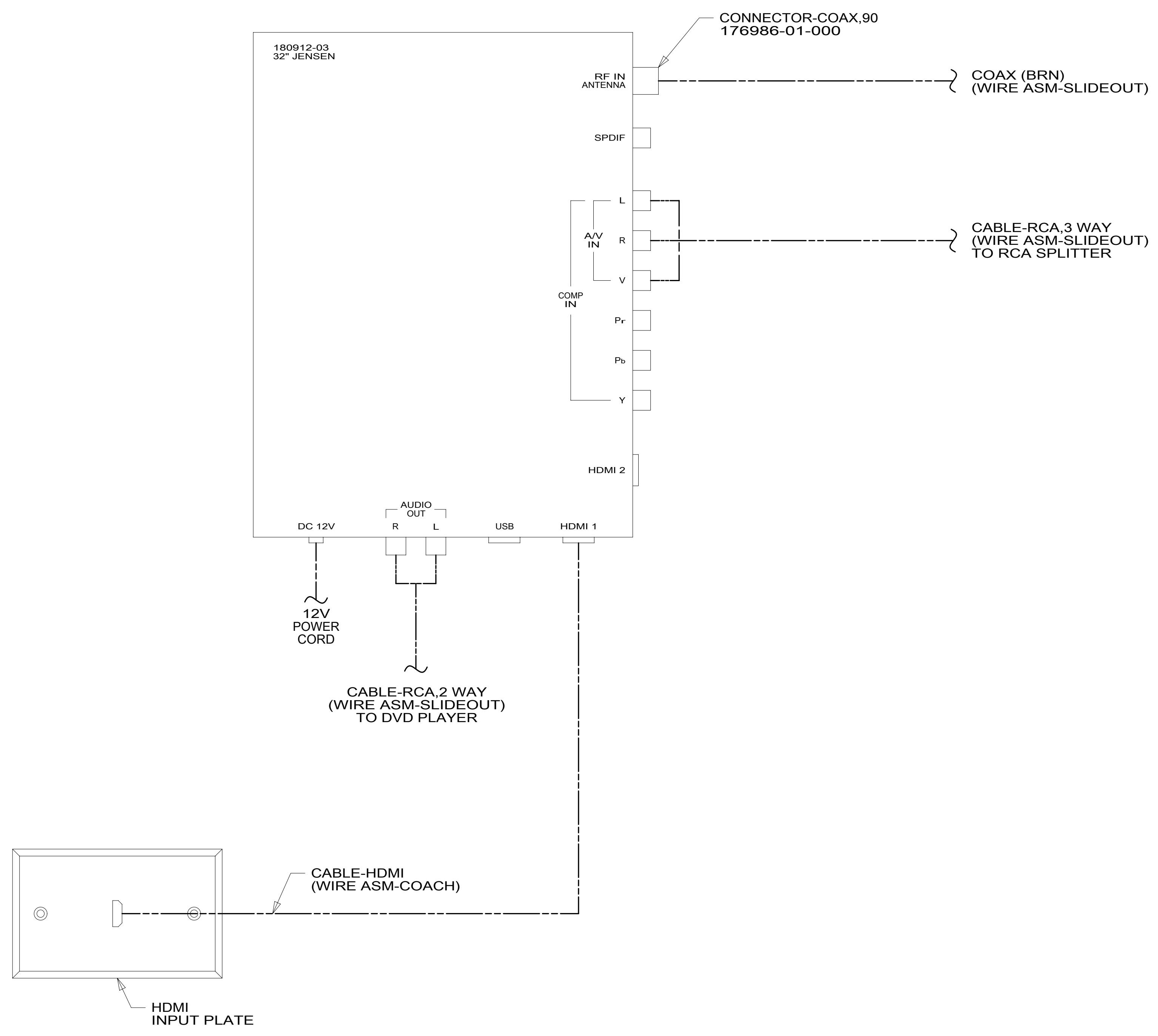
1 23-Oct-2015

FOR ELECTRICAL  
TORQUE  
SPECIFICATIONS  
SEE DWG NO.  
128783-01-000

FOR ELECTRICAL  
CALLOUTS  
SEE DWG NO.  
121339-01-000



\*191391\*



DETAIL FA

FOR ELECTRICAL TORQUE SPECIFICATIONS SEE DWG NO. 128783-01-000

FOR ELECTRICAL CALLOUTS SEE DWG NO. 121339-01-000

265 CODES/STANDARDS-CSA/CMVSS

1B1 CODES/STANDARDS USA

1B1 265

|                                   |                           |
|-----------------------------------|---------------------------|
| FIRST USED                        |                           |
| <b>15 H-SERIES</b>                |                           |
| DO NOT SCALE DRAWING              |                           |
| TITLE: <b>WIRING INSTL-TV/DVD</b> |                           |
| SHEET 6                           | PART NO <b>191391</b> REV |
| 1 23-Oct-2015                     |                           |

\*191391\*

8 7 6 5 4 3 2 1

D

C

B

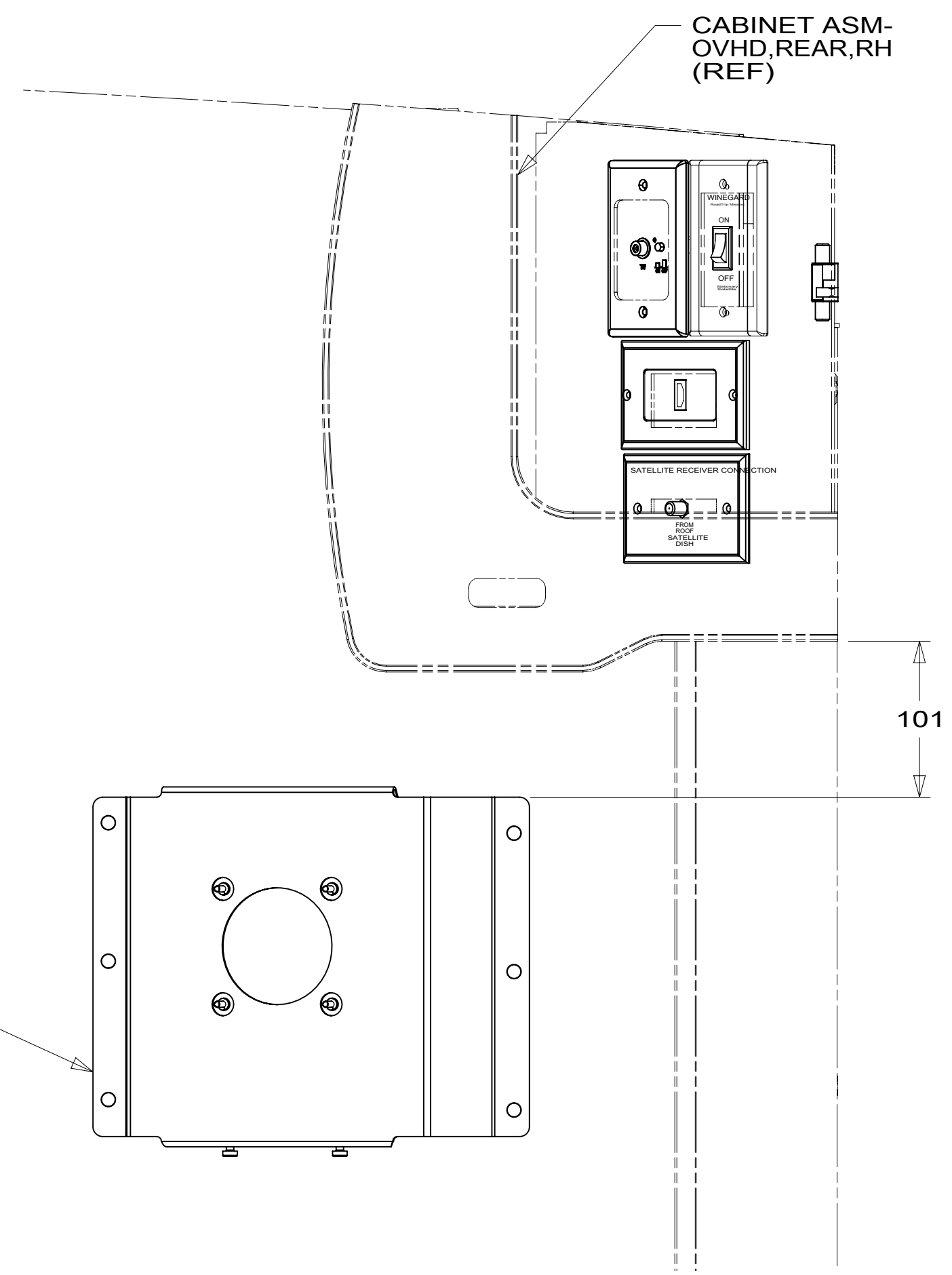
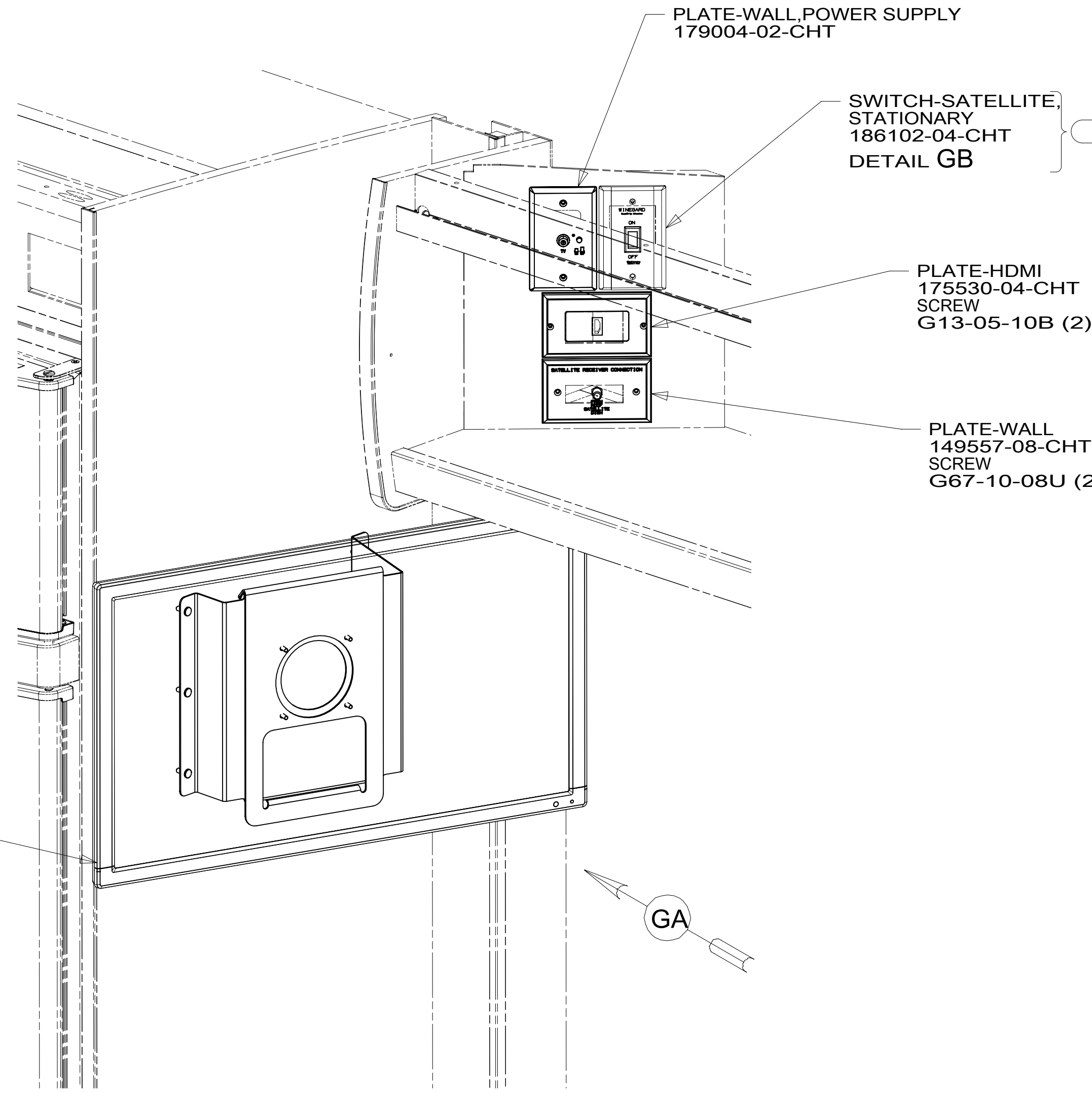
A

D

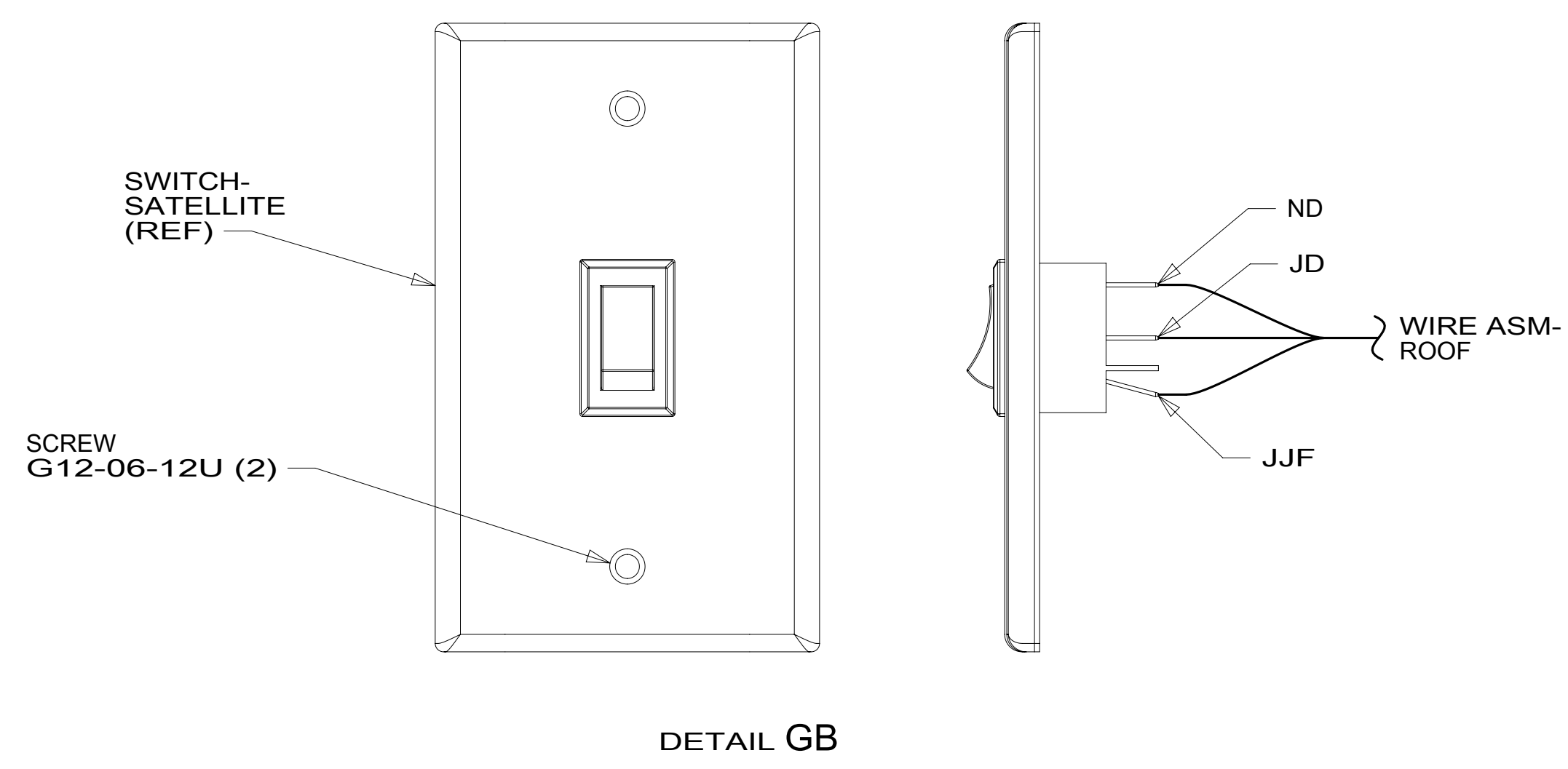
C

B

A



VIEW GA



FOR ELECTRICAL  
TORQUE  
SPECIFICATIONS  
SEE DWG NO.  
128783-01-000

X-X  
FOR  
ELECTRICAL  
CALLOUTS  
SEE DWG NO.  
121339-01-000

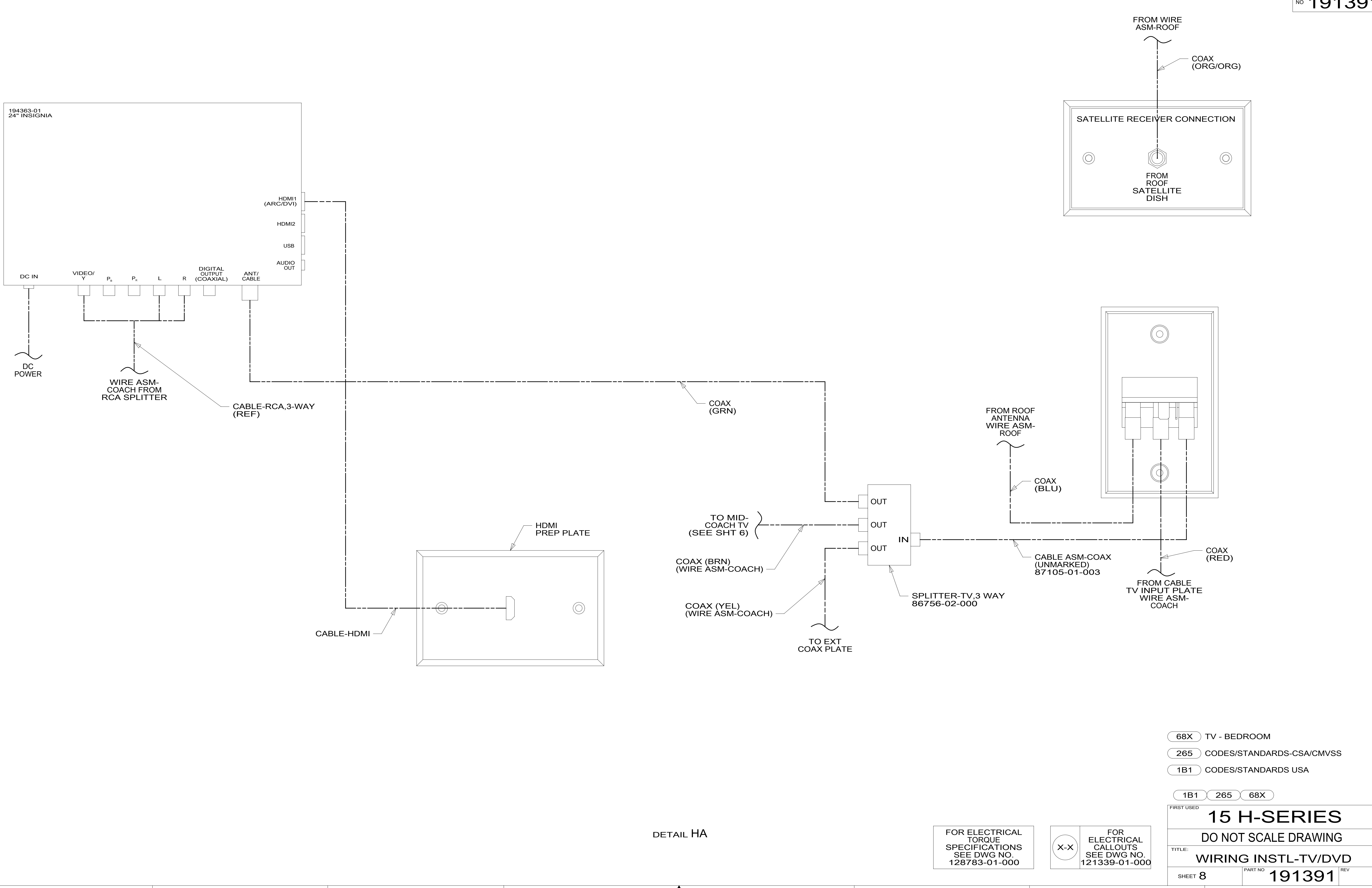
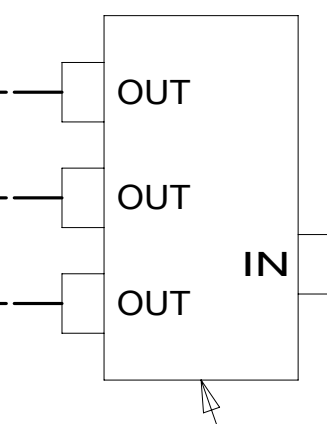
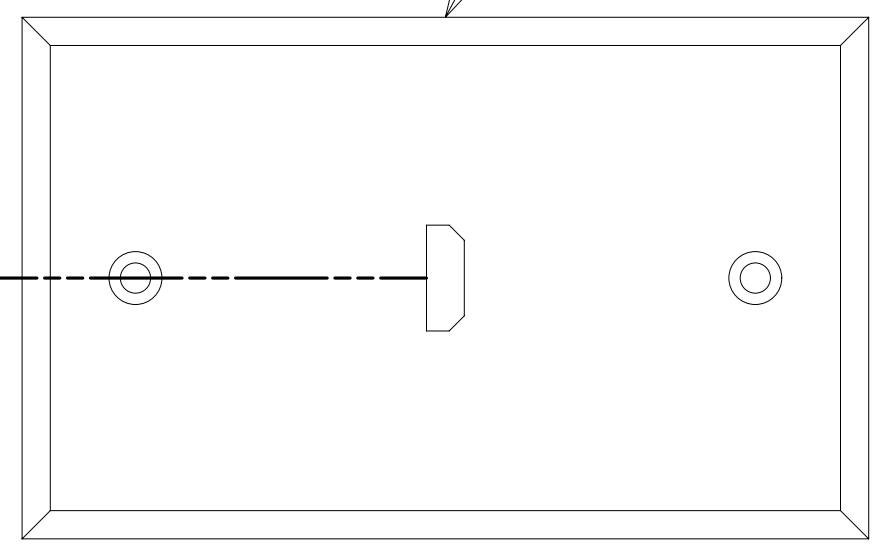
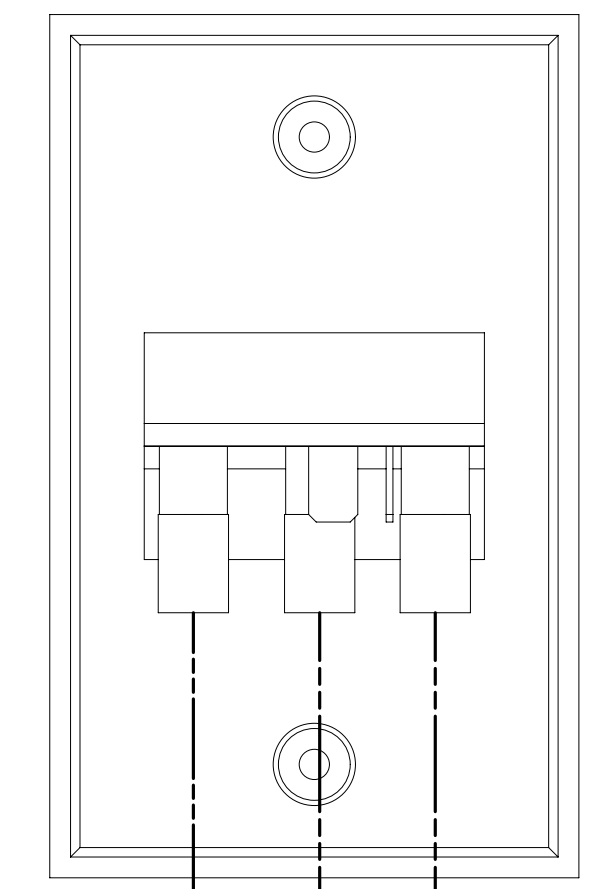
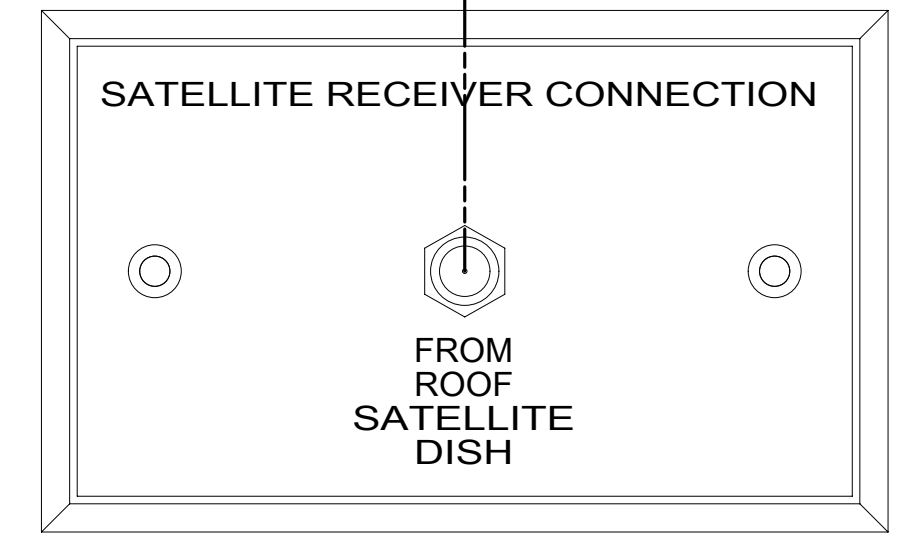
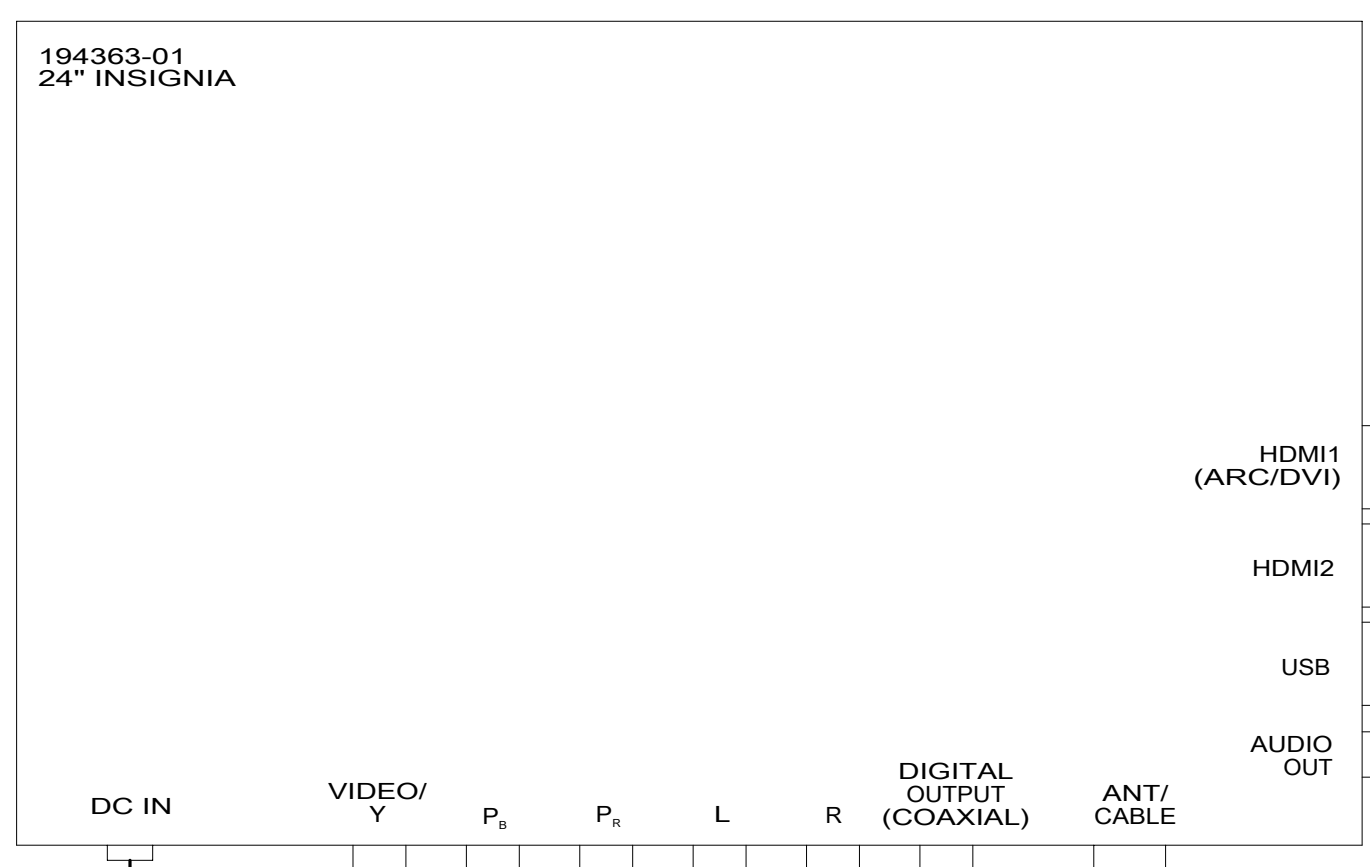
- 78K SATELLITE TV SYSTEM AUTO
- 265 CODES/STANDARDS-CSA/CMVSS
- 1B1 CODES/STANDARDS USA

|                            |                    |
|----------------------------|--------------------|
| 1B1                        | 265                |
| FIRST USED                 |                    |
| <b>15 H-SERIES</b>         |                    |
| DO NOT SCALE DRAWING       |                    |
| TITLE:                     |                    |
| <b>WIRING INSTL-TV/DVD</b> |                    |
| SHEET 7                    | PART NO 191391 REV |
| 1 23-Oct-2015              |                    |

8 7 6 5 4 3 2 1

\*191391\*





DETAIL HA

FOR ELECTRICAL TORQUE SPECIFICATIONS SEE DWG NO. 128783-01-000

FOR ELECTRICAL CALLOUTS SEE DWG NO. 121339-01-000

- 68X TV - BEDROOM
- 265 CODES/STANDARDS-CSA/CMVSS
- 1B1 CODES/STANDARDS USA

1B1 265 68X

FIRST USED

### 15 H-SERIES

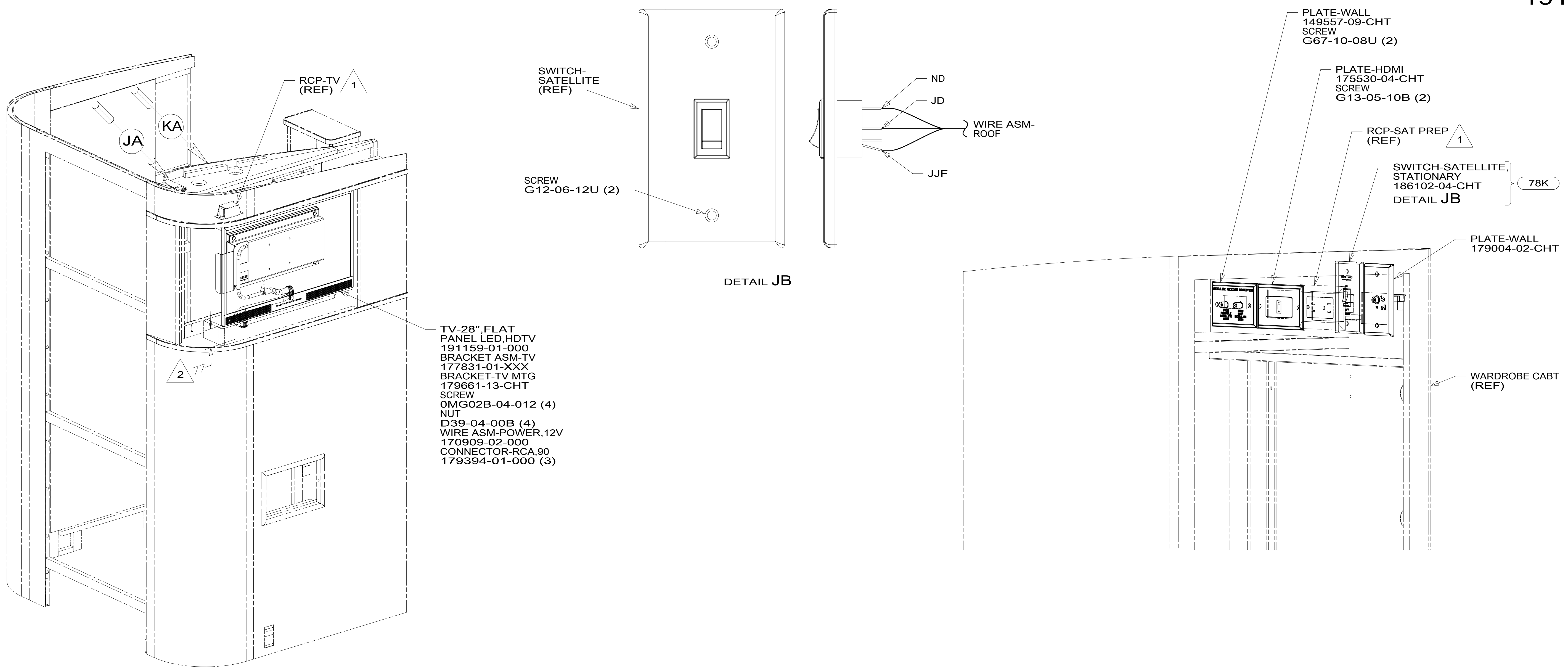
DO NOT SCALE DRAWING

TITLE: **WIRING INSTL-TV/DVD**

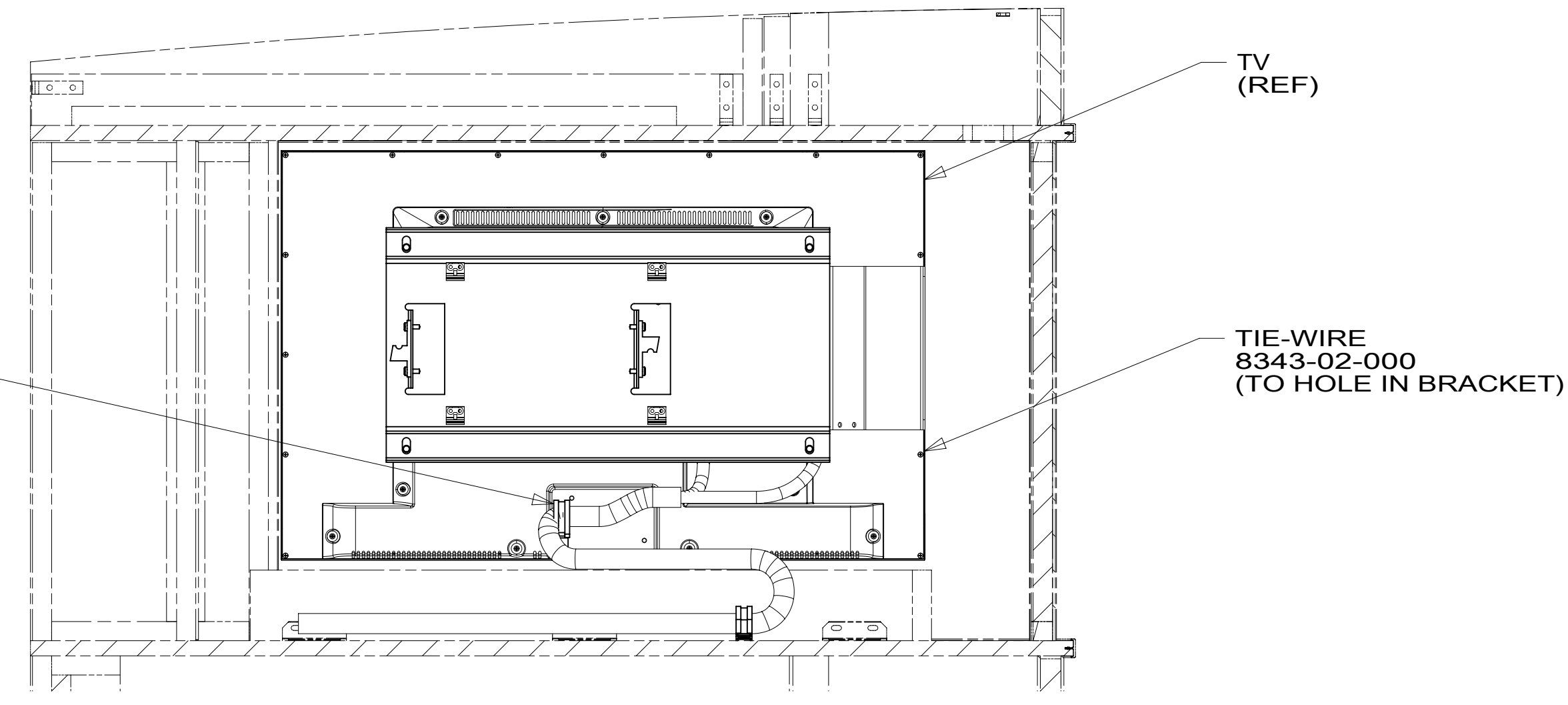
SHEET 8 PART NO. **191391** REV

1 23-Oct-2015

\*191391\*



- TV-28", FLAT PANEL LED, HDTV 191159-01-000
- BRACKET ASM-TV 177831-01-XXX
- BRACKET-TV MTG 179661-13-CHT
- SCREW OMG02B-04-012 (4)
- NUT D39-04-00B (4)
- WIRE ASM-POWER, 12V 170909-02-000
- CONNECTOR-RCA, 90 179394-01-000 (3)



VIEW JA

- 2 DIMENSION BETWEEN THE SHELF AND THE BOTTOM OF THE TV.
- 1 SEE WIRING INSTL-BODY, 110V FOR ADDITIONAL INFORMATION.

NOTES:

FOR ELECTRICAL TORQUE SPECIFICATIONS SEE DWG NO. 128783-01-000

FOR ELECTRICAL CALLOUTS SEE DWG NO. 121339-01-000

- 78K SATELLITE TV SYSTEM AUTO
- 68G TV-28" COLOR, STEREO W/REMOTE
- 265 CODES/STANDARDS-CSA/CMVSS
- 1B1 CODES/STANDARDS USA

1B1 265 68G

|                                   |                           |
|-----------------------------------|---------------------------|
| <b>FIRST USED</b>                 |                           |
| <b>15 H-SERIES</b>                |                           |
| <b>DO NOT SCALE DRAWING</b>       |                           |
| TITLE: <b>WIRING INSTL-TV/DVD</b> |                           |
| SHEET <b>9</b>                    | PART NO <b>191391</b> REV |

\*191391\*

8

7

6

5

4

3

2

1

D

D

C

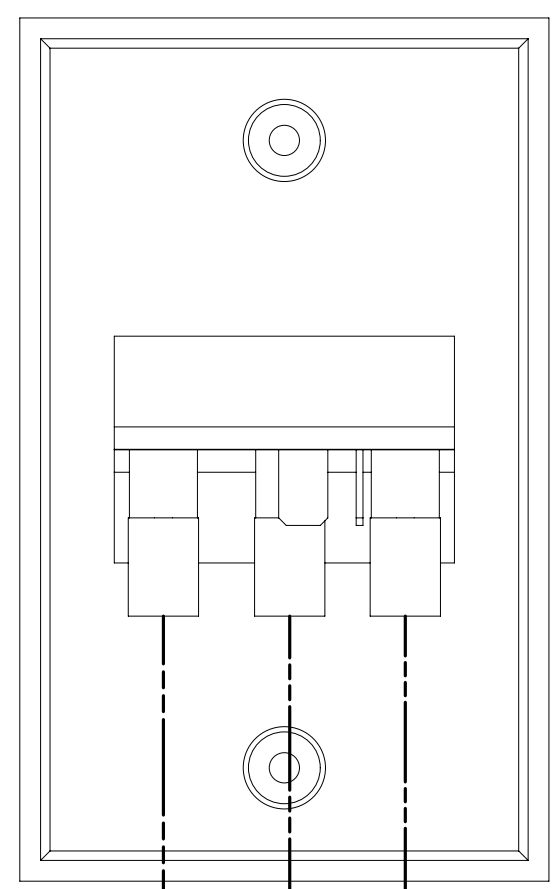
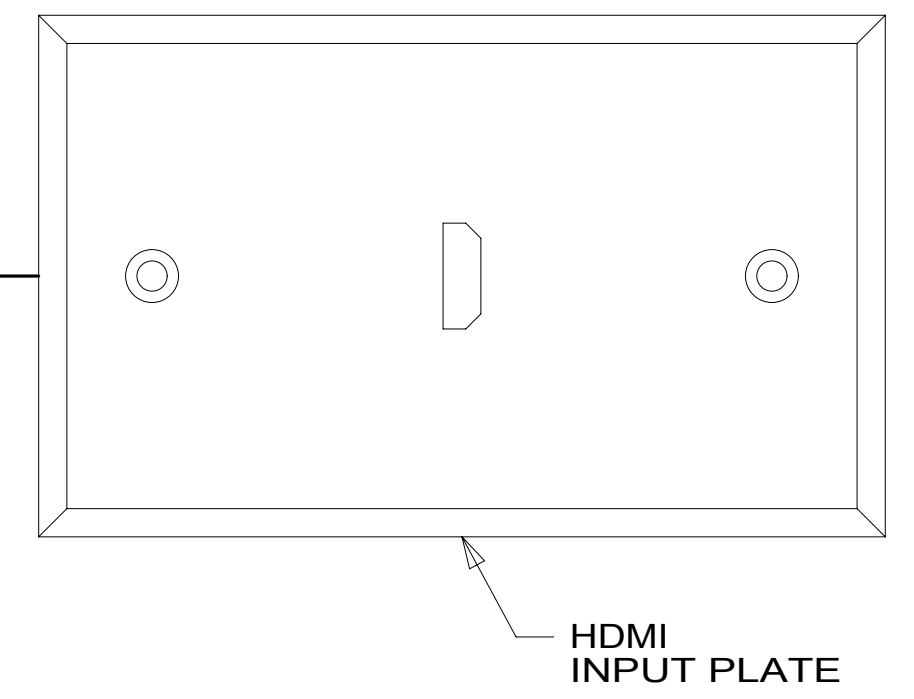
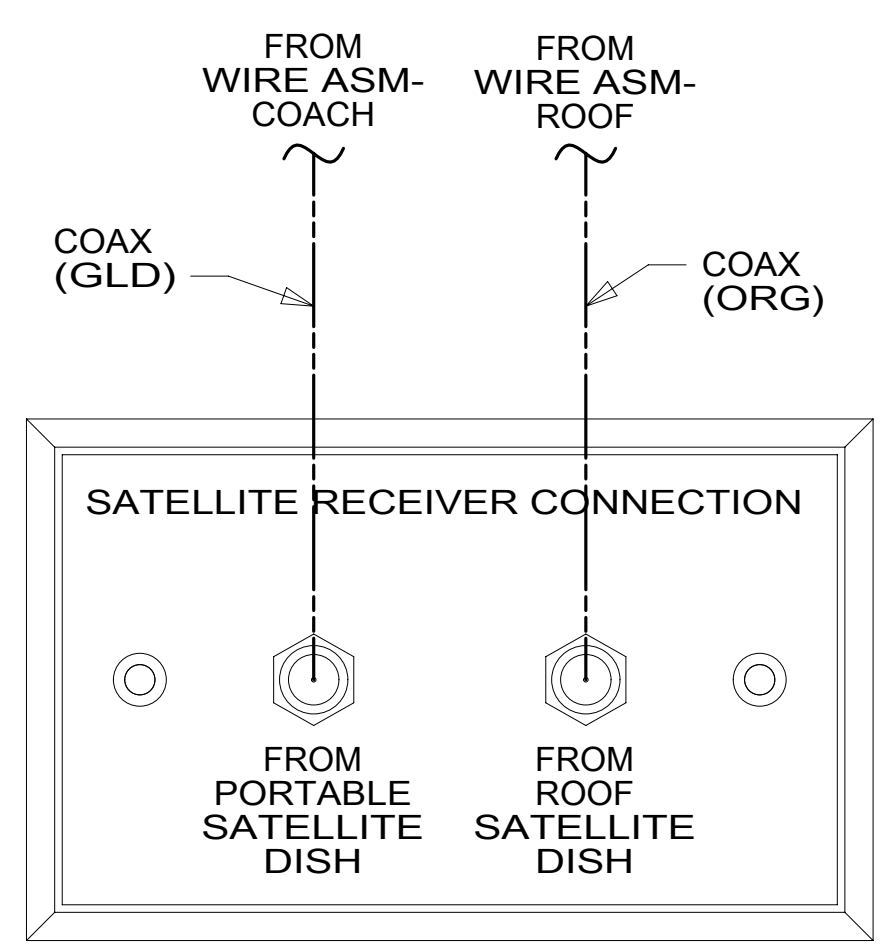
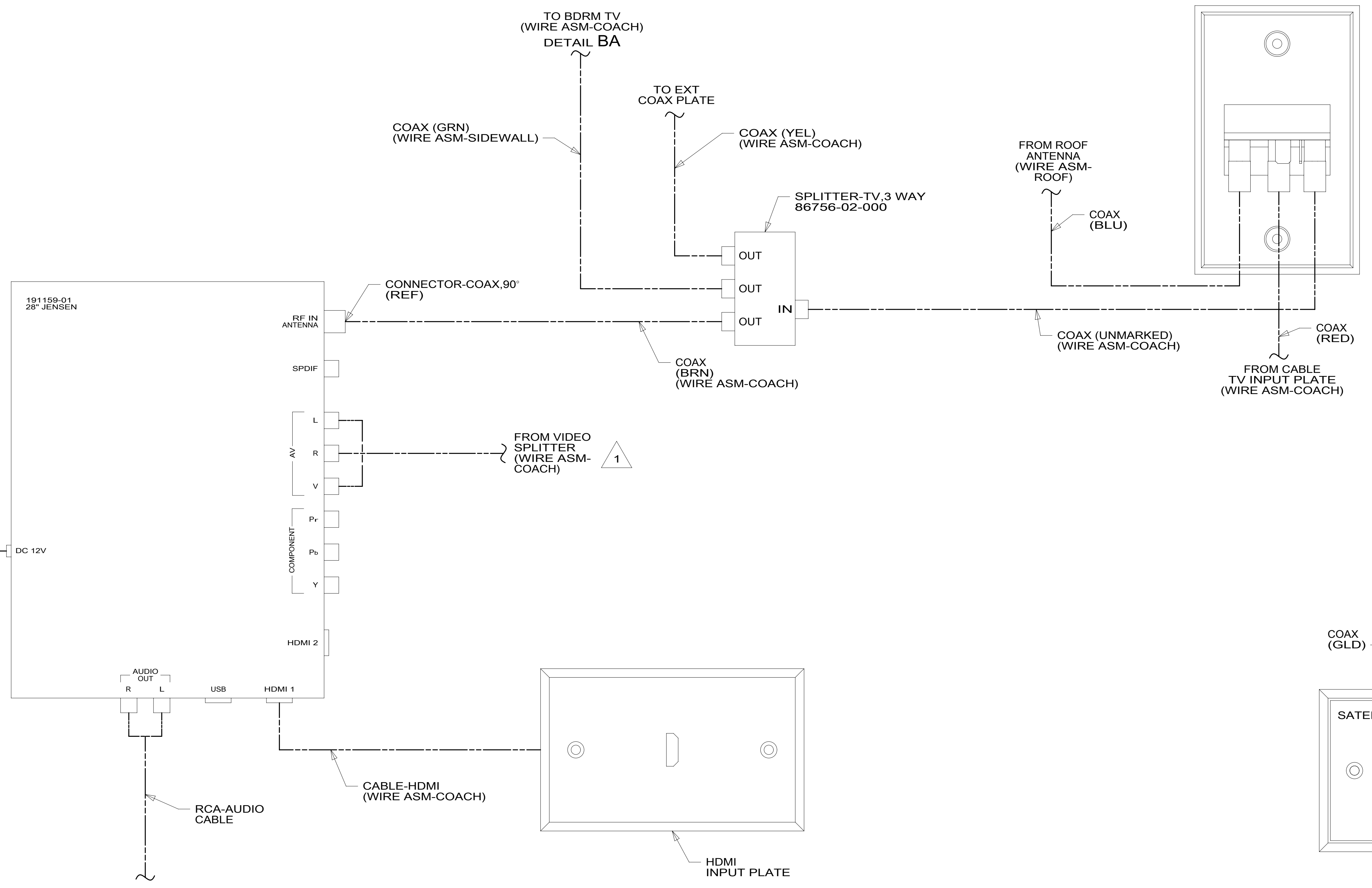
C

B

B

A

A



- 68G TV-28" COLOR, STEREO W/REMOTE
- 265 CODES/STANDARDS-CSA/CMVSS
- 1B1 CODES/STANDARDS USA

1B1 265 68G

**15 H-SERIES**

DO NOT SCALE DRAWING

TITLE: **WIRING INSTL-TV/DVD**

SHEET 10 PART NO **191391** REV

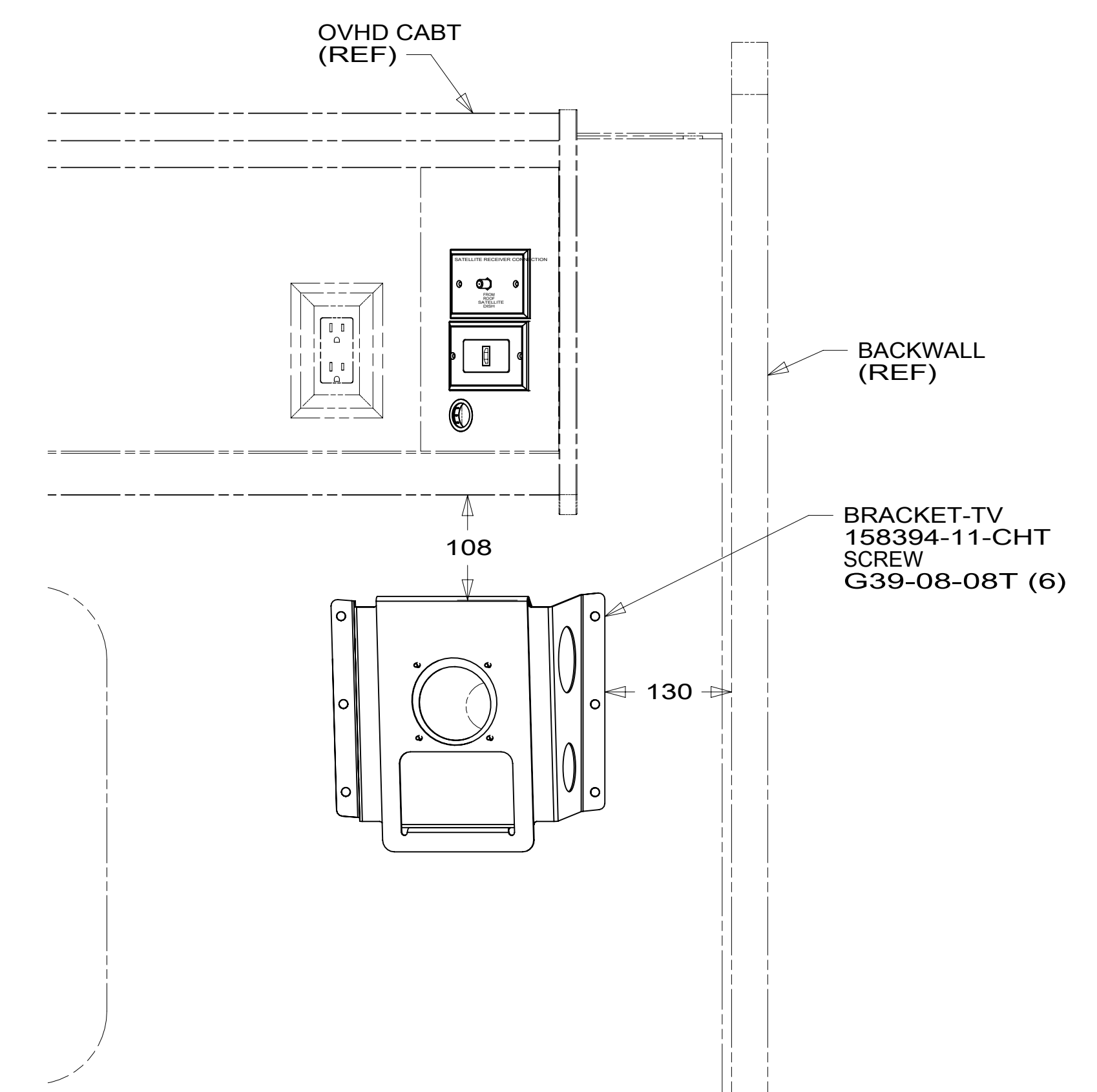
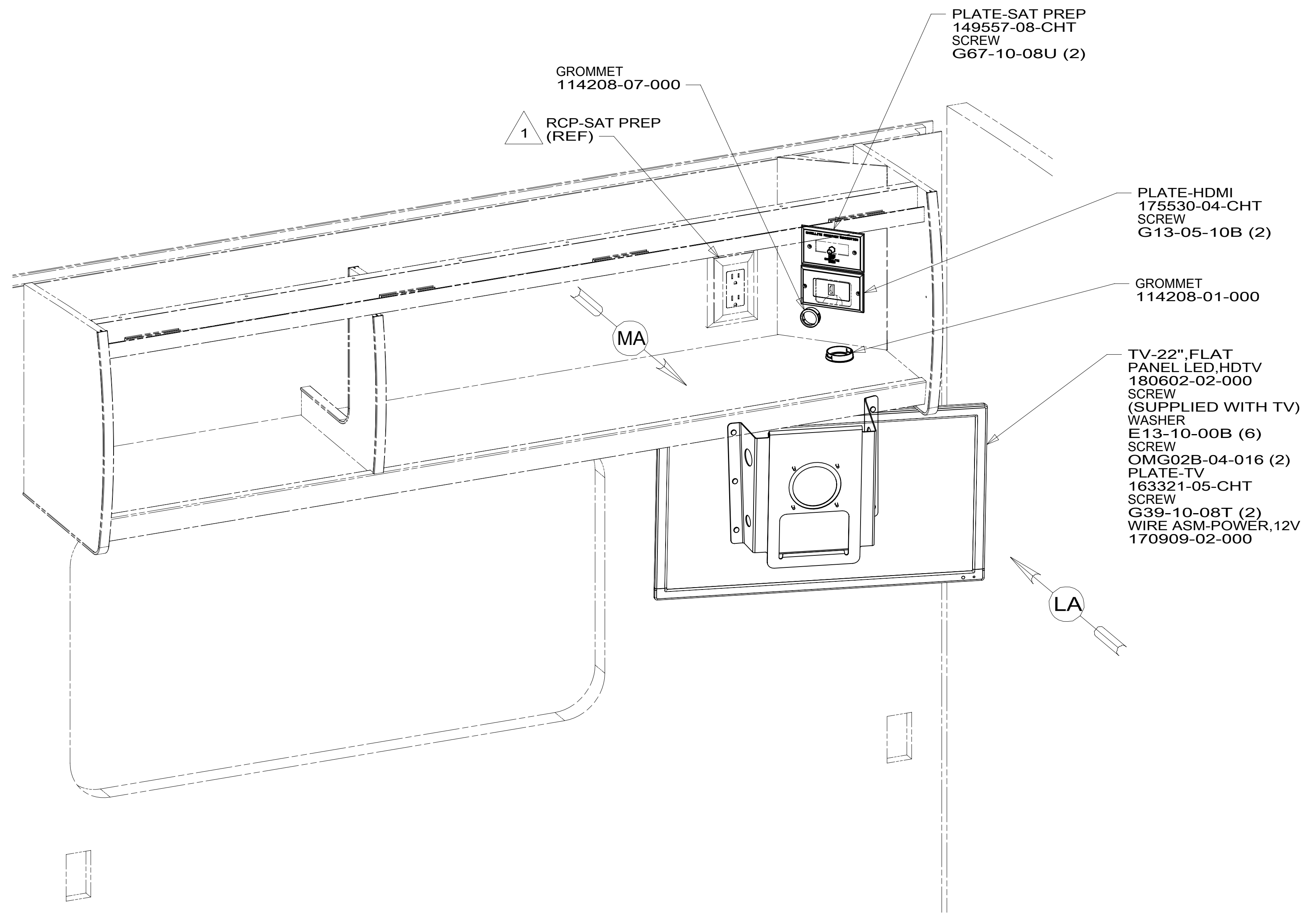
23-Oct-2015

FOR ELECTRICAL TORQUE SPECIFICATIONS SEE DWG NO. 128783-01-000

FOR ELECTRICAL CALLOUTS SEE DWG NO. 121339-01-000

NOTES:  
 1 SEE WIRING INSTL-BODY, 12V FOR ADDITIONAL INFORMATION.

\*191391\*



VIEW LA  
(TV NOT SHOWN)

1 SEE WIRING INSTL-BODY, 110V FOR ADDITIONAL INFORMATION.

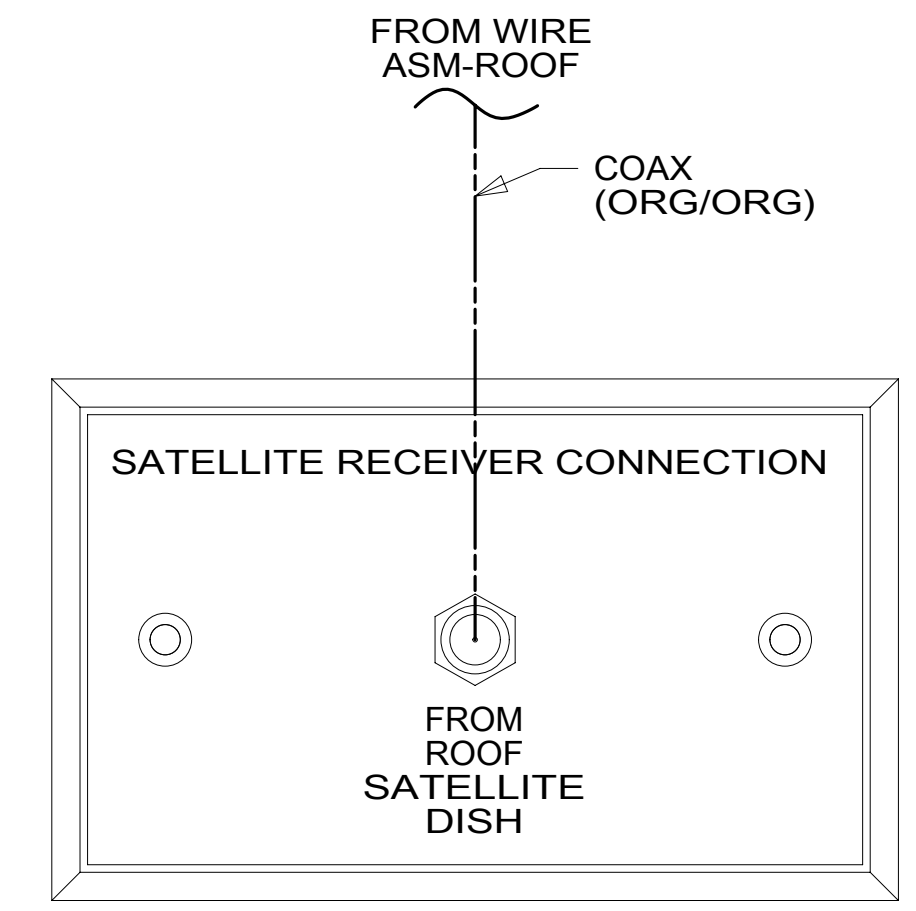
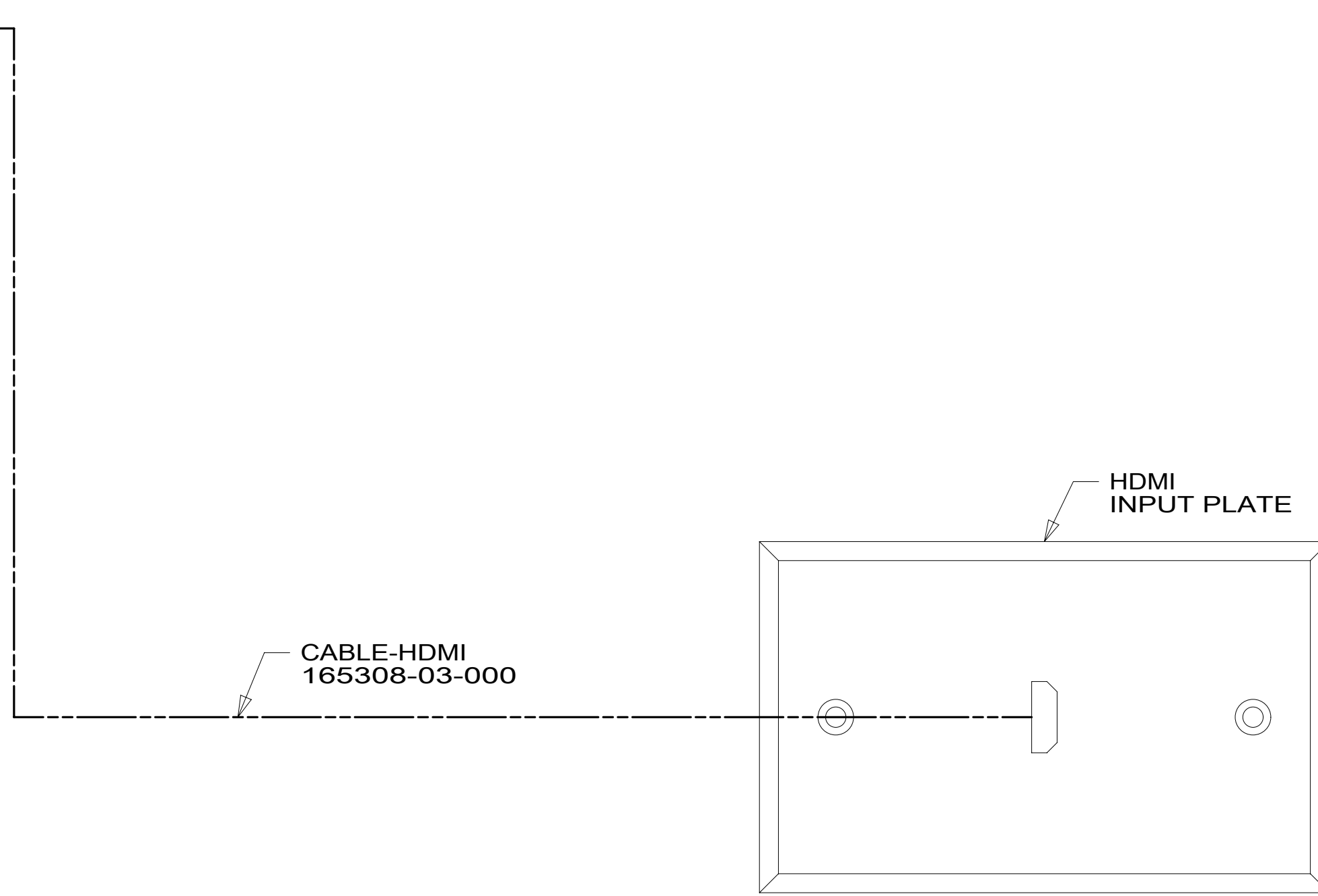
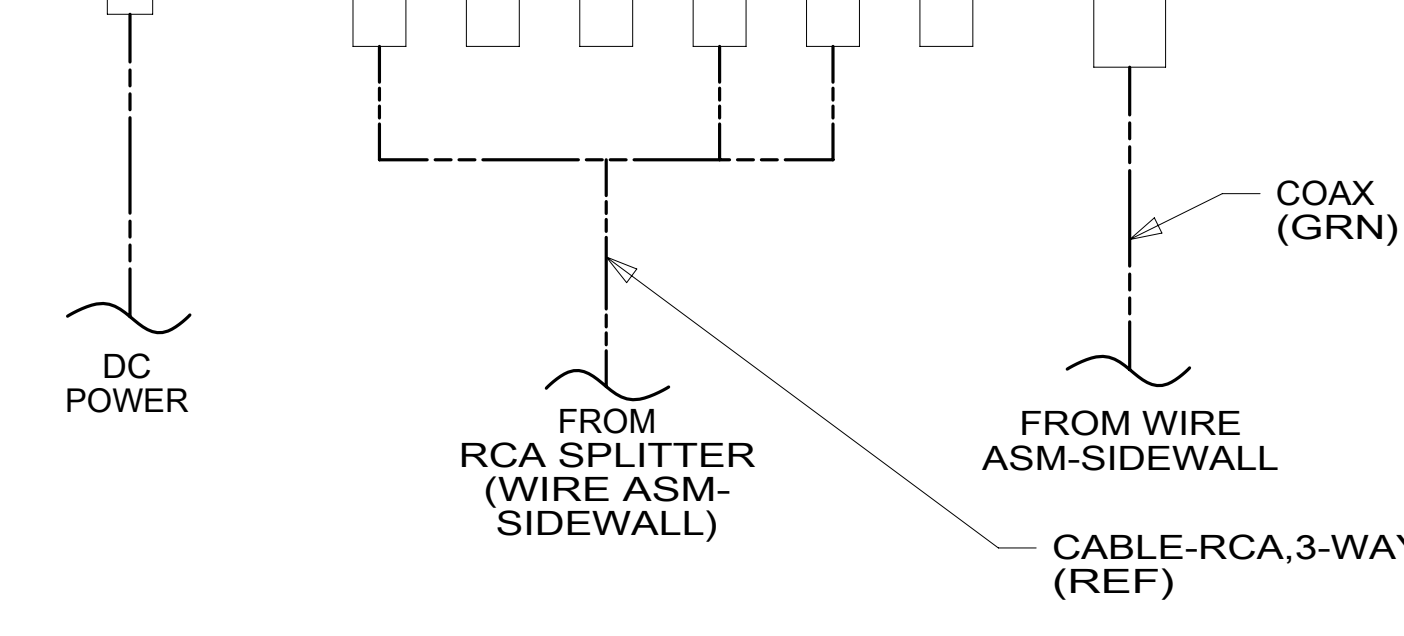
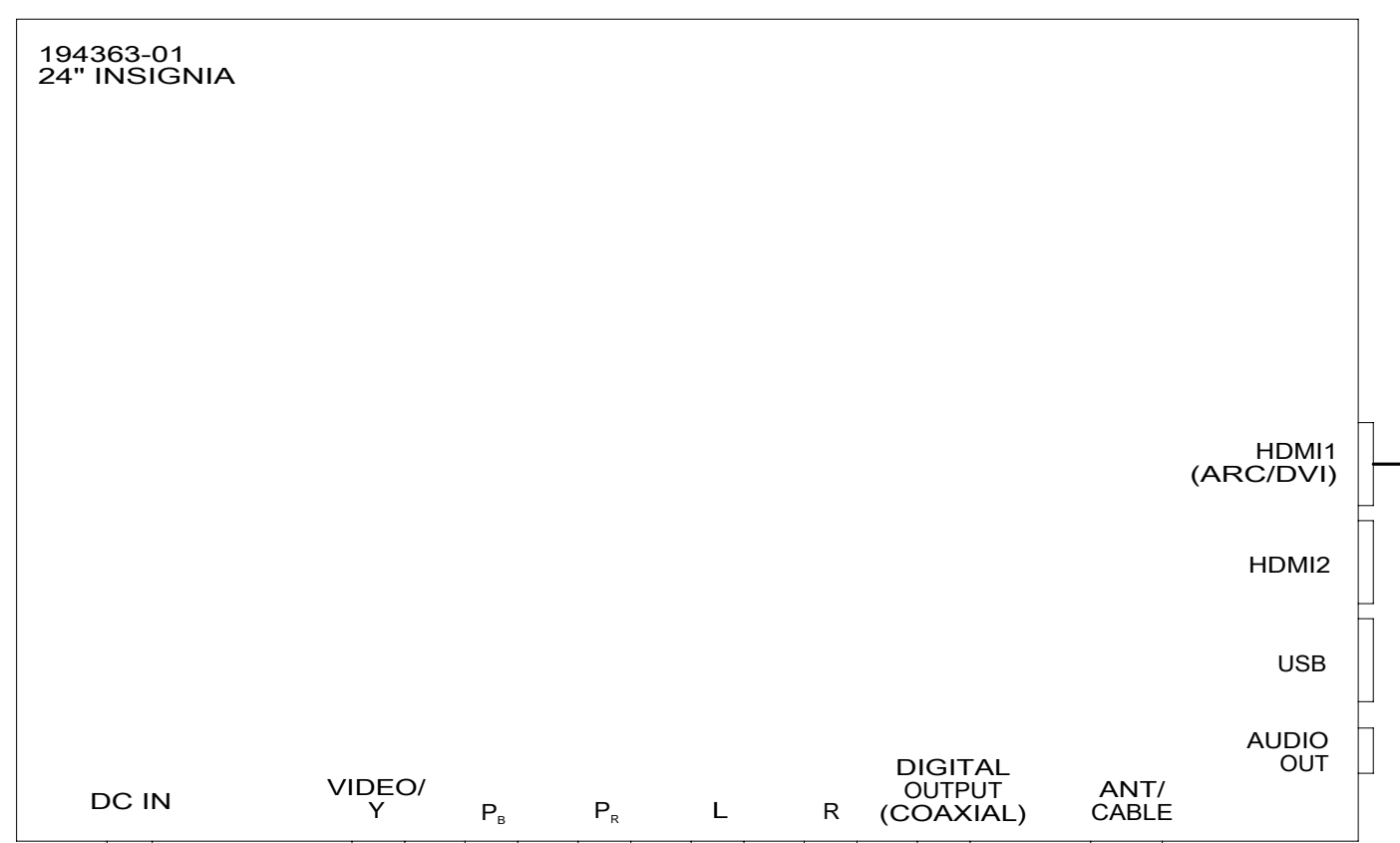
FOR ELECTRICAL TORQUE SPECIFICATIONS SEE DWG NO. 128783-01-000

X-X FOR ELECTRICAL CALLOUTS SEE DWG NO. 121339-01-000

- 68X TV - BEDROOM
- 265 CODES/STANDARDS-CSA/CMVSS
- 1B1 CODES/STANDARDS USA

|                                   |                       |     |
|-----------------------------------|-----------------------|-----|
| 1B1                               | 265                   | 68X |
| FIRST USED                        |                       |     |
| <b>15 H-SERIES</b>                |                       |     |
| DO NOT SCALE DRAWING              |                       |     |
| TITLE: <b>WIRING INSTL-TV/DVD</b> |                       |     |
| SHEET 11                          | PART NO <b>191391</b> | REV |
| 1 23-Oct-2015                     |                       |     |

\*191391\*



DETAIL MA

FOR ELECTRICAL TORQUE SPECIFICATIONS SEE DWG NO. 128783-01-000

FOR ELECTRICAL CALLOUTS SEE DWG NO. 121339-01-000

- 68X TV - BEDROOM
- 265 CODES/STANDARDS-CSA/CMVSS
- 1B1 CODES/STANDARDS USA

1B1 265 68X

|                                   |                           |
|-----------------------------------|---------------------------|
| FIRST USED                        |                           |
| <b>15 H-SERIES</b>                |                           |
| DO NOT SCALE DRAWING              |                           |
| TITLE: <b>WIRING INSTL-TV/DVD</b> |                           |
| SHEET 12                          | PART NO <b>191391</b> REV |
| 1 23-Oct-2015                     |                           |

\*191391\*