



**DANGER**

**Danger of electrical shock, burns or death.** Always remove all power sources before attempting any repair, service or diagnostic work. Power can be present from shore power, generator, inverter or battery. All power sources must be disabled and secured before performing any service.

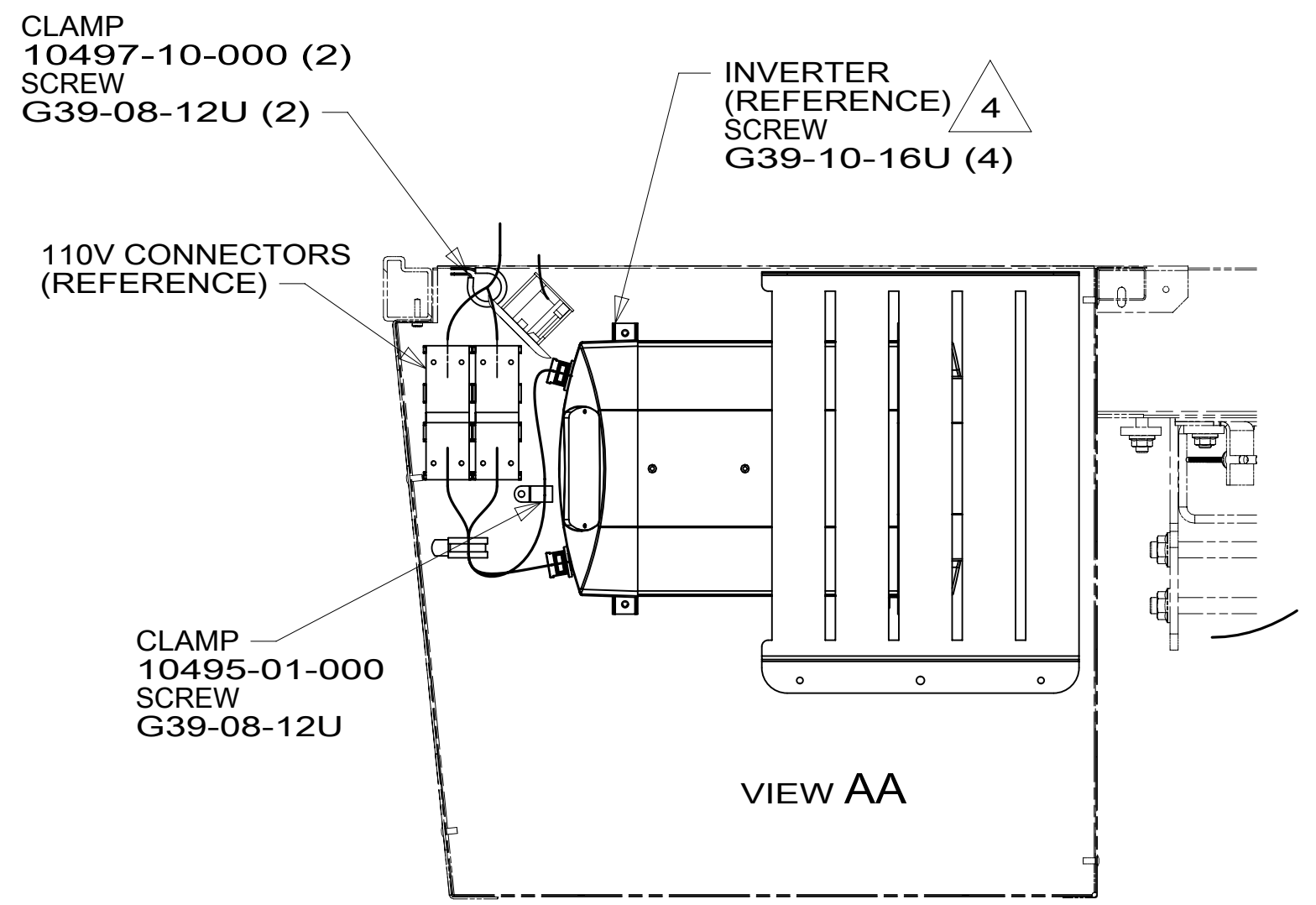
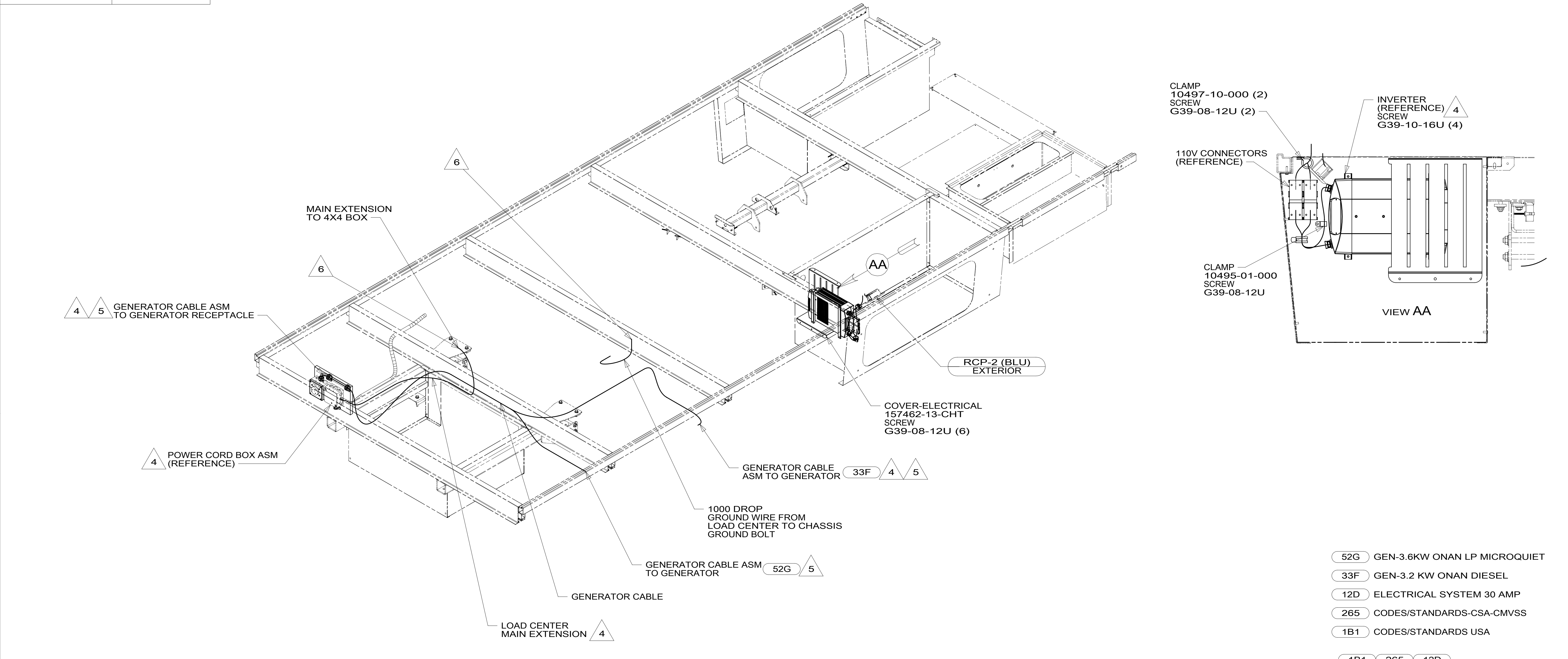


**CAUTION**

If you lack the skills, tools or equipment to perform diagnostic or repair work leave such work to an authorized Winnebago Industries dealer or other qualified shop.

DRAWING NO.	FEATURE
191383-01	-----
191383-11	1B1 12D
191383-15	265 12D

RELEASE	REV/DATE	DWG NO	191383
REV ZONE	REVISION RECORD	DATE	DTR-ORIG



- NOTES:
- 6 WIRES ROUTED THROUGH FLOOR IN THIS AREA.
  - 5 SEE GENERATOR INSTL FOR ADDITIONAL INFORMATION.
  - 4 SEE LOAD CENTER/ATS ASM FOR ADDITIONAL INFORMATION.
  - 3. ALL GROUND WIRES TO BE COVERED WITH TUBING 8041-02-000.
  - 2. ALL 110V WIRE ARE TO BE CLAMPED WITH CLAMP 10497-05-000 WITHIN 200MM OF OUTLET BOXES, USE SCREW G67-10-12U.
  - 1. AT MINIMUM ALL WIRES TO BE SUPPORTED AND SECURED PER CODE REQUIREMENTS. USE CLAMP 10495 OR 10497 OR WIRE TIE 8343 OR 108046 AND SCREW G67-XX-XXX OR G56-XX-XXX AS APPROPRIATE FOR INSTALLATION.

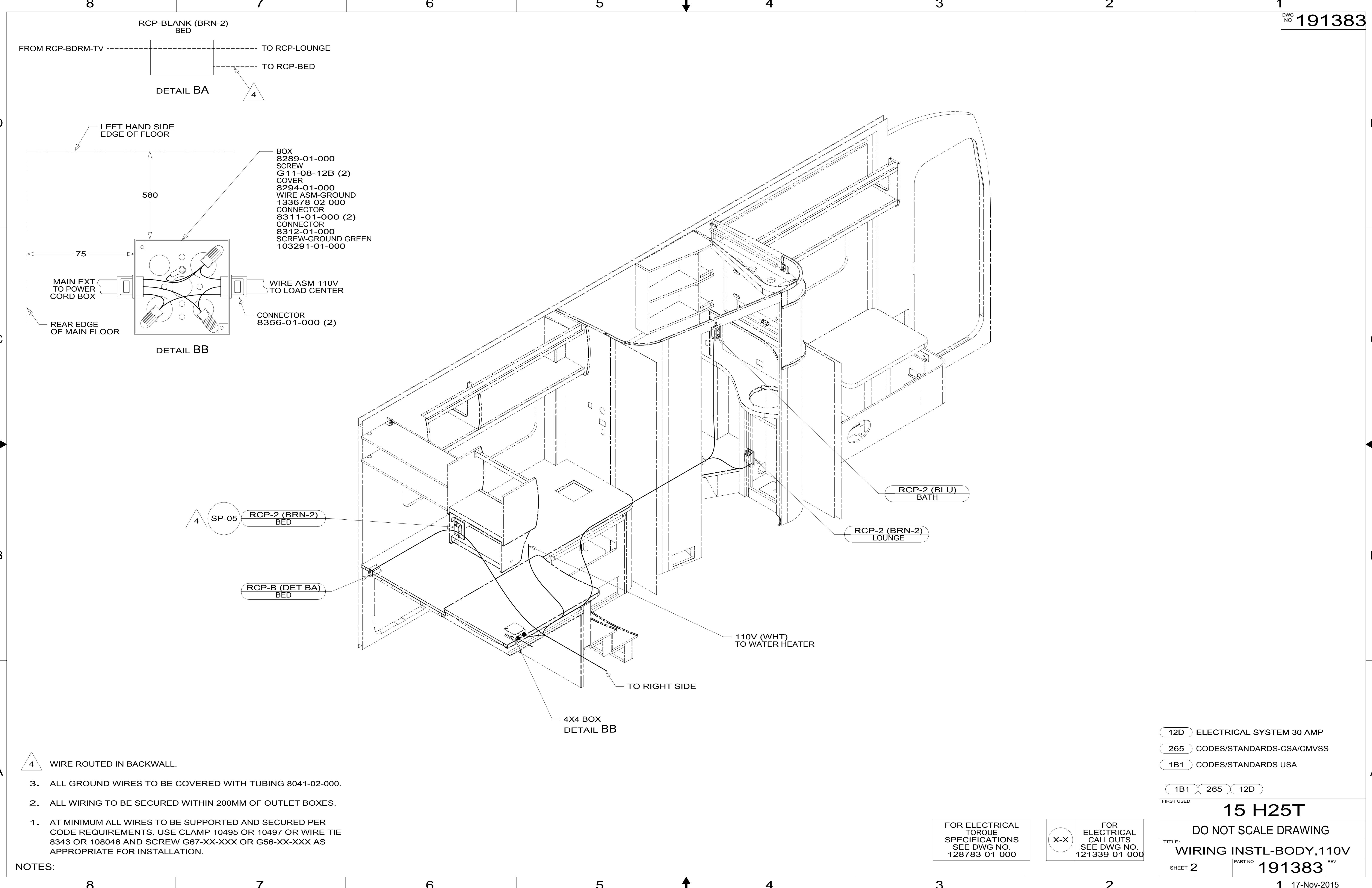
- 52G GEN-3.6KW ONAN LP MICROQUIET
- 33F GEN-3.2 KW ONAN DIESEL
- 12D ELECTRICAL SYSTEM 30 AMP
- 265 CODES/STANDARDS-CSA-CMVSS
- 1B1 CODES/STANDARDS USA

		COPYRIGHT 2014 WINNEBAGO INDUSTRIES, INC.
DTR	ORIG. DATE	
CHKR	ALL DIMENSIONS ARE IN MILLIMETERS	
P.E.	FIRST USED	
M.E.	15 H25T	
DSNR	MATERIAL:	
UNSPECIFIED TOLERANCES ARE:		
WHOLE DIM (X)	:	3
ONE-PLACE (X.X)	:	1.5
TWO-PLACE (X.XX)	:	0.50
ANGLE	:	1°
THIRD ANGLE PROJECTION		
DO NOT SCALE DRAWING	REFER TO ES0018 FOR FASTENER TIGHTENING GUIDELINES	
TITLE: WIRING INSTL-BODY, 110V		
SHEET 1 OF 4	PART NO	191383
REF:	1 17-Nov-2015	

FOR ELECTRICAL TORQUE SPECIFICATIONS SEE DWG NO. 128783-01-000

FOR ELECTRICAL CALLOUTS SEE DWG NO. 121339-01-000

\*191383\*



8 7 6 5 4 3 2 1

D

C

B

A

- 4 WIRE ROUTED IN BACKWALL.
3. ALL GROUND WIRES TO BE COVERED WITH TUBING 8041-02-000.
2. ALL WIRING TO BE SECURED WITHIN 200MM OF OUTLET BOXES.
1. AT MINIMUM ALL WIRES TO BE SUPPORTED AND SECURED PER CODE REQUIREMENTS. USE CLAMP 10495 OR 10497 OR WIRE TIE 8343 OR 108046 AND SCREW G67-XX-XXX OR G56-XX-XXX AS APPROPRIATE FOR INSTALLATION.

NOTES:

8 7 6 5 4 3 2 1

- BOX  
8289-01-000  
SCREW  
G11-08-12B (2)  
COVER  
8294-01-000  
WIRE ASM-GROUND  
133678-02-000  
CONNECTOR  
8311-01-000 (2)  
CONNECTOR  
8312-01-000  
SCREW-GROUND GREEN  
103291-01-000

FOR ELECTRICAL TORQUE SPECIFICATIONS SEE DWG NO. 128783-01-000

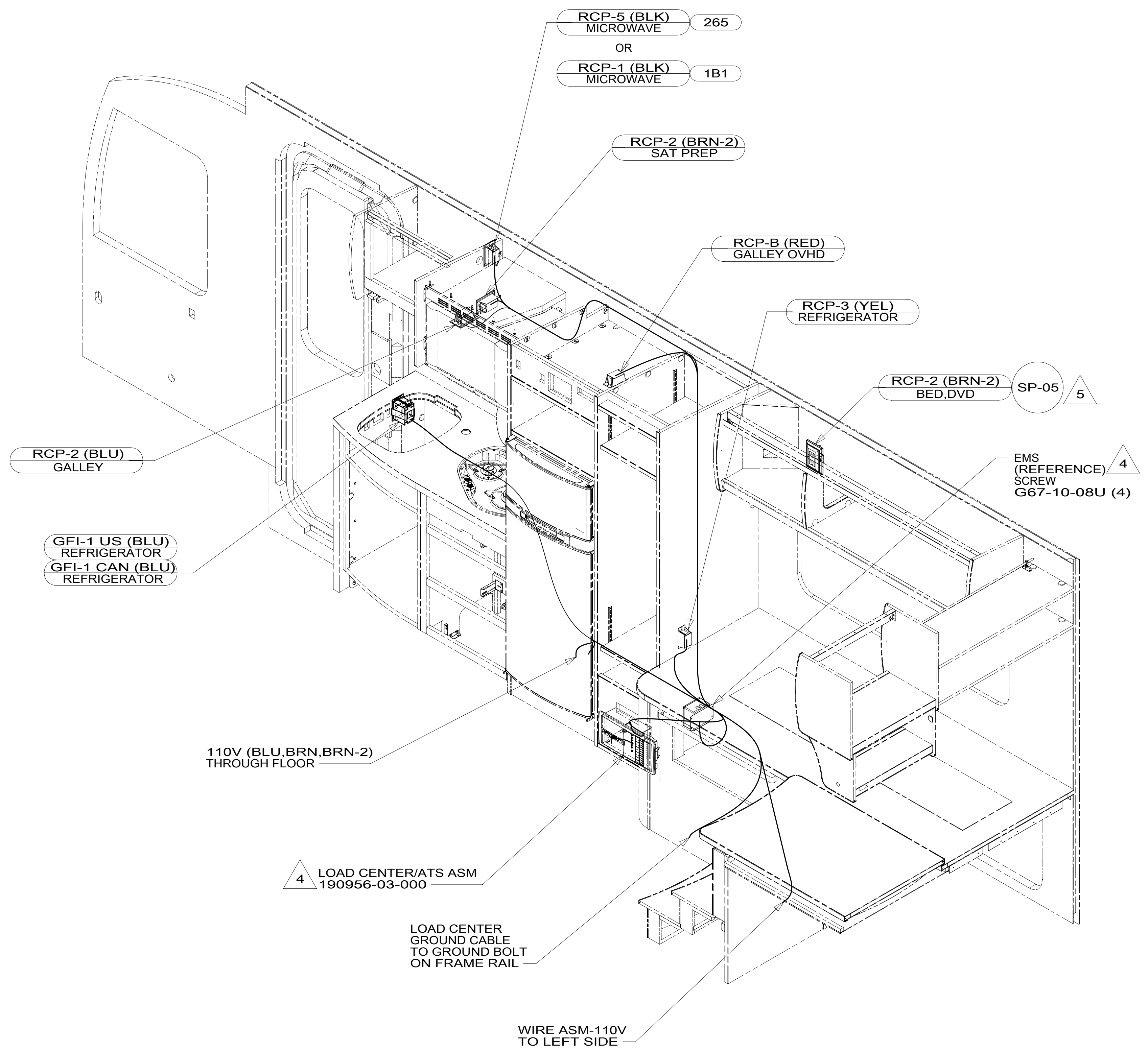
FOR ELECTRICAL CALLOUTS SEE DWG NO. 121339-01-000

- 12D ELECTRICAL SYSTEM 30 AMP
- 265 CODES/STANDARDS-CSA/CMVSS
- 1B1 CODES/STANDARDS USA

1B1 265 12D

FIRST USED	
<b>15 H25T</b>	
DO NOT SCALE DRAWING	
TITLE: <b>WIRING INSTL-BODY, 110V</b>	
SHEET 2	PART NO <b>191383</b> REV

\*191383\*



- 5 SEE WIRING INSTL-TV/DVD FOR ADDITIONAL INFORMATION.
- 4 SEE LOAD CENTER/ATS ASM FOR MORE INFORMATION.
3. ALL GROUND WIRES TO BE COVERED WITH TUBING 8041-02-000.
  2. ALL WIRING TO BE SECURED WITHIN 200MM OF OUTLET BOXES.
  1. AT MINIMUM ALL WIRES TO BE SUPPORTED AND SECURED PER CODE REQUIREMENTS. USE CLAMP 10495 OR 10497 OR WIRE TIE 8343 OR 108046 AND SCREW G67-XX-XXX OR G56-XX-XXX AS APPROPRIATE FOR INSTALLATION.

NOTES:

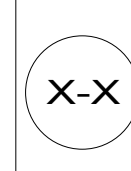
- 12D ELECTRICAL SYSTEM 30 AMP
- 265 CODES/STANDARDS-CSA/CMVSS
- 1B1 CODES/STANDARDS USA

1B1 265 12D

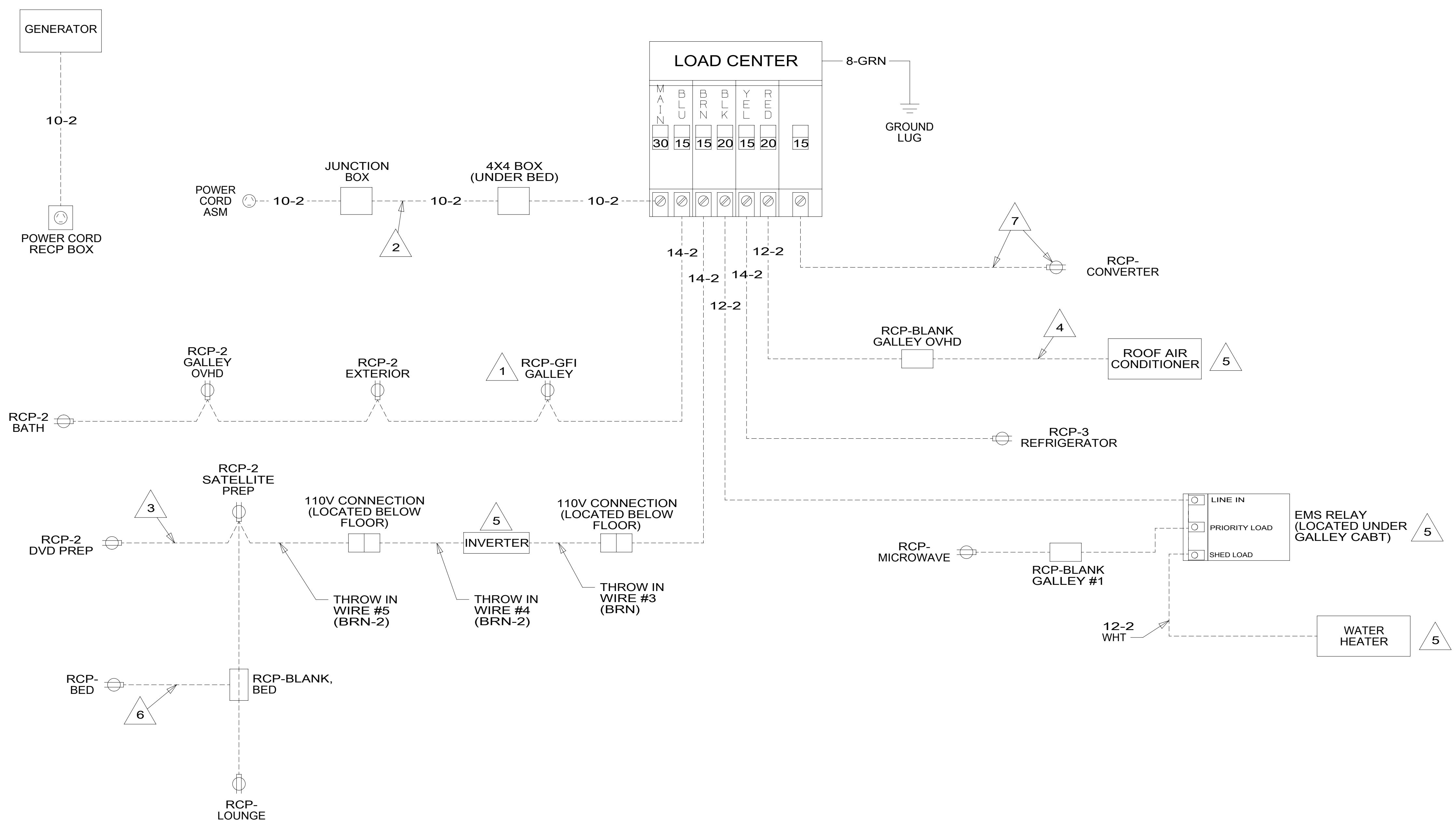
FIRST USED	
<b>15 H25T</b>	
DO NOT SCALE DRAWING	
TITLE: <b>WIRING INSTL-BODY, 110V</b>	
SHEET 3	PART NO <b>191383</b> REV

FOR ELECTRICAL TORQUE SPECIFICATIONS SEE DWG NO. 128783-01-000

FOR ELECTRICAL CALLOUTS SEE DWG NO. 121339-01-000



\*191383\*A



- NOTES:**
- 7 WIRE AND RECEPTACLE SUPPLIED INTEGRATED INTO LOAD CENTER DISTRIBUTION PANEL.
  - 6 WIRE ROUTED IN BACKWALL.
  - 5 SEE MANUFACTURERS DIAGRAM.
  - 4 WIRE ROUTED IN ROOF.
  - 3 WIRE ROUTED IN SIDEWALL.
  - 2 WIRE ROUTED THRU FLOOR.
  - 1 ALL WIRES DOWN STREAM AND INCLUDING THIS OUTLET ARE GROUND FAULT CIRCUIT INTERRUPT PROTECTED.

- 12D ELECTRICAL SYSTEM 30 AMP
- 265 CODES/STANDARDS-CSA/CMVSS
- 1B1 CODES/STANDARDS USA

1B1 265 12D

FOR ELECTRICAL TORQUE SPECIFICATIONS SEE DWG NO. 128783-01-000

FOR ELECTRICAL CALLOUTS SEE DWG NO. 121339-01-000

FIRST USED	
<b>15 H25T</b>	
<b>DO NOT SCALE DRAWING</b>	
<b>TITLE: WIRING INSTL-BODY, 110V</b>	
SHEET 4	PART NO <b>191383</b> REV
1 17-Nov-2015	

\*191383\*