



DANGER

Danger of electrical shock, burns or death. Always remove all power sources before attempting any repair, service or diagnostic work. Power can be present from shore power, generator, inverter or battery. All power sources must be disabled and secured before performing any service.

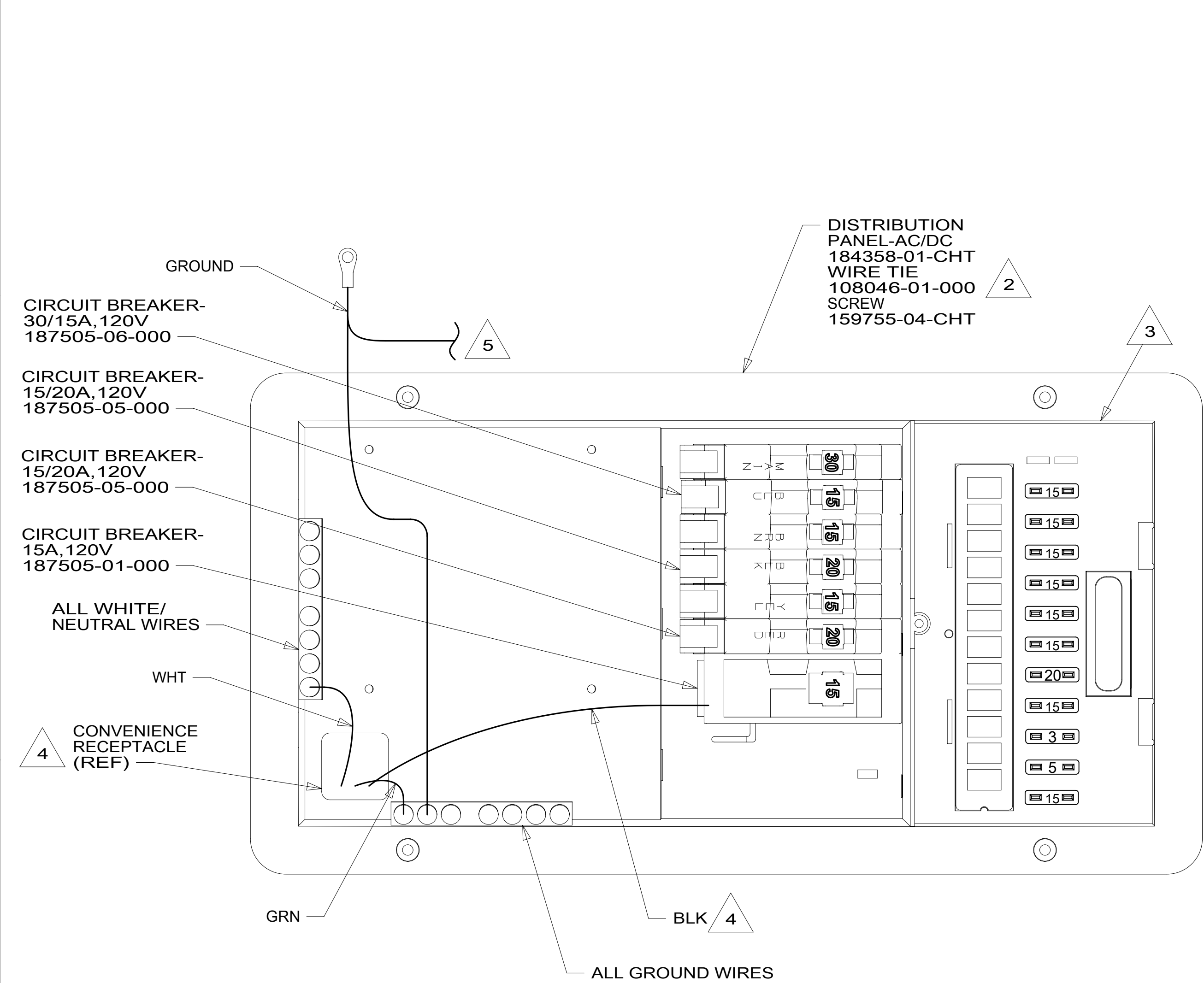


CAUTION

If you lack the skills, tools or equipment to perform diagnostic or repair work leave such work to an authorized Winnebago Industries dealer or other qualified shop.

DRAWING NO.	MODEL	SHEET
190956-01	H25Q	1,2,3
190956-02	H25P	1,2,4
190956-03	H25T	1,2,5

RELEASE	REV/DATE	DWG NO	190956
REV ZONE	REVISION RECORD	DATE	DFT-ORIG



		H25Q	H25P	H25T	
GROUND	6-G	136145-02-030	136145-02-020	136145-02-030	
GENERATOR CABLE ASM	1B1	164957-01-050	164957-01-050	164957-01-050	33F
	265	164957-03-050	164957-03-050	164957-03-050	33F
THROW IN WIRE #1	1B1	136131-19-006	136131-19-036	-----	6
	265	136134-19-006	136134-19-036	-----	6
THROW IN WIRE #2	1B1	136131-19-003	-----	-----	6
	265	136134-19-003	-----	-----	6
THROW IN WIRE #3	1B1	136131-03-003	136131-03-003	136131-03-003	6 7
	265	136134-03-003	136134-03-003	136134-03-003	6 7
THROW IN WIRE #4	1B1	136131-19-005	136131-19-005	136131-19-005	6 7
	265	136134-19-005	136134-19-005	136134-19-005	6 7
MAIN CABLE ASM	1B1	-----	-----	164957-05-022	
	265	-----	-----	164957-06-022	
THROW IN WIRE #5	1B1	136131-19-057 6	136131-19-070 8	136131-19-182 6	
	265	136134-19-057 6	136134-19-070 8	136134-19-182 6	
RED	1B1	136135-07-047	136135-07-040	136135-07-044	
	265	136136-07-047	136136-07-040	136136-07-044	
YEL	1B1	136131-05-047	136131-05-018	136131-05-016	
	265	136134-05-047	136134-05-018	136134-05-016	
BLK	1B1	136135-06-010	136135-06-038	136135-06-012	
	265	136136-06-010	136136-06-038	136136-06-012	
BLU	1B1	136131-02-191	136131-02-135	136131-02-215	
	265	136134-02-191	136134-02-135	136134-02-215	
BLK-2	1B1	136135-22-070	-----	136135-22-052	
	265	136136-22-070	-----	136136-22-052	
WHT	1B1	136135-09-045	-----	136135-09-040	
	265	136136-09-045	-----	136136-09-040	
MAIN	1B1	136137-01-031	136137-01-040	136137-01-036	
	265	136138-01-031	136138-01-040	136138-01-036	
BRN	1B1	136131-03-053	136131-03-030	136131-03-027	6
	265	136134-03-053	136134-03-030	136134-03-027	6

- 8 FOR CONNECTOR INSTALLATION SEE DETAIL BA.
- 7 FOR ADDITIONAL INFORMATION SEE DETAIL BC.
- 6 FOR CONNECTOR INSTALLATION SEE DETAIL BB.
- 5 CONNECT ONE GROUND WIRE TO GROUND BAR INSIDE DISTRIBUTION PANEL, CONNECT ONE GROUND WIRE TO DC GROUND BAR ON BACK SIDE OF DISTRIBUTION PANEL.
- 4 CONNECT BLACK WIRE FROM CONVENIENCE RECEPTACLE TO DEDICATED CIRCUIT BREAKER.
- 3 SEE WIRING INSTL-BODY, 12V FOR ADDITIONAL INFORMATION.
- 2 ATTACH TO UNUSED SCREW HOLE ON BACK SIDE OF PANEL TO SECURE WIRES.

NOTES:
1. ALL GROUND WIRES TO BE COVERED WITH TUBING 8041-02-000.

FOR ELECTRICAL TORQUE SPECIFICATIONS SEE DWG NO. 128783-01-000

FOR ELECTRICAL CALLOUTS SEE DWG NO. 121339-01-000

- 33F GEN-3.5 KW ONAN DIESEL
- 265 CODES/STANDARDS-CSA/CMVSS
- 1B1 CODES/STANDARDS USA

WINNEBAGO COPYRIGHT 2014 WINNEBAGO INDUSTRIES, INC.

UNSPECIFIED TOLERANCES ARE:
 WHOLE DIM (X) : 3
 ONE-PLACE (X.X) : 1.5
 TWO-PLACE (X.XX) : 0.50
 ANGLE : 1°

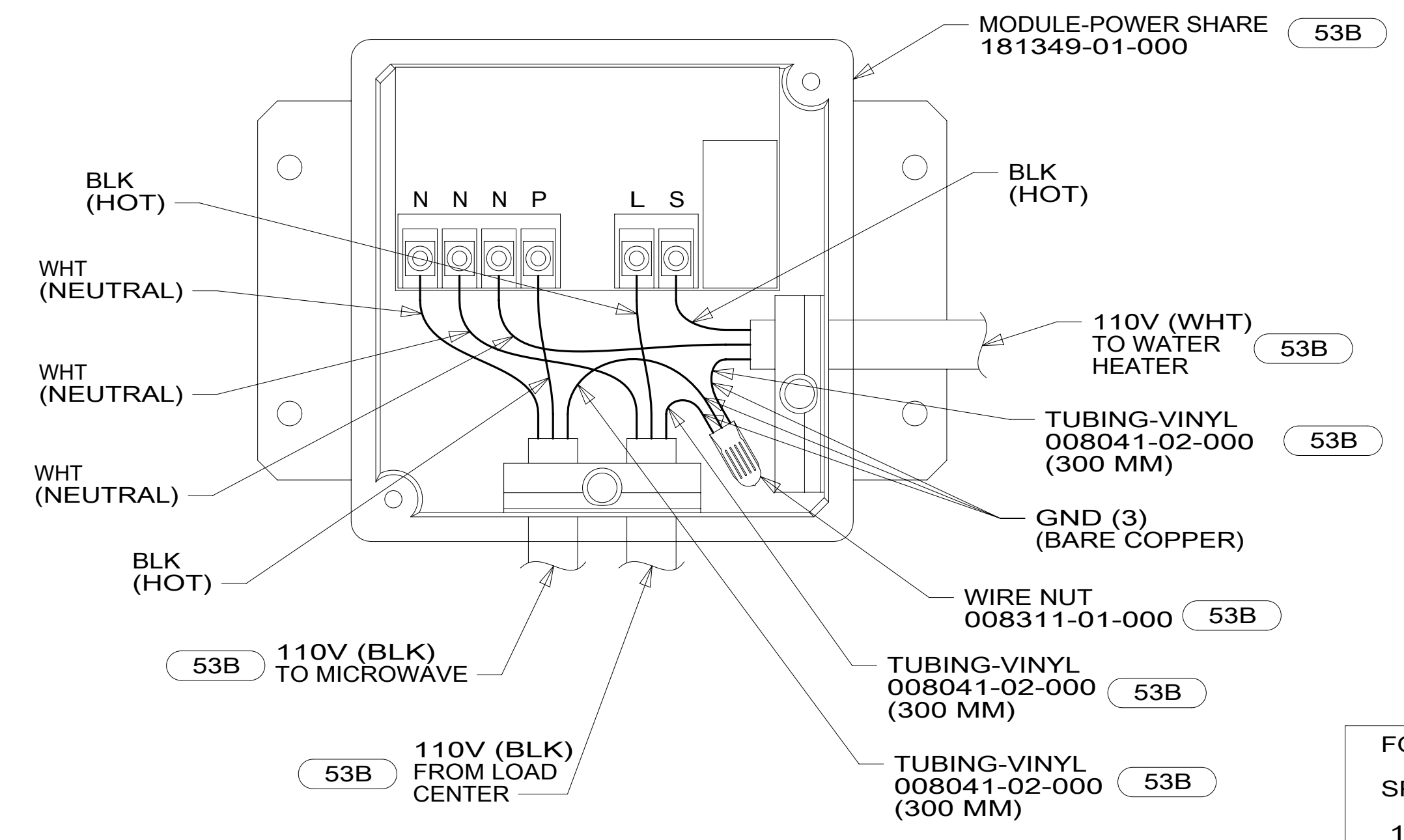
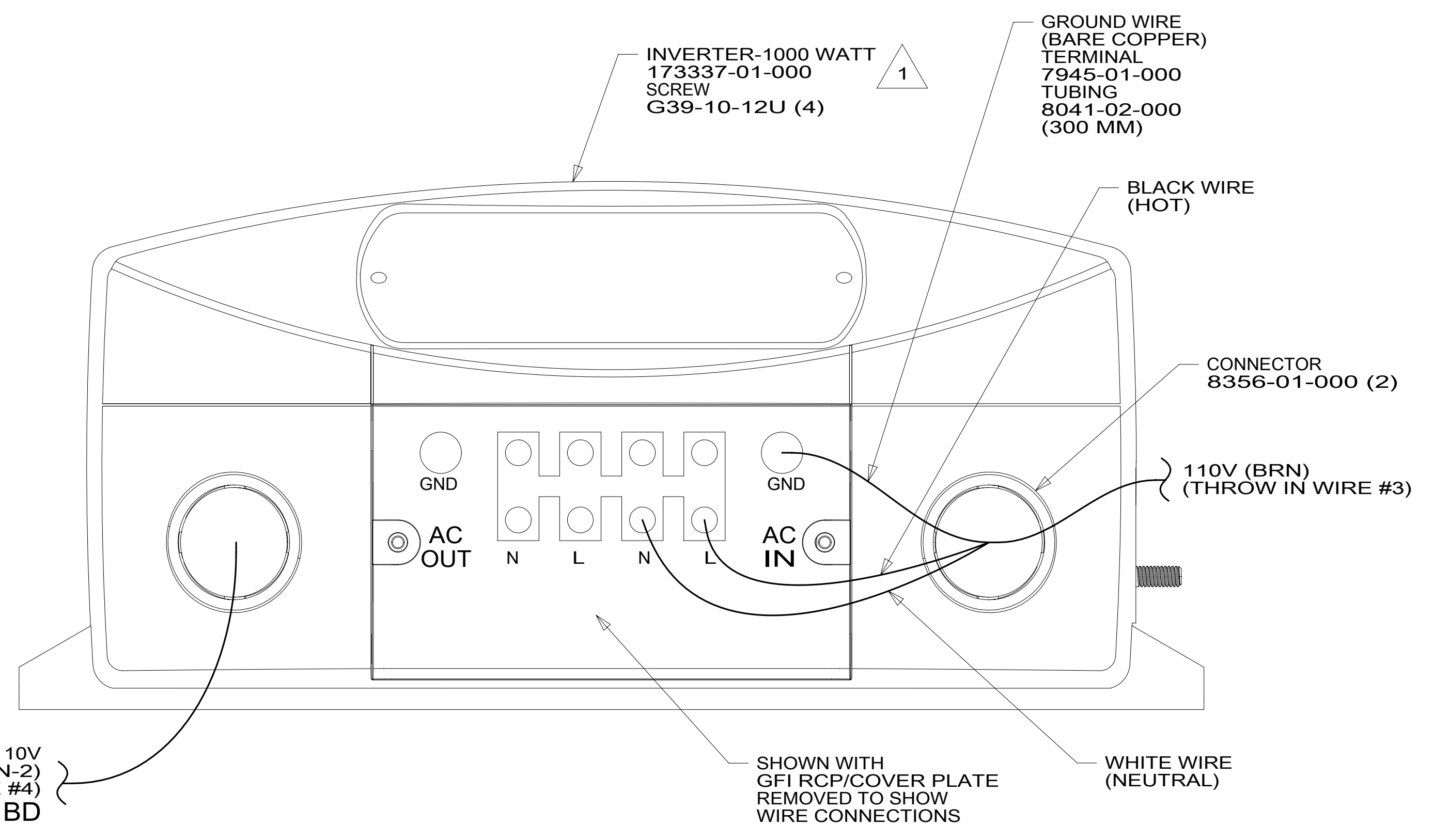
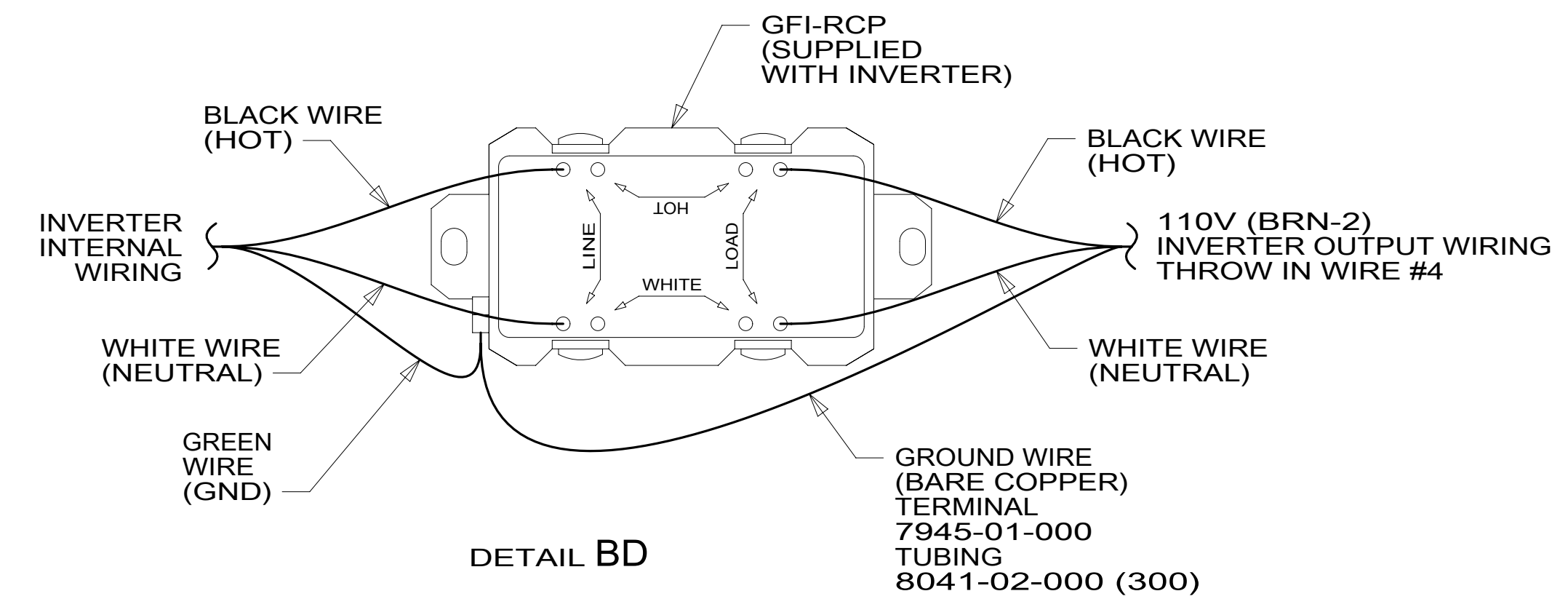
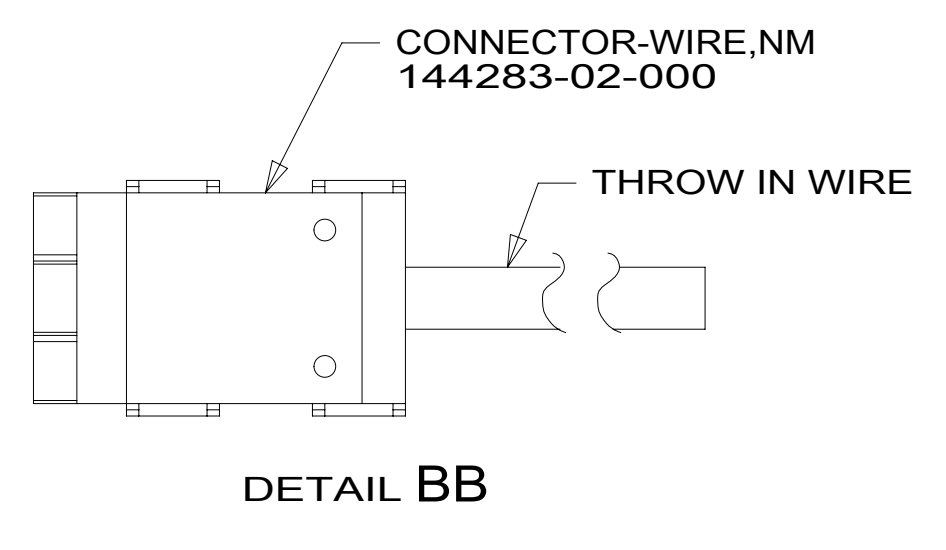
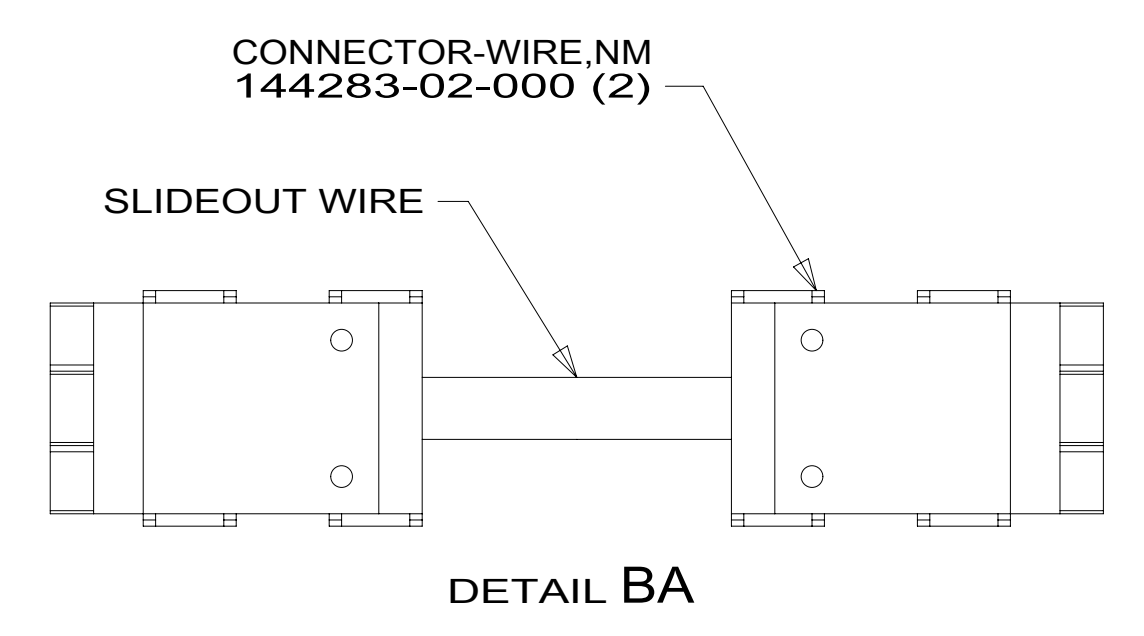
THIRD ANGLE PROJECTION

DO NOT SCALE DRAWING REFER TO ES0018 FOR FASTENER TIGHTENING GUIDELINES

TITLE: **LOAD CENTER/ATS ASM**

SHEET 1 OF 5 PART NO. 190956 REV

190956



- (53B) WTR HTR-6GAL ELECTRIC/LP GAS
- (265) CODES/STANDARDS-CSA/CMVSS
- (1B1) CODES/STANDARDS USA

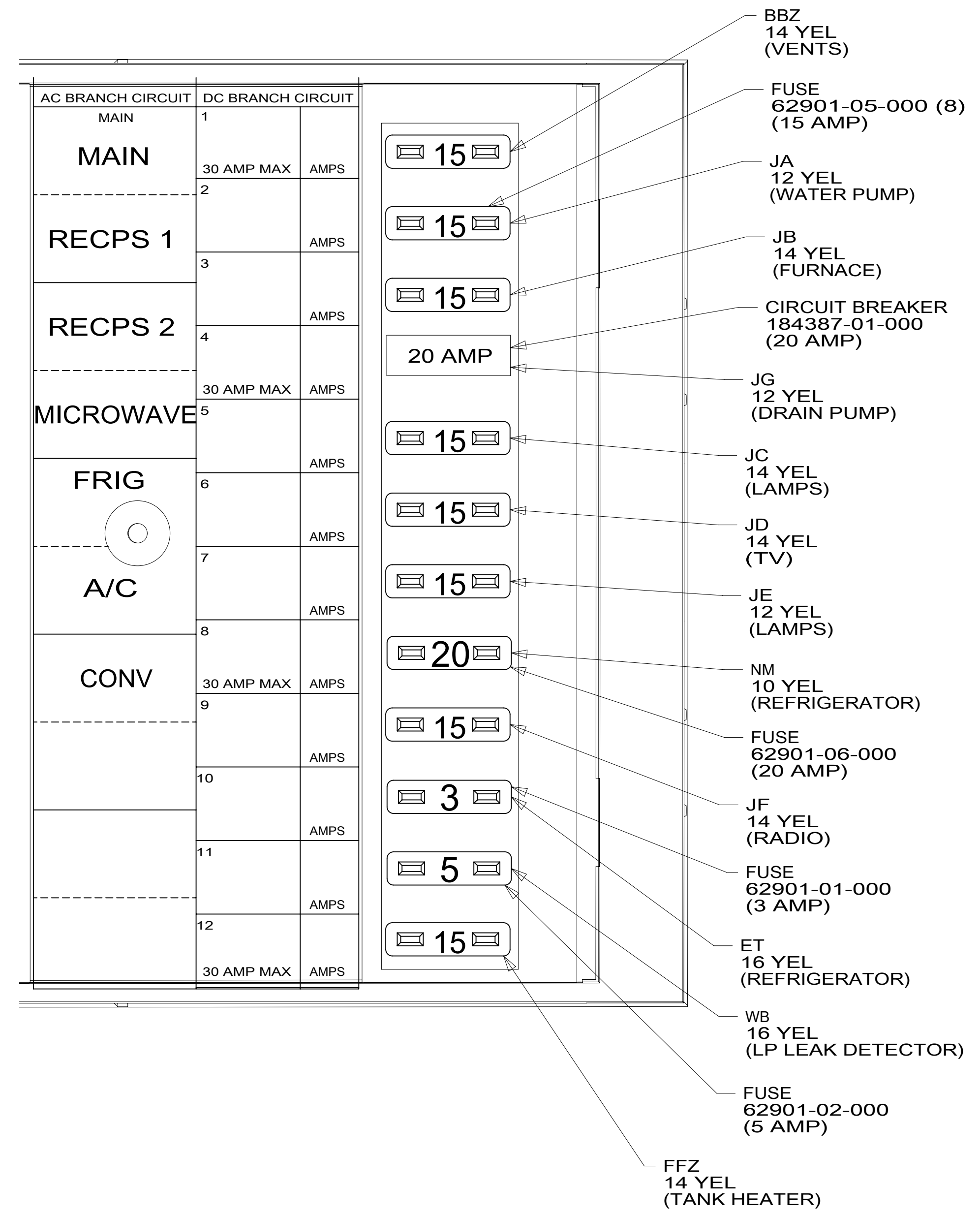
FIRST USED	
15 H-SERIES	
DO NOT SCALE DRAWING	
TITLE: LOAD CENTER/ATS ASM	
SHEET 2	PART NO 190956 REV

FOR ELECTRICAL
TORQUE
SPECIFICATIONS
SEE DWG NO.
128783-01-000

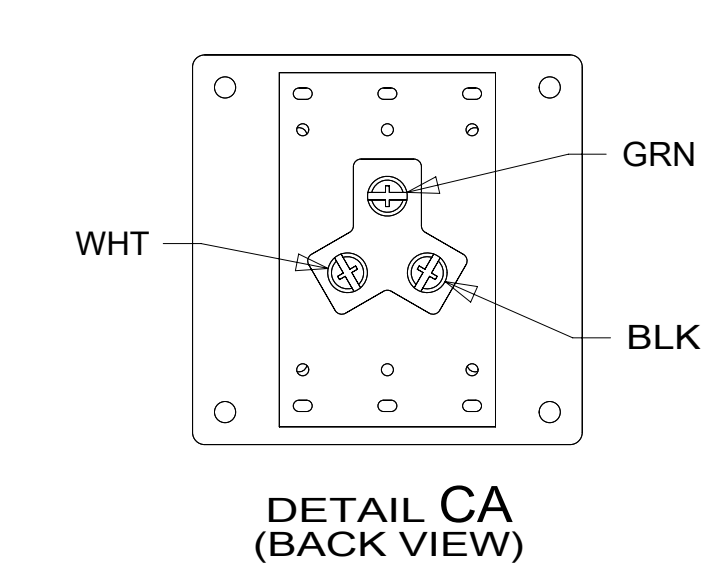
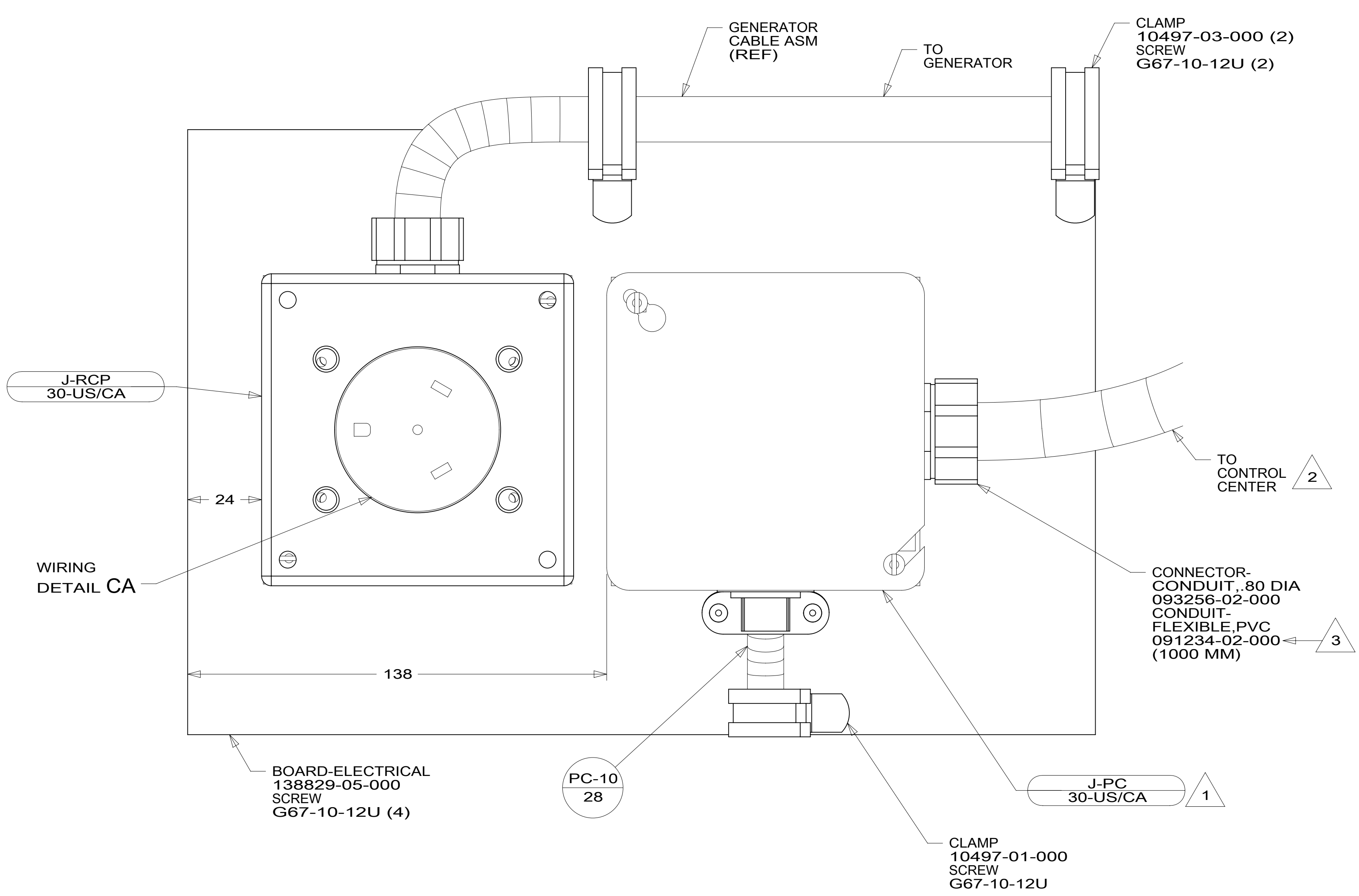
FOR
ELECTRICAL
CALLOUTS
SEE DWG NO.
121339-01-000

NOTES:
1 INVERTER SUPPLIED WITH REMOTE PANEL.
SEND PANEL TO MANUFACTURING LINE.

190956 A



- BBZ 14 YEL (VENTS)
- FUSE 62901-05-000 (8) (15 AMP)
- JA 12 YEL (WATER PUMP)
- JB 14 YEL (FURNACE)
- CIRCUIT BREAKER 184387-01-000 (20 AMP)
- JG 12 YEL (DRAIN PUMP)
- JC 14 YEL (LAMPS)
- JD 14 YEL (TV)
- JE 12 YEL (LAMPS)
- NM 10 YEL (REFRIGERATOR)
- FUSE 62901-06-000 (20 AMP)
- JF 14 YEL (RADIO)
- FUSE 62901-01-000 (3 AMP)
- ET 16 YEL (REFRIGERATOR)
- WB 16 YEL (LP LEAK DETECTOR)
- FUSE 62901-02-000 (5 AMP)
- FFZ 14 YEL (TANK HEATER)



- NOTES:
- 3 SECURE CONDUIT TO POWER CORD WITH TAPE 8363-01-000 FOR TRANSPORTATION PURPOSES.
 - 2 WIRES CONNECTED TO 4X4 BOX ON ASSEMBLY LINE ONCE PARTS ARE INSTALLED.
 - 1 CONNECT BLK TO BLK, WHT TO WHT, AND GRNDS TO GRNDS.

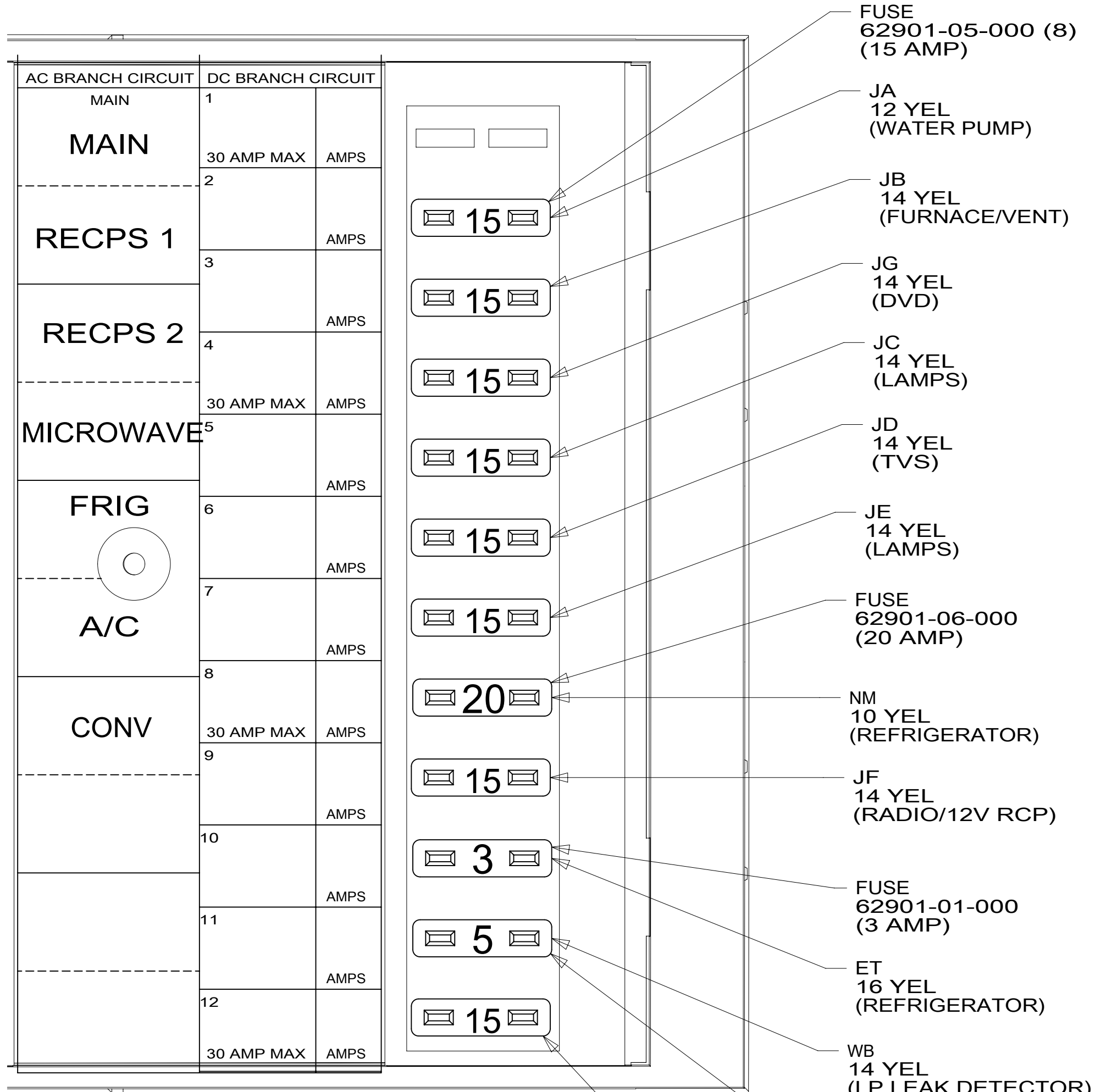
FOR ELECTRICAL TORQUE SPECIFICATIONS SEE DWG NO. 128783-01-000

FOR ELECTRICAL CALLOUTS SEE DWG NO. 121339-01-000

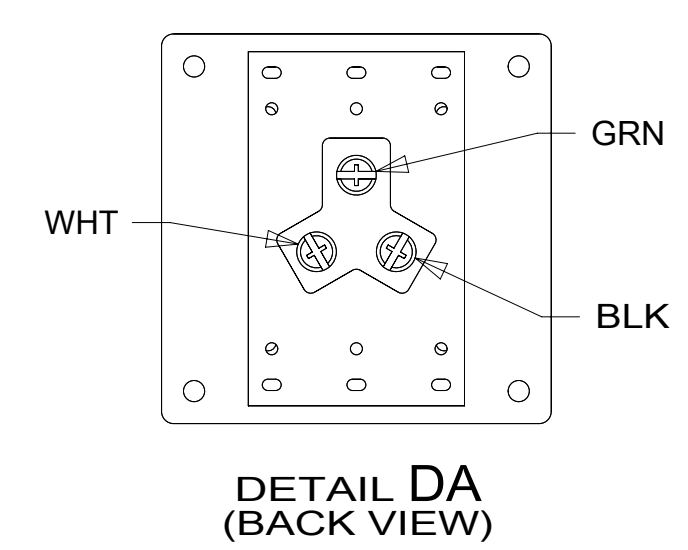
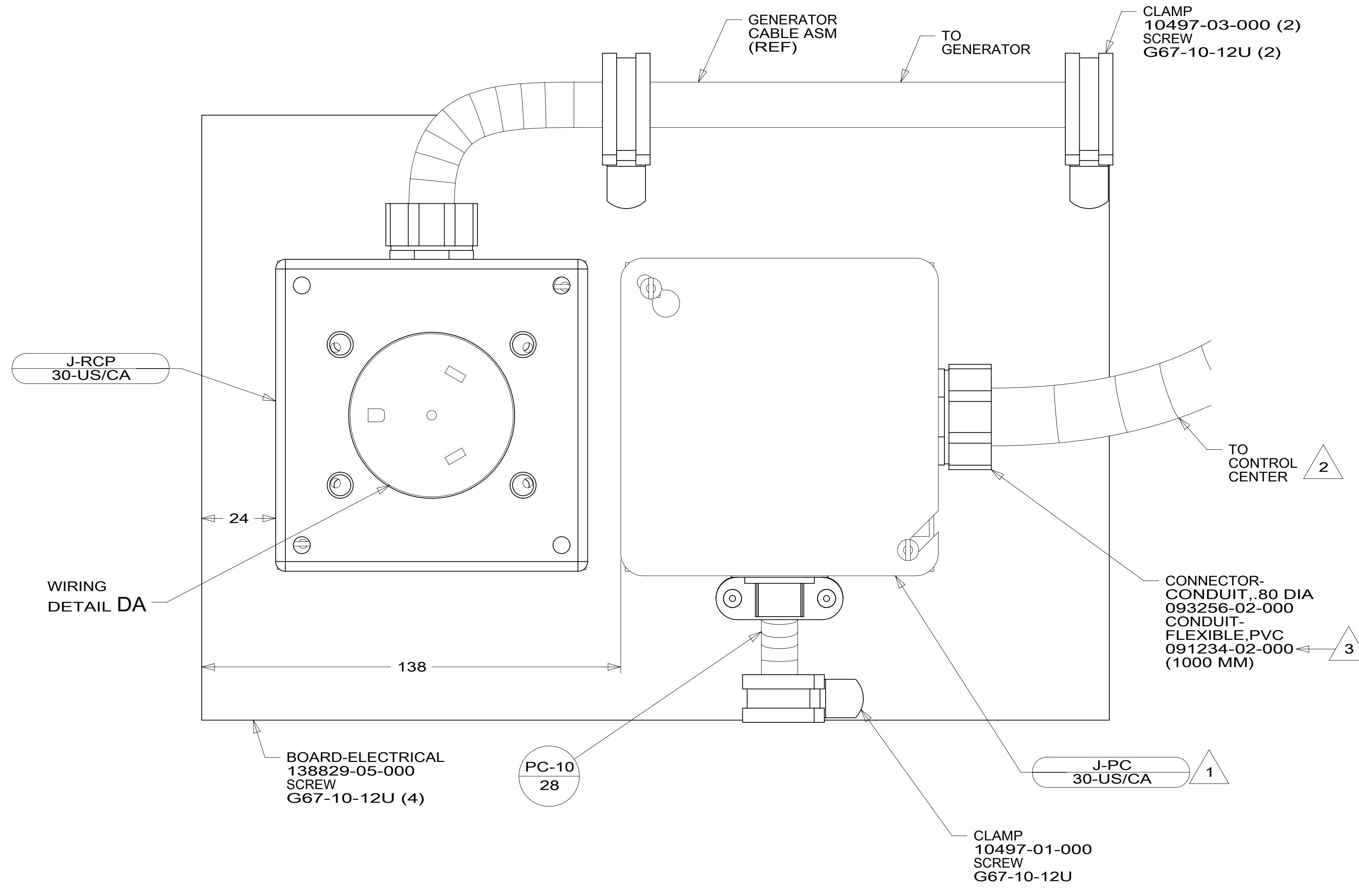
- 265 CODES/STANDARDS-CSA/CMVSS
- 1B1 CODES/STANDARDS USA
- 1B1 265

FIRST USED	
15 H-SERIES	
DO NOT SCALE DRAWING	
TITLE: LOAD CENTER/ATS ASM	
SHEET 3	PART NO 190956 REV
1 17-Nov-2015	

190956



- FUSE 62901-05-000 (8) (15 AMP)
- JA 12 YEL (WATER PUMP)
- JB 14 YEL (FURNACE/VENT)
- JG 14 YEL (DVD)
- JC 14 YEL (LAMPS)
- JD 14 YEL (TVS)
- JE 14 YEL (LAMPS)
- FUSE 62901-06-000 (20 AMP)
- NM 10 YEL (REFRIGERATOR)
- JF 14 YEL (RADIO/12V RCP)
- FUSE 62901-01-000 (3 AMP)
- ET 16 YEL (REFRIGERATOR)
- WB 14 YEL (LP LEAK DETECTOR)
- FUSE 62901-02-000 (5 AMP)
- FFZ 12 YEL (TANK HTR/VENT)



- NOTES:
- 3 SECURE CONDUIT TO POWER CORD WITH TAPE 8363-01-000 FOR TRANSPORTATION PURPOSES.
 - 2 WIRES CONNECTED TO 4X4 BOX ON ASSEMBLY LINE ONCE PARTS ARE INSTALLED.
 - 1 CONNECT BLK TO BLK, WHT TO WHT, AND GRNDS TO GRNDS.

FOR ELECTRICAL TORQUE SPECIFICATIONS SEE DWG NO. 128783-01-000

FOR ELECTRICAL CALLOUTS SEE DWG NO. 121339-01-000

- 265 CODES/STANDARDS-CSA/CMVSS
- 1B1 CODES/STANDARDS USA
- 1B1 265

FIRST USED

15 H-SERIES

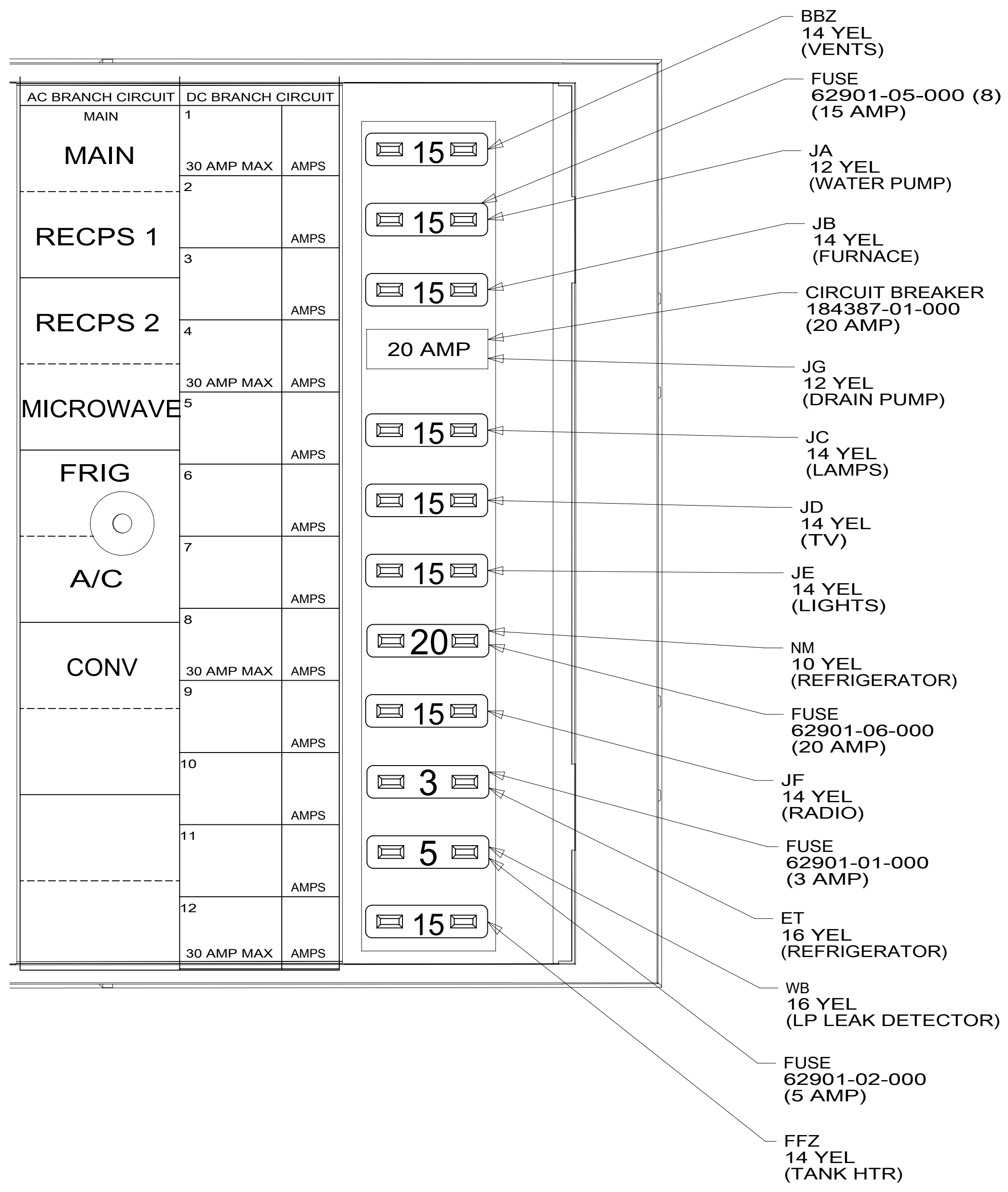
DO NOT SCALE DRAWING

TITLE: LOAD CENTER/ATS ASM

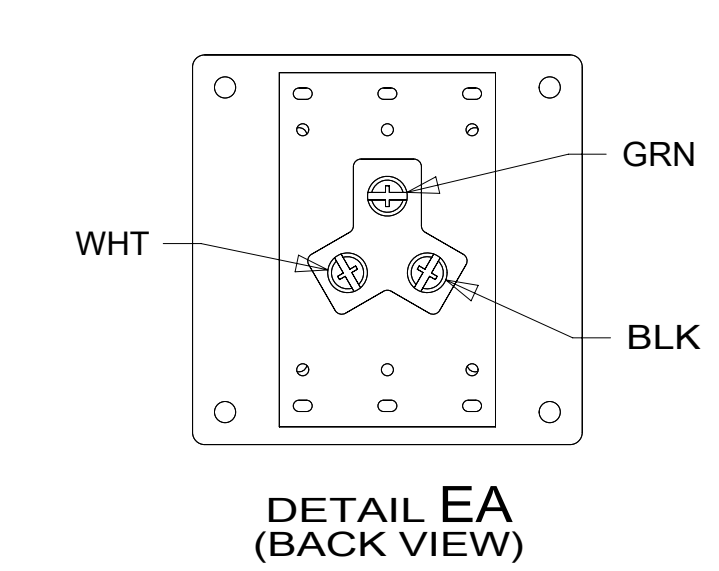
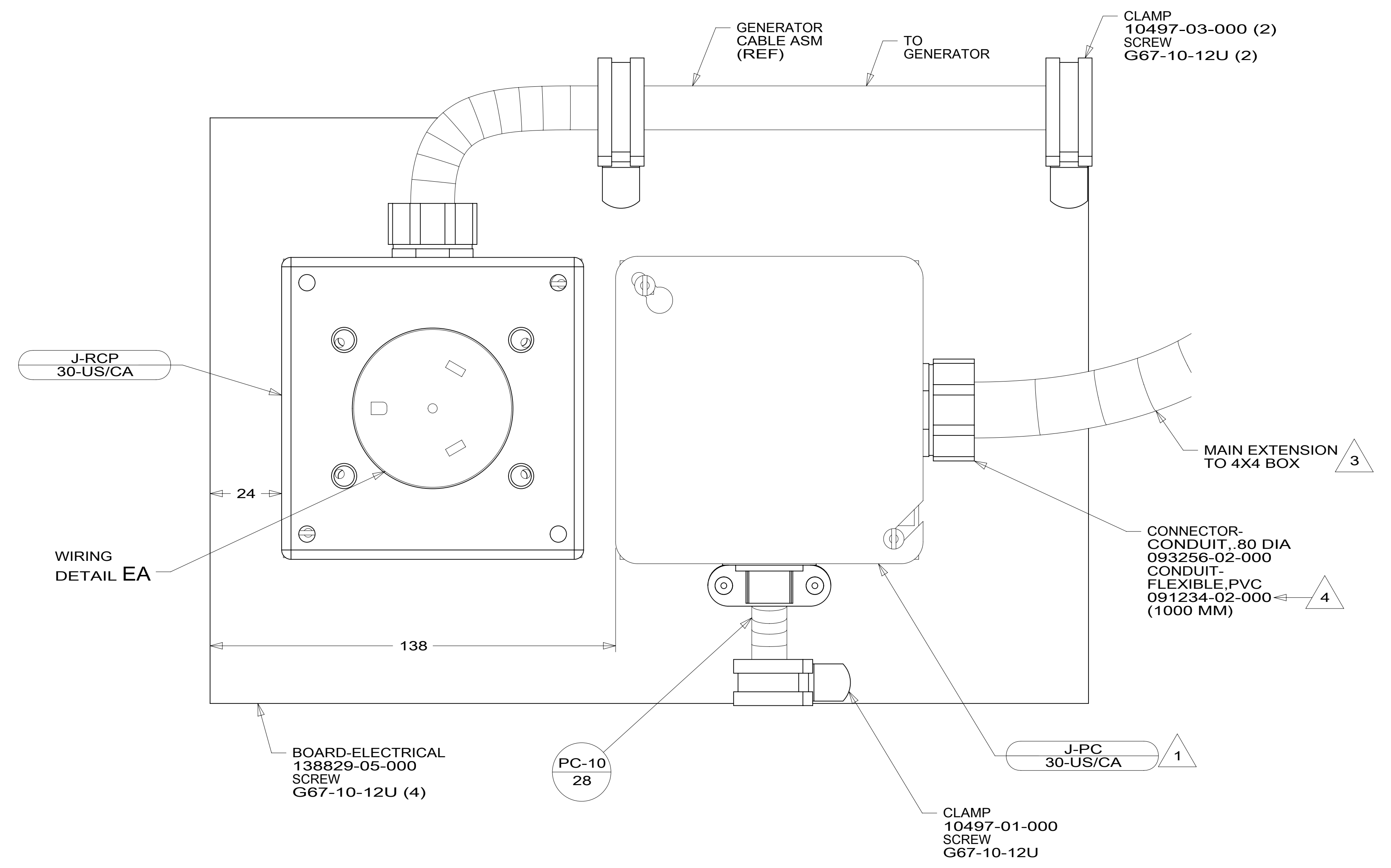
SHEET 4 PART NO 190956 REV

17-Nov-2015

190956



- BBZ 14 YEL (VENTS)
- FUSE 62901-05-000 (8) (15 AMP)
- JA 12 YEL (WATER PUMP)
- JB 14 YEL (FURNACE)
- CIRCUIT BREAKER 184387-01-000 (20 AMP)
- JG 12 YEL (DRAIN PUMP)
- JC 14 YEL (LAMPS)
- JD 14 YEL (TV)
- JE 14 YEL (LIGHTS)
- NM 10 YEL (REFRIGERATOR)
- FUSE 62901-06-000 (20 AMP)
- JF 14 YEL (RADIO)
- FUSE 62901-01-000 (3 AMP)
- ET 16 YEL (REFRIGERATOR)
- WB 16 YEL (LP LEAK DETECTOR)
- FUSE 62901-02-000 (5 AMP)
- FFZ 14 YEL (TANK HTR)



- NOTES:
- 4 SECURE CONDUIT TO POWER CORD WITH TAPE 8363-01-000 FOR TRANSPORTATION PURPOSES.
 - 3 MAIN EXTENSION TO BE CONNECTED TO 4X4 BOX AS SHOWN IN SUB-ASSEMBLY AREA.
 - 2 WIRES CONNECTED TO 4X4 BOX ON ASSEMBLY LINE ONCE PARTS ARE INSTALLED.
 - 1 CONNECT BLK TO BLK, WHT TO WHT, AND GRNDS TO GRNDS.

FOR ELECTRICAL TORQUE SPECIFICATIONS SEE DWG NO. 128783-01-000

FOR ELECTRICAL CALLOUTS SEE DWG NO. 121339-01-000

- 265 CODES/STANDARDS-CSA/CMVSS
- 1B1 CODES/STANDARDS USA
- 1B1 265

FIRST USED

15 H-SERIES

DO NOT SCALE DRAWING

TITLE: **LOAD CENTER/ATS ASM**

SHEET 5 PART NO **190956** REV

17-Nov-2015

190956