



DANGER

Danger of electrical shock, burns or death. Always remove all power sources before attempting any repair, service or diagnostic work. Power can be present from shore power, generator, inverter or battery. All power sources must be disabled and secured before performing any service.

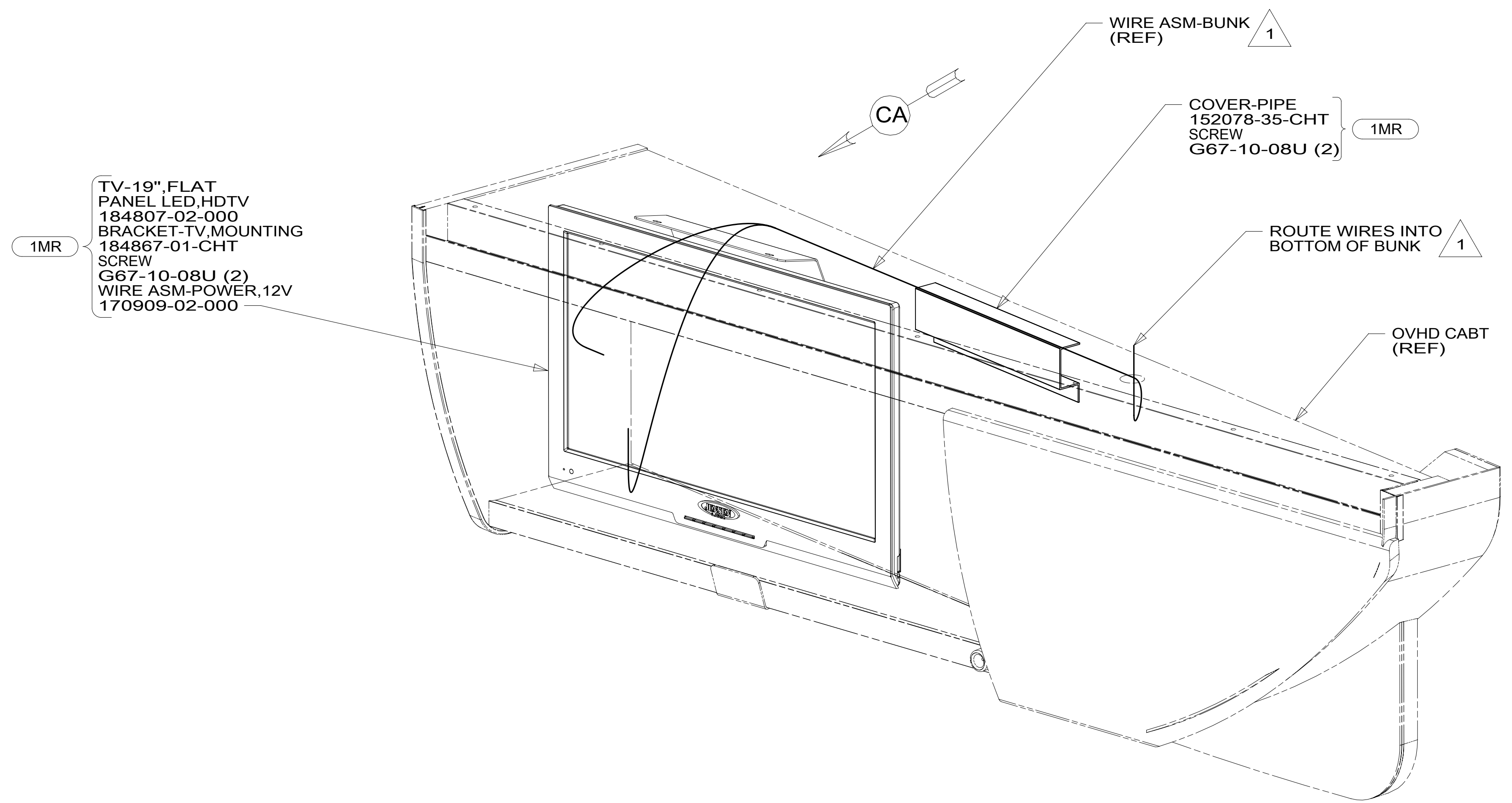


CAUTION

If you lack the skills, tools or equipment to perform diagnostic or repair work leave such work to an authorized Winnebago Industries dealer or other qualified shop.

DRAWING NO.	UNIT	SHEETS
190484-01	623L	1,2,3
190484-02	623B	4,5,6

RELEASE	REV/DATE	DWG NO	190484
REV ZONE	REVISION RECORD	DATE	DFTR-ORIG



1MR TV-19", FLAT
PANEL LED, HDTV
184807-02-000
BRACKET-TV, MOUNTING
184867-01-CHT
SCREW
G67-10-08U (2)
WIRE ASM-POWER, 12V
170909-02-000

WIRE ASM-BUNK
(REF) 1

COVER-PIPE
152078-35-CHT
SCREW
G67-10-08U (2) 1MR

ROUTE WIRES INTO
BOTTOM OF BUNK 1

OVHD CABT
(REF)

- 1MR TV(FRT)-19" DC LCD STEREO
- 265 CODES/STANDARDS-CSA/CMVSS
- 1B1 CODES/STANDARDS USA

1B1 265



DFTR	ORIG. DATE
CHKR	ALL DIMENSIONS ARE IN MILLIMETERS
P.E.	
M.E.	
DSNR	FIRST USED
15 600-SER	
UNSPECIFIED TOLERANCES ARE:	
WHOLE DIM (X)	: 3
ONE-PLACE (X.X)	: 1.5
TWO-PLACE (X.XX)	: 0.50
ANGLE	: 1°
THIRD ANGLE PROJECTION	
DO NOT SCALE DRAWING	REFER TO ES0018 FOR FASTENER TIGHTENING GUIDELINES

TITLE:		WIRING INSTL-TV/DVD	
SHEET	1 OF 6	PART NO	190484
REF:	1	REV	23-Oct-2015

1 SEE WIRING INSTL-BODY, 12V FOR ADDITIONAL INFORMATION.

FOR ELECTRICAL
TORQUE
SPECIFICATIONS
SEE DWG NO.
128783-01-000

X-X FOR
ELECTRICAL
CALLOUTS
SEE DWG NO.
121339-01-000

*190484 *A

- TV-24", FLAT PANEL DLED,HDTV
194363-01-000
- BRACKET-TV, SWING
179241-05-CHT
- SCREW
G67-10-12U (6)
- BRKT ASM-MNTNG,TV
302657-01-CHT
- SCREW
OMG02U-04-012 (4)
- WASHER
OME02U-04-071 (4)
- NUT
D28-10-00U (4)
- WASHER
E13-10-00U (4)
- CORD-POWER,12VDC
191991-01-000
- CABLE-AUDIO 1/8 TO RCA
160574-01-000

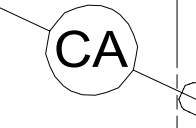
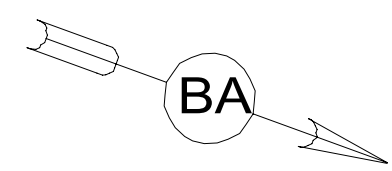
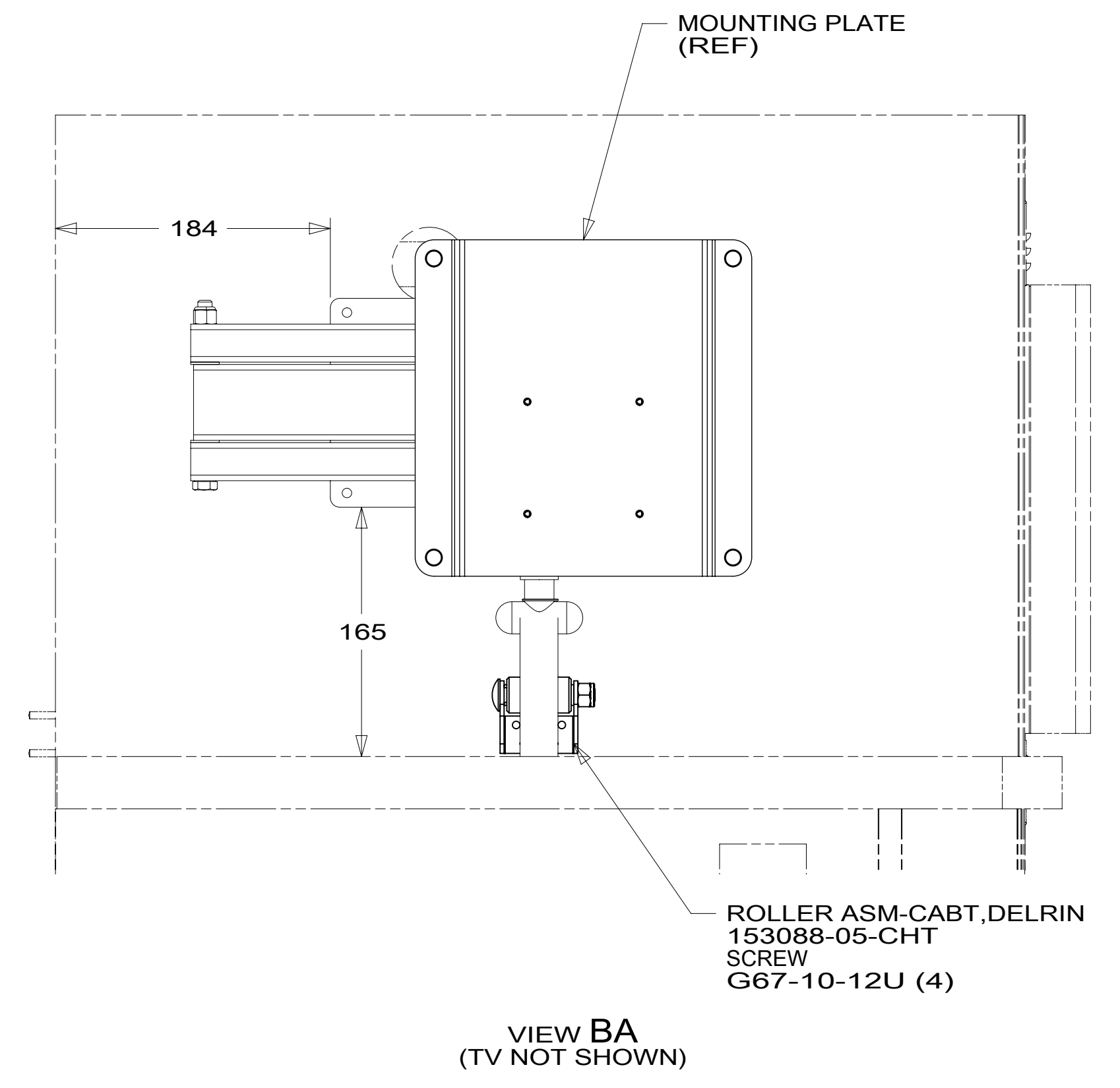


PLATE-WALL
179004-02-CHT

PLATE-HDMI
175530-04-CHT
SCREW
G13-05-10U (2)

PLATE-WALL
149557-09-CHT
SCREW
G67-10-08U (2)



- 68Y TV - MAIN
- 265 CODES/STANDARDS-CSA/CMVSS
- 1B1 CODES/STANDARDS USA

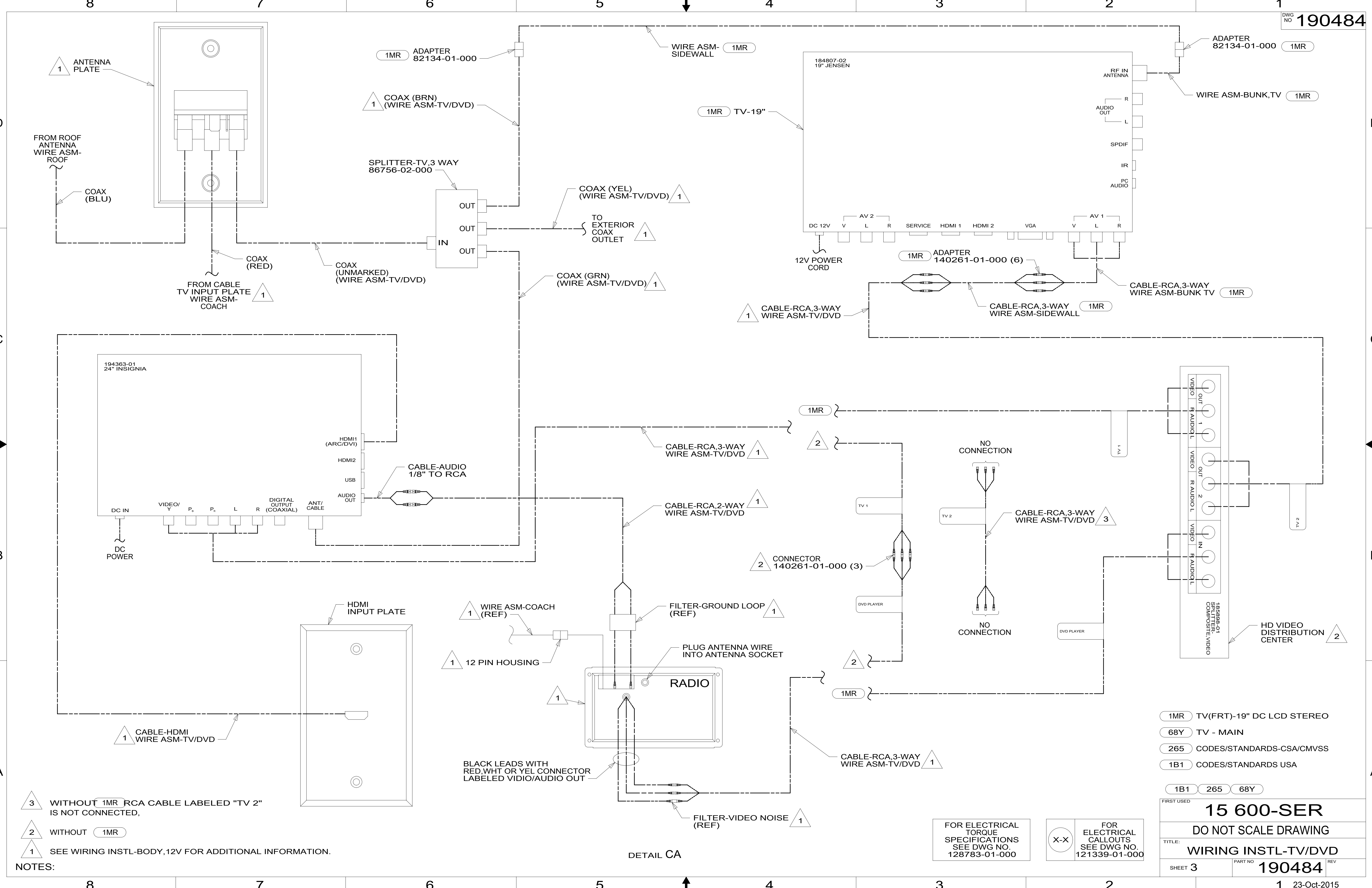
1B1 265 68Y

FIRST USED	
15 600-SER	
DO NOT SCALE DRAWING	
TITLE: WIRING INSTL-TV/DVD	
SHEET 2	PART NO. 190484 REV
1 23-Oct-2015	

FOR ELECTRICAL TORQUE SPECIFICATIONS SEE DWG NO. 128783-01-000

X-X FOR ELECTRICAL CALLOUTS SEE DWG NO. 121339-01-000

* 190484 *



NOTES:
 3 WITHOUT 1MR RCA CABLE LABELED "TV 2" IS NOT CONNECTED,
 2 WITHOUT 1MR
 1 SEE WIRING INSTL-BODY, 12V FOR ADDITIONAL INFORMATION.

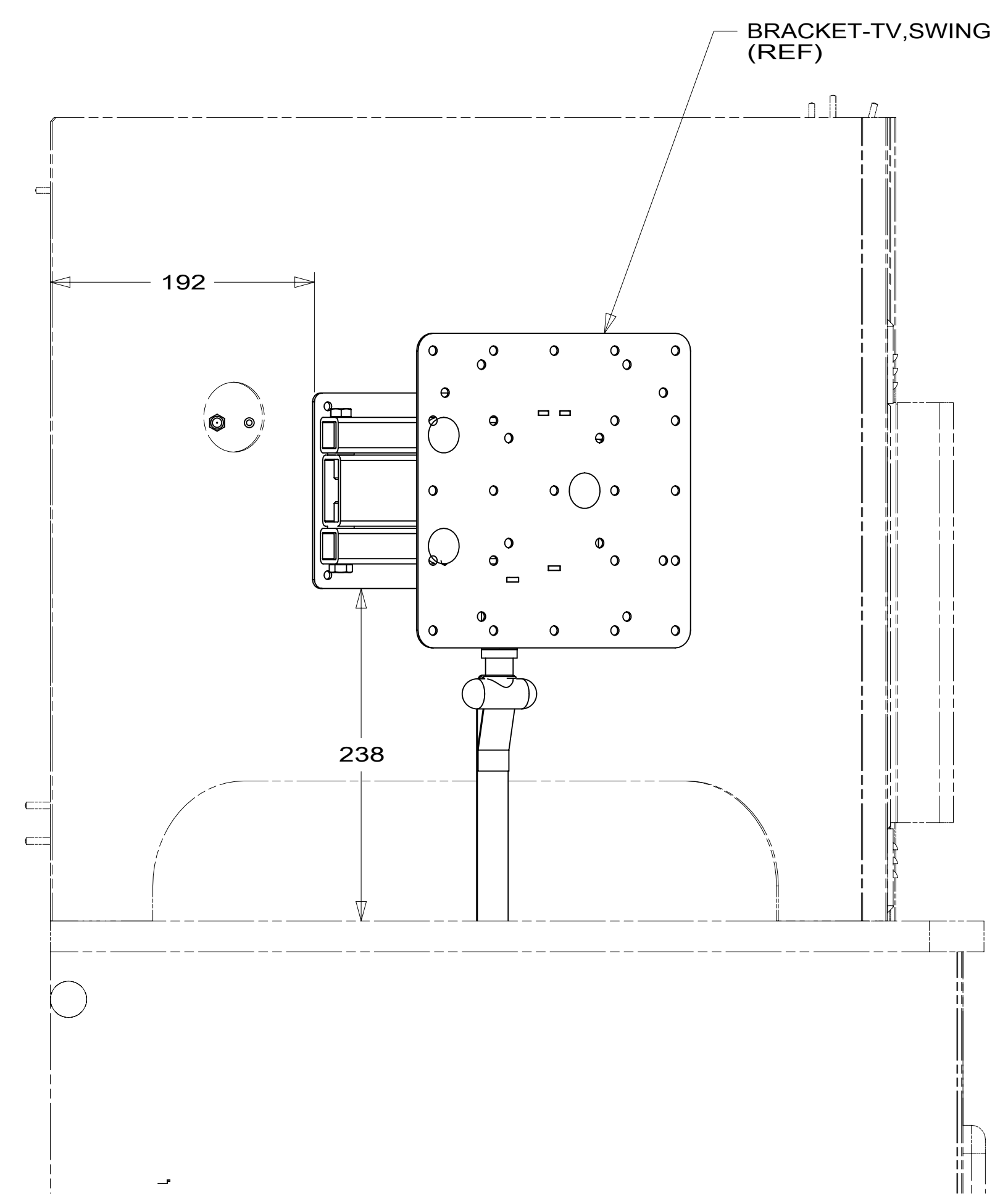
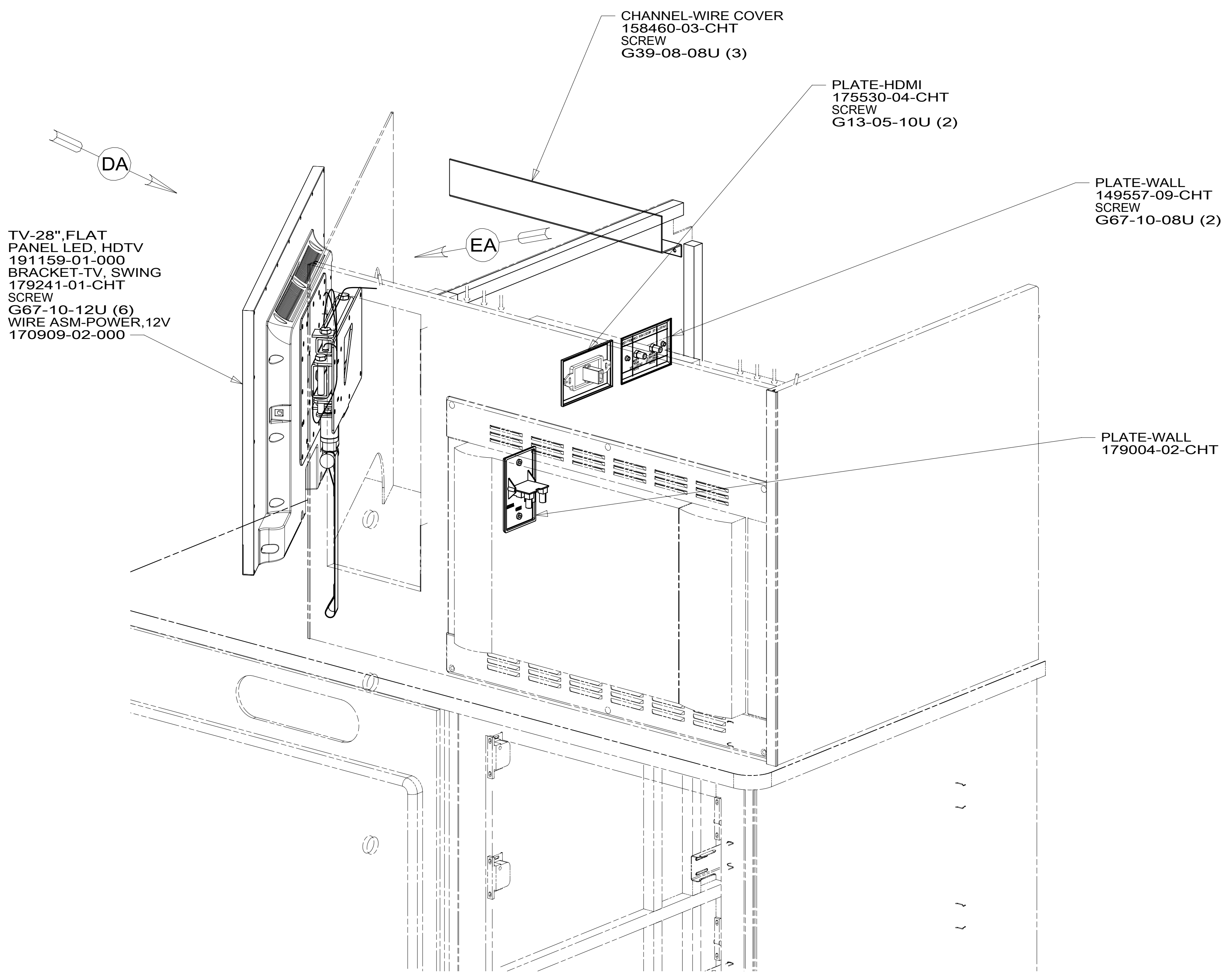
FOR ELECTRICAL TORQUE SPECIFICATIONS SEE DWG NO. 128783-01-000

X-X FOR ELECTRICAL CALLOUTS SEE DWG NO. 121339-01-000

1MR	TV (FRT)-19" DC LCD STEREO	
68Y	TV - MAIN	
265	CODES/STANDARDS-CSA/CMVSS	
1B1	CODES/STANDARDS USA	
1B1	265	68Y
FIRST USED		
15 600-SER		
DO NOT SCALE DRAWING		
TITLE: WIRING INSTL-TV/DVD		
SHEET 3	PART NO 190484	REV
1 23-Oct-2015		

DETAIL CA

* 190484 *



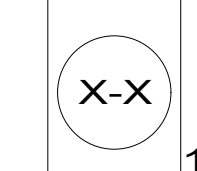
- 68G TV-28" COLOR, STEREO W/REMOTE
- 265 CODES/STANDARDS-CSA/CMVSS
- 1B1 CODES/STANDARDS USA

1B1 265 68G

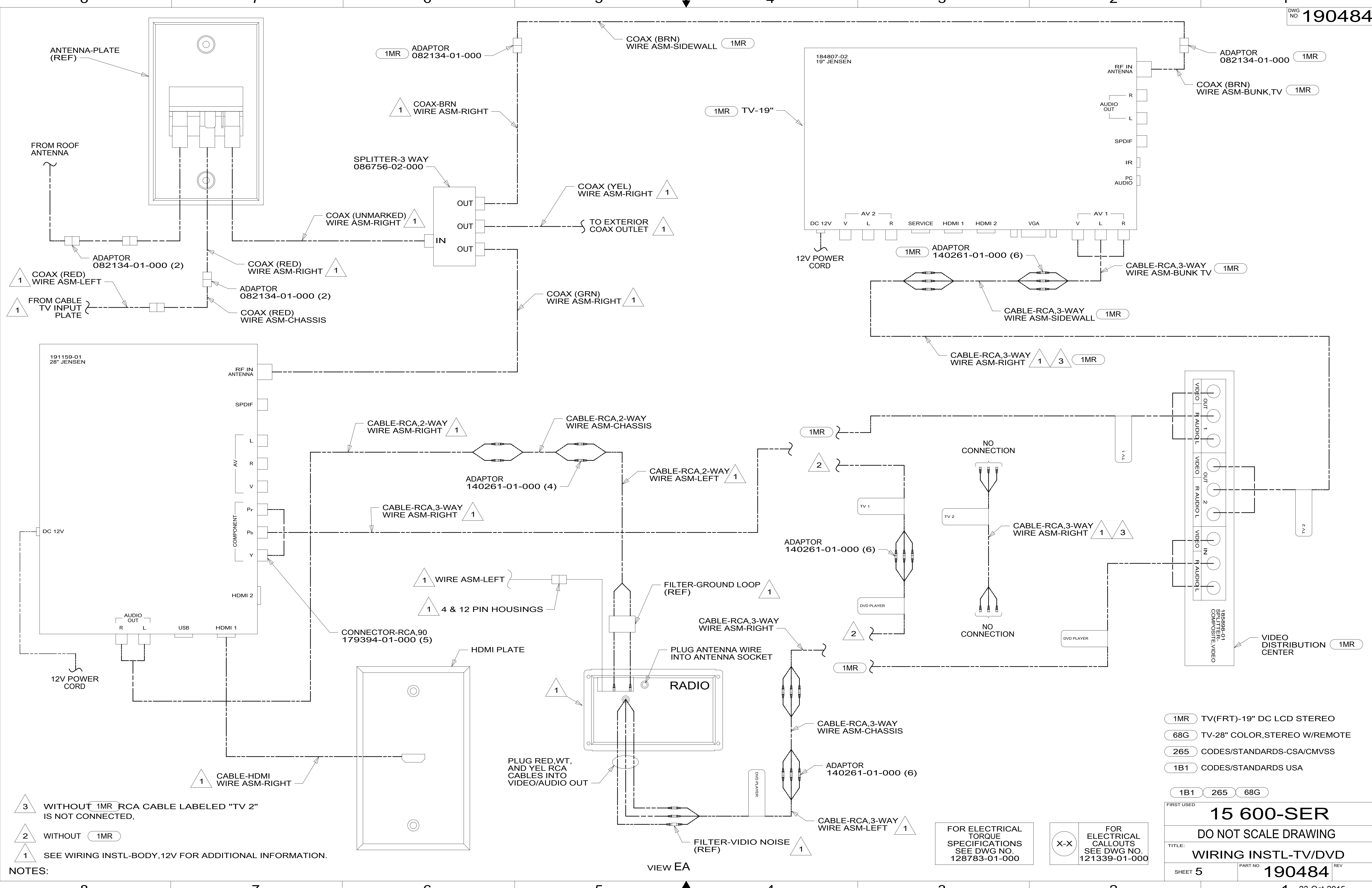
FIRST USED	
15 600-SER	
DO NOT SCALE DRAWING	
TITLE: WIRING INSTL-TV/DVD	
SHEET 4	PART NO 190484 REV
1 23-Oct-2015	

FOR ELECTRICAL TORQUE SPECIFICATIONS SEE DWG NO. 128783-01-000

FOR ELECTRICAL CALLOUTS SEE DWG NO. 121339-01-000



190484



NOTES:
 3 WITHOUT 1MR RCA CABLE LABELED "TV 2" IS NOT CONNECTED,
 2 WITHOUT 1MR
 1 SEE WIRING INSTL-BODY, 12V FOR ADDITIONAL INFORMATION.

FOR ELECTRICAL TORQUE SPECIFICATIONS SEE DWG NO. 128783-01-000

X-X FOR ELECTRICAL CALLOUTS SEE DWG NO. 121339-01-000

- 1MR TV(FRT)-19" DC LCD STEREO
- 68G TV-28" COLOR,STEREO W/REMOTE
- 265 CODES/STANDARDS-CSA/CMVSS
- 1B1 CODES/STANDARDS USA

FIRST USED

15 600-SER

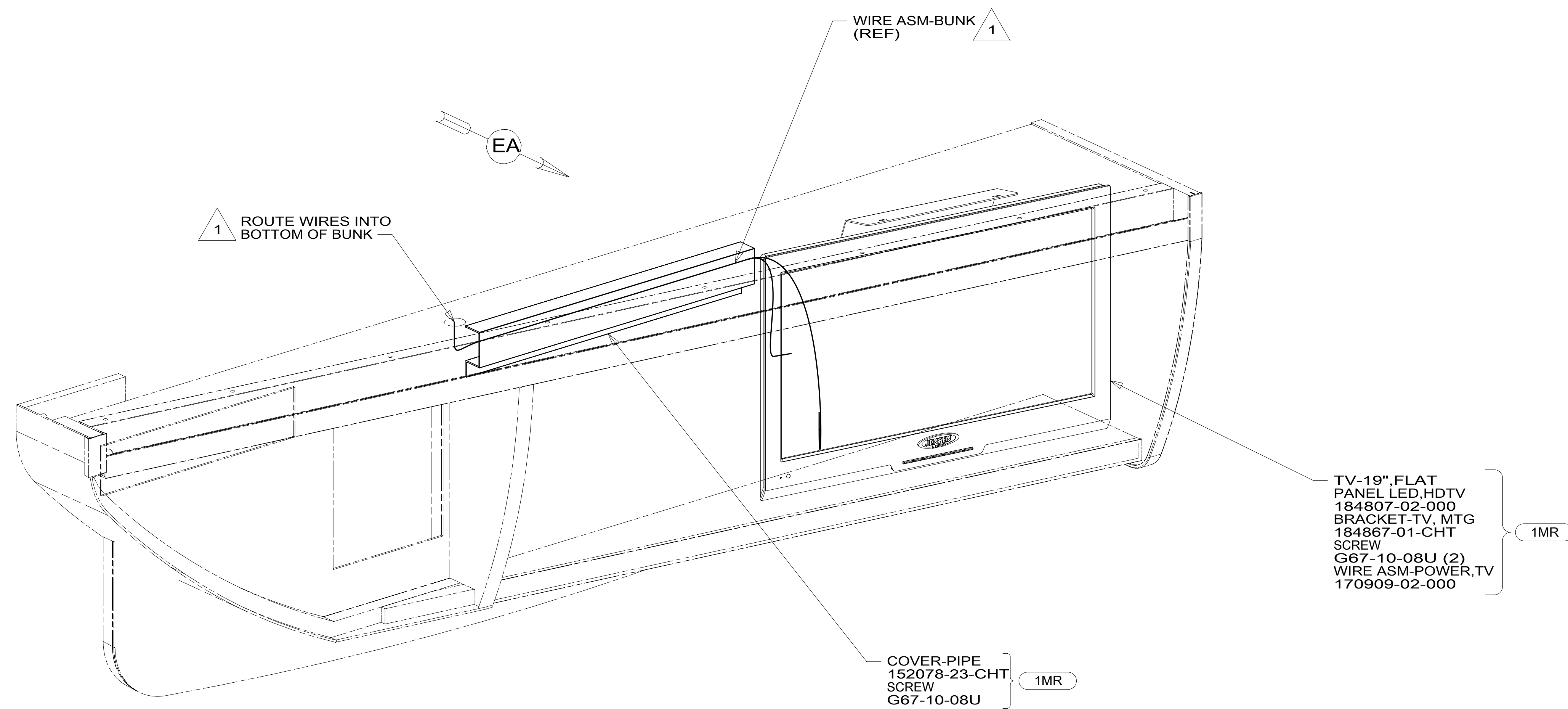
DO NOT SCALE DRAWING

TITLE: **WIRING INSTL-TV/DVD**

SHEET 5 PART NO **190484** REV

23-Oct-2015

* 190484 *



NOTES:
 1 SEE WIRING INSTL-BODY, 12V FOR ADDITIONAL INFORMATION.

FOR ELECTRICAL TORQUE SPECIFICATIONS SEE DWG NO. 128783-01-000

FOR ELECTRICAL CALLOUTS SEE DWG NO. 121339-01-000

- 1MR TV(FRT)-19" DC LCD STEREO
- 265 CODES/STANDARDS-CSA/CMVSS
- 1B1 CODES/STANDARDS USA

1B1	265
FIRST USED	
15 600-SER	
DO NOT SCALE DRAWING	
TITLE: WIRING INSTL-TV/DVD	
SHEET 6	PART NO 190484 REV

* 190484 * A