



**DANGER**

**Danger of electrical shock, burns or death.** Always remove all power sources before attempting any repair, service or diagnostic work. Power can be present from shore power, generator, inverter or battery. All power sources must be disabled and secured before performing any service.



**CAUTION**

If you lack the skills, tools or equipment to perform diagnostic or repair work leave such work to an authorized Winnebago Industries dealer or other qualified shop.

8

7

6

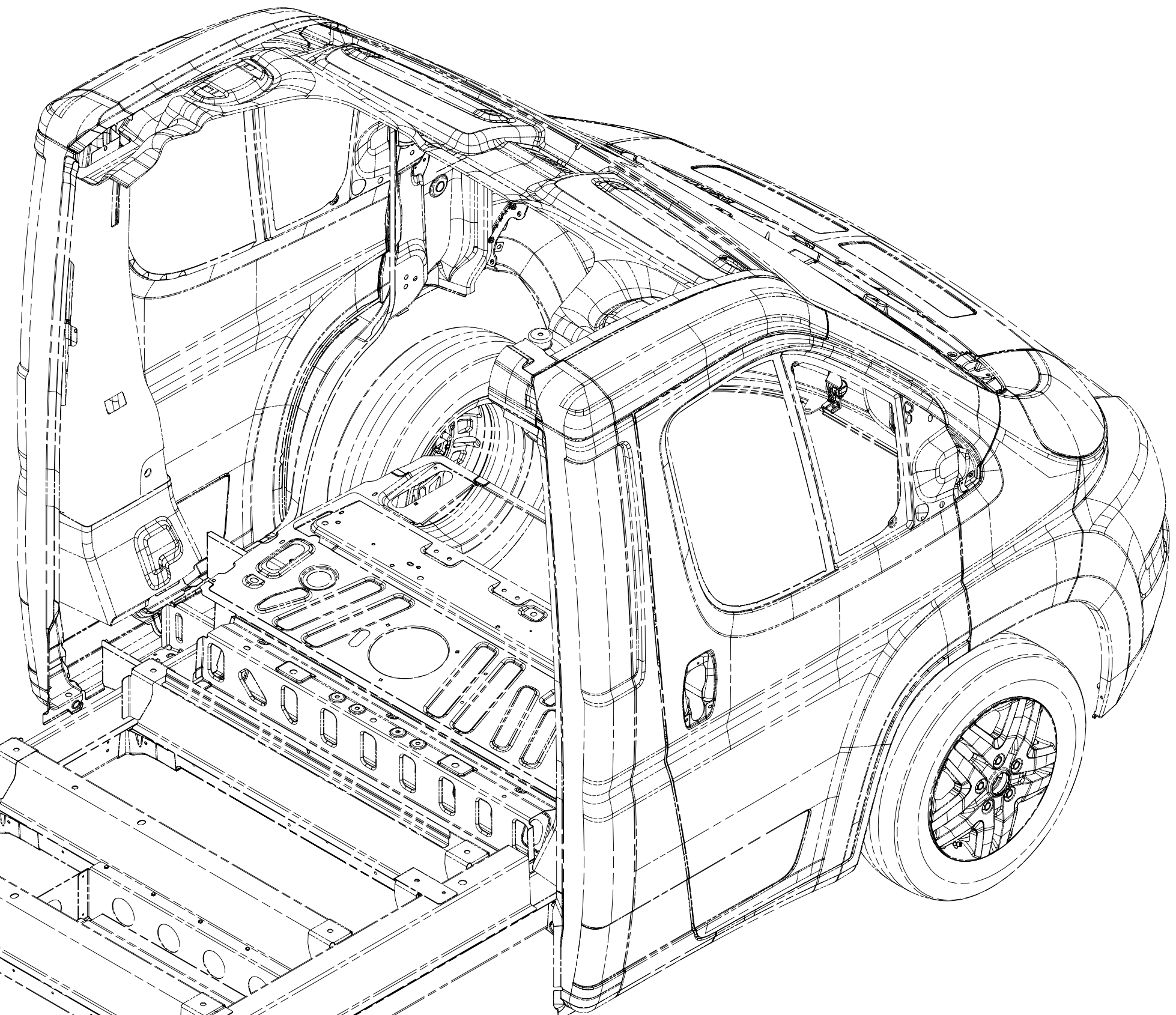
5

4

3

2

1



WIRE ASM-MAIN  
HOLDING TANK  
151317-03-000

WIRE ASM-AUX  
HOLDING TANK  
151316-03-000

4 TO TANK HEATER PADS WITH 23R  
OR 23T

3 WIRE PASSES THROUGH FLOOR IN THIS AREA.

2. ROUTE TANK SENSOR WIRES SO THEY DO NOT PASSOVER SENSORS. USE WIRE TIE MOUNT 155366-01-000 AND WIRE TIE 8343-01-000 AS NEEDED. TANK SURFACE MUST BE CLEANED USING ISOPROPYL ALCOHOL AND PRIMED WITH PRIMER 94.

1. AT MINIMUM ALL WIRES TO BE SUPPORTED AND SECURED PER CODE REQUIREMENTS. USE CLAMP 10495 OR 10497 OR WIRE TIE 8343 OR 108046 AND SCREW G67-XX-XXX OR G56-XX-XXX AS APPROPRIATE FOR INSTALLATION.

NOTES:

- 23R DRAINAGE SYSTEM/HEAT-PREWIRE
- 23T DRAINAGE SYSTEM-HEATED
- 265 CODES/STANDARDS-CSA/CMVSS
- 1B1 CODES/STANDARDS USA

1B1 265

**WINNEBAGO** COPYRIGHT 2014  
WINNEBAGO  
INDUSTRIES, INC.

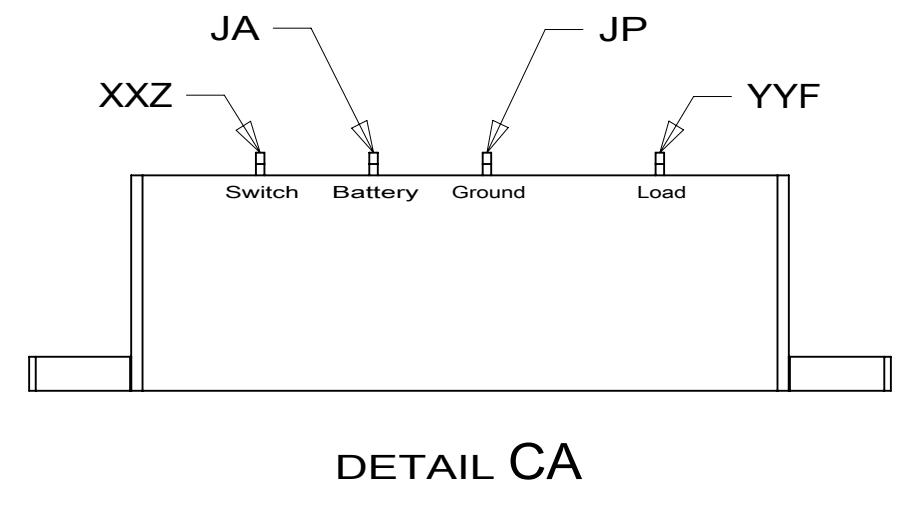
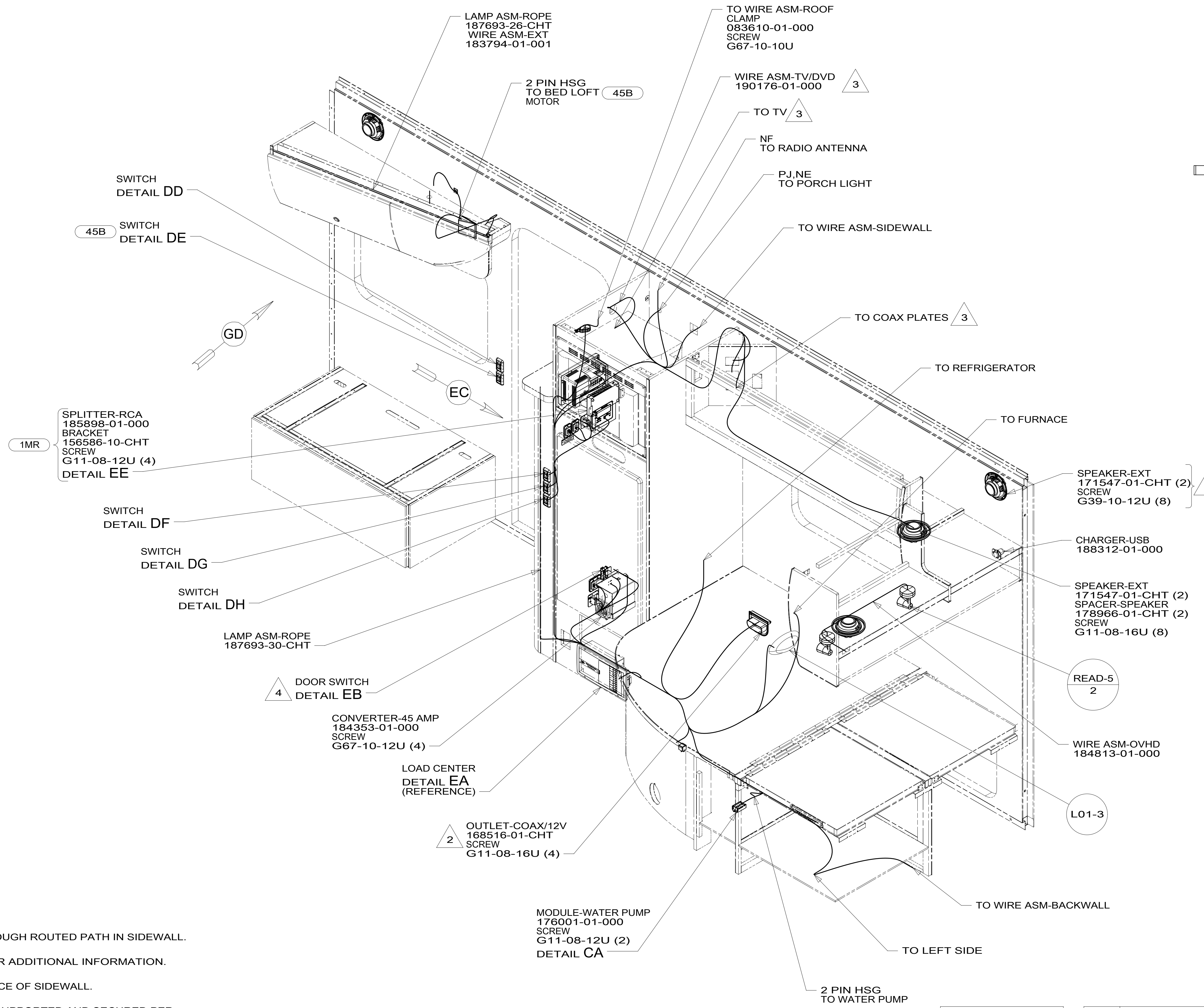
|   |   |
|---|---|
| DFT-ORIG                                | ORIG. DATE  |
| CHKR                                    | ALL DIMENSIONS ARE<br>IN MILLIMETERS                  |
| P.E.                                    |   |
| M.E.                                    | FIRST USED  |
| DSNR                                    | <b>15 623L</b>  |
| UNSPECIFIED TOLERANCES ARE:             |   |
| WHOLE DIM (X)                           | : 3   |
| ONE-PLACE (X.X)                         | : 1.5   |
| TWO-PLACE (X.XX)                        | : 0.50  |
| ANGLE                                   | : 1°  |
| THIRD ANGLE<br>PROJECTION               |   |
| DO NOT SCALE DRAWING                    | REFER TO ES0018 FOR FASTENER<br>TIGHTENING GUIDELINES |
| TITLE:<br><b>WIRING INSTL-BODY, 12V</b> |   |
| SHEET 1 OF 7                            | PART NO <b>190482</b> REV                             |

FOR ELECTRICAL  
TORQUE  
SPECIFICATIONS  
SEE DWG NO.  
128783-01-000

FOR  
ELECTRICAL  
CALLOUTS  
SEE DWG NO.  
121339-01-000

\*190482\*





- 4 WIRES FOR SWITCH PASS THROUGH ROUTED PATH IN SIDEWALL.
- 3 SEE WIRING INSTL-TV/DVD FOR ADDITIONAL INFORMATION.
- 2 MOUNTED TO EXTERIOR SURFACE OF SIDEWALL.

1. AT MINIMUM ALL WIRES TO BE SUPPORTED AND SECURED PER CODE REQUIREMENTS. USE CLAMP 10495 OR 10497 OR WIRE TIE 8343 OR 108046 AND SCREW G67-XX-XXX OR G56-XX-XXX AS APPROPRIATE FOR INSTALLATION.

NOTES:

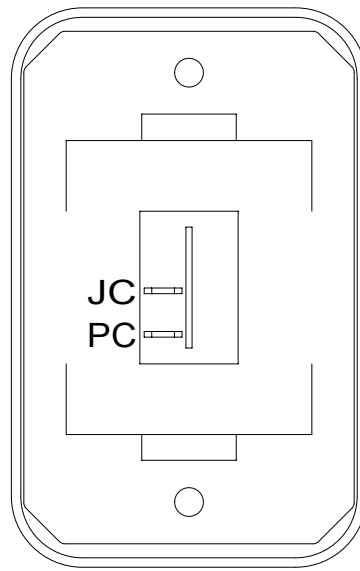
FOR ELECTRICAL TORQUE SPECIFICATIONS SEE DWG NO. 128783-01-000

FOR ELECTRICAL CALLOUTS SEE DWG NO. 121339-01-000

- 1MR TV(FRT)-19" DC LCD STEREO
- 45B LOFT BED
- 1DJ EXTERIOR SPEAKER SYSTEM
- 265 CODES/STANDARDS-CSA/CMVSS
- 1B1 CODES/STANDARDS USA

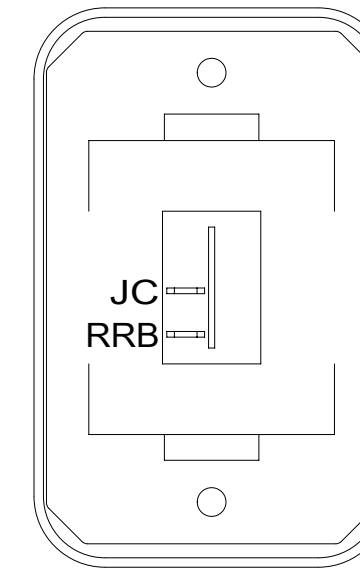
|                                      |         |                |     |
|--------------------------------------|---------|----------------|-----|
| FIRST USED                           |         | <b>15 623L</b> |     |
| <b>DO NOT SCALE DRAWING</b>          |         |                |     |
| <b>TITLE: WIRING INSTL-BODY, 12V</b> |         |                |     |
| SHEET 3                              | PART NO | <b>190482</b>  | REV |
|                                      |         | 1 18-May-2015  |     |

\*190482\*



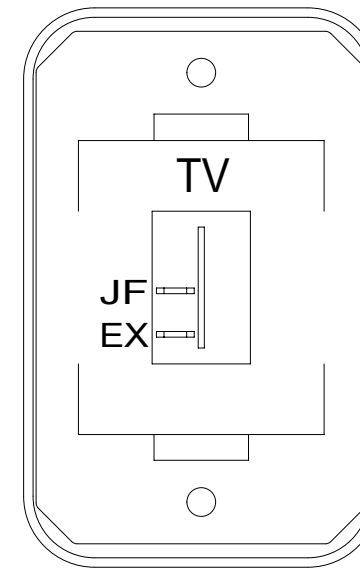
SWITCH-ROCKER  
135740-01-CHT  
SWITCH-BASE  
135741-01-CHT  
SWITCH-BEZEL  
135742-01-CHT  
SCREW  
G11-08-08U (2)

DETAIL DA



SWITCH-ROCKER  
135740-01-CHT  
SWITCH-BASE  
135741-01-CHT  
SWITCH-BEZEL  
135742-01-CHT  
SCREW  
G11-08-08U (2)

DETAIL DE 45B



SWITCH-ROCKER  
135740-01-CHT  
SWITCH-BASE  
135741-01-CHT  
SWITCH-BEZEL  
135742-01-CHT  
SCREW  
G11-08-08U (2)

DETAIL DJ

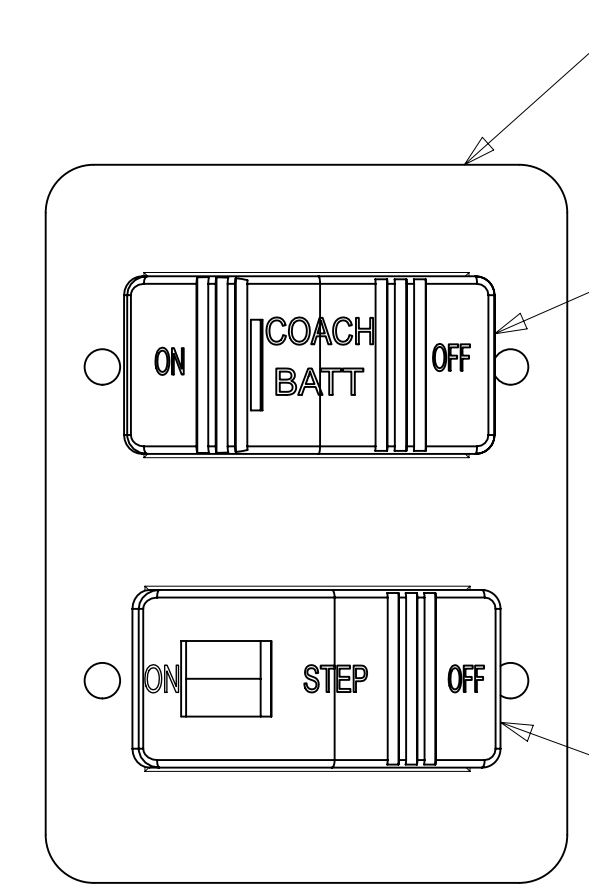
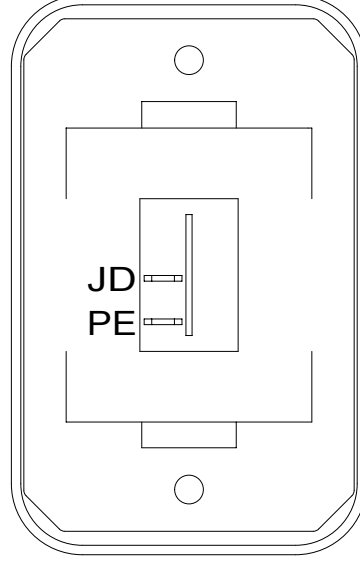


PLATE  
158431-17-CHT  
SCREW  
G11-06-10U (4)

SWITCH-BATTERY  
108357-18-000  
ACTUATOR  
108356-19-CHT  
(CIRCUITS LH,LJ  
LG,NE,JE)  
WIRE ASM-THERM  
186796-01-000

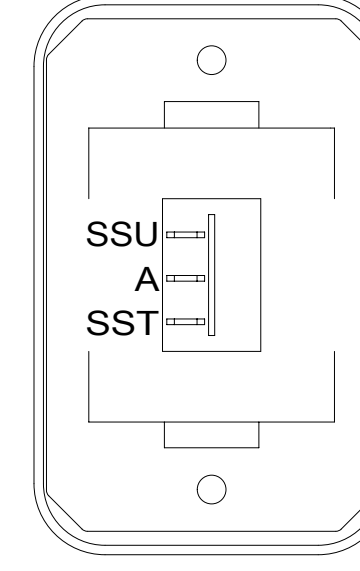
SWITCH-STEP  
108357-19-000  
(CIRCUITS ER,ES)

DETAIL DN



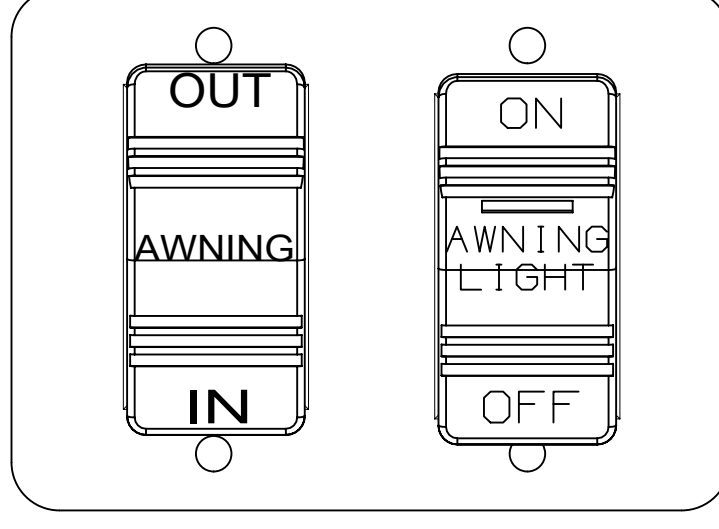
SWITCH-ROCKER  
135740-01-CHT  
SWITCH-BASE  
135741-01-CHT  
SWITCH-BEZEL  
135742-01-CHT  
SCREW  
G11-08-08U (2)

DETAIL DB



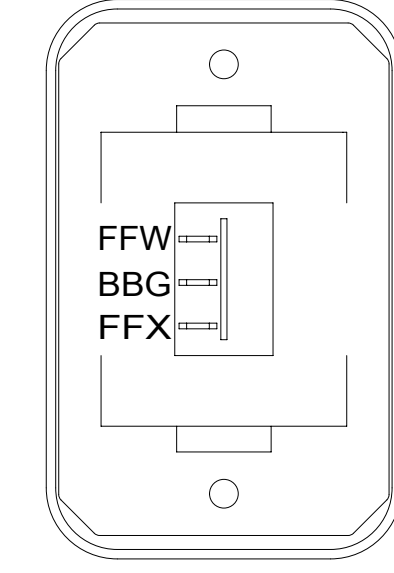
SWITCH-ROCKER  
135740-02-CHT  
SWITCH-BASE  
135741-01-CHT  
SWITCH-BEZEL  
135742-01-CHT  
SCREW  
G11-08-08U (2)

DETAIL DF



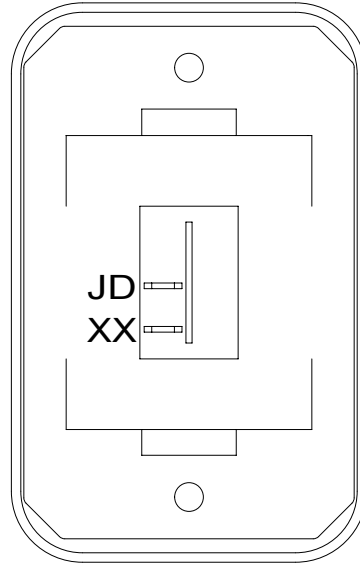
SWITCH-AWNING  
108357-06-000  
ACTUATOR  
108356-12-000  
SWITCH-AWNING LIGHT  
108357-14-000  
ACTUATOR  
108356-28-CHT  
PLATE  
158431-17-CHT  
SCREW  
G11-08-10U (2)

DETAIL DK



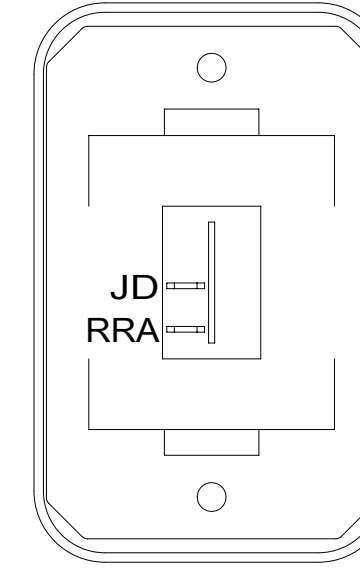
SWITCH-ROCKER  
135740-02-CHT  
SWITCH-BASE  
135741-01-CHT  
SWITCH-BEZEL  
135742-01-CHT  
SCREW  
G11-08-08U (2)

DETAIL DP



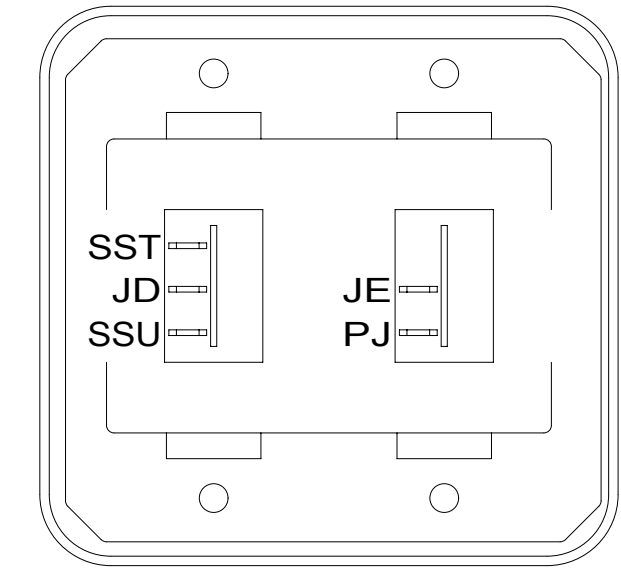
SWITCH-ROCKER  
135740-01-CHT  
SWITCH-BASE  
135741-01-CHT  
SWITCH-BEZEL  
135742-01-CHT  
SCREW  
G11-08-08U (2)

DETAIL DC



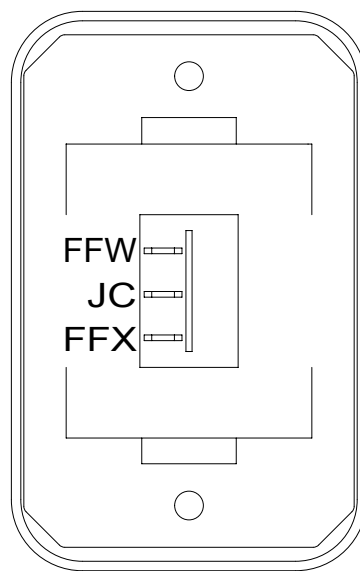
SWITCH-ROCKER  
135740-01-CHT  
SWITCH-BASE  
135741-01-CHT  
SWITCH-BEZEL  
135742-01-CHT  
SCREW  
G11-08-08U (2)

DETAIL DG



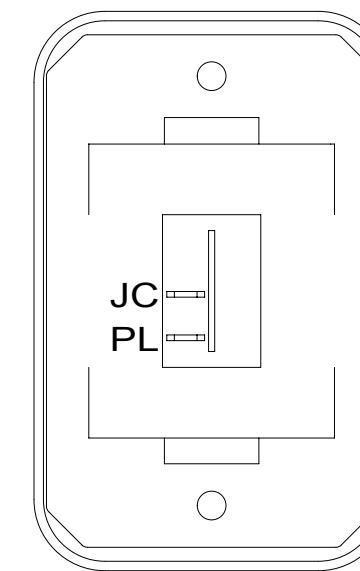
SWITCH-ROCKER  
135740-01-CHT  
135740-02-CHT  
SWITCH-BASE  
135741-01-CHT  
135741-02-CHT  
SWITCH-BEZEL  
135742-01-CHT  
SCREW  
G11-08-08U (4)

DETAIL DL



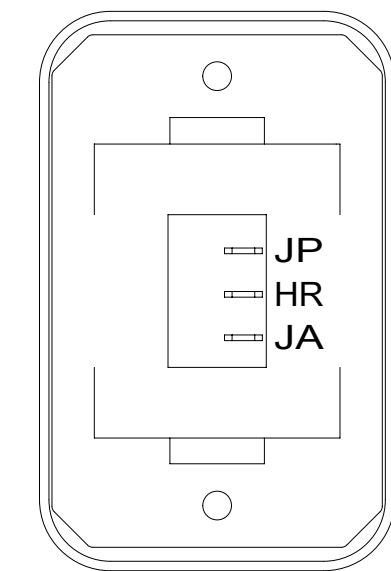
SWITCH-ROCKER  
135740-02-CHT  
SWITCH-BASE  
135741-01-CHT  
SWITCH-BEZEL  
135742-01-CHT  
SCREW  
G11-08-08U (2)

DETAIL DD



SWITCH-ROCKER  
135740-01-CHT  
SWITCH-BASE  
135741-01-CHT  
SWITCH-BEZEL  
135742-01-CHT  
SCREW  
G11-08-08U (2)

DETAIL DH



SWITCH-ROCKER  
135740-06-CHT  
SWITCH-BLANK  
138253-01-CHT  
SWITCH-BASE  
135741-01-CHT  
SWITCH-BEZEL  
135742-01-CHT  
SCREW  
G11-08-08U (2)

HOLDING TANK HEATER  
TURN OFF When Not In Use  
SEE OPERATORS MANUAL

LABEL  
134563-01-CHT 23T OR 23R

DETAIL DM

- 45B LOFT BED
- 23R DRAINAGE SYSTEM/HEAT-PREWIRE
- 23T DRAINAGE SYSTEM-HEATED
- 265 CODES/STANDARDS-CSA/CMVSS
- 1B1 CODES/STANDARDS USA

1B1 265

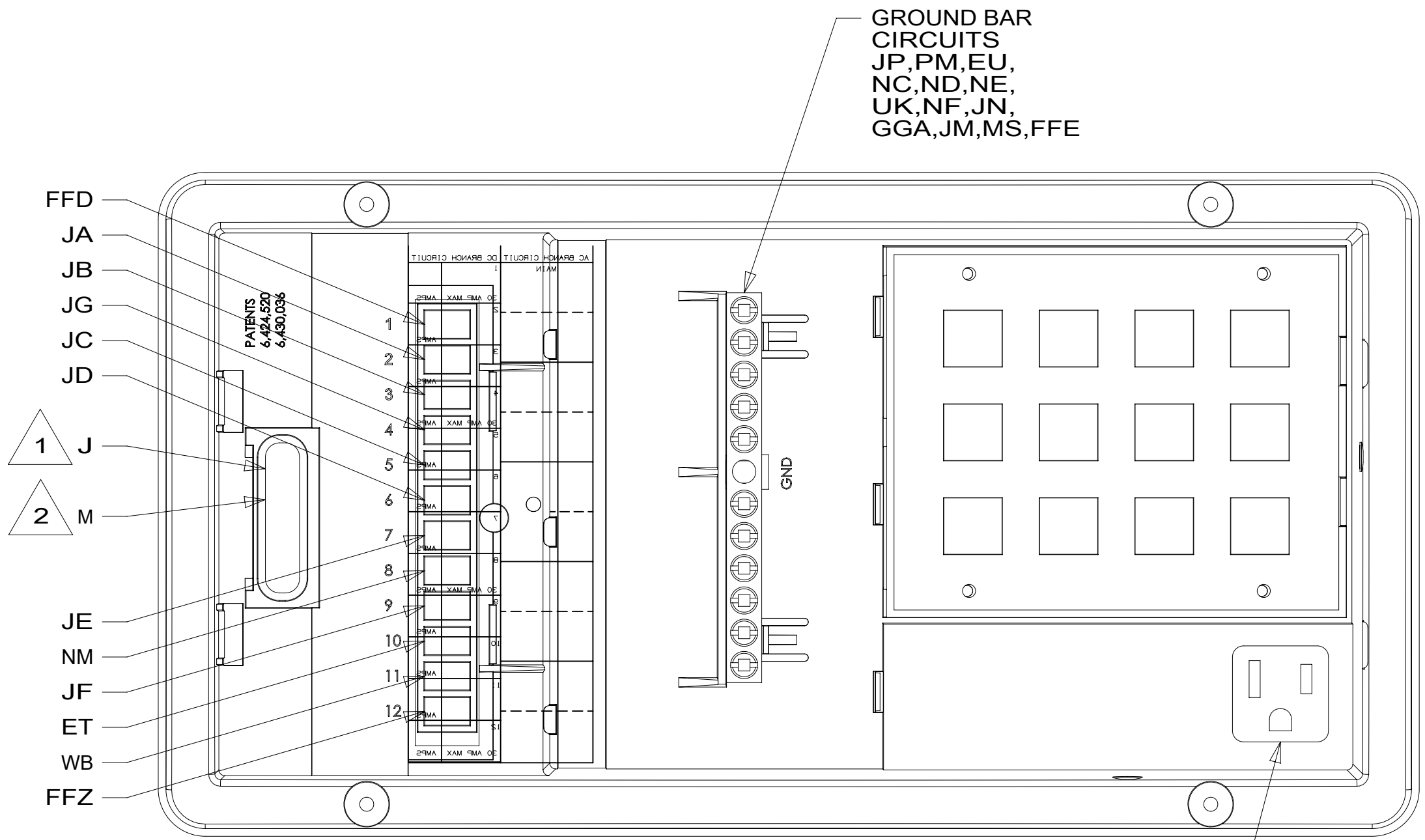
|            |                        |
|------------|------------------------|
| FIRST USED | 15 623L                |
| TITLE:     | DO NOT SCALE DRAWING   |
|            | WIRING INSTL-BODY, 12V |
| SHEET 4    | PART NO 190482 REV     |
|            | 18-May-2015            |

FOR ELECTRICAL  
TORQUE  
SPECIFICATIONS  
SEE DWG NO.  
128783-01-000

FOR  
ELECTRICAL  
CALLOUTS  
SEE DWG NO.  
121339-01-000

NOTES:  
1 WITHOUT 23T OR 23R

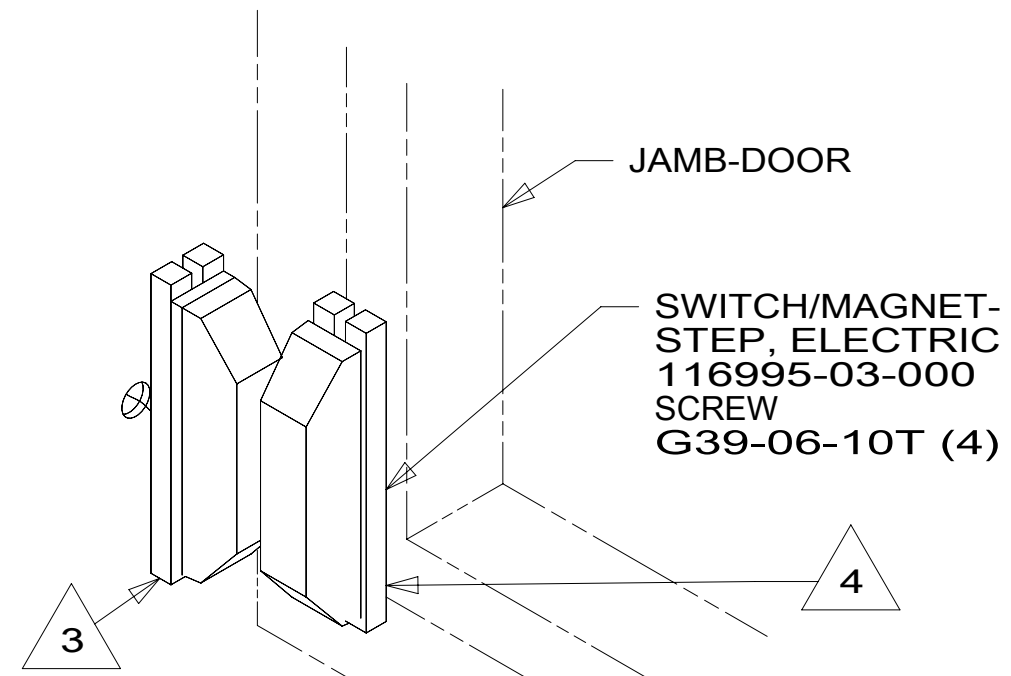
\* 190482 A \*



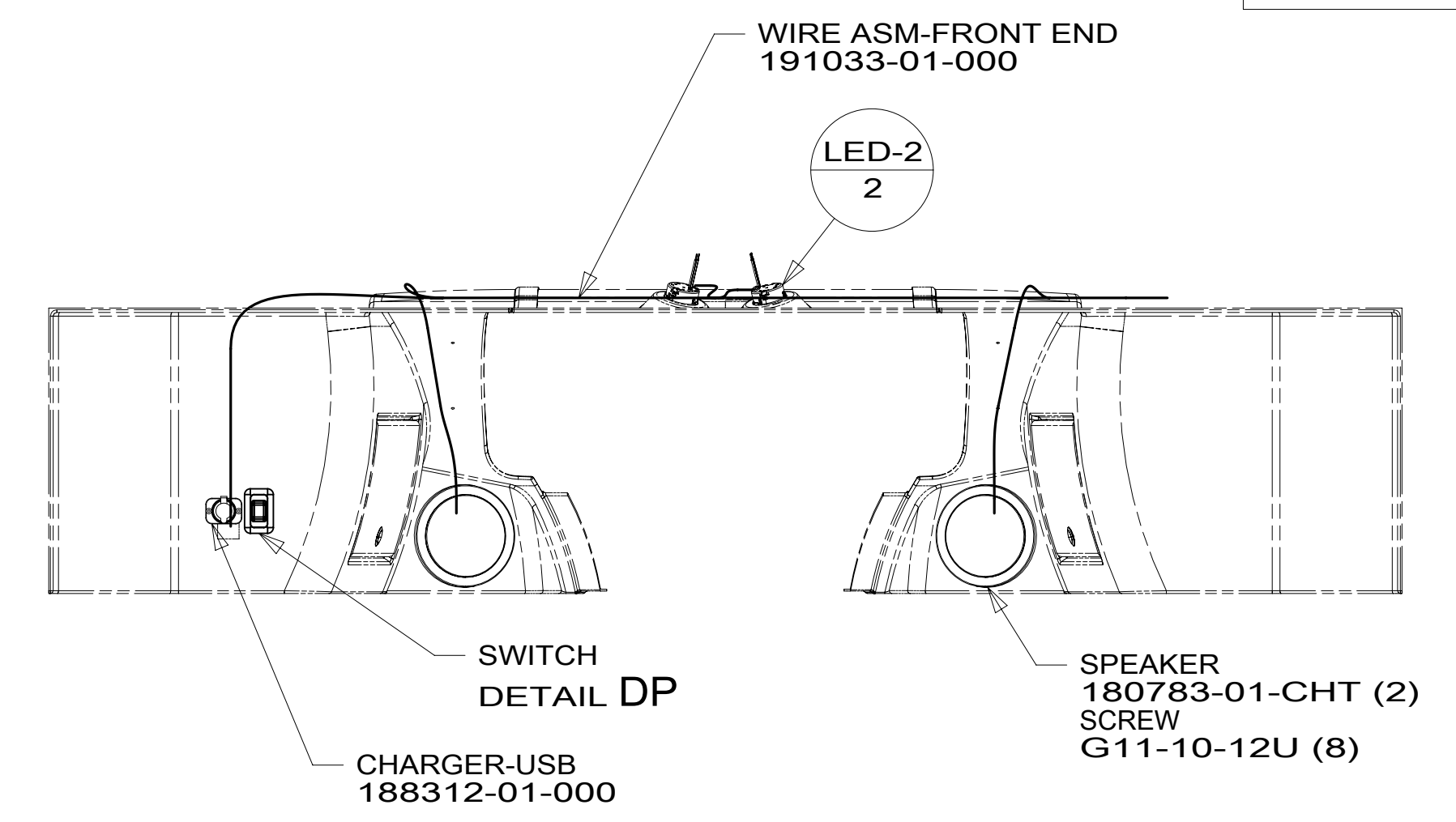
DETAIL EA

PLUG CONVERTER  
POWER CORD INTO  
CONVENIENCE RECPTACLE

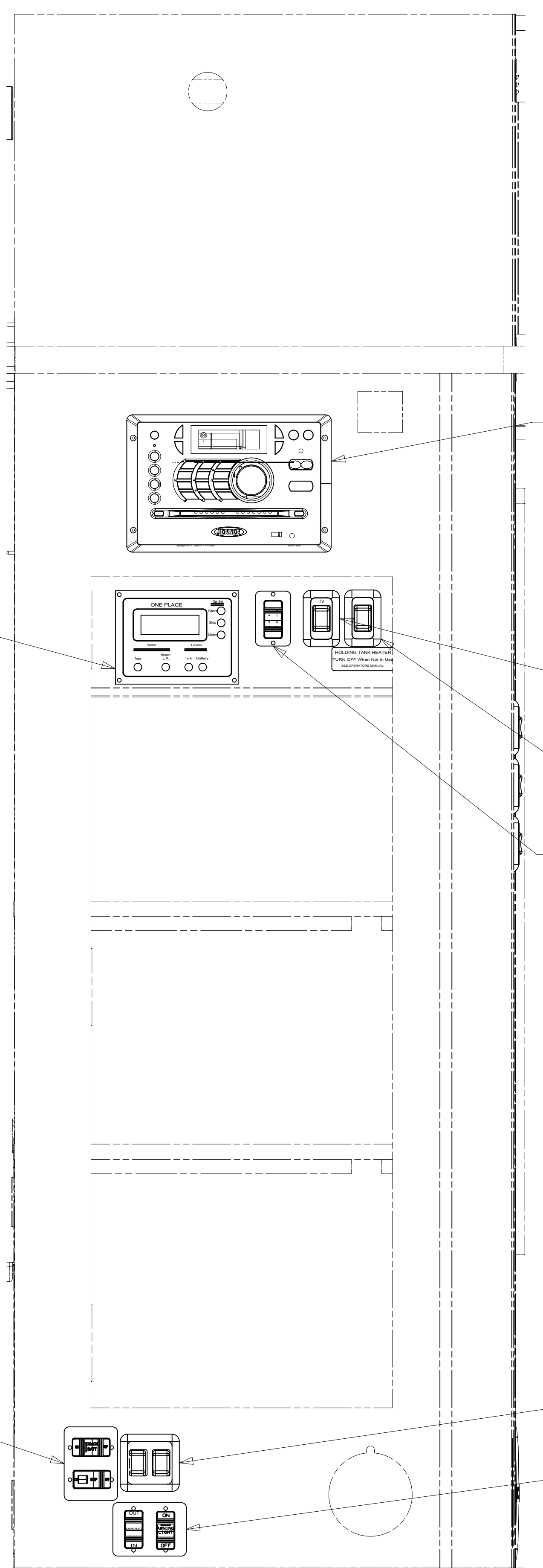
PANEL-MONITOR  
175724-04-000  
SCREW  
G11-08-08U (4)



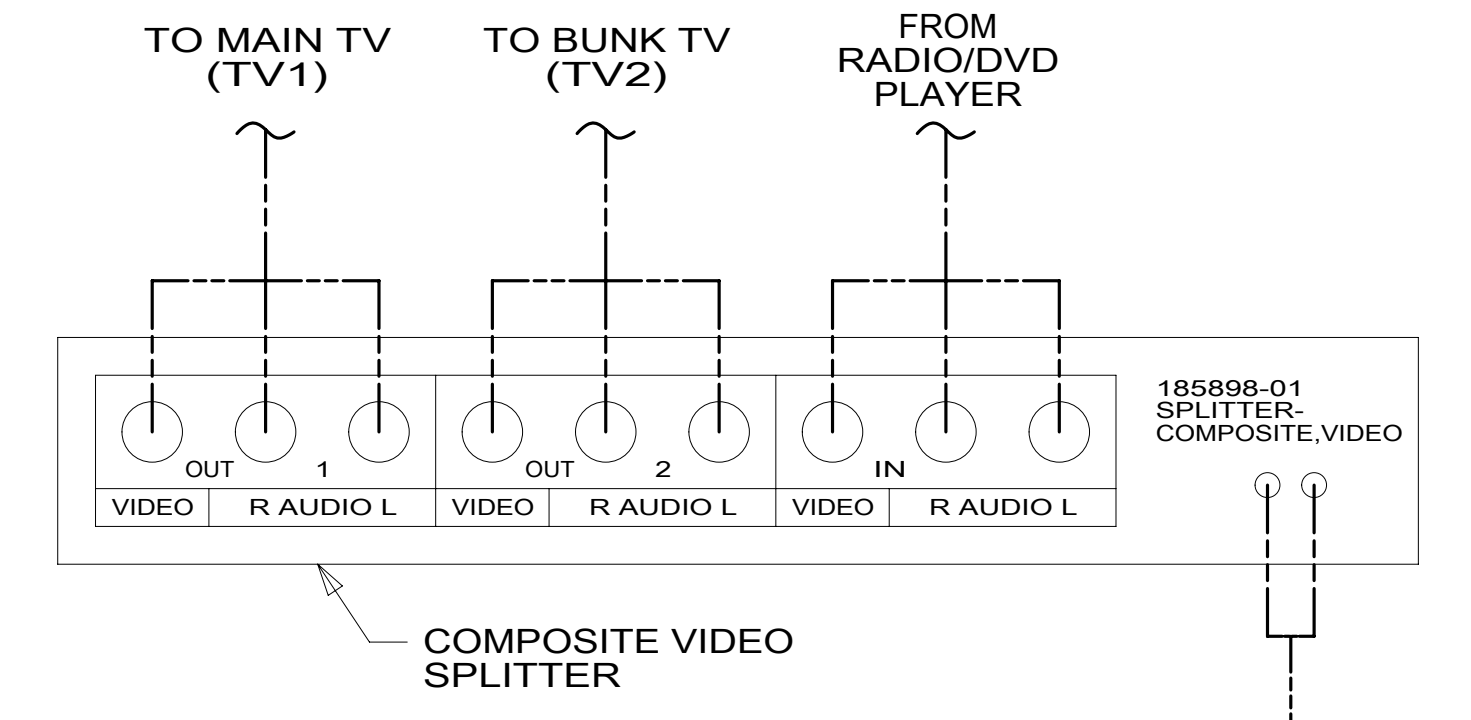
DETAIL EB 1E2



DETAIL ED



DETAIL EC



DETAIL EE 1MR

- NOTES:
- 5 CONNECT IN-LINE WITH RED AND WHITE AUDIO CABLES. WRAP BOTH ENDS WITH TAPE 8363-01-000 TO SECURE TO WIRE ASM.
  - 4 MOUNT MAGNET USING PILOT HOLES IN SCREEN DOOR FRAME. MOUNT WITH MAGNET TOWARD SWITCH.
  - 3 MOUNT SWITCH AND SPACER TO BLOCK ON JAMB. ADJUST HEIGHT TO MATCH MAGNET.
  - 2 CIRCUIT FROM WIRE ASM-COACH.
  - 1 CIRCUIT FROM WIRE ASM-CHASSIS.

FOR ELECTRICAL  
TORQUE  
SPECIFICATIONS  
SEE DWG NO.  
128783-01-000

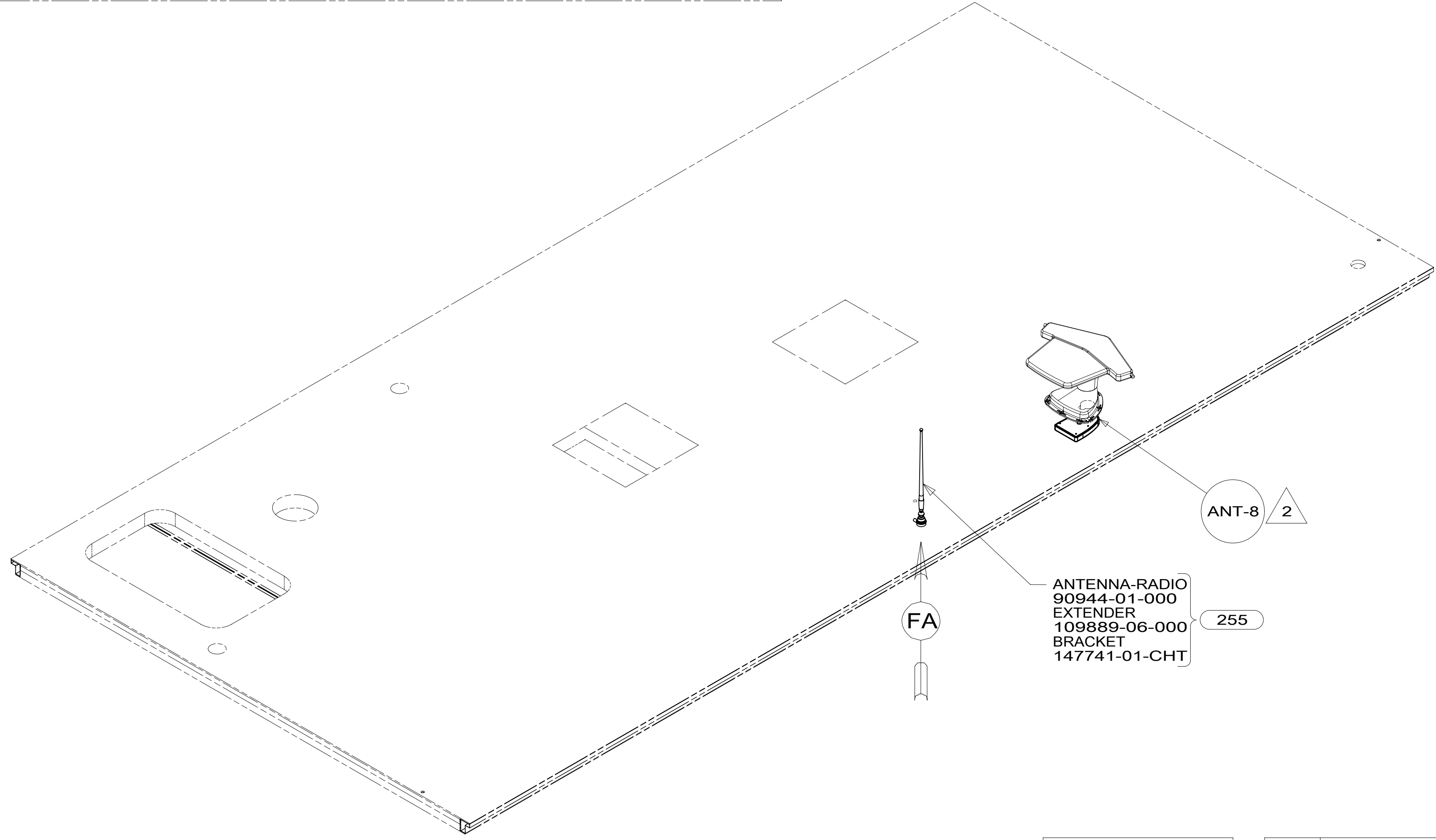
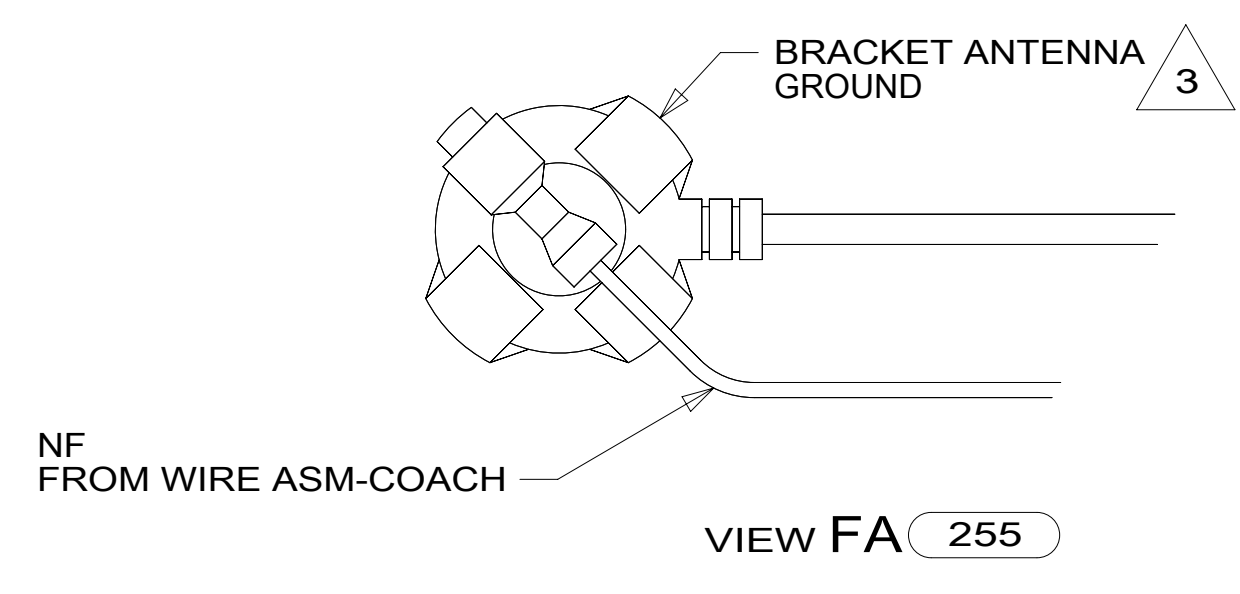
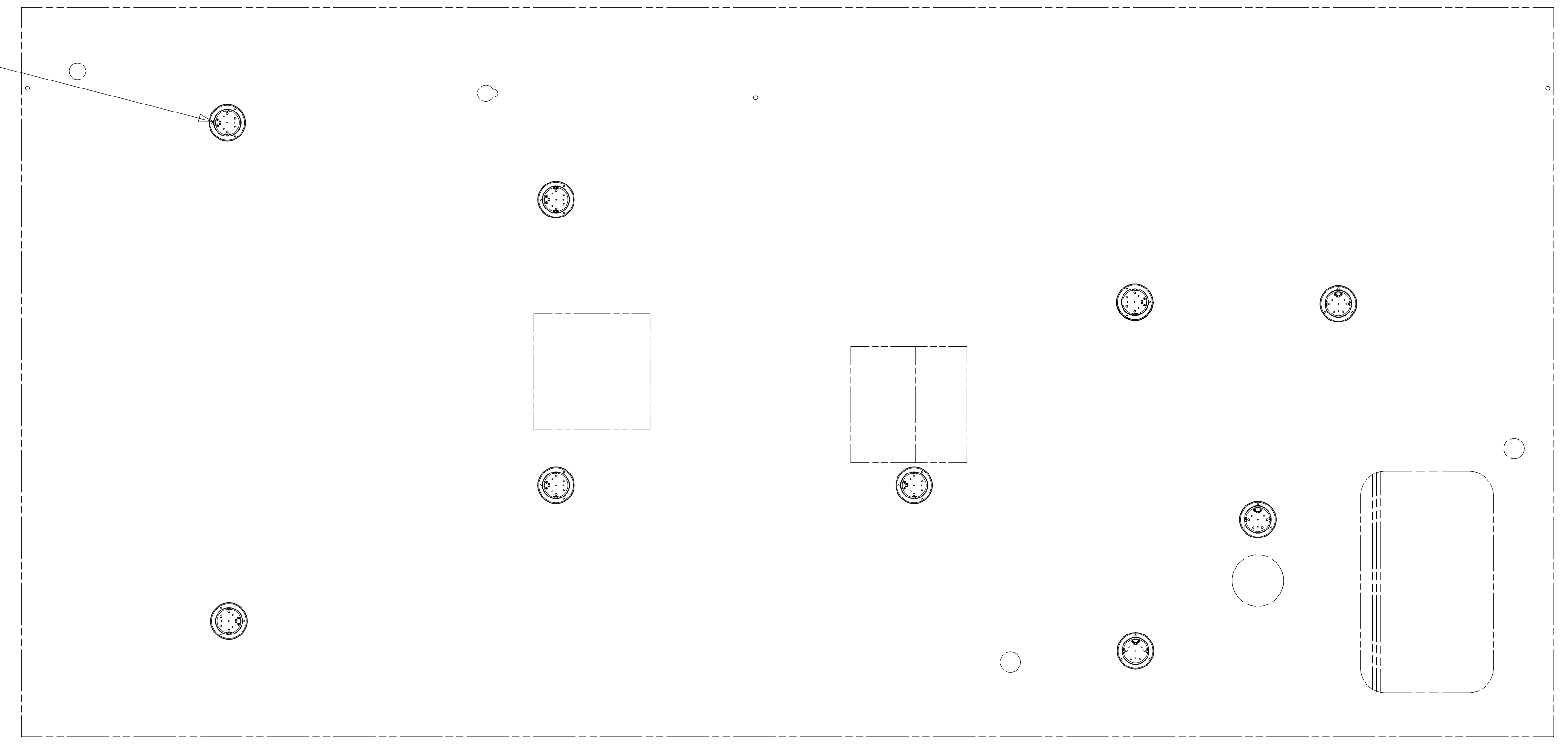
FOR  
ELECTRICAL  
CALLOUTS  
SEE DWG NO.  
121339-01-000

- 1MR TV(FRT)-19" DC LCD STEREO
- 45B LOFT BED
- 1E2 ENTRANCE STEP-ELEC.
- 265 CODES/STANDARDS-CSA/CMVSS
- 1B1 CODES/STANDARDS USA

|                                      |                       |     |
|--------------------------------------|-----------------------|-----|
| FIRST USED                           | <b>15 623L</b>        |     |
| DO NOT SCALE DRAWING                 |                       |     |
| TITLE: <b>WIRING INSTL-BODY, 12V</b> |                       |     |
| SHEET 5                              | PART NO <b>190482</b> | REV |
| 1 18-May-2015                        |                       |     |

\* 190482 \*

LED-4  
9



- NOTES:
- 3 WRAP BRACKET LEGS AROUND ANTENNA BASE.
  - 2 SEE ANTENNA INSTALLATION MANUAL FOR CORRECT INSTALLATION PROCEDURE.
  - 1. SEE ROOF ASM FOR ADDITIONAL INFORMATION.

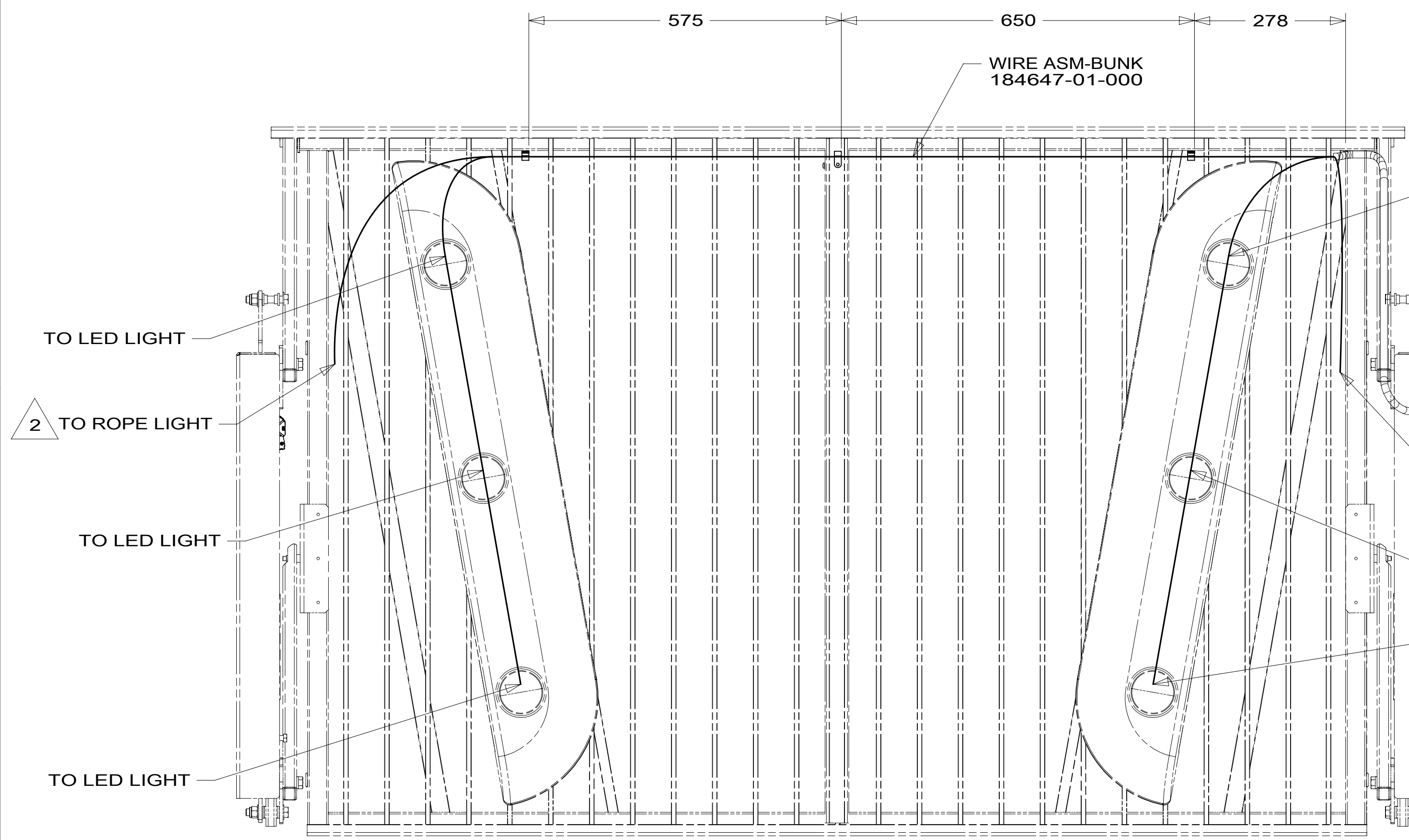
FOR ELECTRICAL TORQUE SPECIFICATIONS SEE DWG NO. 128783-01-000

FOR ELECTRICAL CALLOUTS SEE DWG NO. 121339-01-000

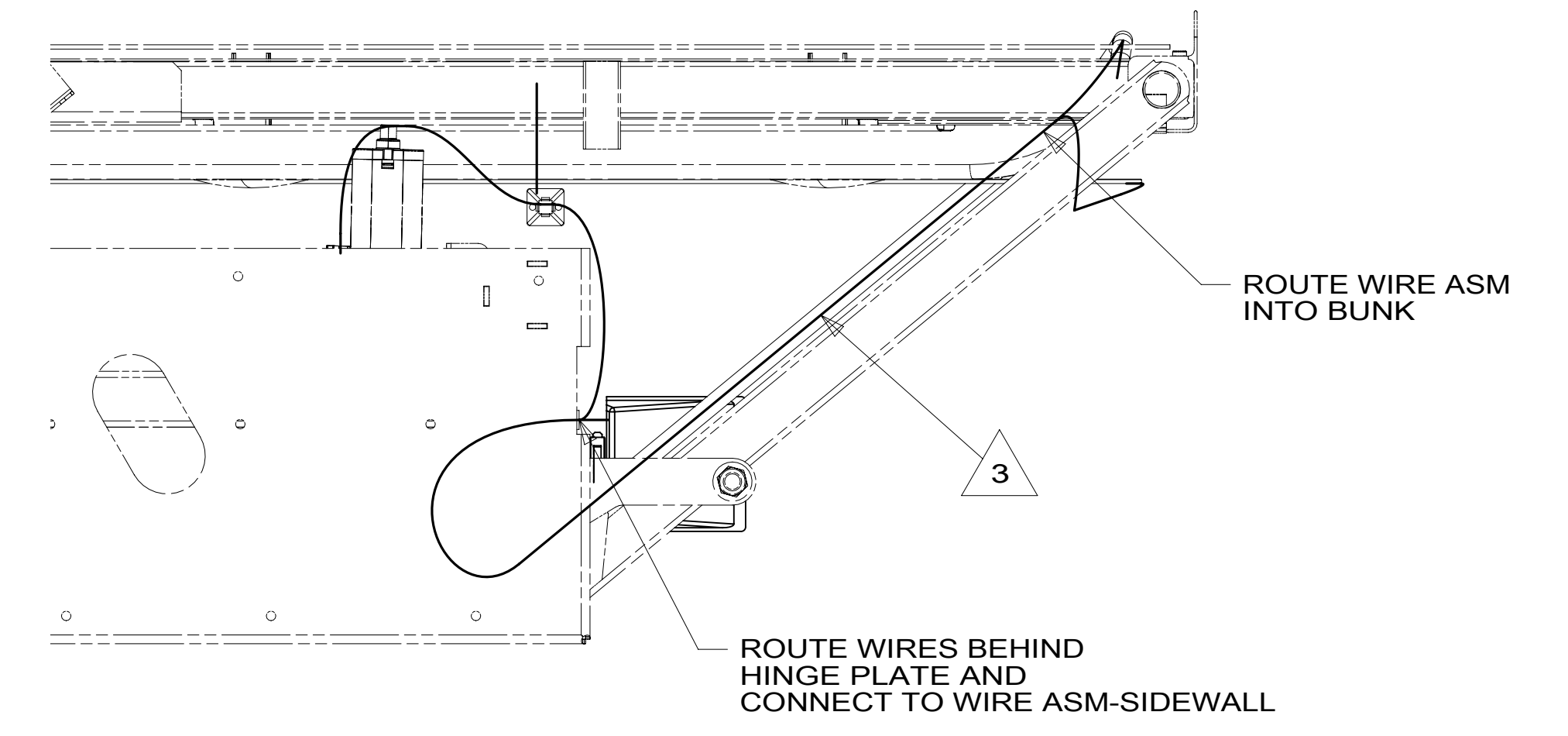
- 255 RADIO/AM/FM/CD/DVD, COACH
- 265 CODES/STANDARDS-CSA/CMVSS
- 1B1 CODES/STANDARDS USA

|            |                        |     |
|------------|------------------------|-----|
| FIRST USED | 15 623L                |     |
| TITLE:     | DO NOT SCALE DRAWING   |     |
|            | WIRING INSTL-BODY, 12V |     |
| SHEET 6    | PART NO 190482         | REV |

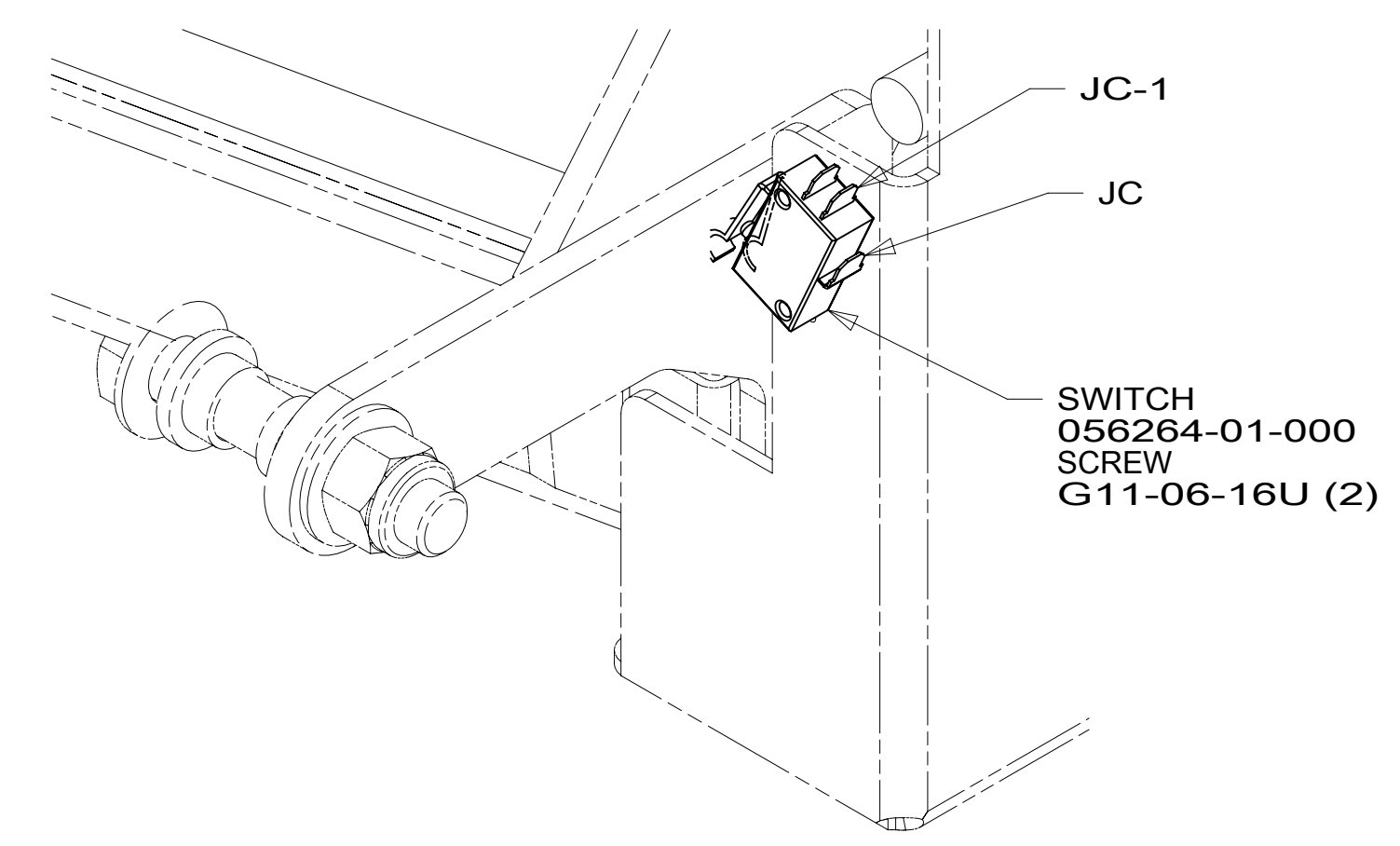
\* 190482 \*



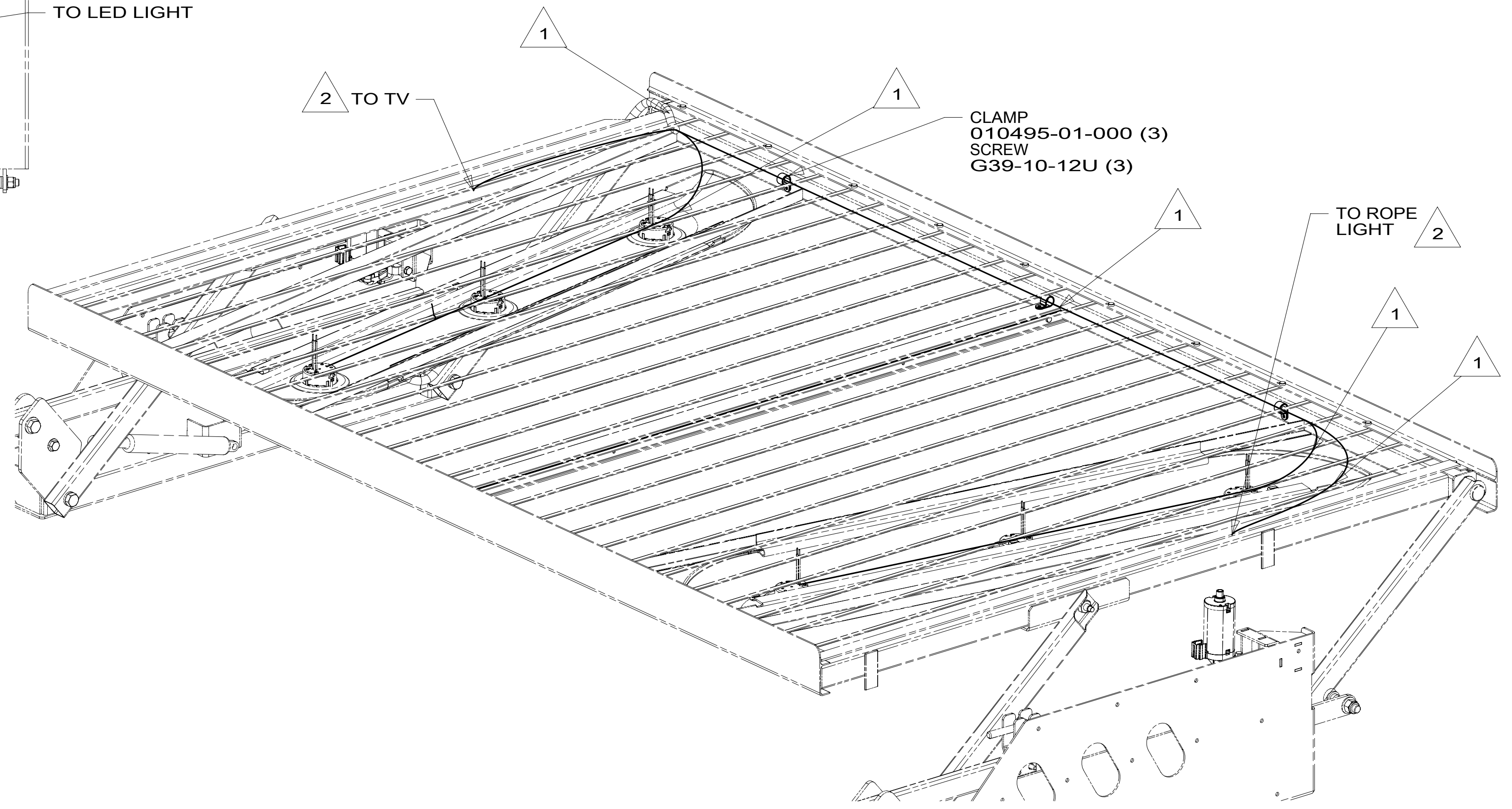
VIEW GA



VIEW GD



VIEW GB



VIEW GC

- NOTES:
- 3 SECURE WIRE ASSEMBLY TO TOP OF HINGE TUBE USING WIRE TIE 008343-02-000 (3 PLACES).
  - 2 ROUTE WIRES THROUGH BOTTOM OF BUNK INTO OVHD CABINET.
  - 1 ROUTE WIRES ABOVE TUBES/SUPPORTS TO ENSURE WIRES ARE NOT PINCHED.

- 45B LOFT BED
- 265 CODES/STANDARDS-CSA/CMVSS
- 1B1 CODES/STANDARDS USA

|                                      |                        |     |
|--------------------------------------|------------------------|-----|
| 1B1                                  | 265                    | 45B |
| FIRST USED                           |                        |     |
| <b>15 623L</b>                       |                        |     |
| DO NOT SCALE DRAWING                 |                        |     |
| TITLE: <b>WIRING INSTL-BODY, 12V</b> |                        |     |
| SHEET 7                              | PART NO. <b>190482</b> | REV |
| 1 18-May-2015                        |                        |     |

FOR ELECTRICAL TORQUE SPECIFICATIONS SEE DWG NO. 128783-01-000

FOR ELECTRICAL CALLOUTS SEE DWG NO. 121339-01-000

\*190482\*