



DANGER

Danger of electrical shock, burns or death. Always remove all power sources before attempting any repair, service or diagnostic work. Power can be present from shore power, generator, inverter or battery. All power sources must be disabled and secured before performing any service.

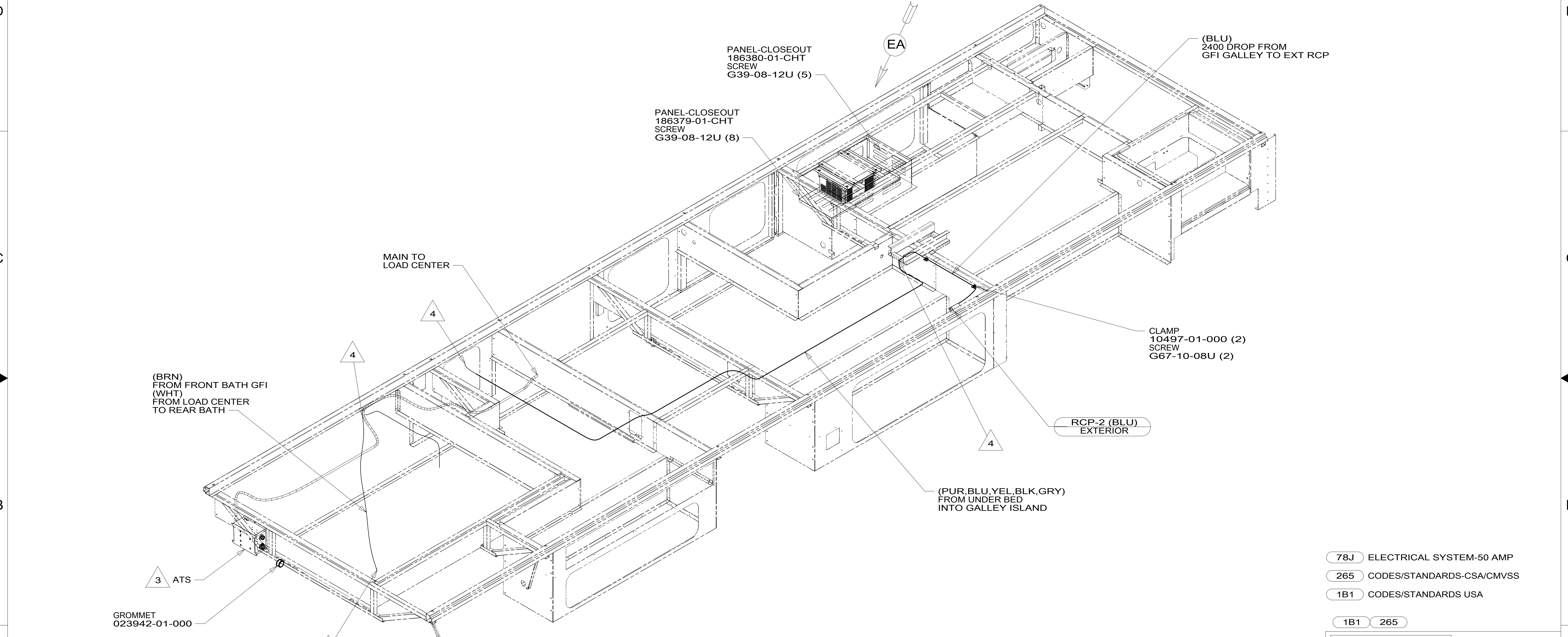


CAUTION

If you lack the skills, tools or equipment to perform diagnostic or repair work leave such work to an authorized Winnebago Industries dealer or other qualified shop.

DRAWING NO.	FEATURE
190258-12	1B1 78J
190258-16	265 78J

RELEASE	REV/DATE	DWG NO	190258
REV ZONE	REVISION RECORD	DATE	DFT-ORIG



- 78J ELECTRICAL SYSTEM-50 AMP
- 265 CODES/STANDARDS-CSA/CMVSS
- 1B1 CODES/STANDARDS USA
- 1B1 265

WINNEBAGO COPYRIGHT 2014 WINNEBAGO INDUSTRIES, INC.

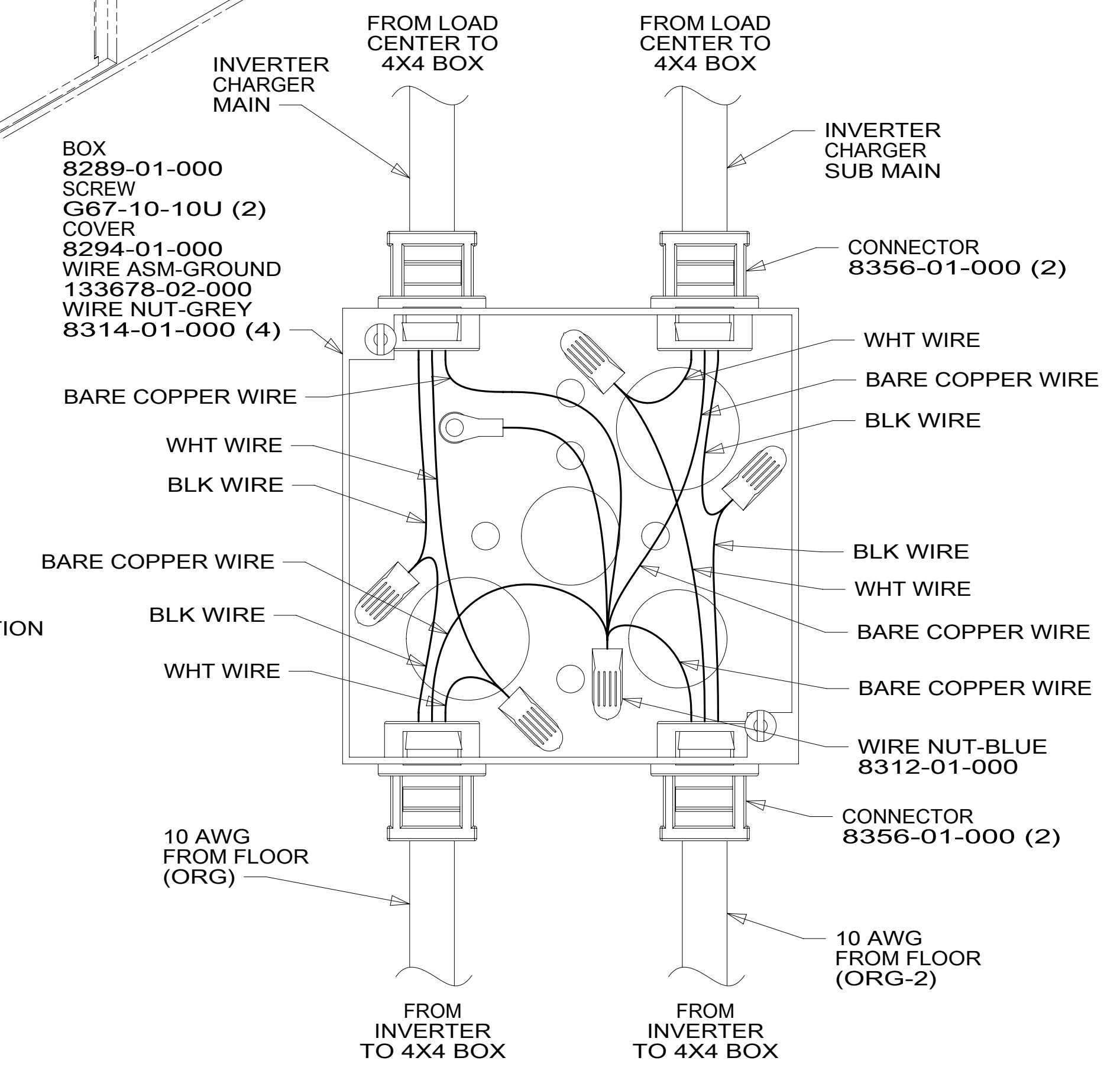
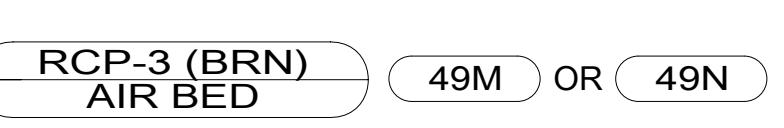
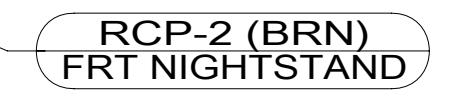
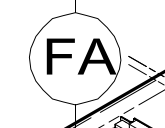
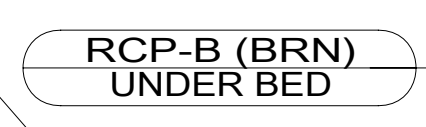
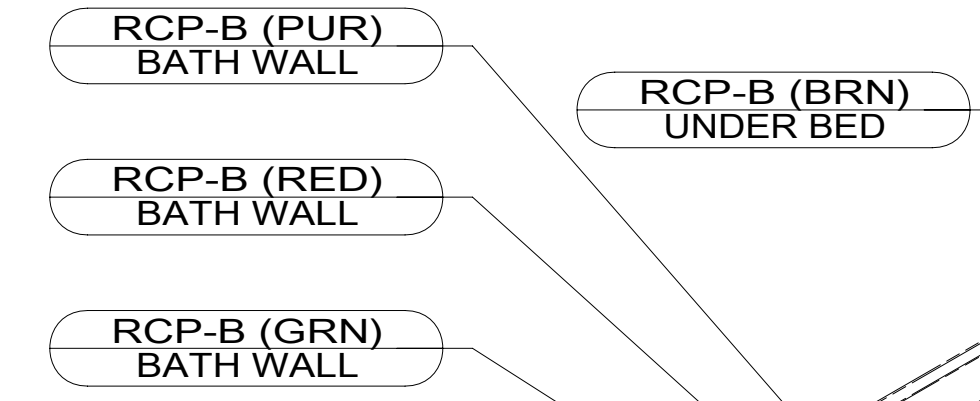
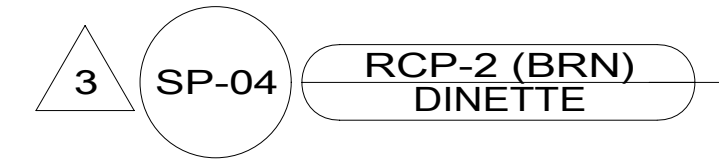
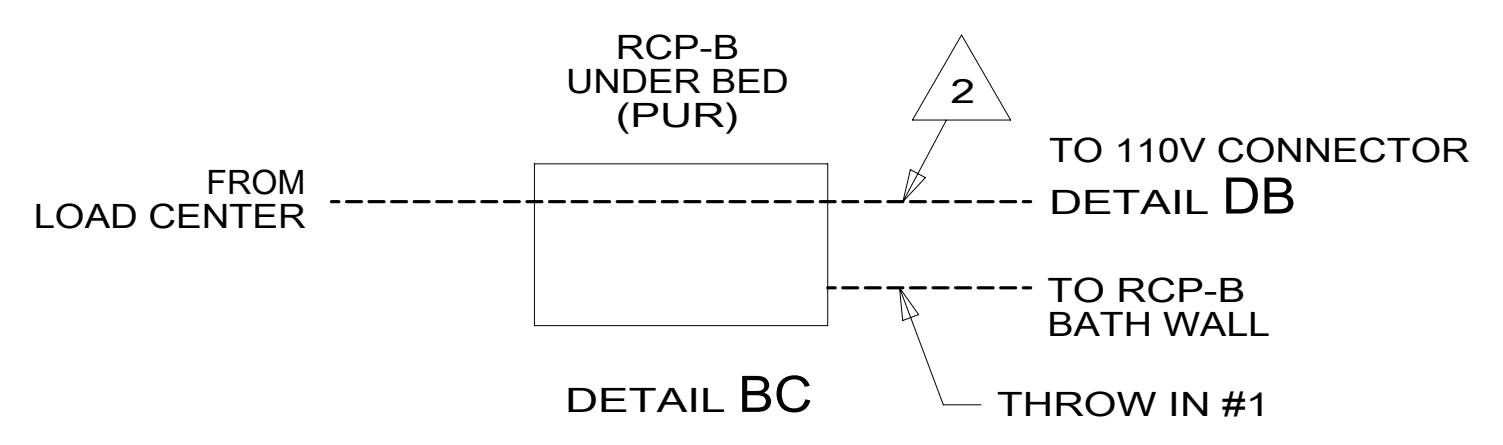
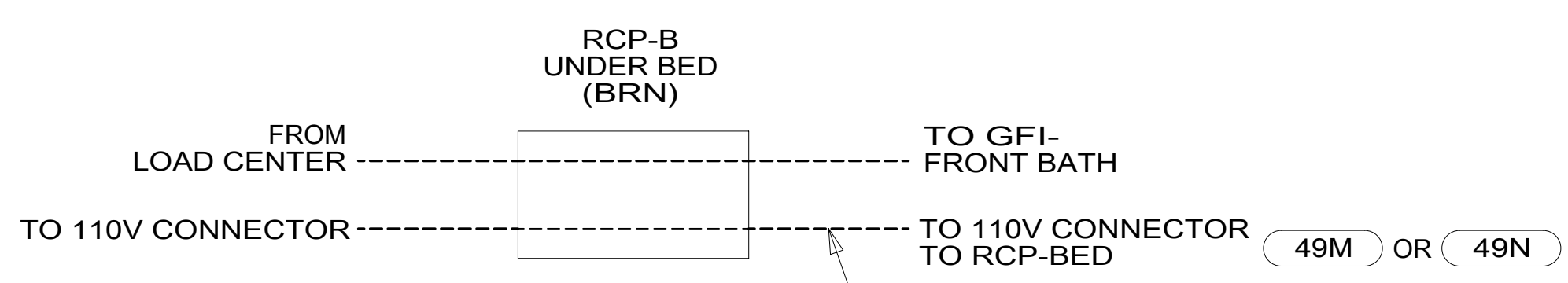
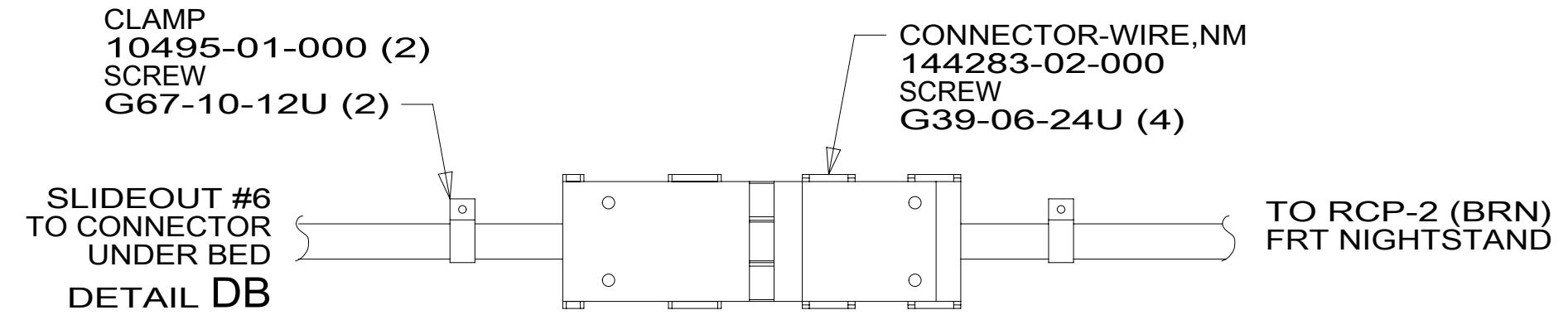
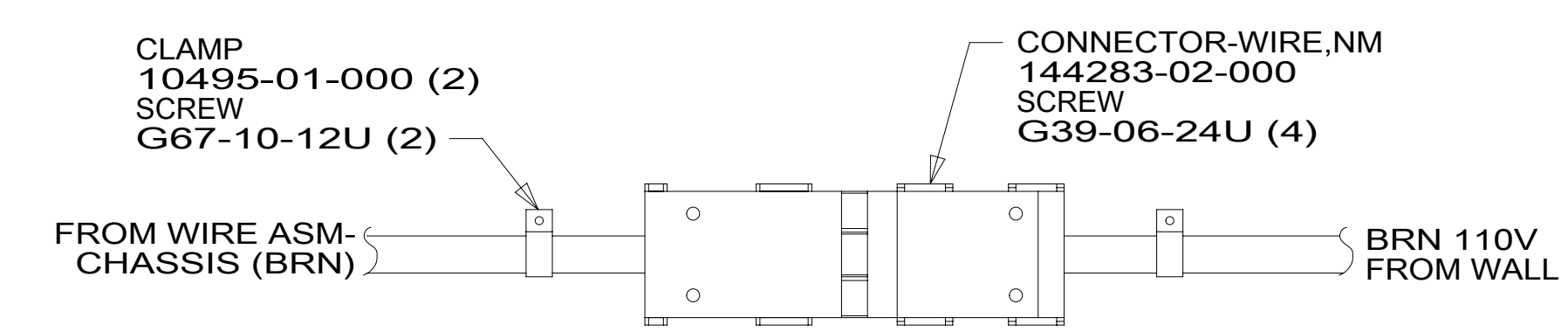
DFT-ORIG	ORIG. DATE
CHKR	ALL DIMENSIONS ARE IN MILLIMETERS
P.E.	FIRST USED
M.E.	15 D36Z
DSNR	MATERIAL:
UNSPECIFIED TOLERANCES ARE:	
WHOLE DIM (X)	: 3
ONE-PLACE (X.X)	: 1.5
TWO-PLACE (X.XX)	: 0.50
ANGLE	: 1°
THIRD ANGLE PROJECTION	
DO NOT SCALE DRAWING	REFER TO ES0018 FOR FASTENER TIGHTENING GUIDELINES
TITLE: WIRING INSTL-BODY, 110V	
SHEET 1 OF 7	PART NO 190258 REV
REF:	1 28-Jan-2015

- NOTES:
- 4 WIRE ROUTED THROUGH FLOOR IN THIS AREA.
 - 3 SEE LOAD CENTER/ATS ASM FOR ADDITIONAL INFORMATION.
 - 2. WIRES ROUTED UNDER FLOOR.
 - 1. AT MINIMUM ALL WIRES TO BE SUPPORTED AND SECURED PER CODE REQUIREMENTS. USE CLAMP 10495 OR 10497 OR WIRE TIE 8343 OR 108046 AND SCREW G67-XX-XXX OR G56-XX-XXX AS APPROPRIATE FOR INSTALLATION.

FOR ELECTRICAL TORQUE SPECIFICATIONS SEE DWG NO. 128783-01-000

FOR ELECTRICAL CALLOUTS SEE DWG NO. 121339-01-000

190258



DETAIL BE

- 49M AIR SLEEP SYSTEM-QUEEN SIZE
- 49N AIR SLEEP SYSTEM - KING SIZE
- 265 CODES/STANDARDS-CSA/CMVSS
- 1B1 CODES/STANDARDS USA

- 1B1 265

FIRST USED	
15 D36Z	
DO NOT SCALE DRAWING	
TITLE: WIRING INSTL-BODY, 110V	
SHEET 2	PART NO 190258 REV

FOR ELECTRICAL TORQUE SPECIFICATIONS SEE DWG NO. 128783-01-000

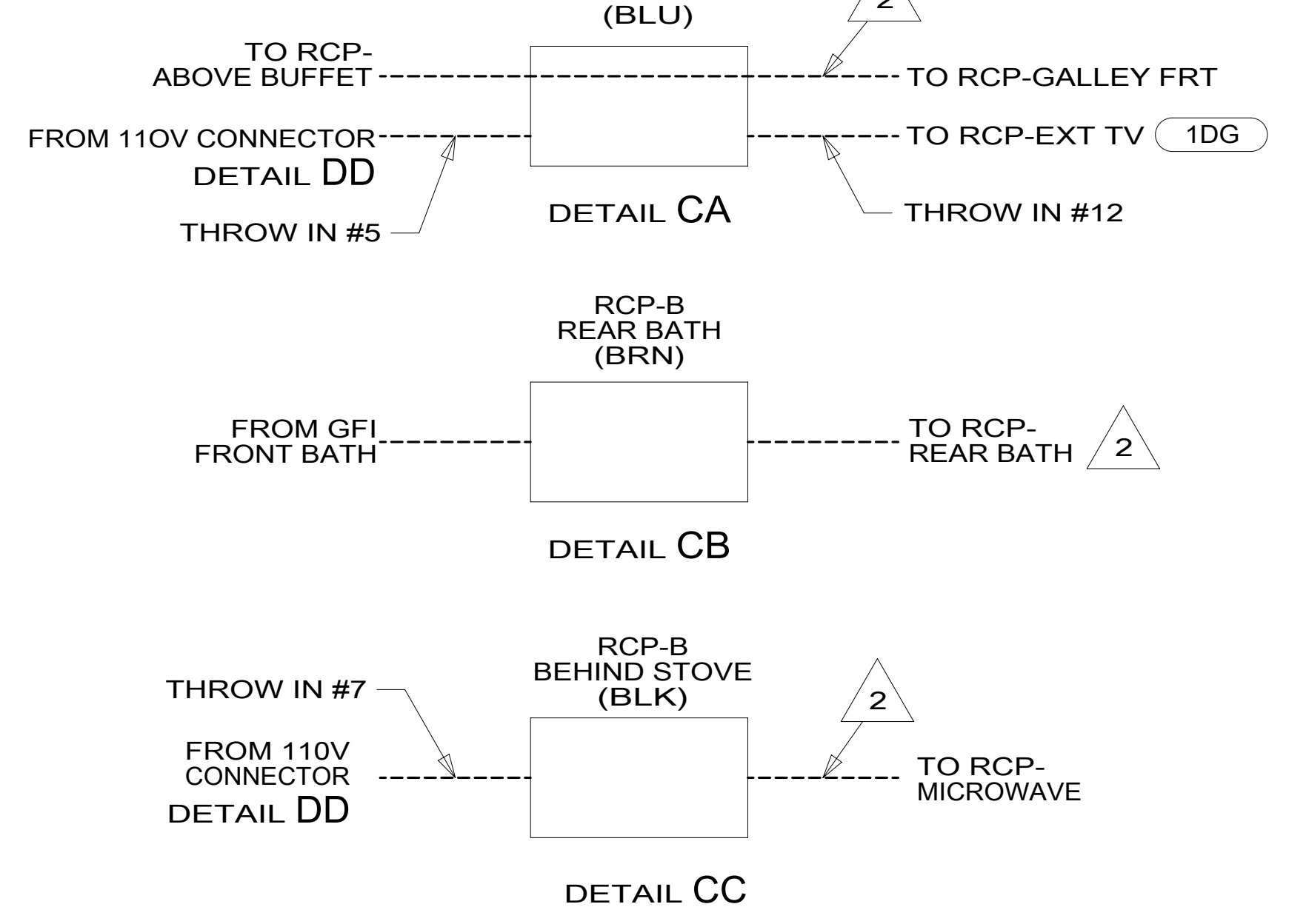
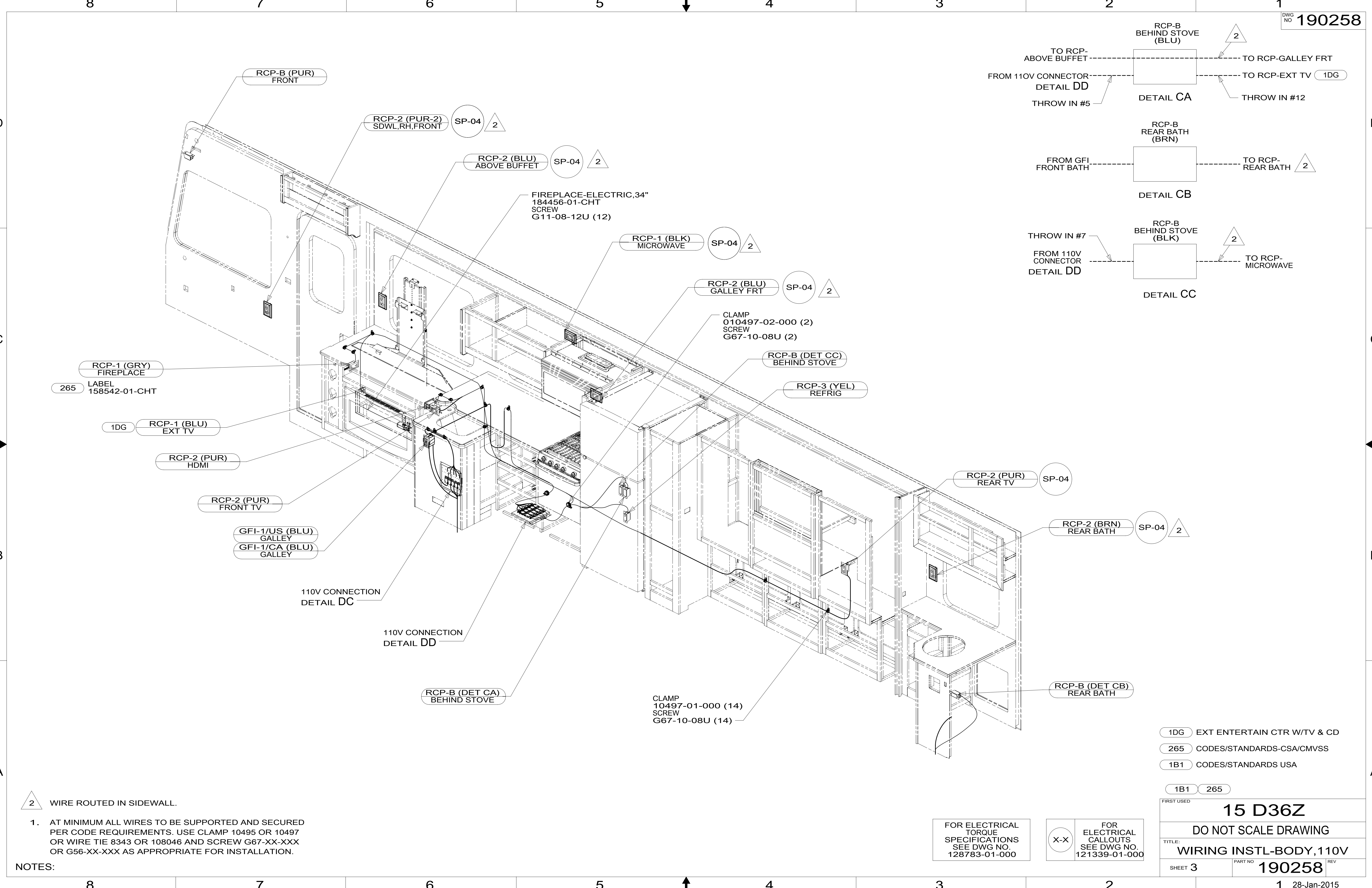
FOR ELECTRICAL CALLOUTS SEE DWG NO. 121339-01-000

- 3 WIRE ROUTED IN SIDEWALL.
- 2 WIRE ROUTED UNDER FLOOR.

1. AT MINIMUM ALL WIRES TO BE SUPPORTED AND SECURED PER CODE REQUIREMENTS. USE CLAMP 10495 OR 10497 OR WIRE TIE 8343 OR 108046 AND SCREW G67-XX-XXX OR G56-XX-XXX AS APPROPRIATE FOR INSTALLATION.

NOTES:

*190258 *A



- 2 WIRE ROUTED IN SIDEWALL.
1. AT MINIMUM ALL WIRES TO BE SUPPORTED AND SECURED PER CODE REQUIREMENTS. USE CLAMP 10495 OR 10497 OR WIRE TIE 8343 OR 108046 AND SCREW G67-XX-XXX OR G56-XX-XXX AS APPROPRIATE FOR INSTALLATION.

NOTES:

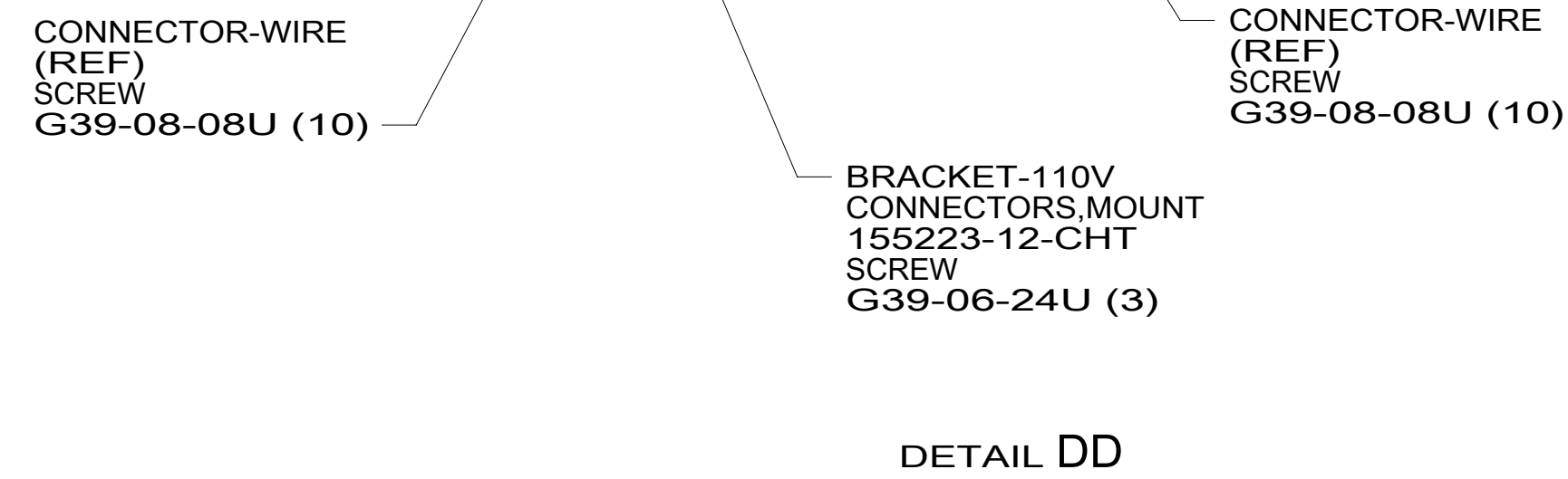
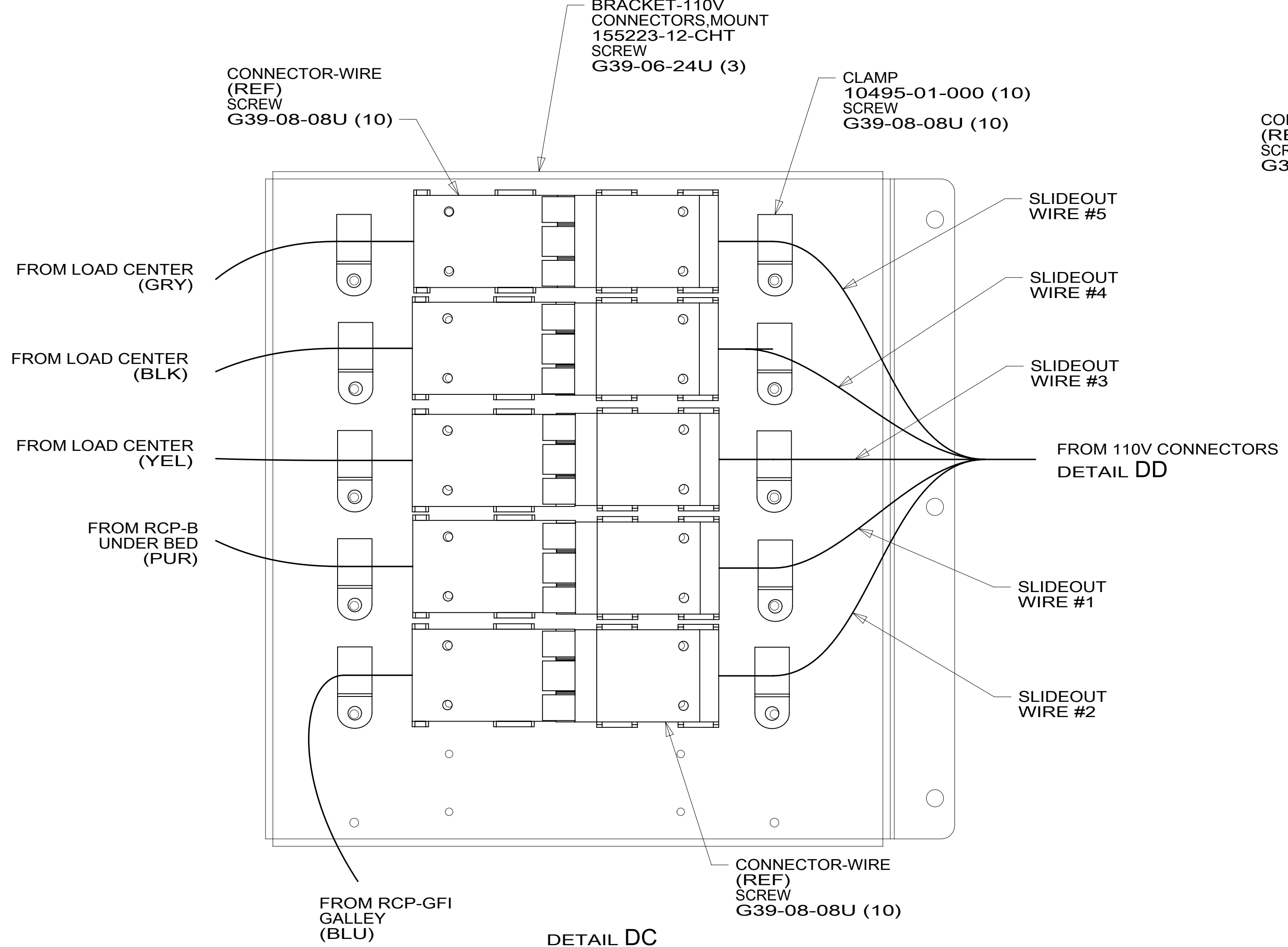
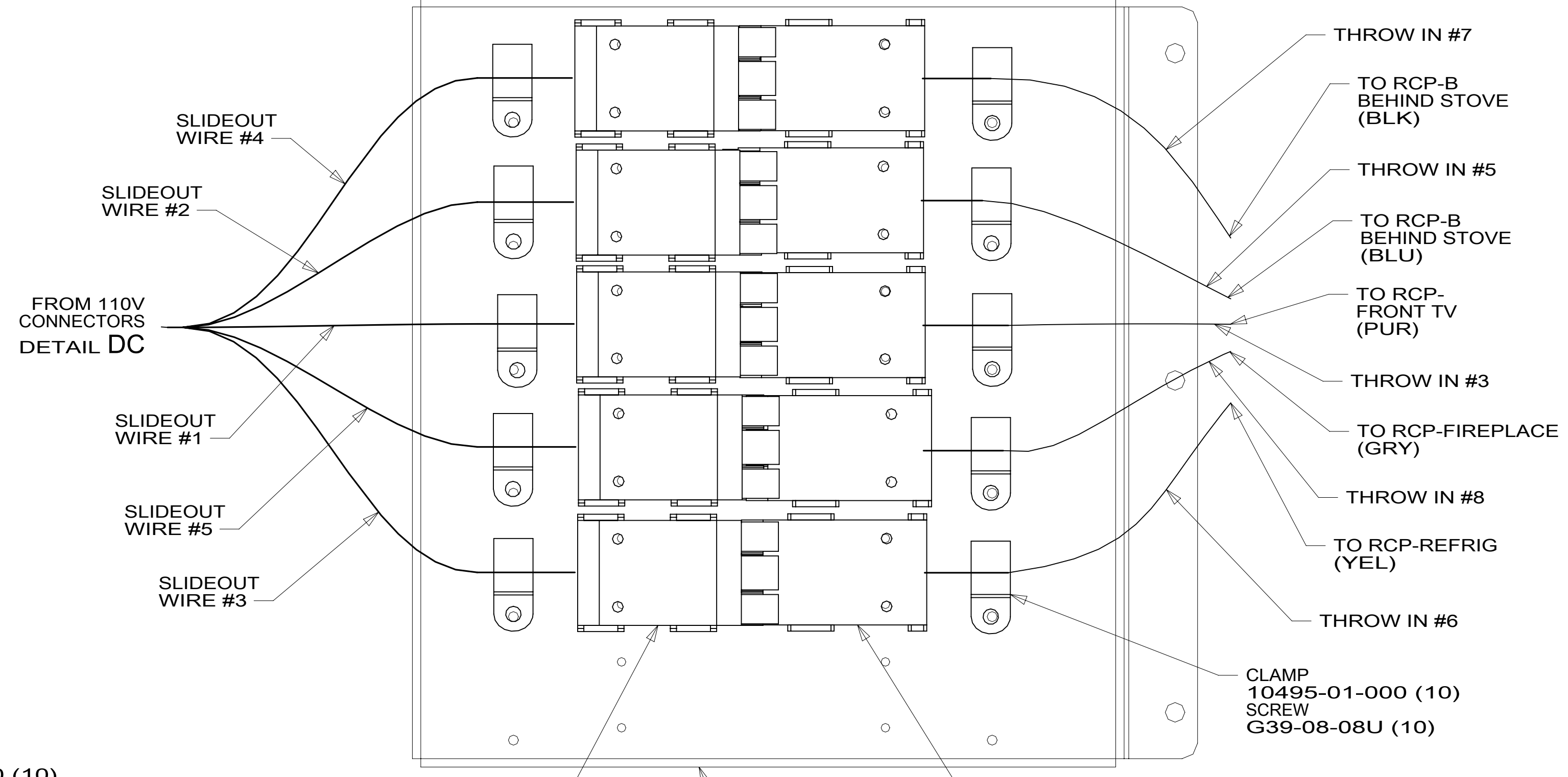
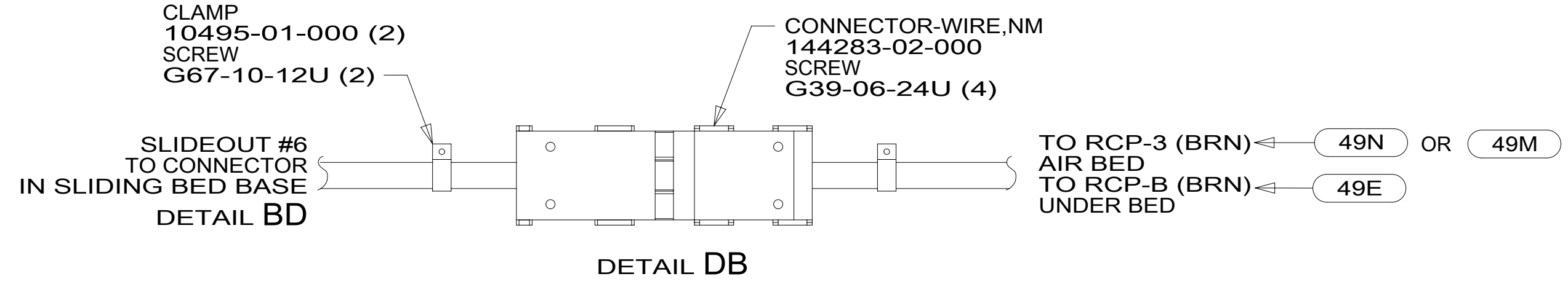
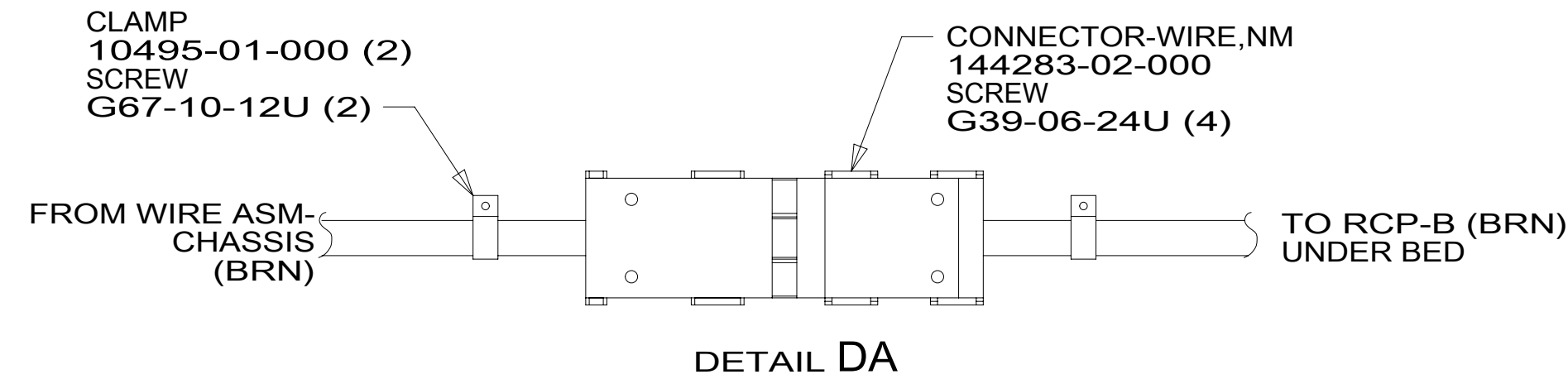
FOR ELECTRICAL TORQUE SPECIFICATIONS SEE DWG NO. 128783-01-000

FOR ELECTRICAL CALLOUTS SEE DWG NO. 121339-01-000

- 1DG EXT ENTERTAIN CTR W/TV & CD
- 265 CODES/STANDARDS-CSA/CMVSS
- 1B1 CODES/STANDARDS USA

FIRST USED	
15 D36Z	
DO NOT SCALE DRAWING	
WIRING INSTL-BODY, 110V	
SHEET 3	PART NO 190258 REV
1 28-Jan-2015	

190258



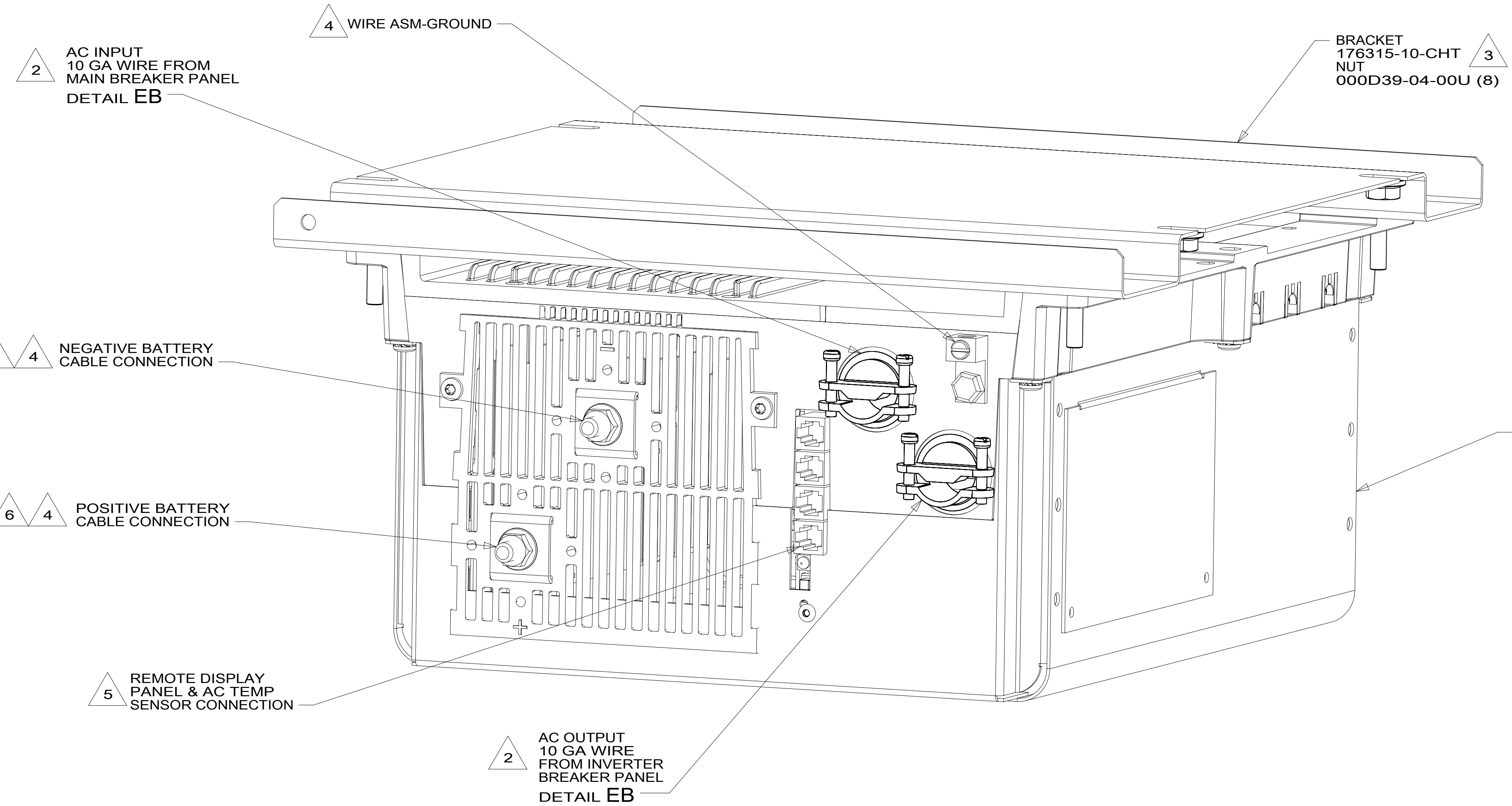
- 49N AIR SLEEP SYSTEM - KING SIZE
- 49M AIR SLEEP SYSTEM-QUEEN SIZE
- 49E MATTRESS, INNERSPRING
- 265 CODES/STANDARDS-CSA/CMVSS
- 1B1 CODES/STANDARDS USA

FIRST USED		15 D36Z	
DO NOT SCALE DRAWING			
TITLE: WIRING INSTL-BODY, 110V			
SHEET 4	PART NO	190258	REV

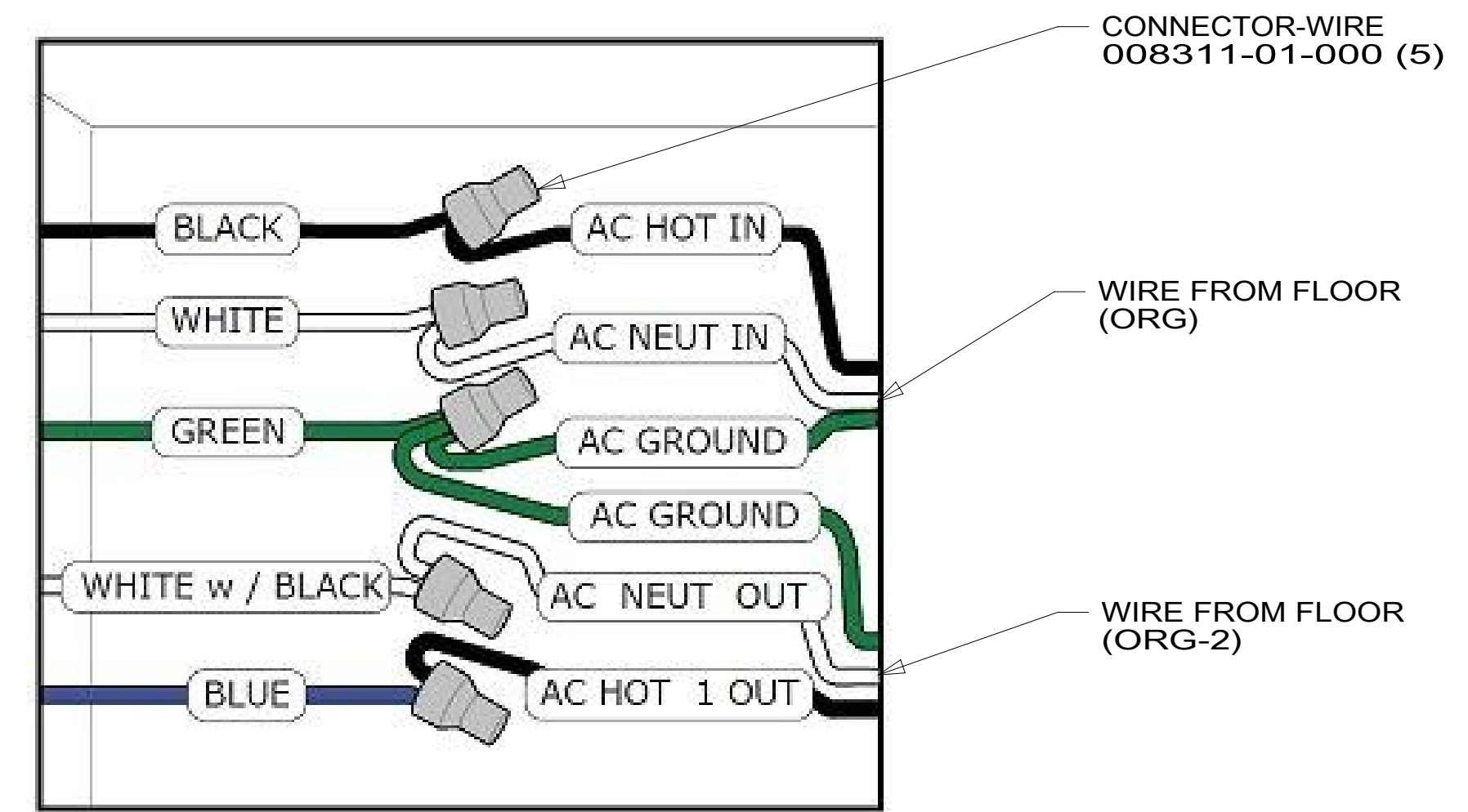
FOR ELECTRICAL TORQUE SPECIFICATIONS SEE DWG NO. 128783-01-000

FOR ELECTRICAL CALLOUTS SEE DWG NO. 121339-01-000

190258



DETAIL EA



DETAIL EB

- 6 DO NOT USE POWER/AIR TOOL IN INSTALL NUT. TORQUE TO 10-12 FT LBS.
- 5 CABLES PART OF WIR ASM-CHASSIS.
- 4 SEE BATTERY INSTL FOR ADDITIONAL INFORMATION.
- 3 BRACKET IS LOCATED BY HOLES ON BRACKET.
- 2 SEE LOAD CENTER/ATS ASM FOR ADDITIONAL INFORMATION.

1. SEE INVERTER/CHARGER OWNER'S MANUAL FOR ADDITIONAL INFORMATION.

NOTES:

- 265 CODES/STANDARDS-CSA/CMVSS
- 1B1 CODES/STANDARDS USA

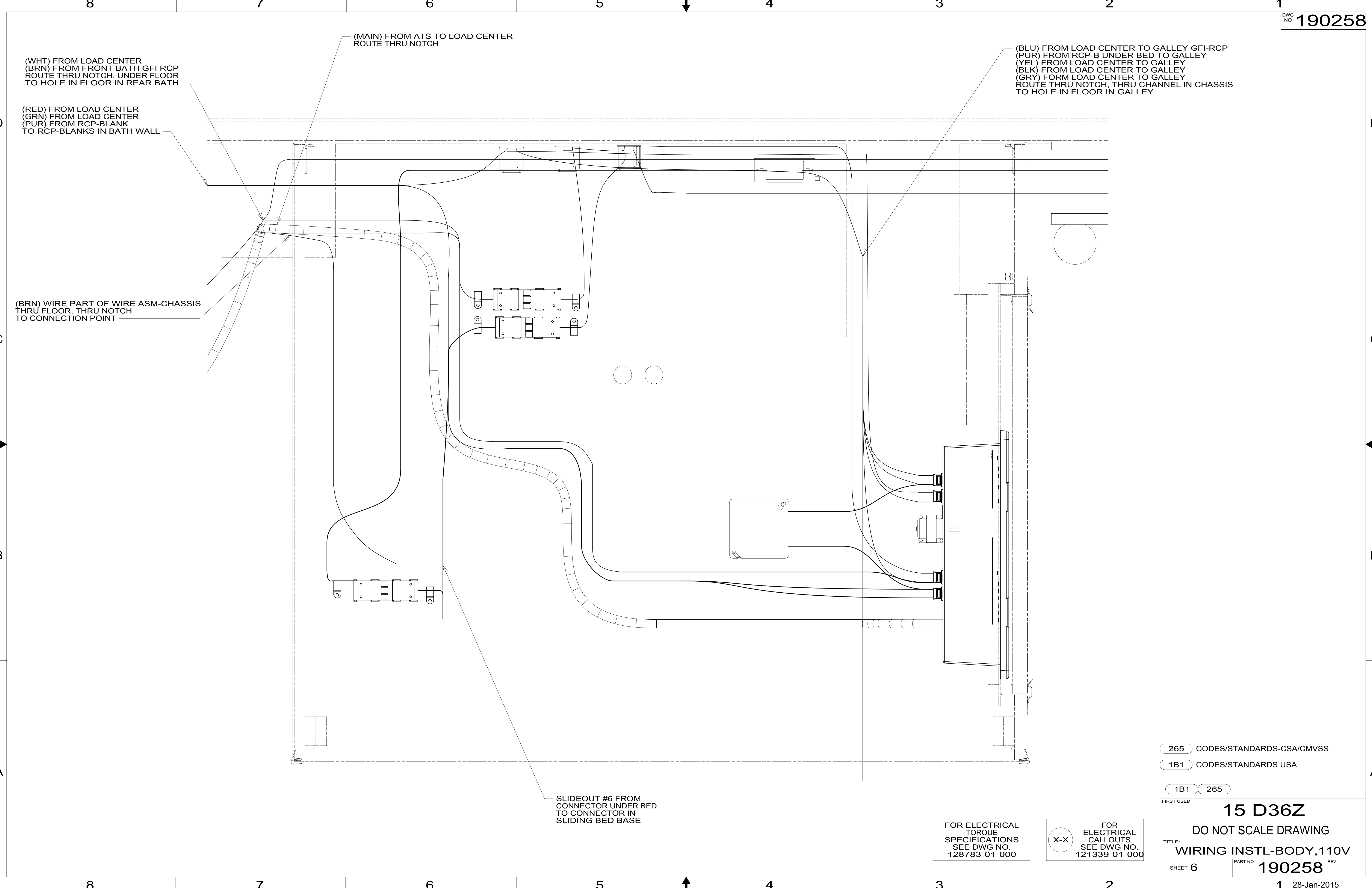
1B1 265

FIRST USED	
15 D36Z	
DO NOT SCALE DRAWING	
TITLE: WIRING INSTL-BODY, 110V	
SHEET 5	PART NO 190258 REV

FOR ELECTRICAL
TORQUE
SPECIFICATIONS
SEE DWG NO.
128783-01-000

X-X
FOR
ELECTRICAL
CALLOUTS
SEE DWG NO.
121339-01-000

190258



(WHT) FROM LOAD CENTER
 (BRN) FROM FRONT BATH GFI RCP
 ROUTE THRU NOTCH, UNDER FLOOR
 TO HOLE IN FLOOR IN REAR BATH

(RED) FROM LOAD CENTER
 (GRN) FROM LOAD CENTER
 (PUR) FROM RCP-BLANK
 TO RCP-BLANKS IN BATH WALL

(BRN) WIRE PART OF WIRE ASM-CHASSIS
 THRU FLOOR, THRU NOTCH
 TO CONNECTION POINT

(MAIN) FROM ATS TO LOAD CENTER
 ROUTE THRU NOTCH

(BLU) FROM LOAD CENTER TO GALLEY GFI-RCP
 (PUR) FROM RCP-B UNDER BED TO GALLEY
 (YEL) FROM LOAD CENTER TO GALLEY
 (BLK) FROM LOAD CENTER TO GALLEY
 (GRY) FORM LOAD CENTER TO GALLEY
 ROUTE THRU NOTCH, THRU CHANNEL IN CHASSIS
 TO HOLE IN FLOOR IN GALLEY

SLIDEOUT #6 FROM
 CONNECTOR UNDER BED
 TO CONNECTOR IN
 SLIDING BED BASE

265 CODES/STANDARDS-CSA/CMVSS

1B1 CODES/STANDARDS USA

1B1 265

FIRST USED
15 D36Z

DO NOT SCALE DRAWING

TITLE:
WIRING INSTL-BODY, 110V

SHEET 6 PART NO **190258** REV

FOR ELECTRICAL
 TORQUE
 SPECIFICATIONS
 SEE DWG NO.
 128783-01-000

X-X
 FOR
 ELECTRICAL
 CALLOUTS
 SEE DWG NO.
 121339-01-000

190258

