



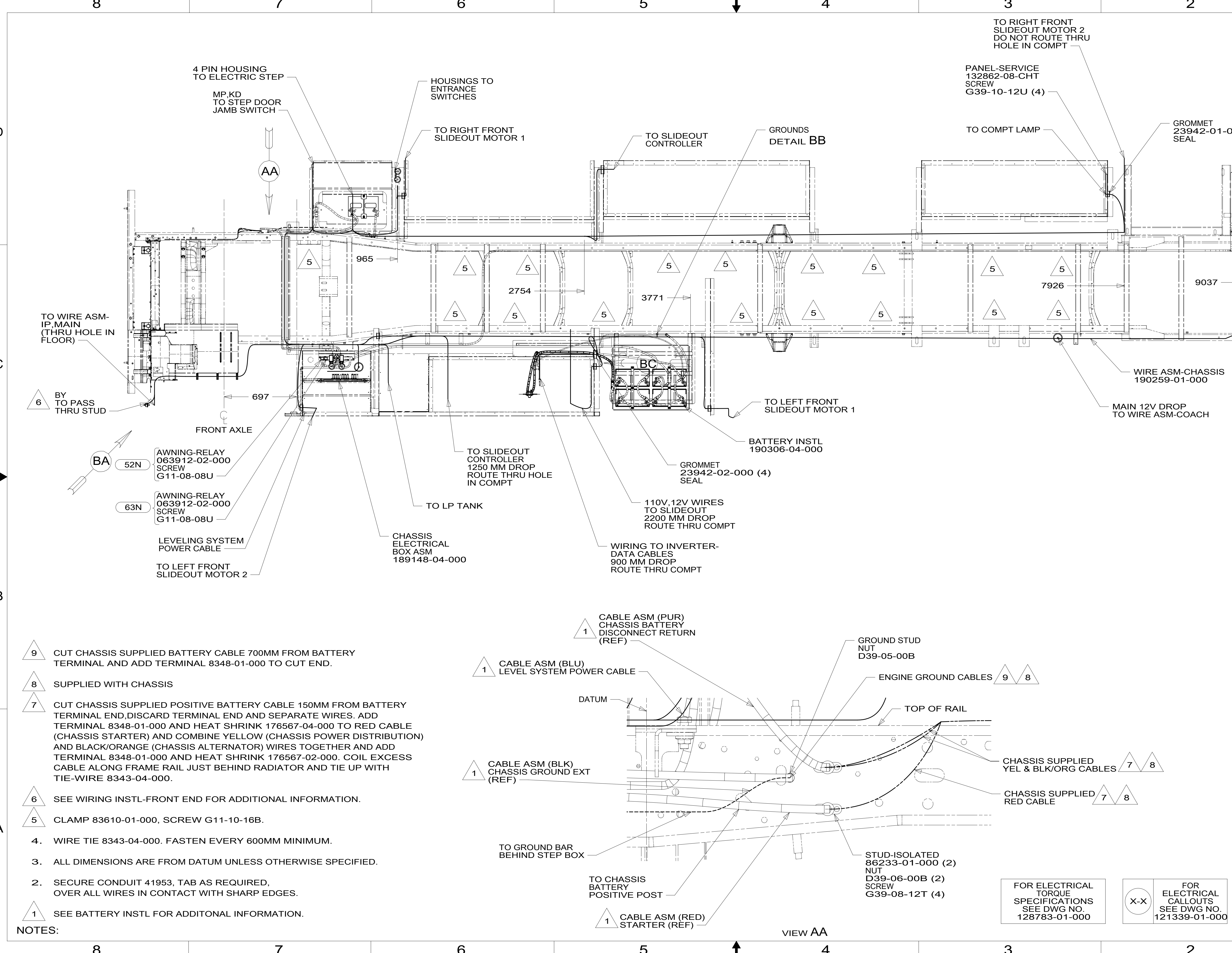
DANGER

Danger of electrical shock, burns or death. Always remove all power sources before attempting any repair, service or diagnostic work. Power can be present from shore power, generator, inverter or battery. All power sources must be disabled and secured before performing any service.

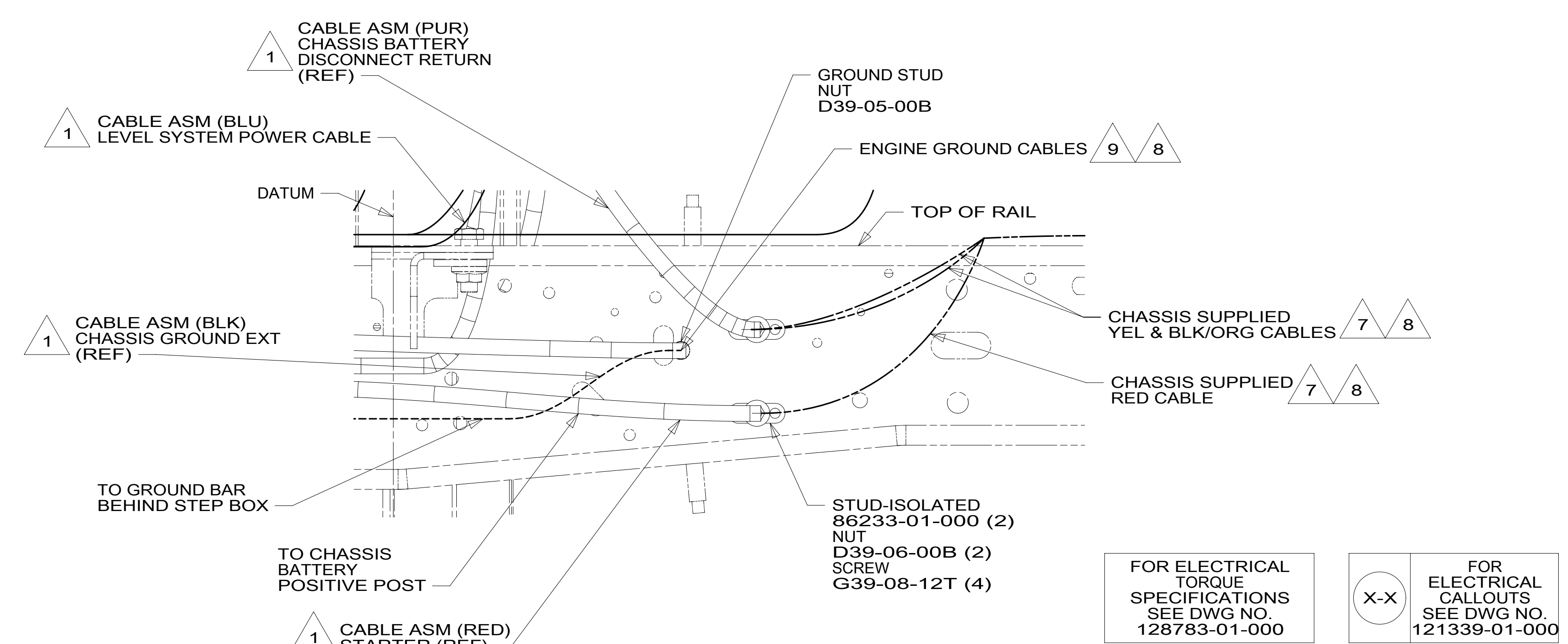


CAUTION

If you lack the skills, tools or equipment to perform diagnostic or repair work leave such work to an authorized Winnebago Industries dealer or other qualified shop.



- NOTES:
- 9 CUT CHASSIS SUPPLIED BATTERY CABLE 700MM FROM BATTERY TERMINAL AND ADD TERMINAL 8348-01-000 TO CUT END.
 - 8 SUPPLIED WITH CHASSIS
 - 7 CUT CHASSIS SUPPLIED POSITIVE BATTERY CABLE 150MM FROM BATTERY TERMINAL END, DISCARD TERMINAL END AND SEPARATE WIRES. ADD TERMINAL 8348-01-000 AND HEAT SHRINK 176567-04-000 TO RED CABLE (CHASSIS STARTER) AND COMBINE YELLOW (CHASSIS POWER DISTRIBUTION) AND BLACK/ORANGE (CHASSIS ALTERNATOR) WIRES TOGETHER AND ADD TERMINAL 8348-01-000 AND HEAT SHRINK 176567-02-000. COIL EXCESS CABLE ALONG FRAME RAIL JUST BEHIND RADIATOR AND TIE UP WITH TIE-WIRE 8343-04-000.
 - 6 SEE WIRING INSTL-FRONT END FOR ADDITIONAL INFORMATION.
 - 5 CLAMP 83610-01-000, SCREW G11-10-16B.
 - 4. WIRE TIE 8343-04-000. FASTEN EVERY 600MM MINIMUM.
 - 3. ALL DIMENSIONS ARE FROM DATUM UNLESS OTHERWISE SPECIFIED.
 - 2. SECURE CONDUIT 41953, TAB AS REQUIRED, OVER ALL WIRES IN CONTACT WITH SHARP EDGES.
 - 1 SEE BATTERY INSTL FOR ADDITIONAL INFORMATION.



52N	AWNING - PATIO, ELECTRIC
63N	AWNING-ENTRY, ELECTRIC
265	CODES/STANDARDS-CSA/CMVSS
1B1	CODES/STANDARDS USA

1B1	265
-----	-----

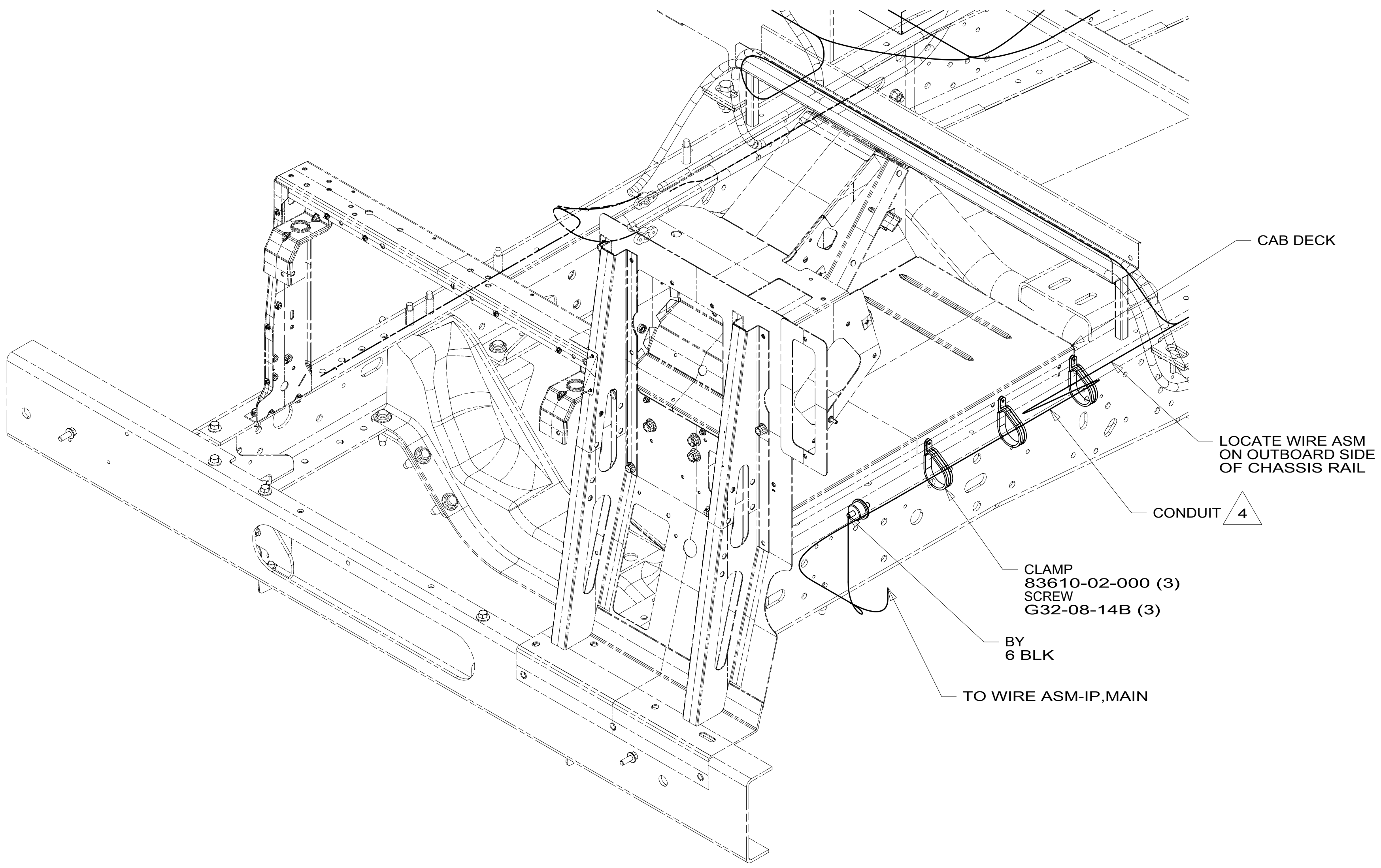
WINNEBAGO COPYRIGHT 2014 WINNEBAGO INDUSTRIES, INC.

DFTR	ORIG. DATE
CHKR	ALL DIMENSIONS ARE IN MILLIMETERS
P.E.	FIRST USED
M.E.	15 D36Z
DSNR	MATERIAL:
UNSPECIFIED TOLERANCES ARE:	
WHOLE DIM (X)	: 3
ONE-PLACE (X.X)	: 1.5
TWO-PLACE (X.XX)	: 0.50
ANGLE	: 1°
THIRD ANGLE PROJECTION	
DO NOT SCALE DRAWING	REFER TO ES0018 FOR FASTENER TIGHTENING GUIDELINES
TITLE: WIRING INSTL-CHASSIS	
SHEET 1 OF 2	PART NO 190256 REV
REF:	1 27-Feb-2015

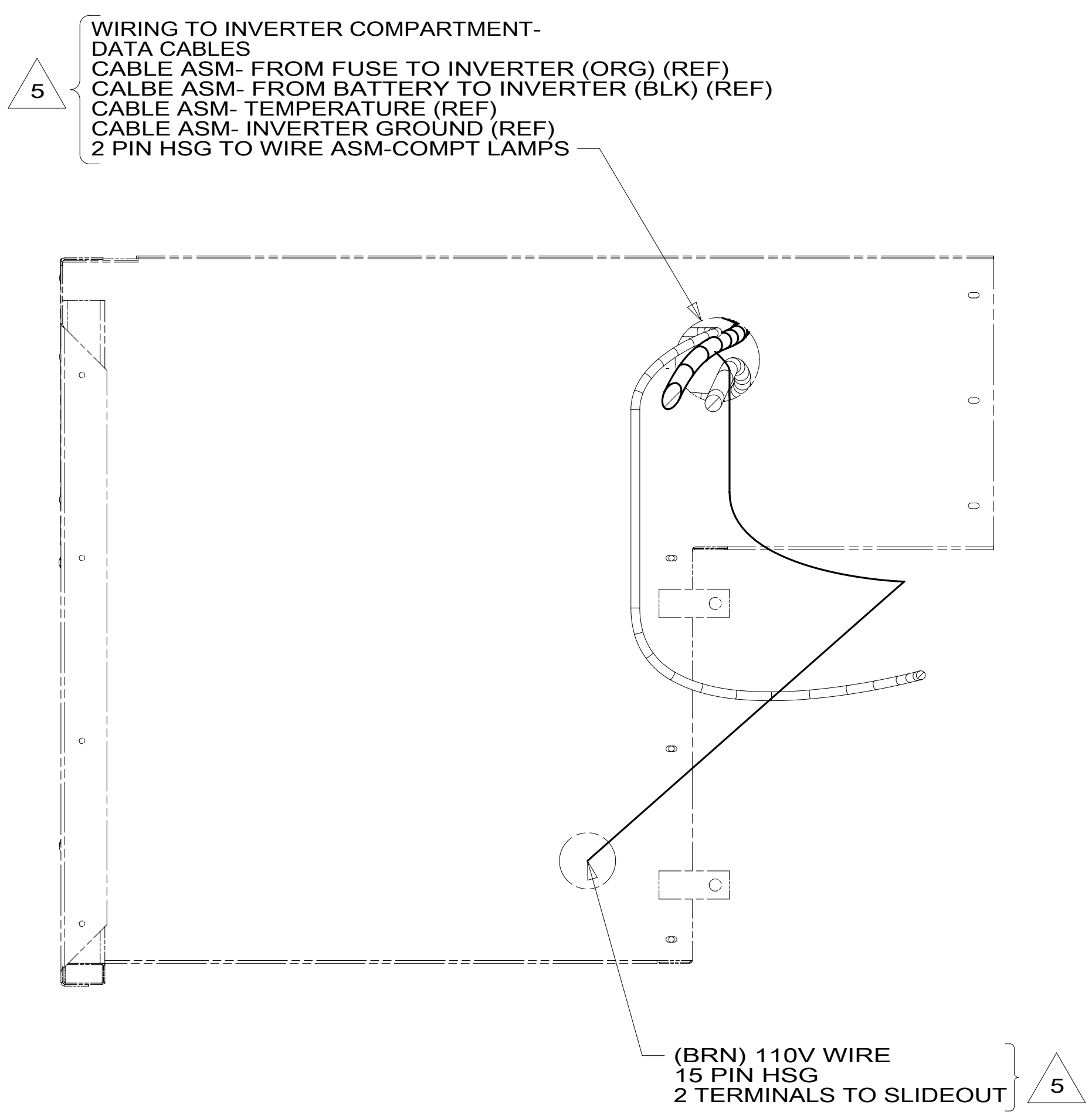
FOR ELECTRICAL TORQUE SPECIFICATIONS SEE DWG NO. 128783-01-000

X-X FOR ELECTRICAL CALLOUTS SEE DWG NO. 121339-01-000

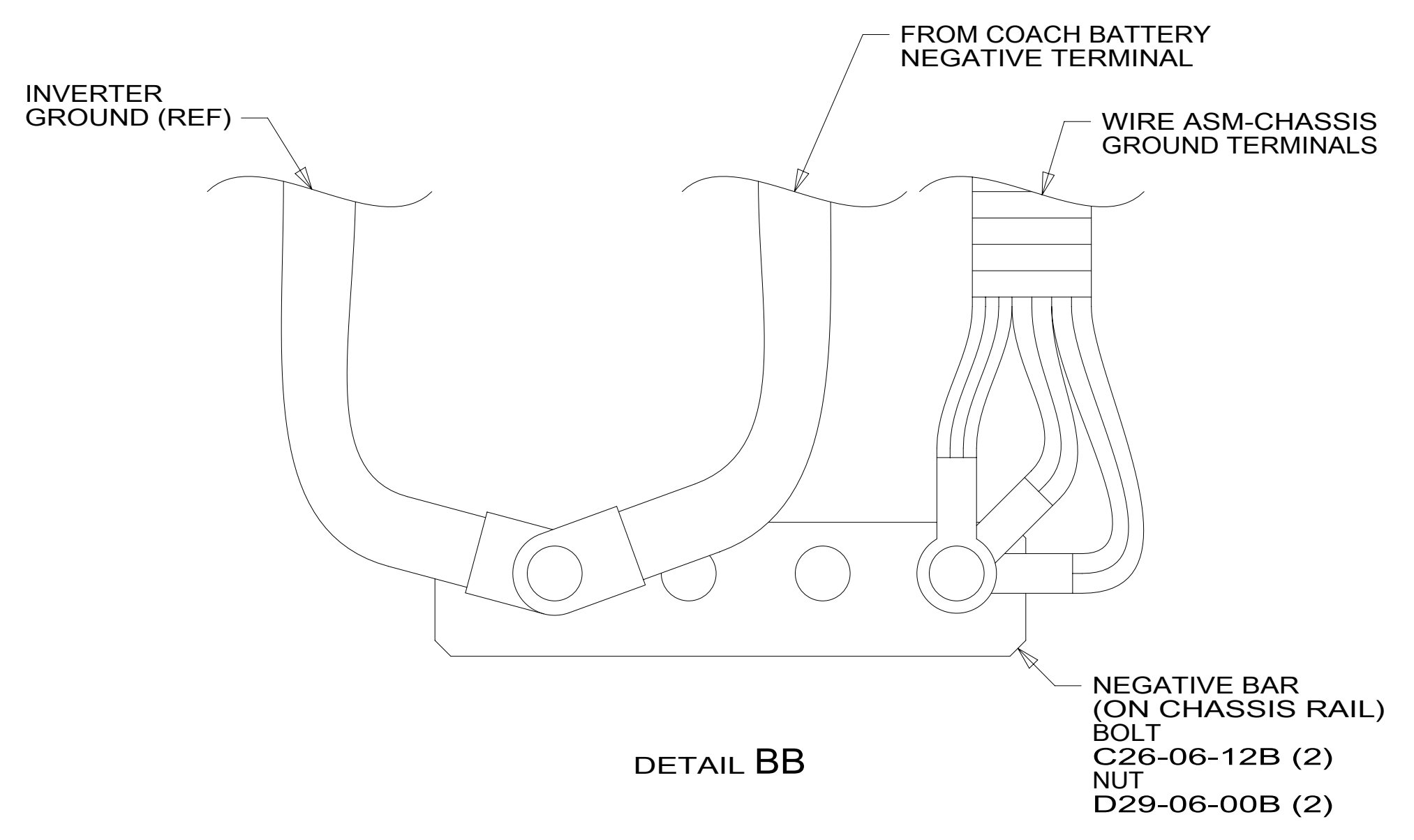
190256



VIEW BA



VIEW BC



DETAIL BB

- NOTES:
- 5 RUN ALL CABLES THROUGH BEFORE SEALING.
 - 4 COVER WITH CONDUIT 41953-10-000 AND 41953-11-000 AS REQUIRED.
 - 3. CONNECT CABLES TO COACH SIDE OF BATTERY DISCONNECT WHEN BATTERY DISCONNECT IS USED.
 - 2. ALL GROUND WIRE TO BE COVERED WITH TUBING 8041-02-000.
 - 1. CUT OFF EXCESS END OF WIRE TIE.

FOR ELECTRICAL TORQUE SPECIFICATIONS SEE DWG NO. 128783-01-000

FOR ELECTRICAL CALLOUTS SEE DWG NO. 121339-01-000

265 CODES/STANDARDS-CSA/CMVSS
 1B1 CODES/STANDARDS USA
 1B1 265

FIRST USED	15 D36Z	
TITLE:	DO NOT SCALE DRAWING	
	WIRING INSTL-CHASSIS	
SHEET 2	PART NO 190256	REV

190256