



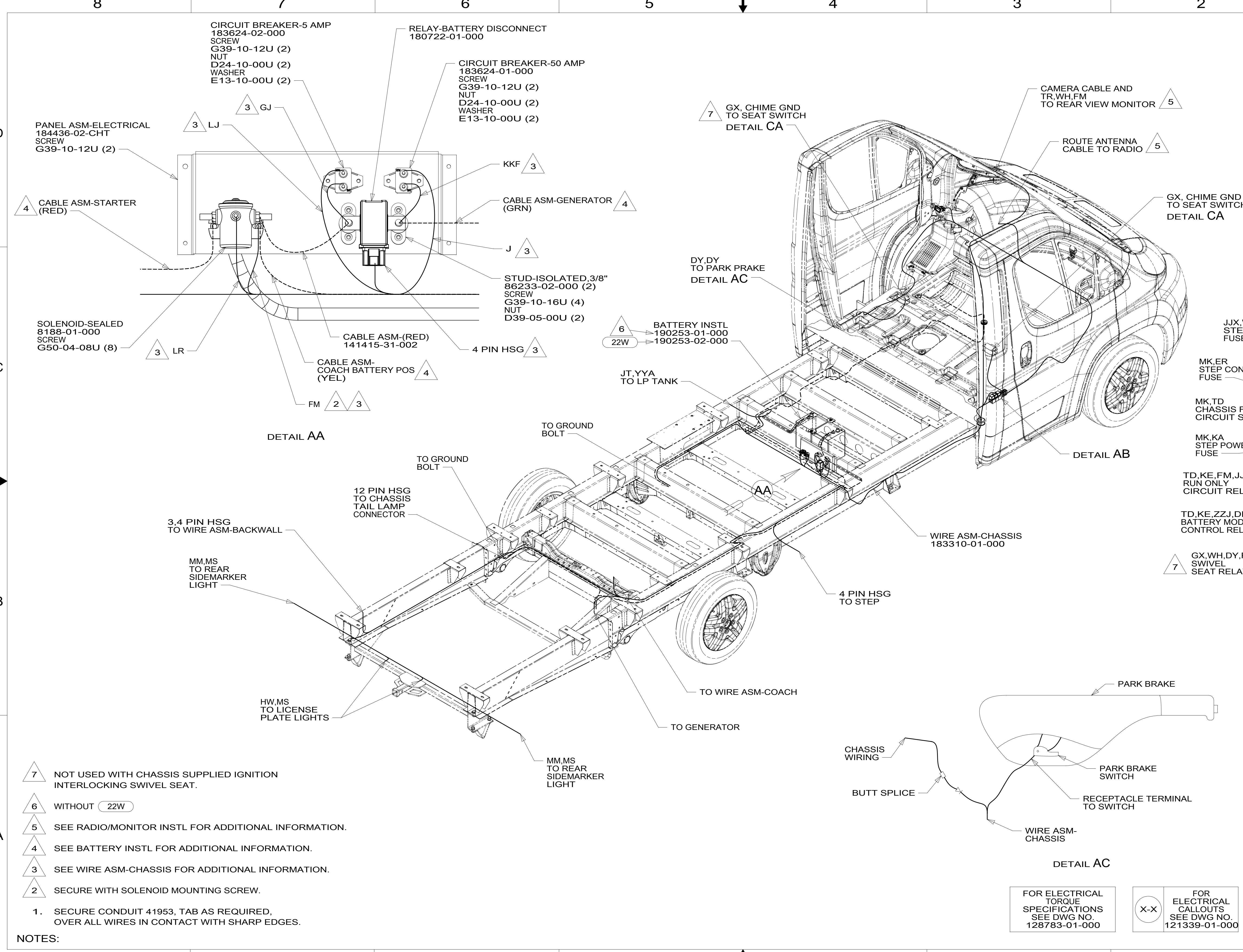
**DANGER**

**Danger of electrical shock, burns or death.** Always remove all power sources before attempting any repair, service or diagnostic work. Power can be present from shore power, generator, inverter or battery. All power sources must be disabled and secured before performing any service.



**CAUTION**

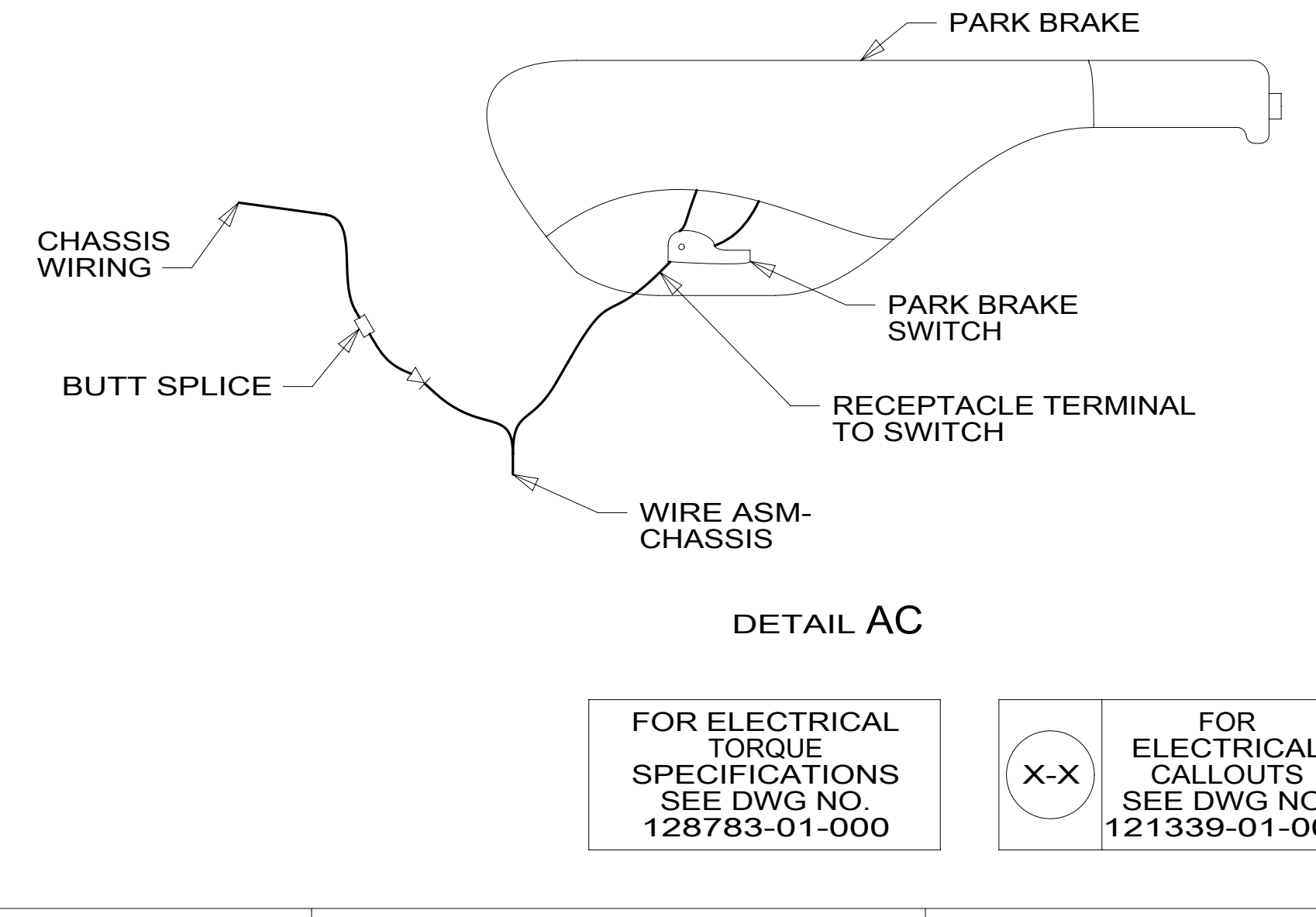
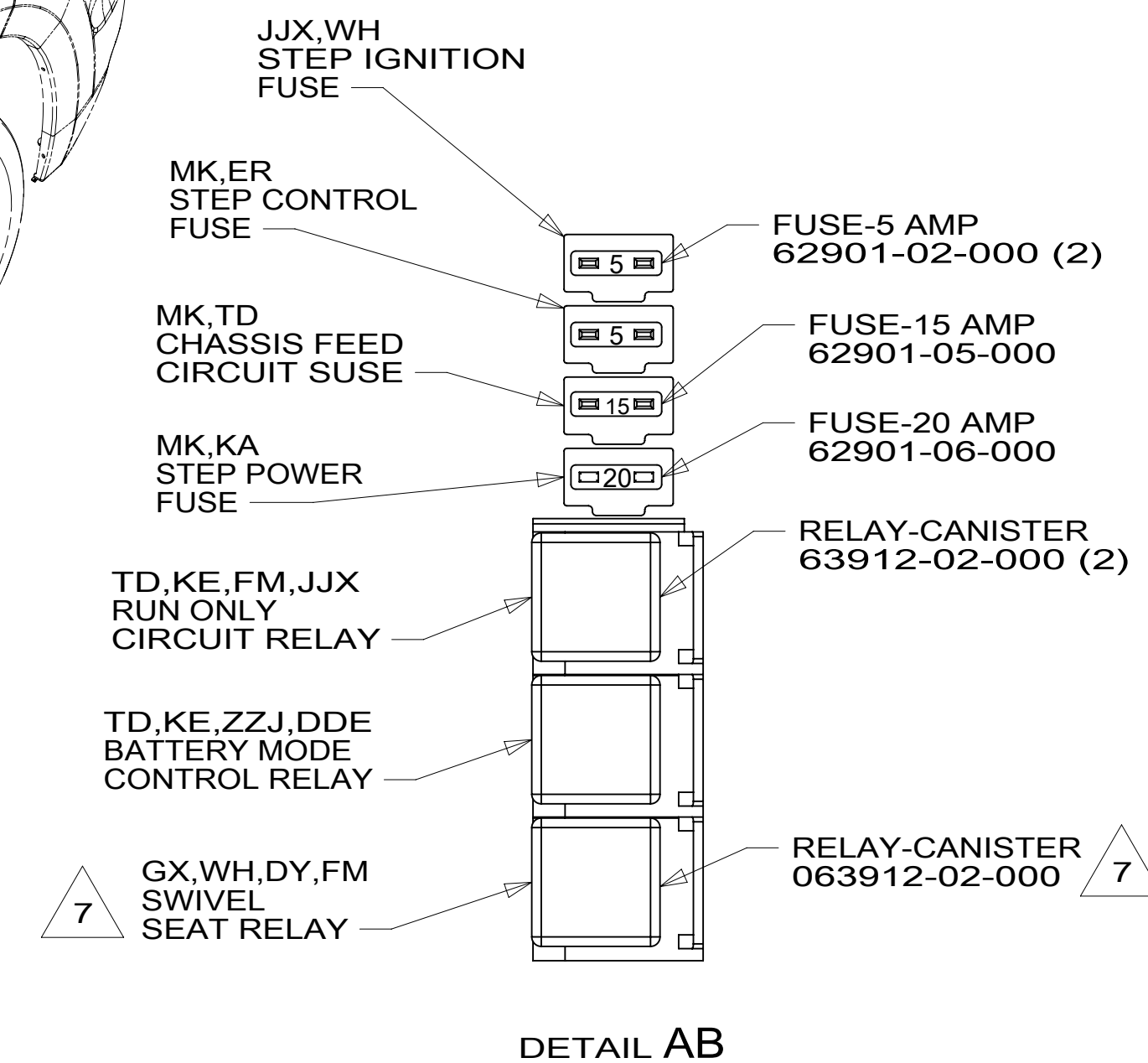
If you lack the skills, tools or equipment to perform diagnostic or repair work leave such work to an authorized Winnebago Industries dealer or other qualified shop.



8  
7  
6  
5  
4  
3  
2  
1

1  
2  
3  
4  
5  
6  
7

- NOTES:
- 7 NOT USED WITH CHASSIS SUPPLIED IGNITION INTERLOCKING SWIVEL SEAT.
  - 6 WITHOUT 22W
  - 5 SEE RADIO/MONITOR INSTL FOR ADDITIONAL INFORMATION.
  - 4 SEE BATTERY INSTL FOR ADDITIONAL INFORMATION.
  - 3 SEE WIRE ASM-CHASSIS FOR ADDITIONAL INFORMATION.
  - 2 SECURE WITH SOLENOID MOUNTING SCREW.
  - 1. SECURE CONDUIT 41953, TAB AS REQUIRED, OVER ALL WIRES IN CONTACT WITH SHARP EDGES.



- 22W BATTERY-SECOND
- 265 CODES/STANDARDS-CSA/CMVSS
- 1B1 CODES/STANDARDS USA

**WINNEBAGO** COPYRIGHT 2014 WINNEBAGO INDUSTRIES, INC.

DFTR	ORIG. DATE
CHKR	ALL DIMENSIONS ARE IN MILLIMETERS
P.E.	FIRST USED
M.E.	15 623L
DSNR	

UNSPECIFIED TOLERANCES ARE:  
 WHOLE DIM (X) : 3  
 ONE-PLACE (X.X) : 1.5  
 TWO-PLACE (X.XX) : 0.50  
 ANGLE : 1°

THIRD ANGLE PROJECTION

DO NOT SCALE DRAWING REFER TO ES0018 FOR FASTENER TIGHTENING GUIDELINES

TITLE: **WIRING INSTL-CHASSIS**

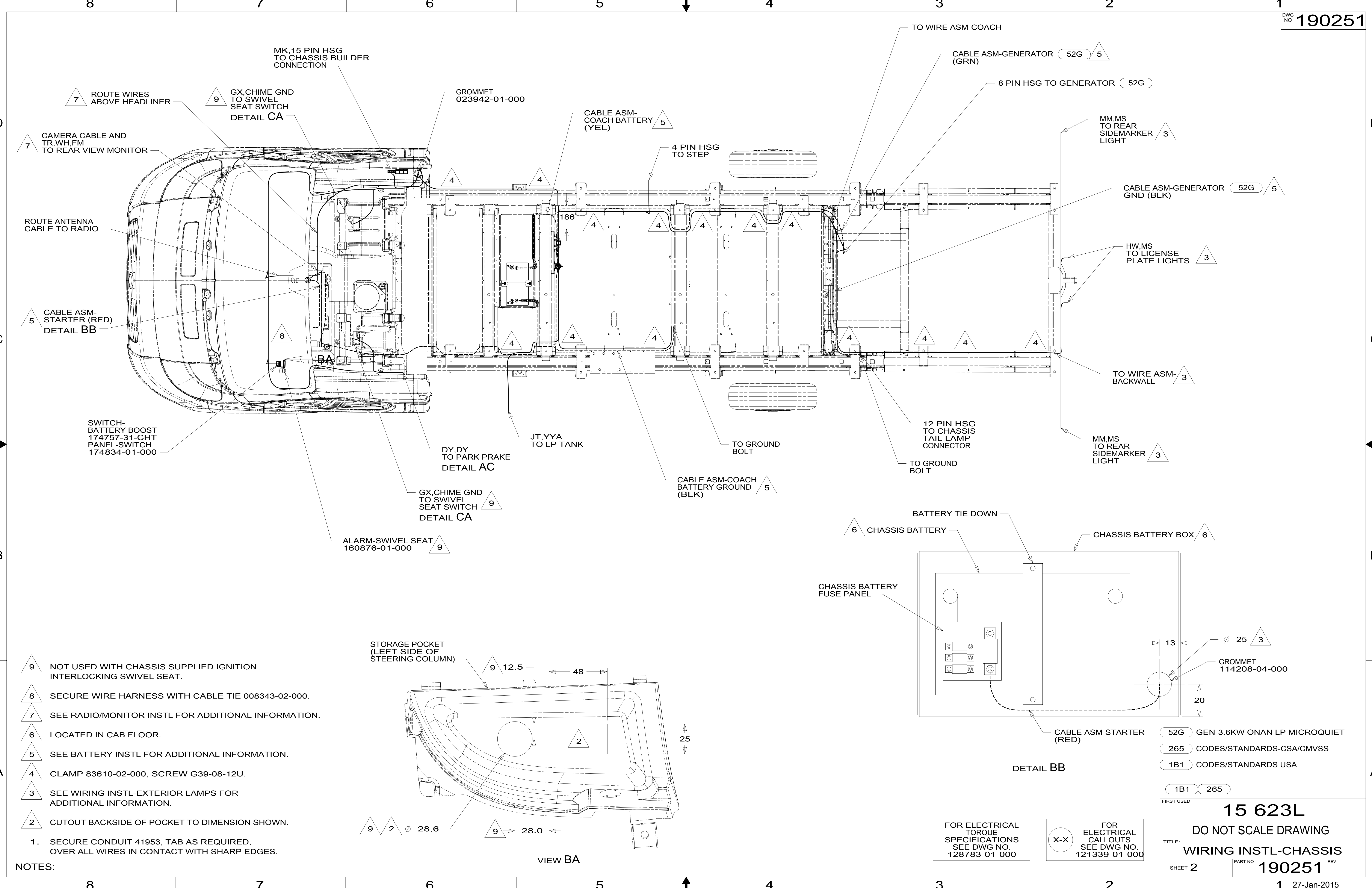
SHEET 1 OF 3 PART NO 190251 REV 1

REF: 1 27-Jan-2015

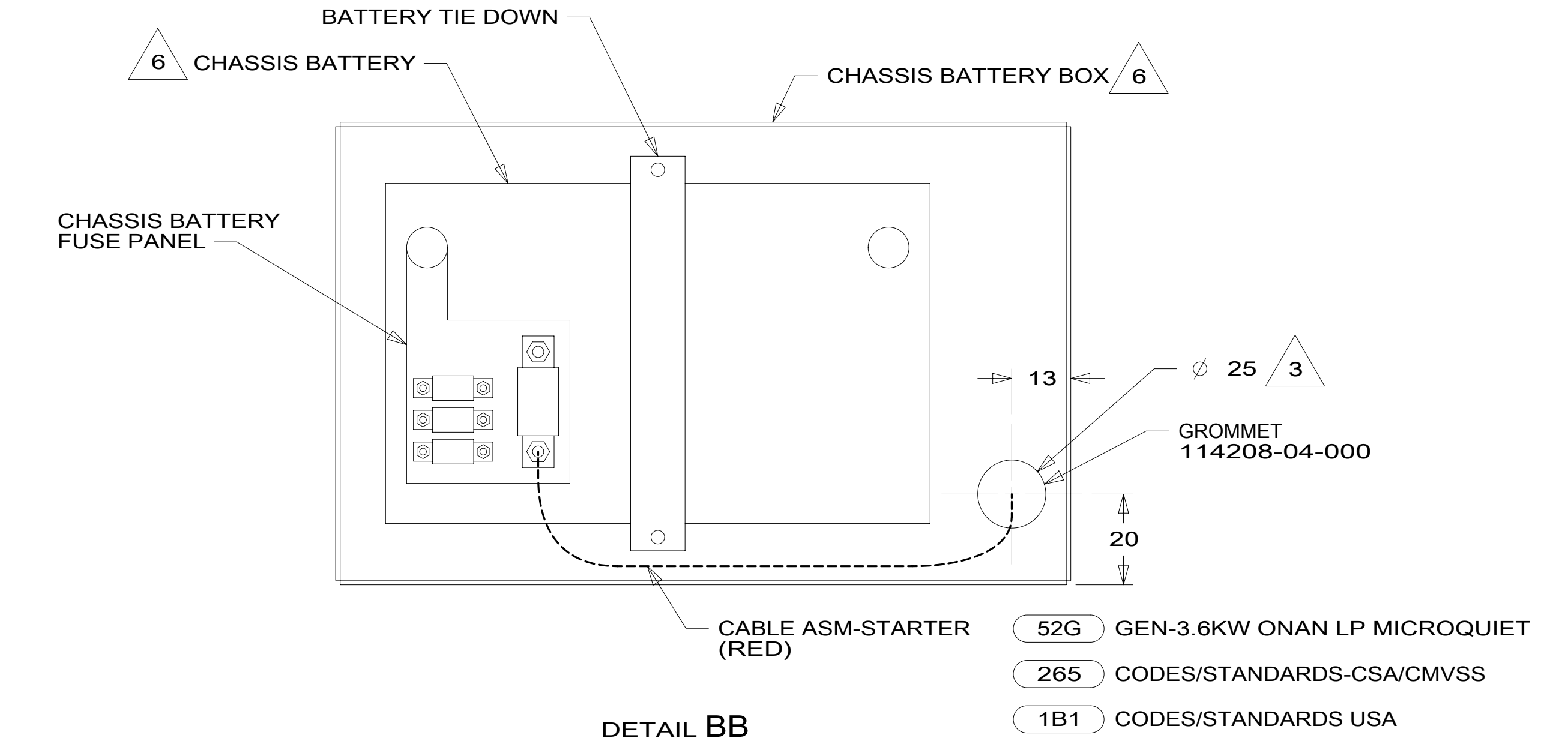
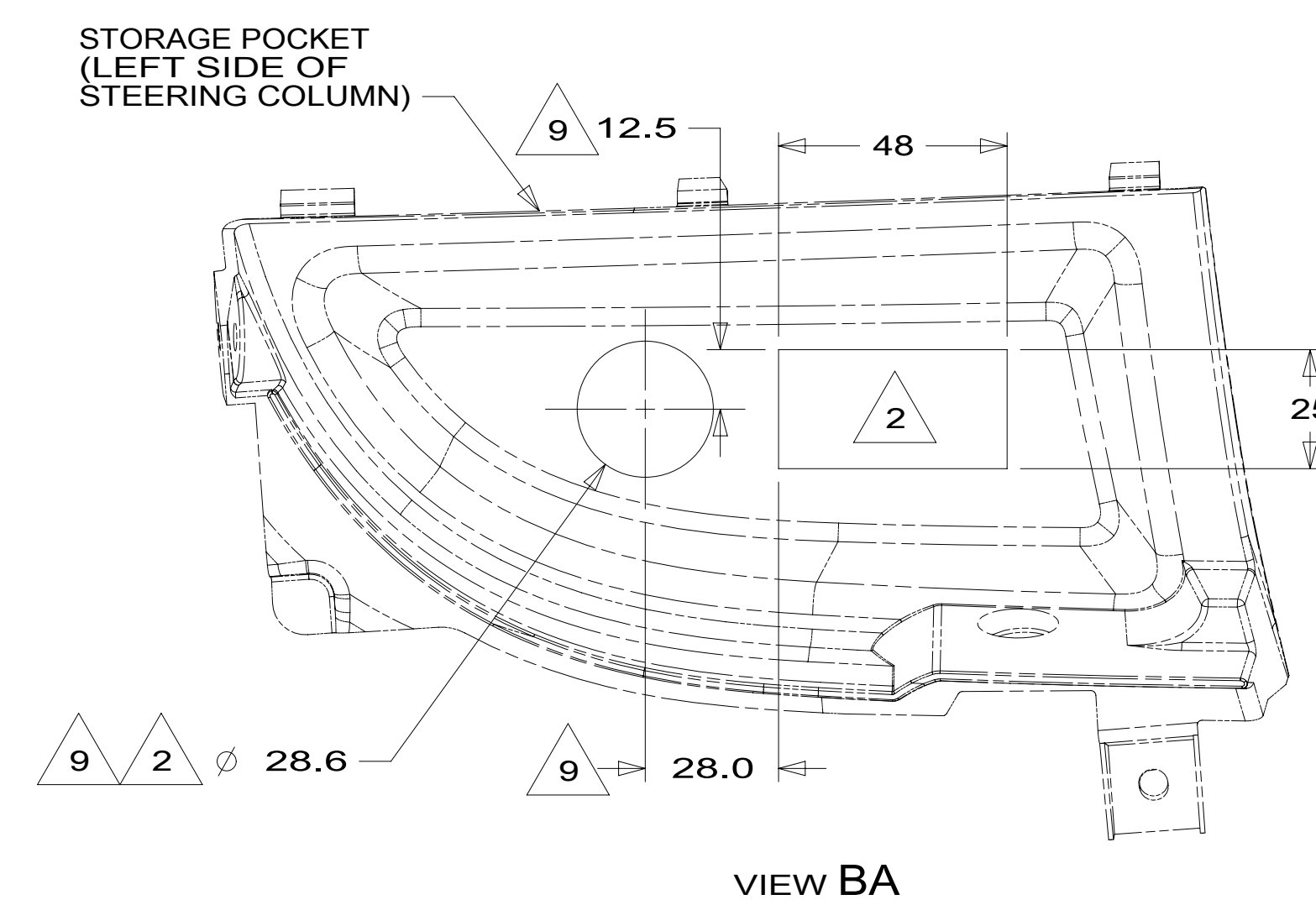
FOR ELECTRICAL TORQUE SPECIFICATIONS SEE DWG NO. 128783-01-000

X-X FOR ELECTRICAL CALLOUTS SEE DWG NO. 121339-01-000

\*190251\*



- 9 NOT USED WITH CHASSIS SUPPLIED IGNITION INTERLOCKING SWIVEL SEAT.
  - 8 SECURE WIRE HARNESS WITH CABLE TIE 008343-02-000.
  - 7 SEE RADIO/MONITOR INSTL FOR ADDITIONAL INFORMATION.
  - 6 LOCATED IN CAB FLOOR.
  - 5 SEE BATTERY INSTL FOR ADDITIONAL INFORMATION.
  - 4 CLAMP 83610-02-000, SCREW G39-08-12U.
  - 3 SEE WIRING INSTL-EXTERIOR LAMPS FOR ADDITIONAL INFORMATION.
  - 2 CUTOUT BACKSIDE OF POCKET TO DIMENSION SHOWN.
1. SECURE CONDUIT 41953, TAB AS REQUIRED, OVER ALL WIRES IN CONTACT WITH SHARP EDGES.

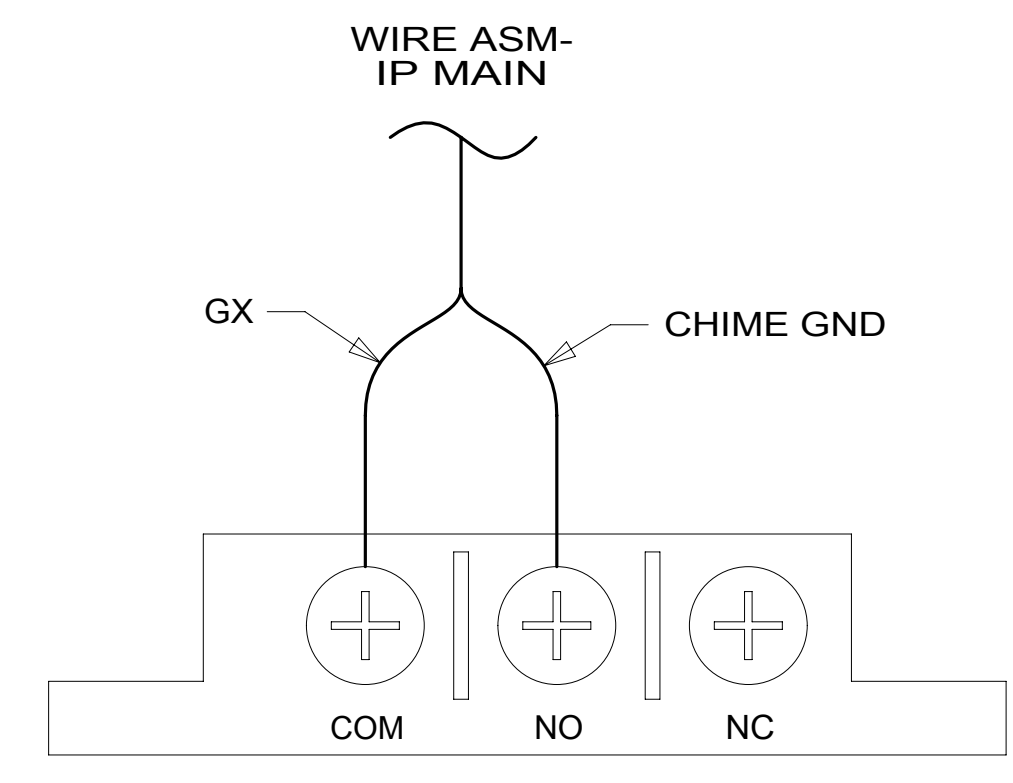
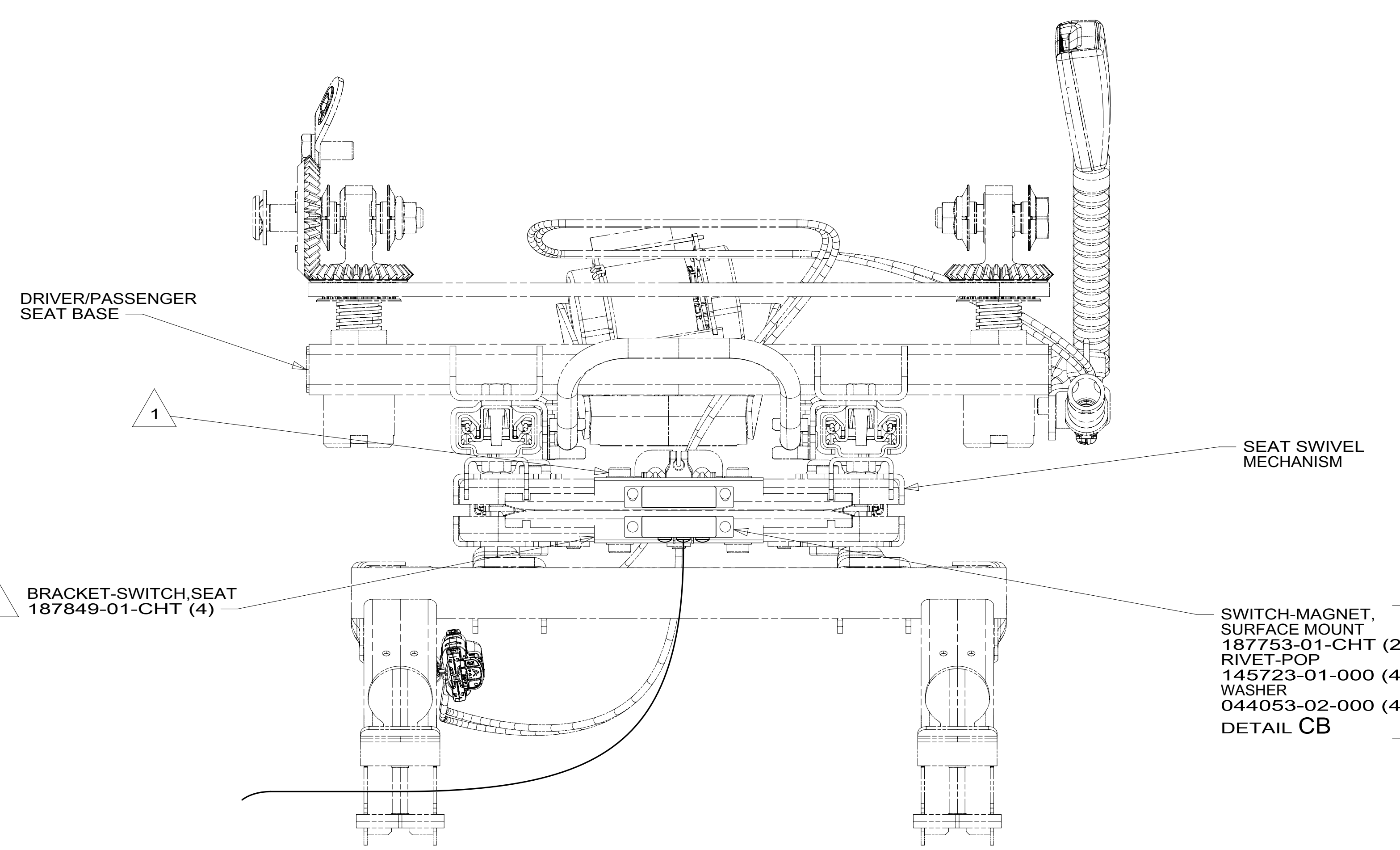


FOR ELECTRICAL TORQUE SPECIFICATIONS SEE DWG NO. 128783-01-000

FOR ELECTRICAL CALLOUTS SEE DWG NO. 121339-01-000

FIRST USED		<b>15 623L</b>	
DO NOT SCALE DRAWING			
TITLE: <b>WIRING INSTL-CHASSIS</b>			
SHEET 2	PART NO	<b>190251</b>	REV
			1 27-Jan-2015

\*190251\*



DETAIL CB

DETAIL CA 3

- NOTES:
- 3 NOT USED WITH CHASSIS SUPPLIED IGNITION INTERLOCKING SWIVEL SEAT.
  - 2 INSTALL ON BOTH THE DRIVER AND PASSENGER SEATS.
  - 1 MOUNT BRACKETS TO SEAT SWIVEL MECHANISM BY LOOSENING BOLTS ON BOTH TOP AND BOTTOM OF MECHANISM.

FOR ELECTRICAL TORQUE SPECIFICATIONS SEE DWG NO. 128783-01-000

FOR ELECTRICAL CALLOUTS SEE DWG NO. 121339-01-000

265 CODES/STANDARDS-CSA/CMVSS  
 1B1 CODES/STANDARDS USA

FIRST USED	15 623L	
TITLE:	DO NOT SCALE DRAWING	
	WIRING INSTL-CHASSIS	
SHEET 3	PART NO 190251	REV
	1	27-Jan-2015

\*190251 \*A