



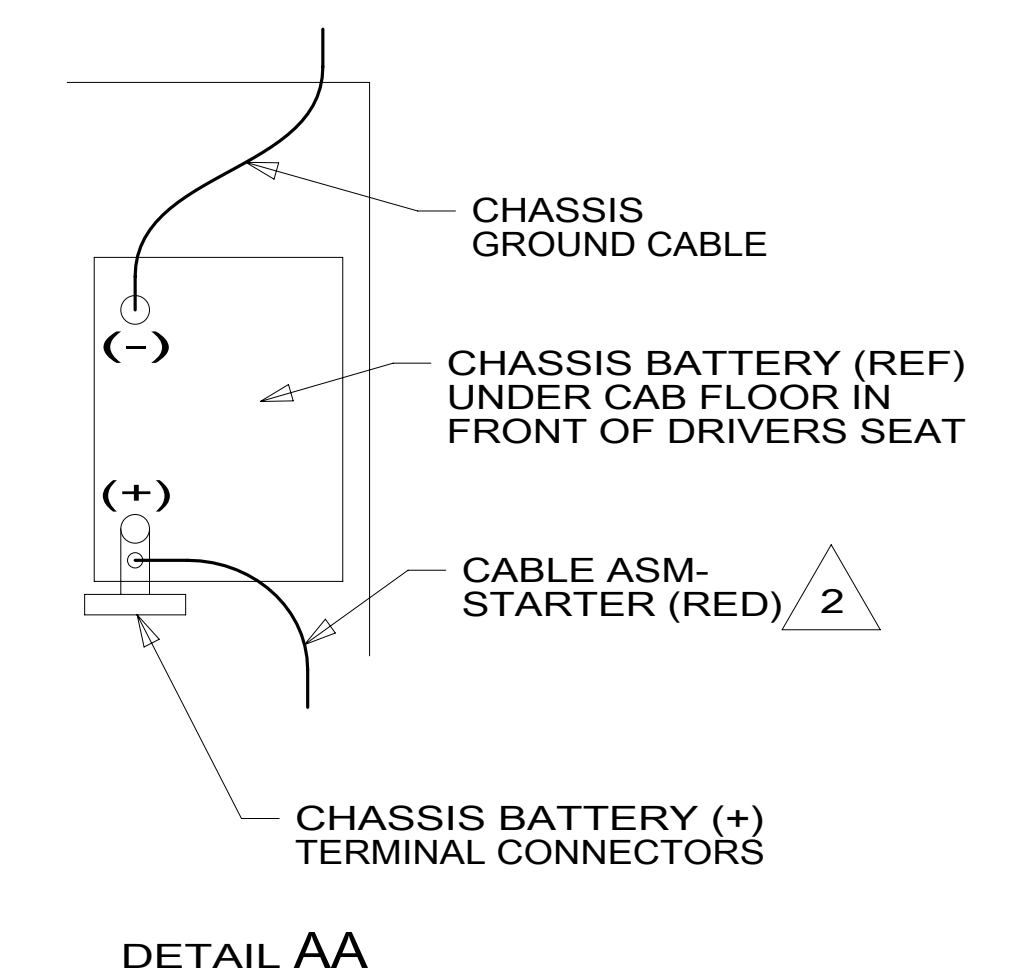
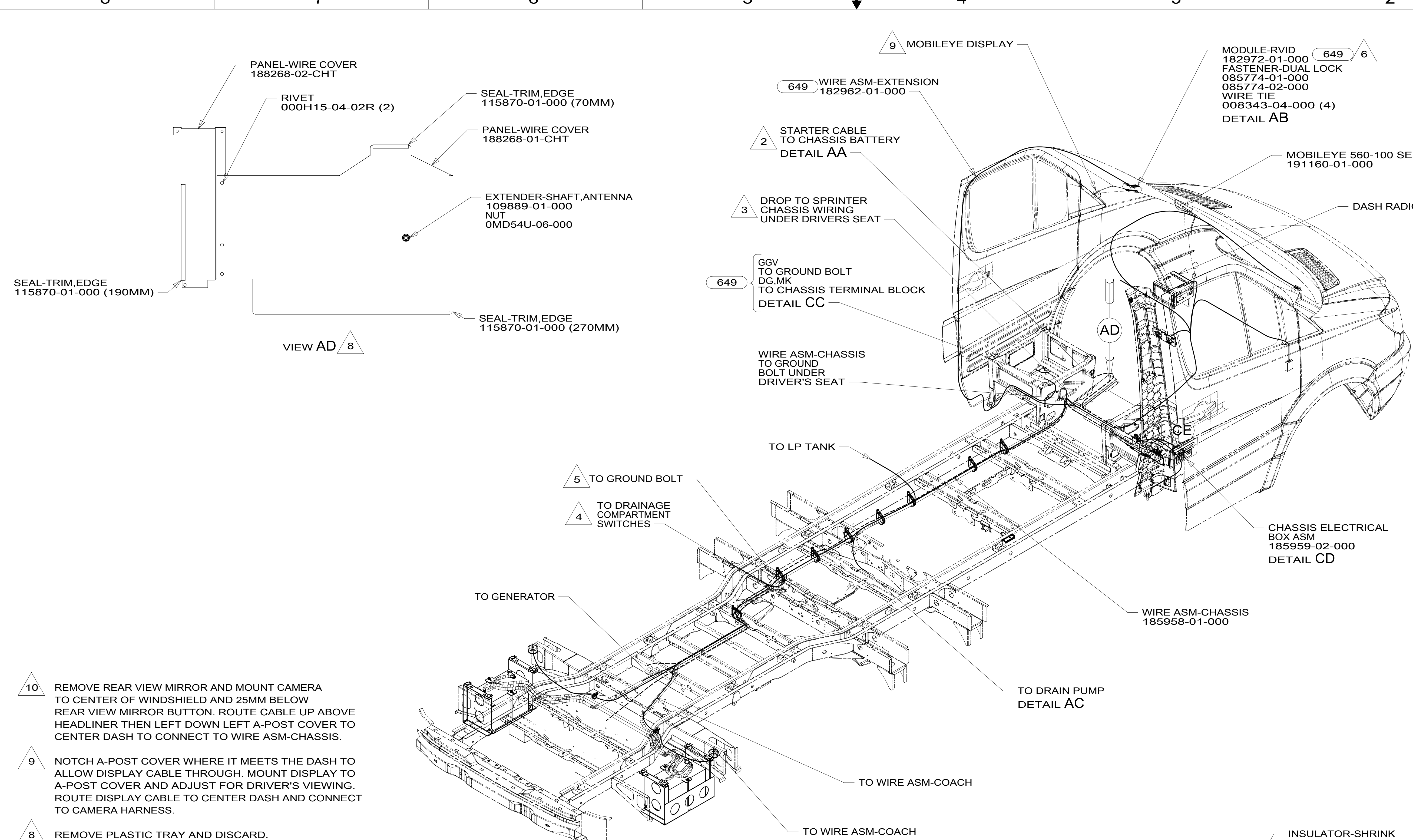
**DANGER**

**Danger of electrical shock, burns or death.** Always remove all power sources before attempting any repair, service or diagnostic work. Power can be present from shore power, generator, inverter or battery. All power sources must be disabled and secured before performing any service.

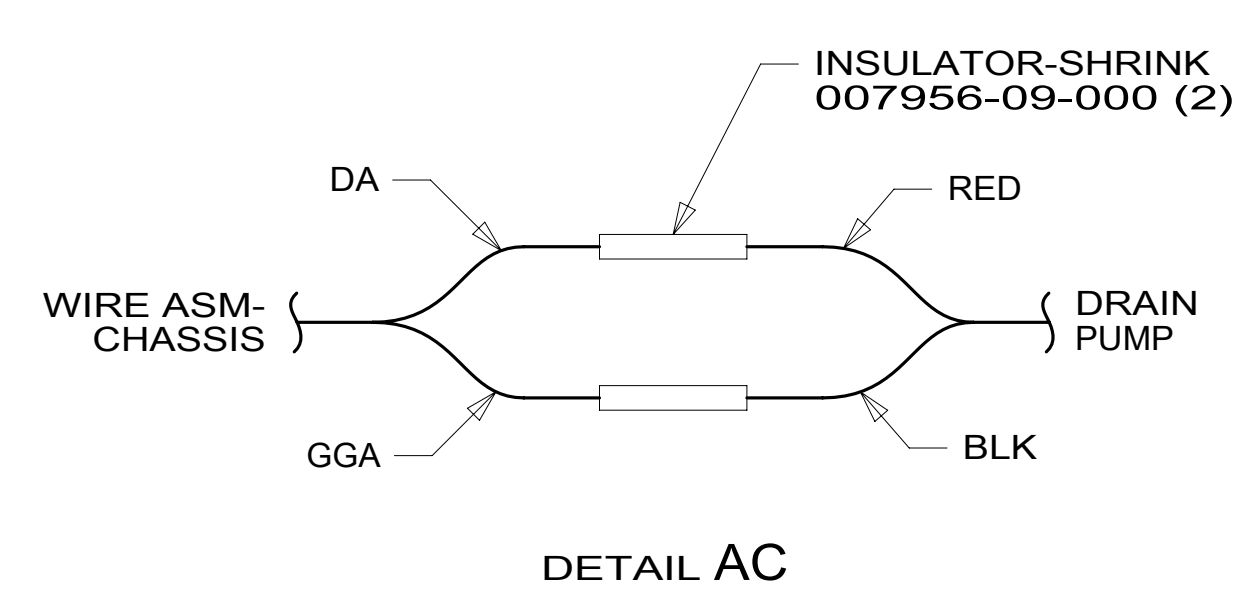
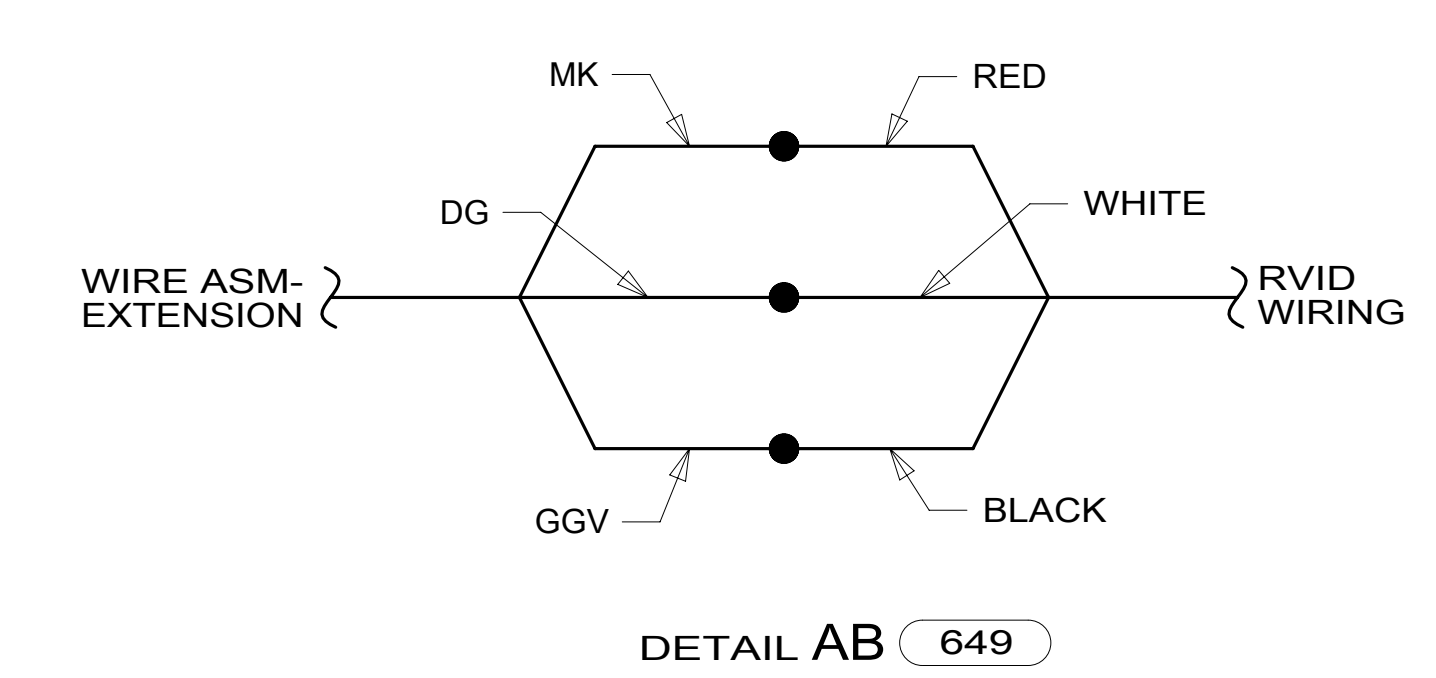


**CAUTION**

If you lack the skills, tools or equipment to perform diagnostic or repair work leave such work to an authorized Winnebago Industries dealer or other qualified shop.



- 36C COLLISION AVOIDANCE SYSTEM
- 649 RENTAL - CANADREAM
- 1MV MERCEDES-11030#DSL,4CYL,VAN
- 1MM MERCEDES-11,030# DIESEL, VAN
- 265 CODES/STANDARDS-CSA/CMVSS
- 1B1 CODES/STANDARDS USA



FOR ELECTRICAL TORQUE SPECIFICATIONS SEE DWG NO. 128783-01-000

FOR ELECTRICAL CALLOUTS SEE DWG NO. 121339-01-000

- NOTES:
1. SECURE CONDUIT 41953, TAB AS REQUIRED, OVER ALL WIRES IN CONTACT WITH SHARP EDGES.
  2. SEE BATTERY INSTL. FOR ADDITIONAL INFORMATION.
  3. CUT WIRE TIE AROUND SPRINTER SEAL, ROUTE THE CHASSIS WIRING THROUGH HOLE AND WIRE TIE SEAL WITH WIRE TIE 8343-04-000.
  4. SEE WIRING INSTL-BODY, 12V FOR ADDITIONAL INFORMATION.
  5. REMOVE PAINT AND UNDER COATING FROM GROUND BOLT AND NUT TO INSURE PROPER CONTACT.
  6. MOUNT RVID MODULE TO TOP SIDE OF OVHD CABINET BRACKET USING DUAL LOCK AND WIRE TIES.
  7. SEE SHT 5 AND SHT 6 FOR ADDITIONAL INFORMATION.
  8. REMOVE PLASTIC TRAY AND DISCARD.
  9. NOTCH A-POST COVER WHERE IT MEETS THE DASH TO ALLOW DISPLAY CABLE THROUGH. MOUNT DISPLAY TO A-POST COVER AND ADJUST FOR DRIVER'S VIEWING. ROUTE DISPLAY CABLE TO CENTER DASH AND CONNECT TO CAMERA HARNESS.
  10. REMOVE REAR VIEW MIRROR AND MOUNT CAMERA TO CENTER OF WINDSHIELD AND 25MM BELOW REAR VIEW MIRROR BUTTON. ROUTE CABLE UP ABOVE HEADLINER THEN LEFT DOWN LEFT A-POST COVER TO CENTER DASH TO CONNECT TO WIRE ASM-CHASSIS.

WINNEBAGO INDUSTRIES, INC. COPYRIGHT 2014

ALL DIMENSIONS ARE IN MILLIMETERS

15 170X

UNSPECIFIED TOLERANCES ARE:  
 WHOLE DIM (X) : 3  
 ONE-PLACE (X.X) : 1.5  
 TWO-PLACE (X.XX) : 0.50  
 ANGLE : 1°

THIRD ANGLE PROJECTION

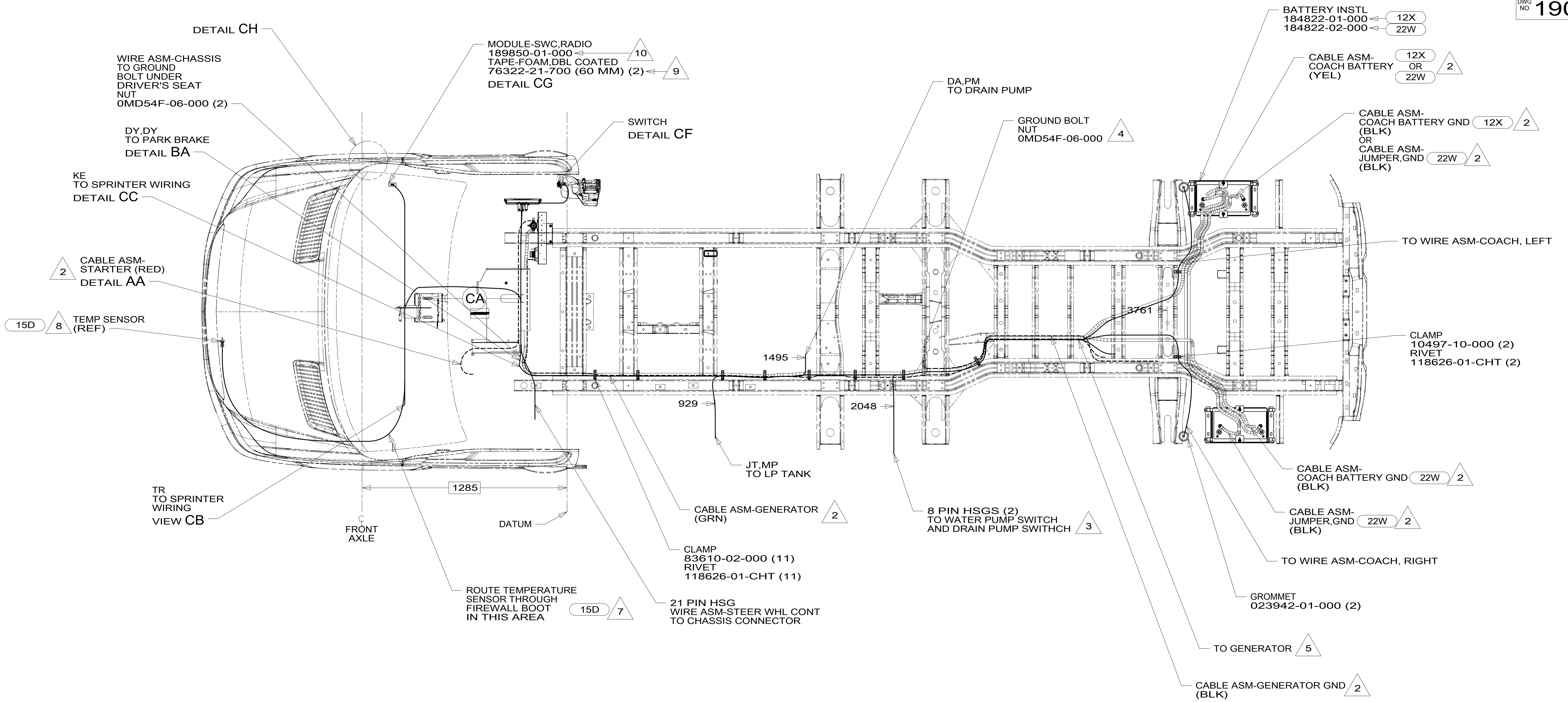
DO NOT SCALE DRAWING REFER TO ES0018 FOR FASTENER TIGHTENING GUIDELINES

TITLE: **WIRING INSTL-CHASSIS**

SHEET 1 OF 6 PART NO. 190241 REV

REF: 1 20-May-2015

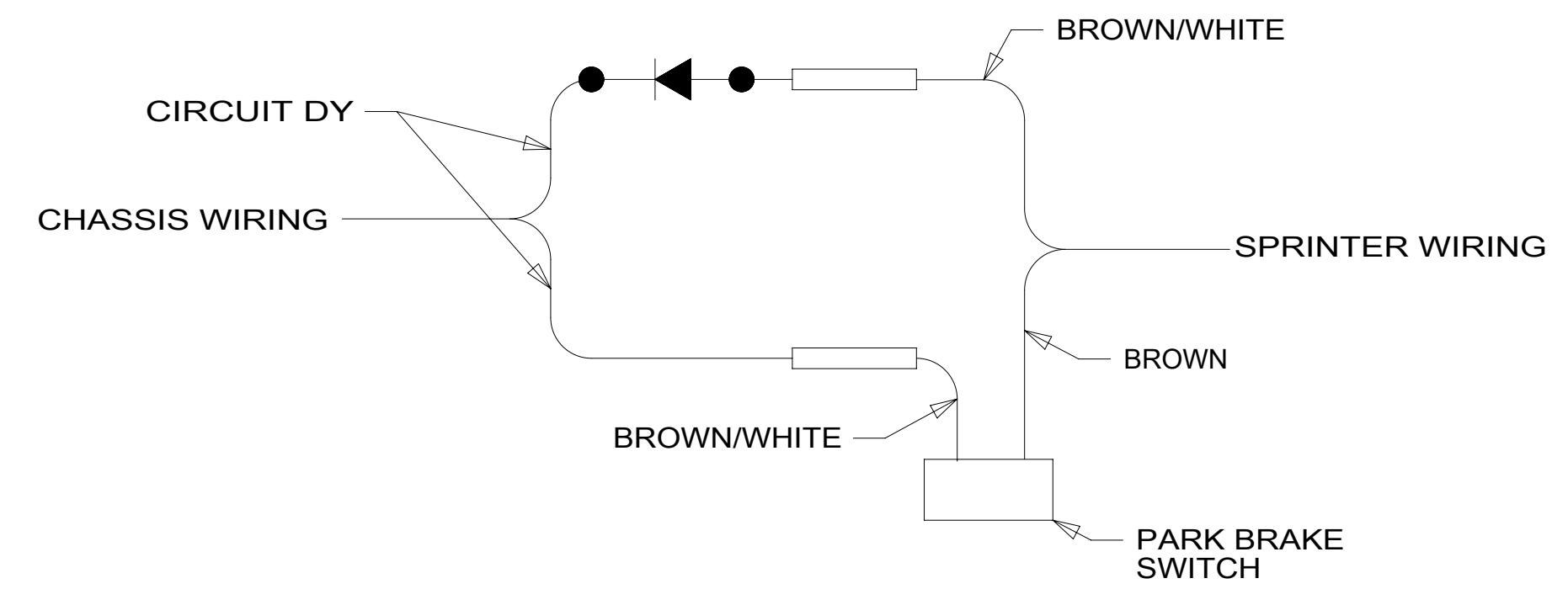
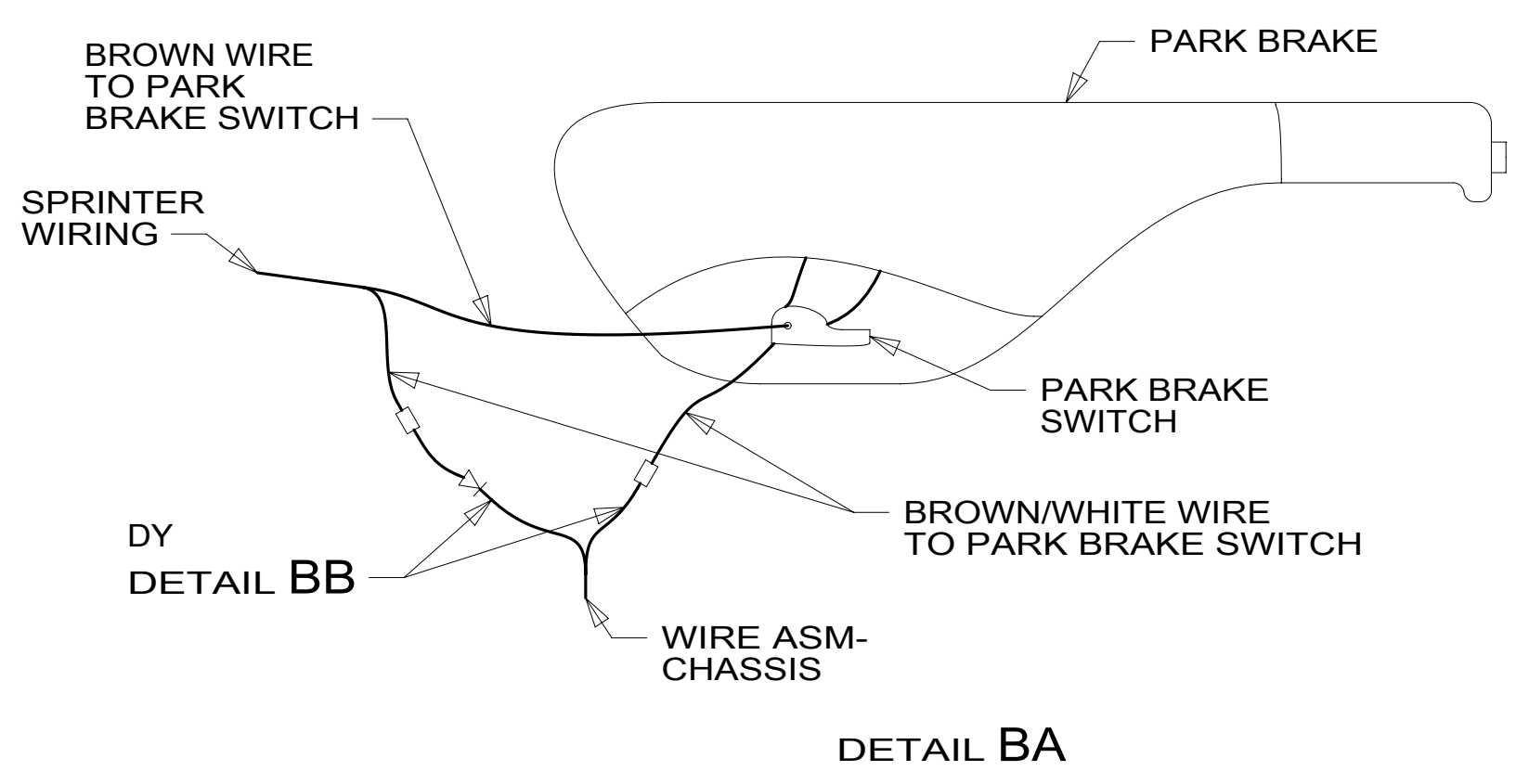
\*190241\*



- 10 REFERENCE MODULE DRAWING FOR SETUP PROCEDURE.
- 9 CLEAN AND APPLY ADHESIVE PROMOTOR 87211-01-000 TO BOTH SURFACES AND BOND MODULE TO KICKER PANEL.
- 8 DRILL 16MM HOLE THROUGH BUMPER COVER BEHIND LICENSE PLATE BRACKET AND INSTALL SENSOR.
- 7 SEE SHEET 4 FOR ADDITIONAL INFORMATION.
- 6 CUT BROWN/BLACK WIRE FROM PARK BRAKE SWITCH AND RECONNECT TO CIRCUIT DY OF WIRE ASM-CHASSIS AS SHOWN.
- 5 SEE GENERATOR INSTL FOR ADDITIONAL INFORMATION.
- 4 REMOVE PAINT AND UNDER COATING FROM GROUND BOLT AND NUT TO INSURE PROPER CONTACT.
- 3 SEE WIRING INSTL-BODY,12V FOR ADDITIONAL INFORMATION.
- 2 SEE BATTERY INSTL FOR ADDITIONAL INFORMATION.

1. SECURE CONDUIT 41953, TAB AS REQUIRED, OVER ALL WIRES IN CONTACT WITH SHARP EDGES.

NOTES:



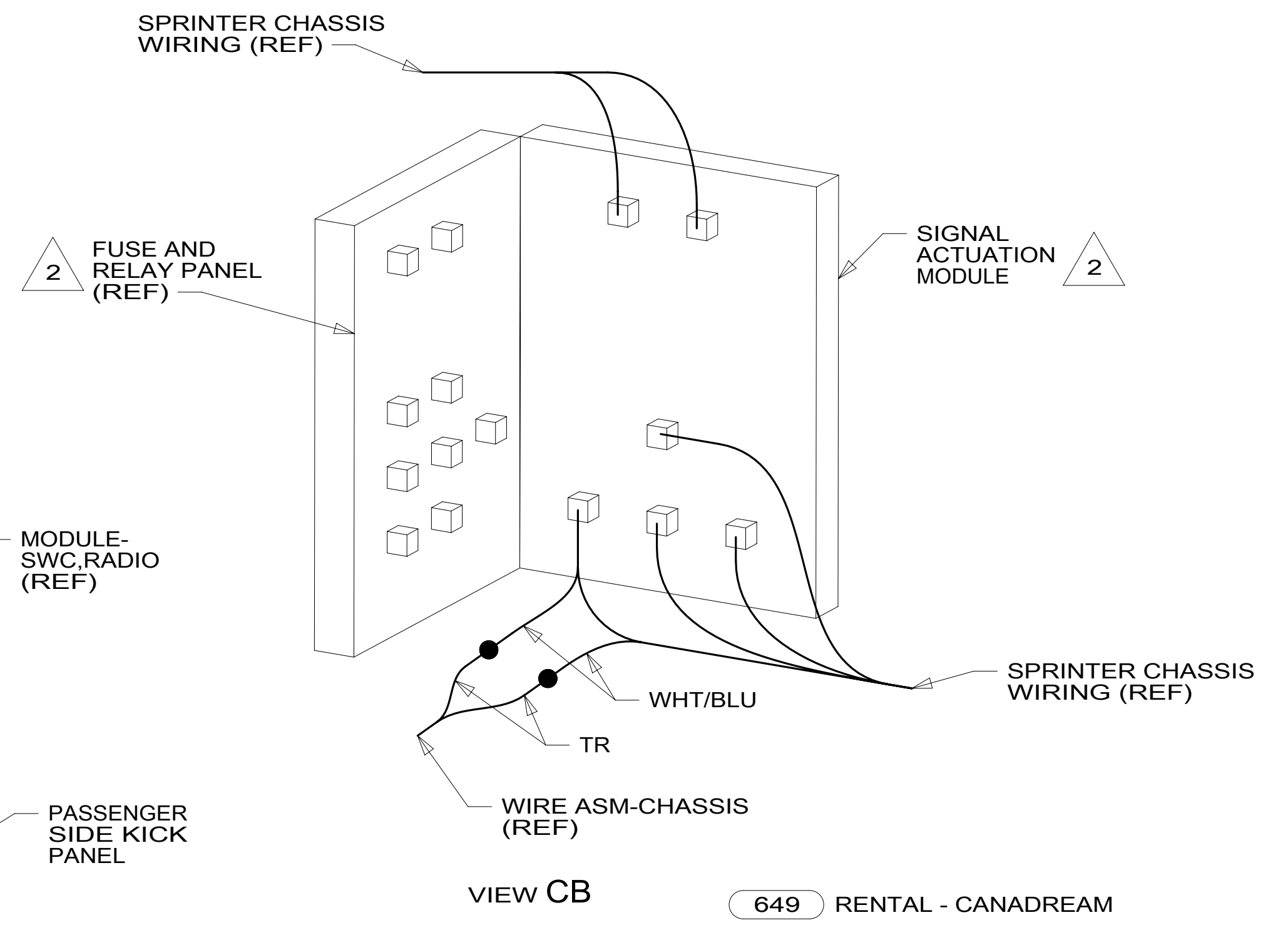
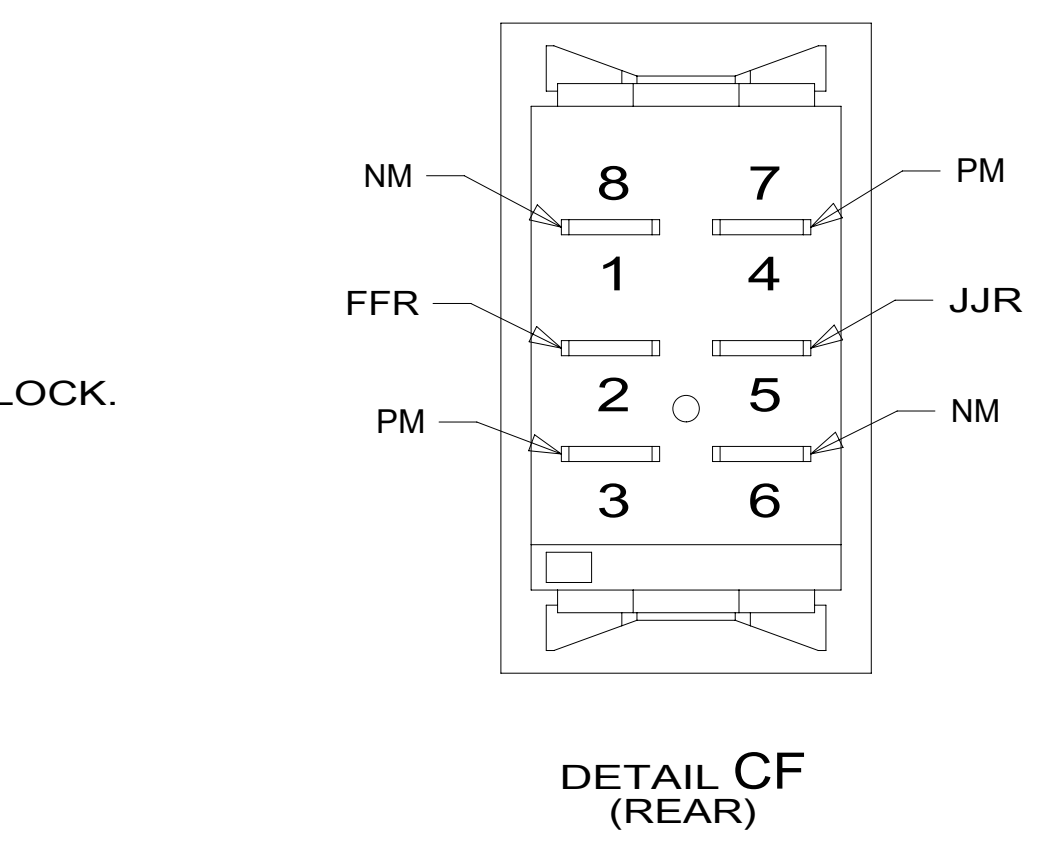
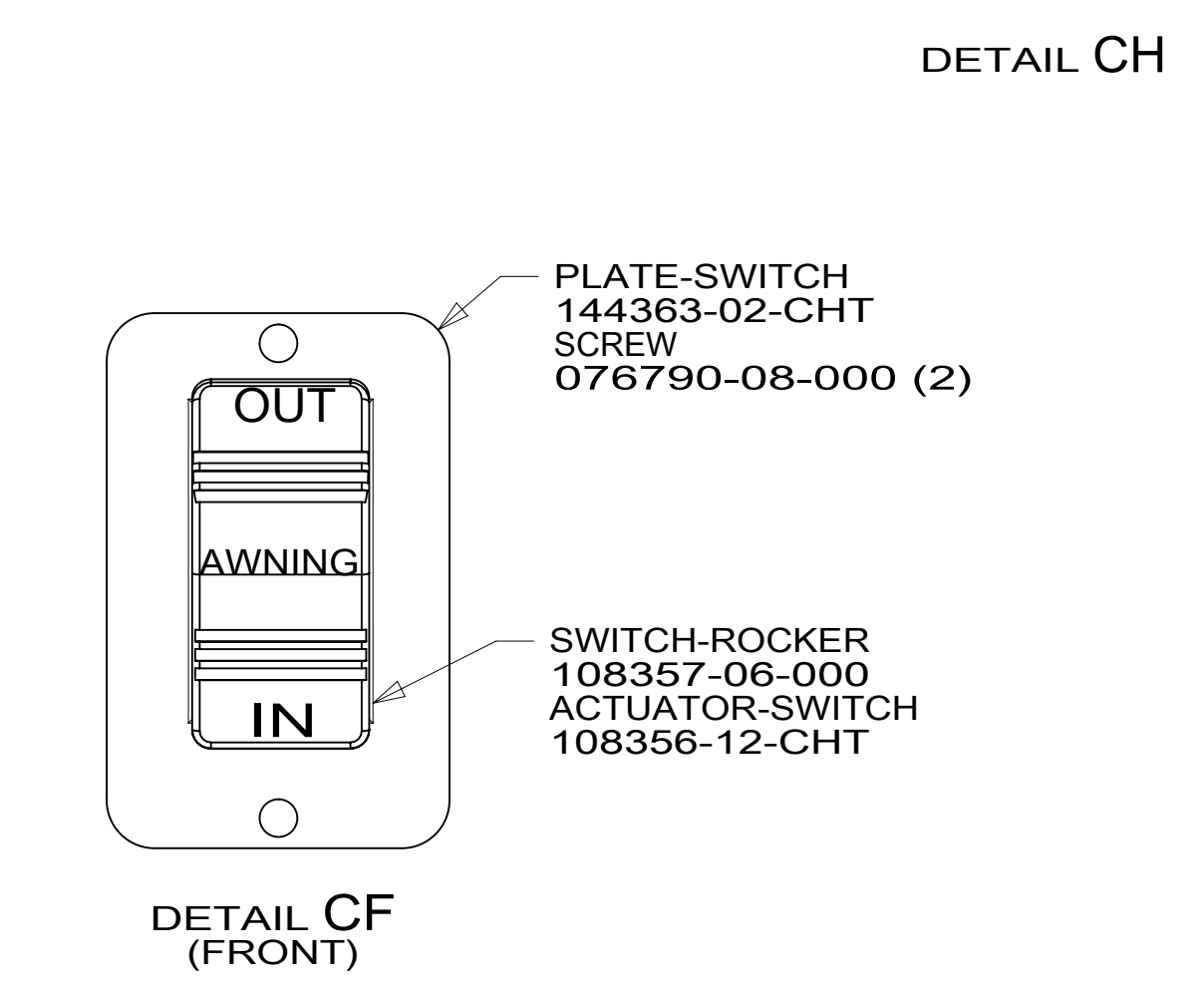
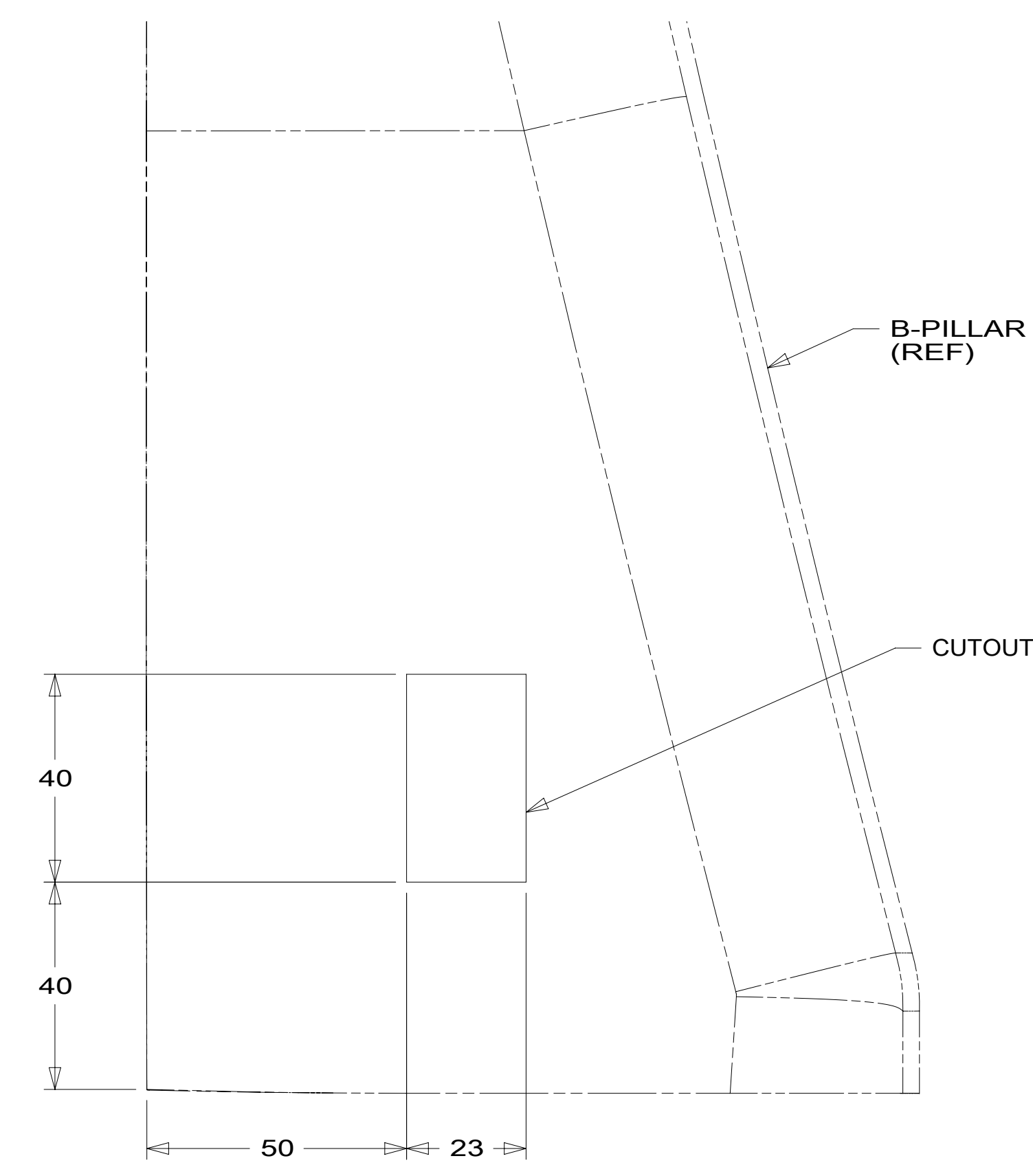
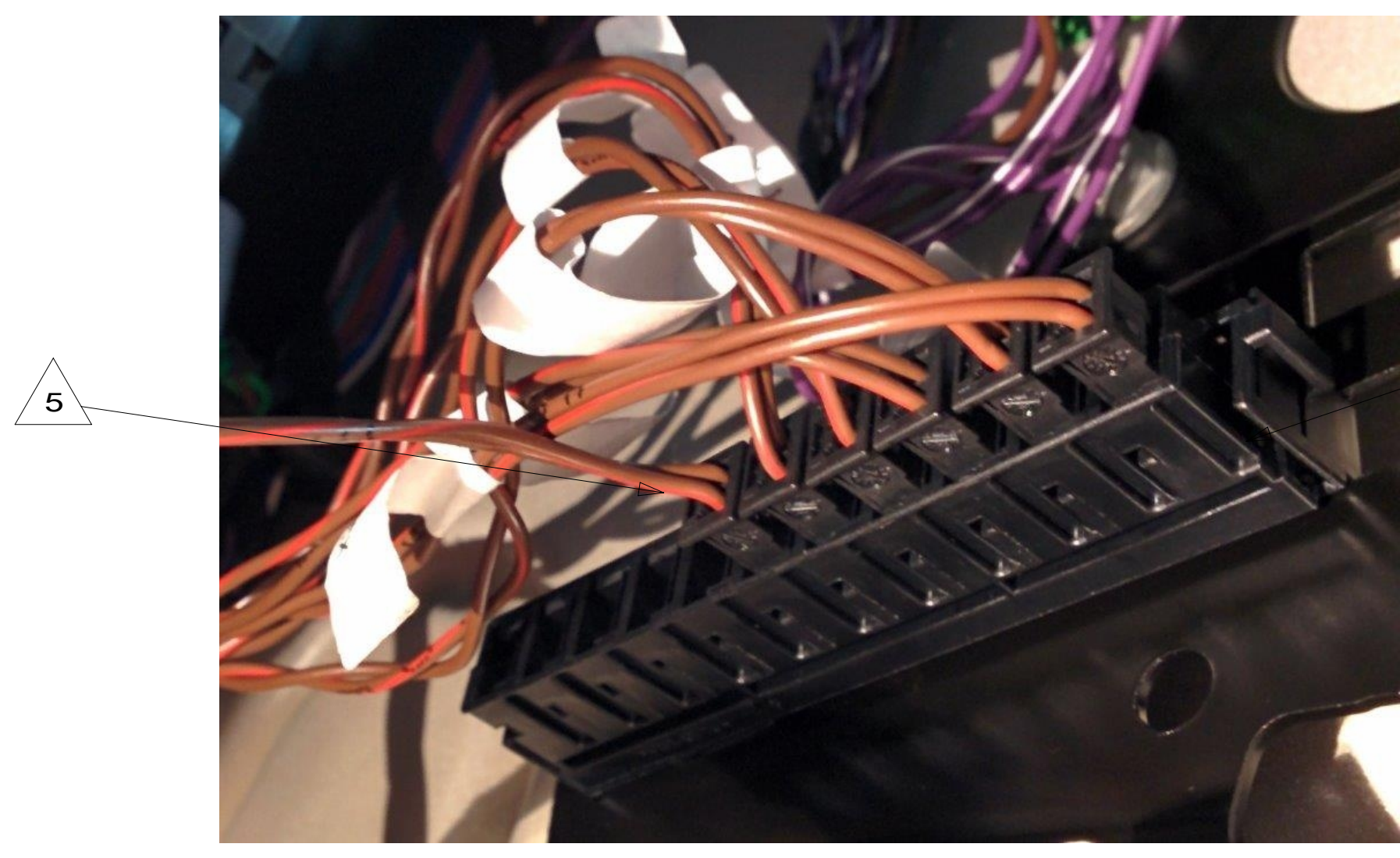
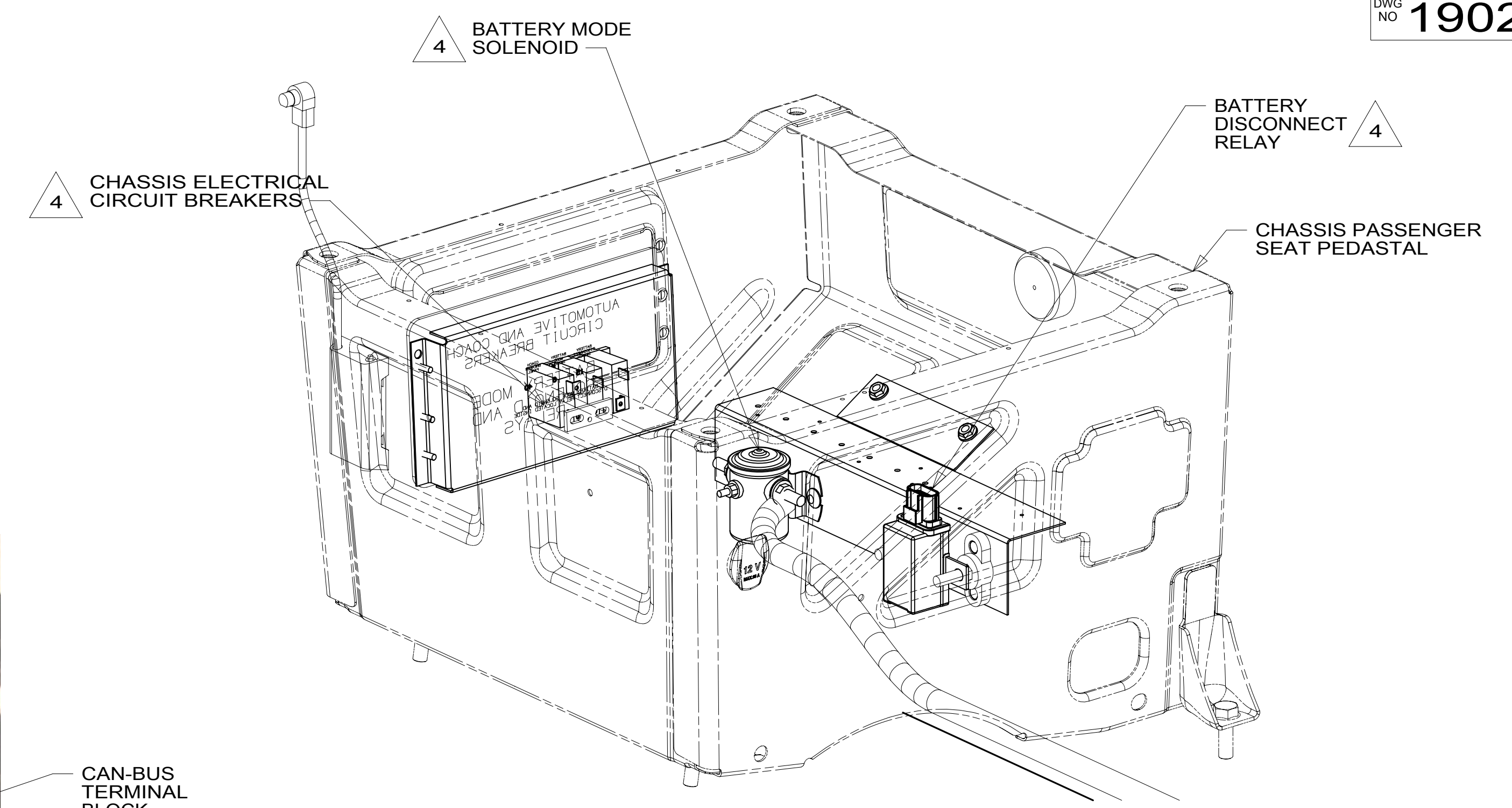
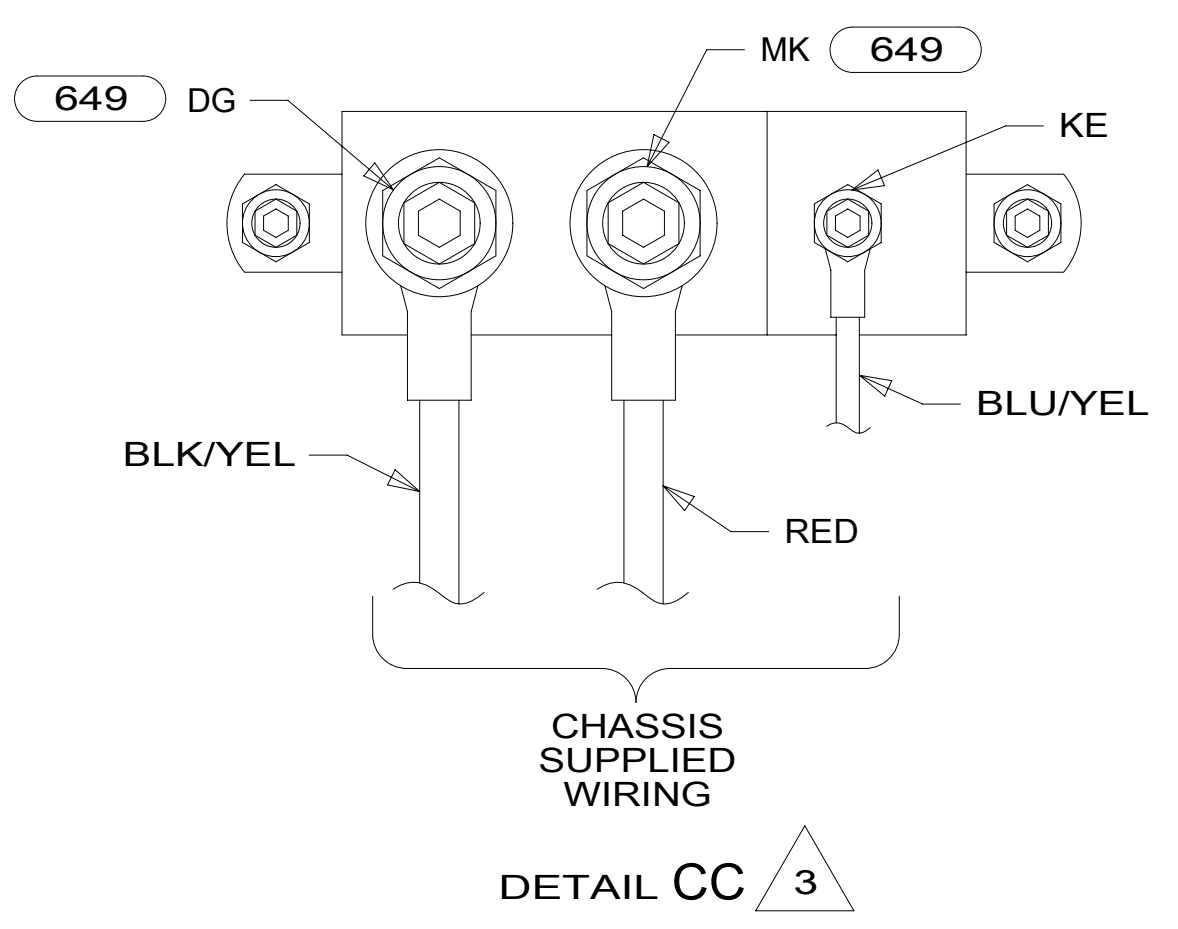
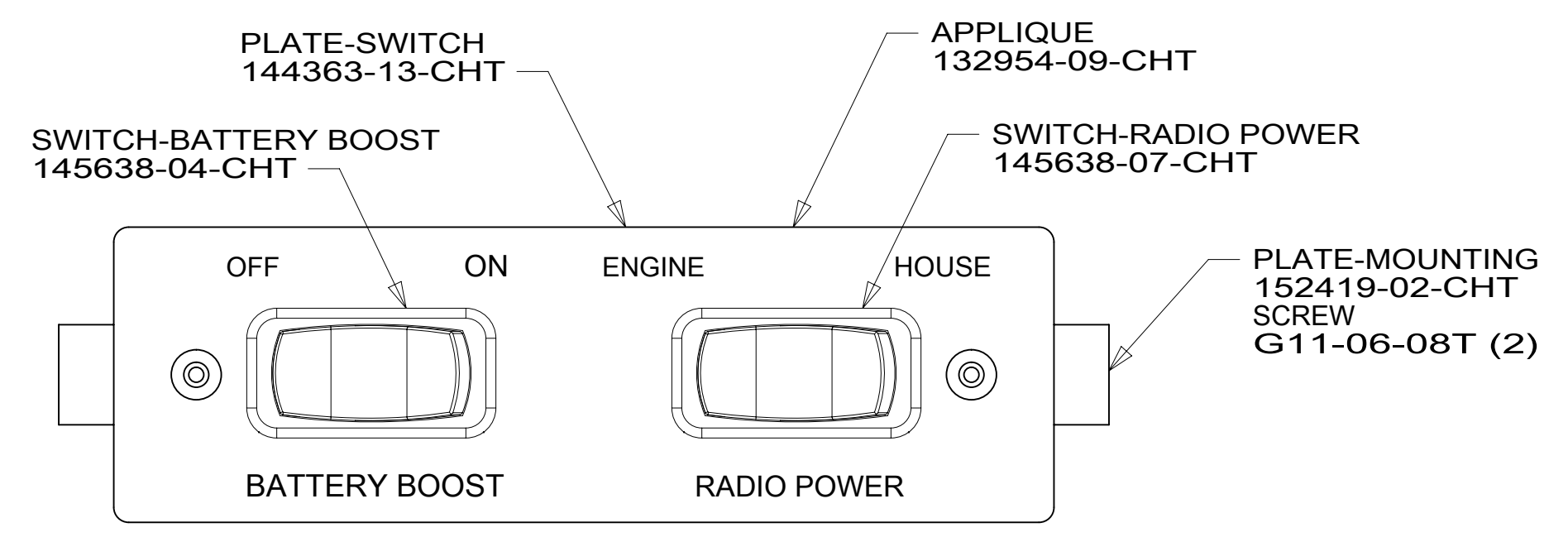
FOR ELECTRICAL TORQUE SPECIFICATIONS SEE DWG NO. 128783-01-000

FOR ELECTRICAL CALLOUTS SEE DWG NO. 121339-01-000

- 15D INFOTAINMENT CENTER/GPS
- 22W BATTERY-SECOND
- 12X BATTERY-ONE
- 1MV MERCEDES-11030#DSL,4CYL,VAN
- 1MM MERCEDES-11,030# DIESEL, VAN
- 265 CODES/STANDARDS-CSA/CMVSS
- 1B1 CODES/STANDARDS USA

|                                    |         |        |     |
|------------------------------------|---------|--------|-----|
| 1B1                                | 265     | 1MM    | 1MV |
| FIRST USED                         |         |        |     |
| <b>15 170X</b>                     |         |        |     |
| DO NOT SCALE DRAWING               |         |        |     |
| TITLE: <b>WIRING INSTL-CHASSIS</b> |         |        |     |
| SHEET 2                            | PART NO | 190241 | REV |

\*190241\*



- NOTES:
- 5 PLUG CHASSIS SUPPLIED 2-PIN HOUSING INTO CAN-BUS TERMINAL BLOCK.
  - 4 SEE CHASSIS ELECTRICAL BOX ASM FOR ADDITIONAL INFORMATION.
  - 3 CONNECTION POINT IS LOCATED UNDER DRIVERS SEAT.
  - 2 LOCATED IN DRIVERS SIDE KICKER PANEL.
  - 1. SECURE CONDUIT 41953, TAB AS REQUIRED, OVER ALL WIRES IN CONTACT WITH SHARP EDGES.

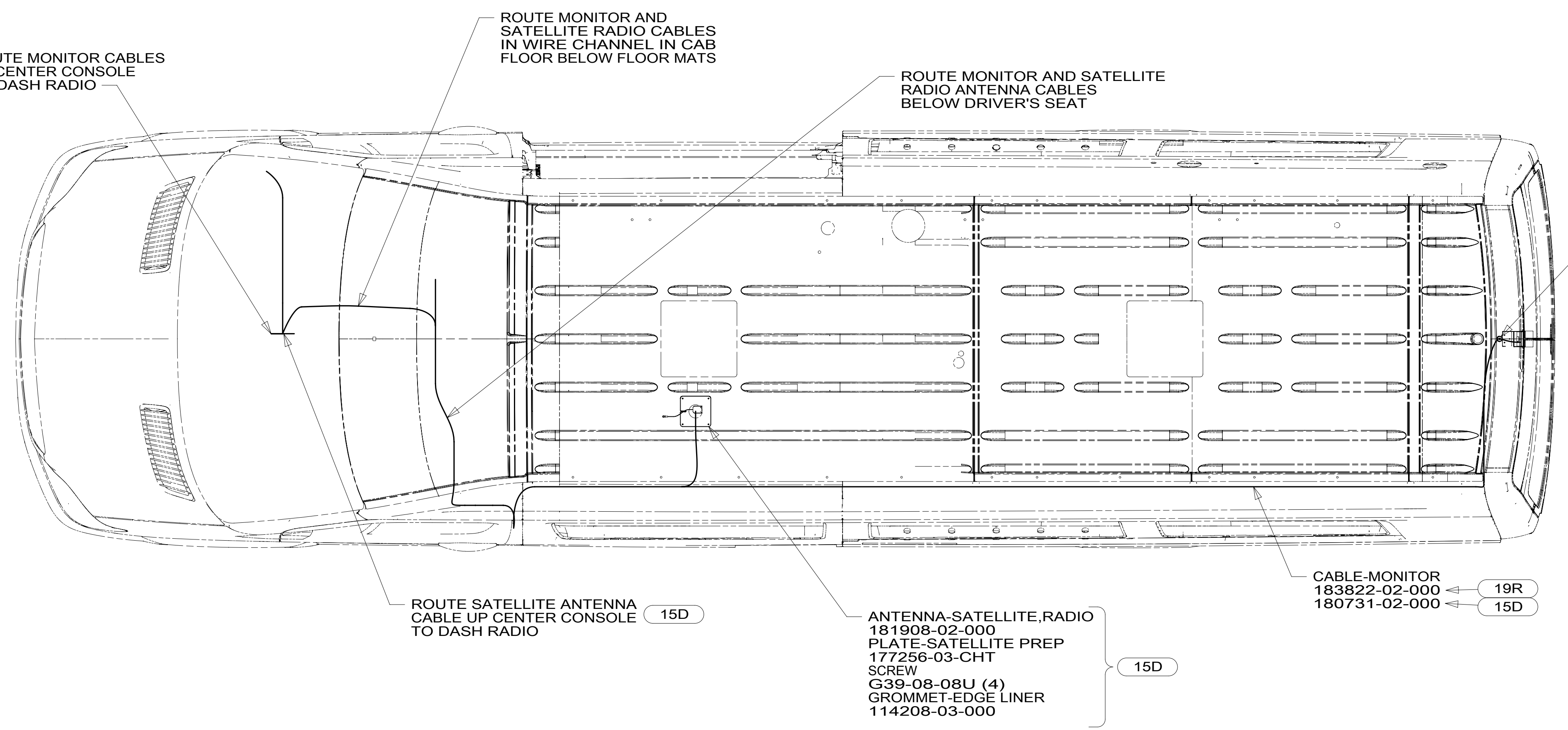
FOR ELECTRICAL TORQUE SPECIFICATIONS SEE DWG NO. 128783-01-000

FOR ELECTRICAL CALLOUTS SEE DWG NO. 121339-01-000

|     |                              |
|-----|------------------------------|
| 649 | RENTAL - CANADREAM           |
| 1MV | MERCEDES-11030#DSL,4CYL,VAN  |
| 1MM | MERCEDES-11,030# DIESEL, VAN |
| 265 | CODES/STANDARDS-CSA/CMVSS    |
| 1B1 | CODES/STANDARDS USA          |

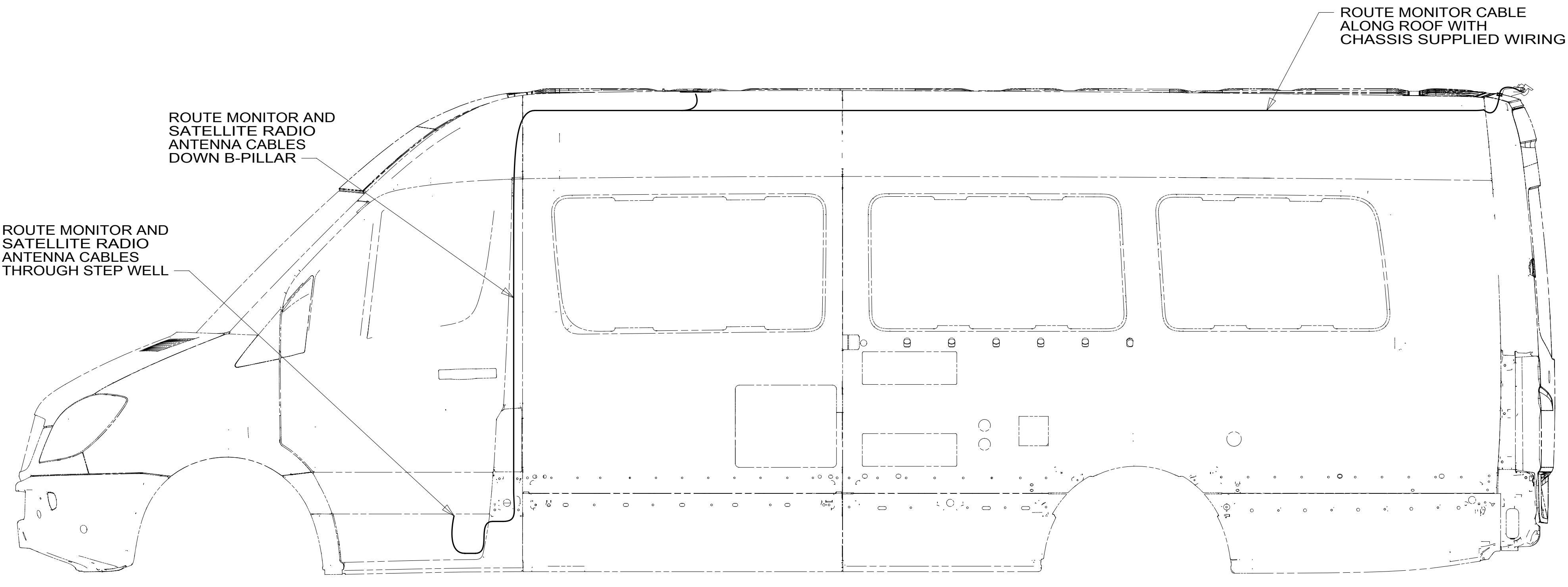
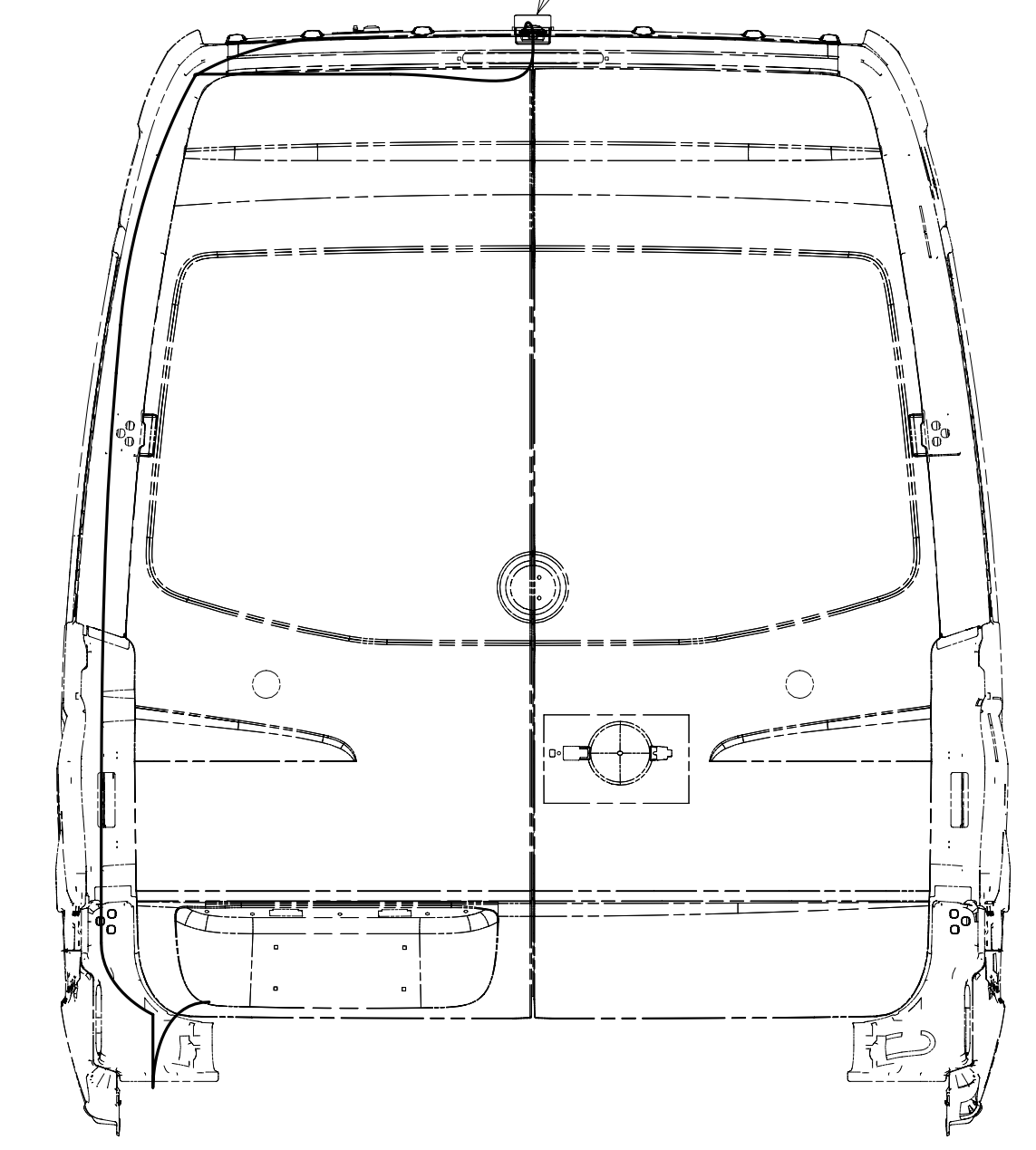
|                      |                      |
|----------------------|----------------------|
| FIRST USED           | 15 170X              |
| DO NOT SCALE DRAWING |                      |
| TITLE:               | WIRING INSTL-CHASSIS |
| SHEET 3              | PART NO 190241 REV   |
| 1 20-May-2015        |                      |

\*190241\*



GROMMET 71015-44-000 SEAL 15D OR 19R

CAMERA-REARVIEW 183822-01-000 19R  
 BRACKET 176654-17-CHT 15D  
 RIVET 179275-02-CHT  
 RIVET 163664-01-CHT (3)



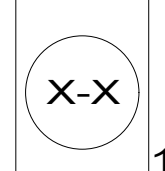
- 15D GPS-NAVIGATION SYSTEM
- 19R RADIO/REARVIEW MONITOR SYS
- 1MV MERCEDES-11030#DSL,4CYL,VAN
- 1MM MERCEDES-11,030# DIESEL, VAN
- 265 CODES/STANDARDS-CSA/CMVSS
- 1B1 CODES/STANDARDS USA

1B1 265 1MM 1MV

|                                    |                       |     |
|------------------------------------|-----------------------|-----|
| FIRST USED                         | <b>15 170X</b>        |     |
| <b>DO NOT SCALE DRAWING</b>        |                       |     |
| <b>TITLE: WIRING INSTL-CHASSIS</b> |                       |     |
| SHEET 4                            | PART NO <b>190241</b> | REV |

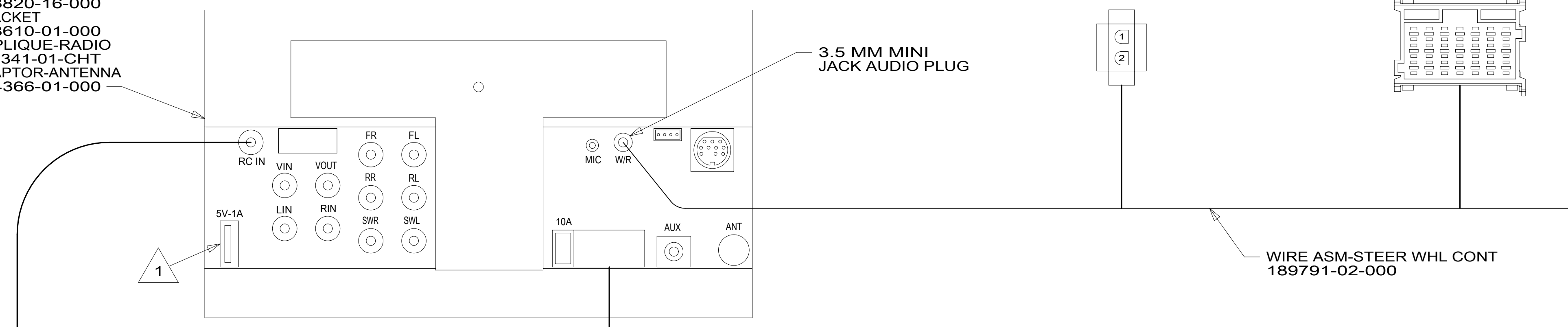
FOR ELECTRICAL TORQUE SPECIFICATIONS SEE DWG NO. 128783-01-000

FOR ELECTRICAL CALLOUTS SEE DWG NO. 121339-01-000

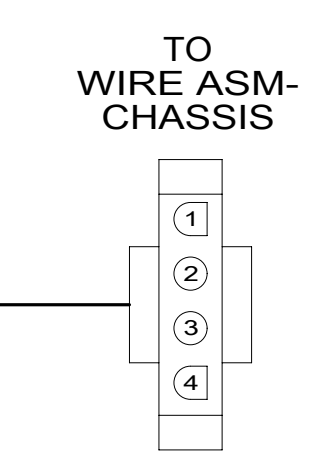
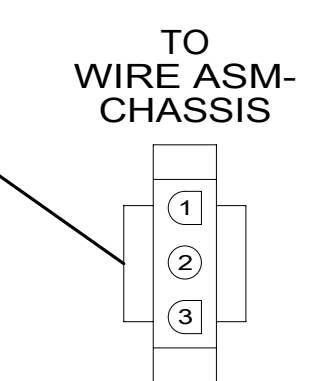
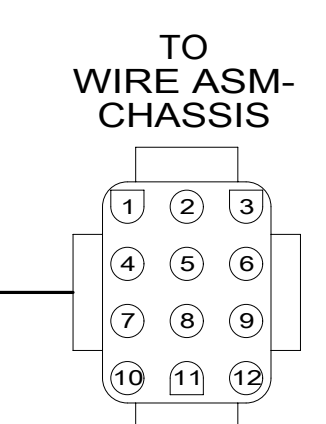


\*190241\*

RADIO-AM/FM/DVD,  
TOUCH,2-DIN  
183820-16-000  
BRACKET  
178610-01-000  
APPLIQUE-RADIO  
185341-01-CHT  
ADAPTOR-ANTENNA  
114366-01-000



HARNESS-RADIO,12 PIN  
183820-19-000

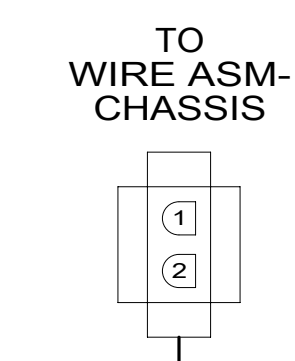


WIRE ASM-CAMERA ADAPTOR  
185347-03-000

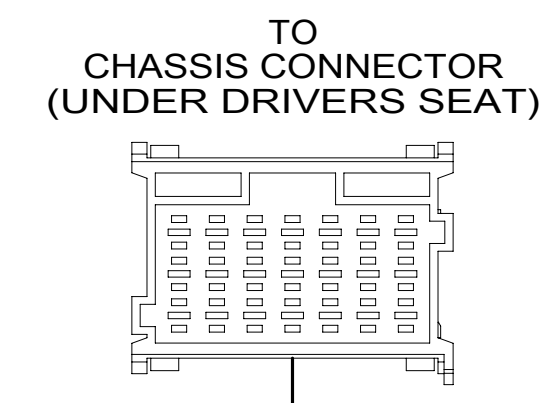
HARNESS-CAMERA ADAPTER  
183820-03-000

CABLE-CAMERA,20M  
(REF)

TO REAR CAMERA

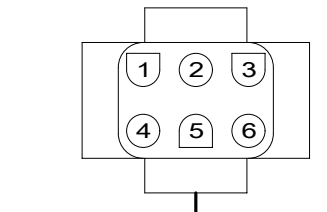
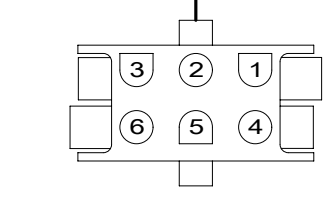


TO WIRE ASM-CHASSIS

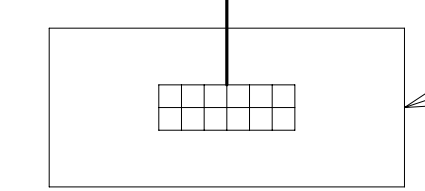


TO CHASSIS CONNECTOR  
(UNDER DRIVERS SEAT)

WIRE ASM-STEER WHL CONT  
189791-02-000



HARNESS-SWC  
189850-02-000



MODULE-SWC,RADIO  
(REF)

1 PLUG USB CABLE SUPPLIED WITH RADIO INTO LEAD ON BACK OF RADIO MARKED 'USB'. DRILL 16MM DIAMETER HOLE IN THE TRAY ABOVE RADIO. THE HOLE IS TO BE LOCATED ON THE PASSENGER SIDE OF THE TRAY 50MM FROM THE END NEAREST THE WINDSHIELD. ROUTE CABLE INTO TRAY AND LEAVE 200MM OF CABLE IN THE TRAY.

NOTES:

FOR ELECTRICAL TORQUE SPECIFICATIONS SEE DWG NO. 128783-01-000

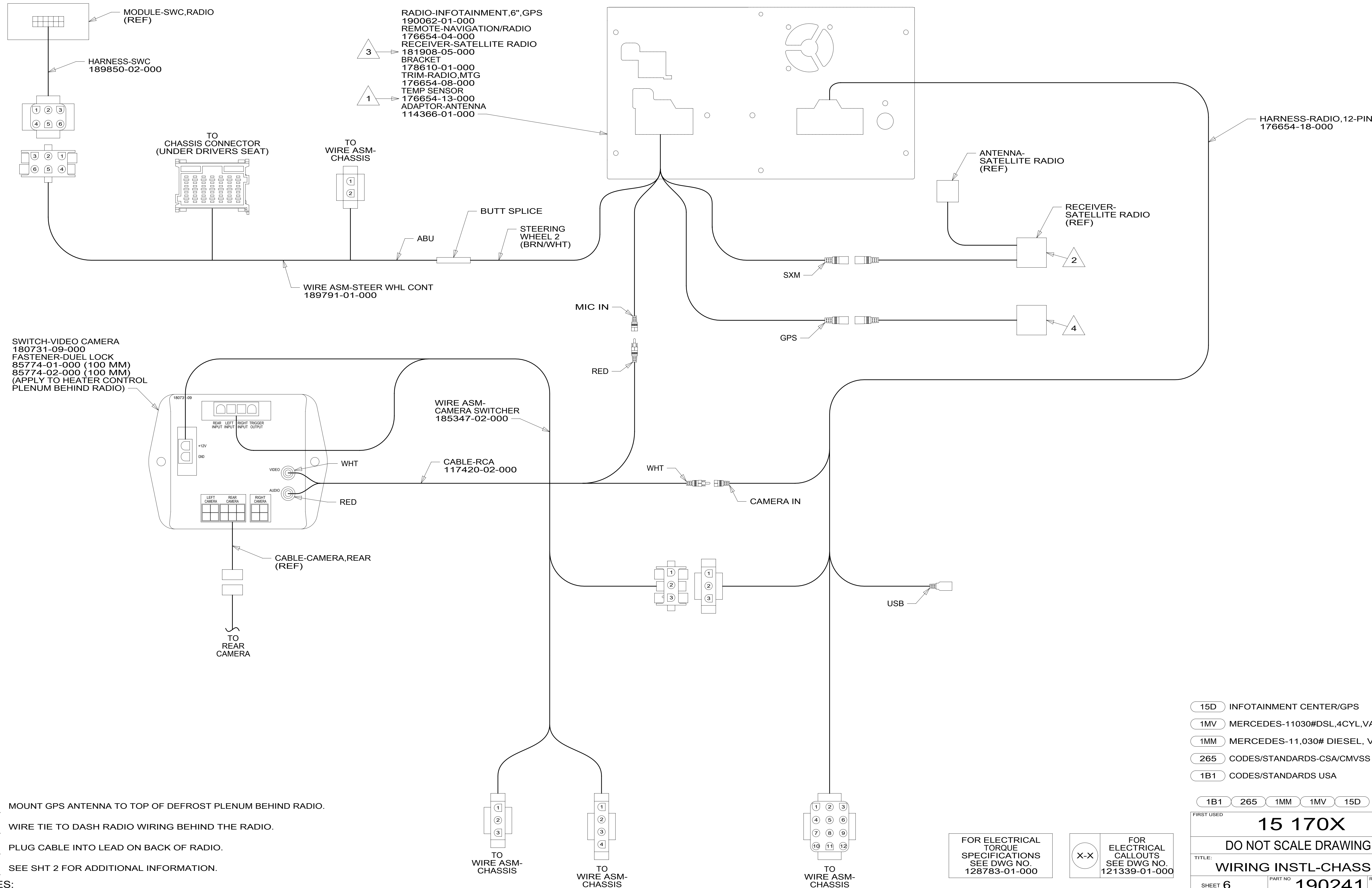
FOR ELECTRICAL CALLOUTS SEE DWG NO. 121339-01-000

- 19R RADIO/REARVIEW MONITOR SYS
- 1MV MERCEDES-11030#DSL,4CYL,VAN
- 1MM MERCEDES-11,030# DIESEL, VAN
- 265 CODES/STANDARDS-CSA/CMVSS
- 1B1 CODES/STANDARDS USA

1B1 265 1MM 1MV 19R

|                                    |                       |     |
|------------------------------------|-----------------------|-----|
| FIRST USED                         | <b>15 170X</b>        |     |
| DO NOT SCALE DRAWING               |                       |     |
| TITLE: <b>WIRING INSTL-CHASSIS</b> |                       |     |
| SHEET 5                            | PART NO <b>190241</b> | REV |

\*190241\*



- NOTES:
- 4 MOUNT GPS ANTENNA TO TOP OF DEFROST PLENUM BEHIND RADIO.
  - 3 WIRE TIE TO DASH RADIO WIRING BEHIND THE RADIO.
  - 2 PLUG CABLE INTO LEAD ON BACK OF RADIO.
  - 1 SEE SHT 2 FOR ADDITIONAL INFORMATION.

- 15D INFOTAINMENT CENTER/GPS
- 1MV MERCEDES-11030#DSL,4CYL,VAN
- 1MM MERCEDES-11,030# DIESEL, VAN
- 265 CODES/STANDARDS-CSA/CMVSS
- 1B1 CODES/STANDARDS USA

|                                    |         |                |     |
|------------------------------------|---------|----------------|-----|
| FIRST USED                         |         | <b>15 170X</b> |     |
| <b>DO NOT SCALE DRAWING</b>        |         |                |     |
| <b>TITLE: WIRING INSTL-CHASSIS</b> |         |                |     |
| SHEET 6                            | PART NO | <b>190241</b>  | REV |
|                                    |         | 1 20-May-2015  |     |

FOR ELECTRICAL TORQUE SPECIFICATIONS SEE DWG NO. 128783-01-000

FOR ELECTRICAL CALLOUTS SEE DWG NO. 121339-01-000

\*190241\*