



DANGER

Danger of electrical shock, burns or death. Always remove all power sources before attempting any repair, service or diagnostic work. Power can be present from shore power, generator, inverter or battery. All power sources must be disabled and secured before performing any service.

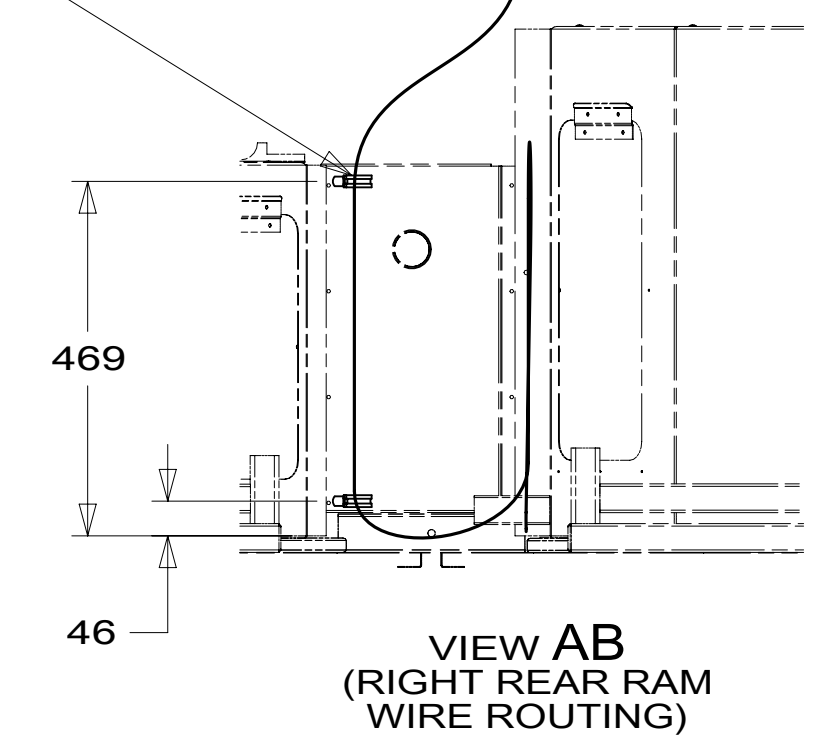
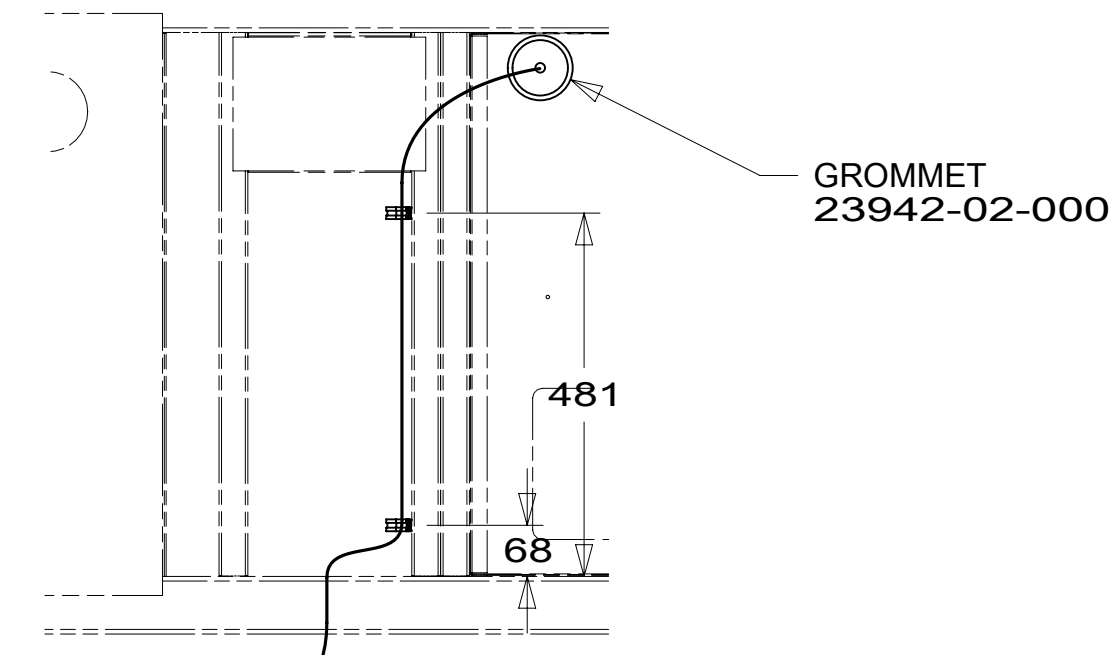
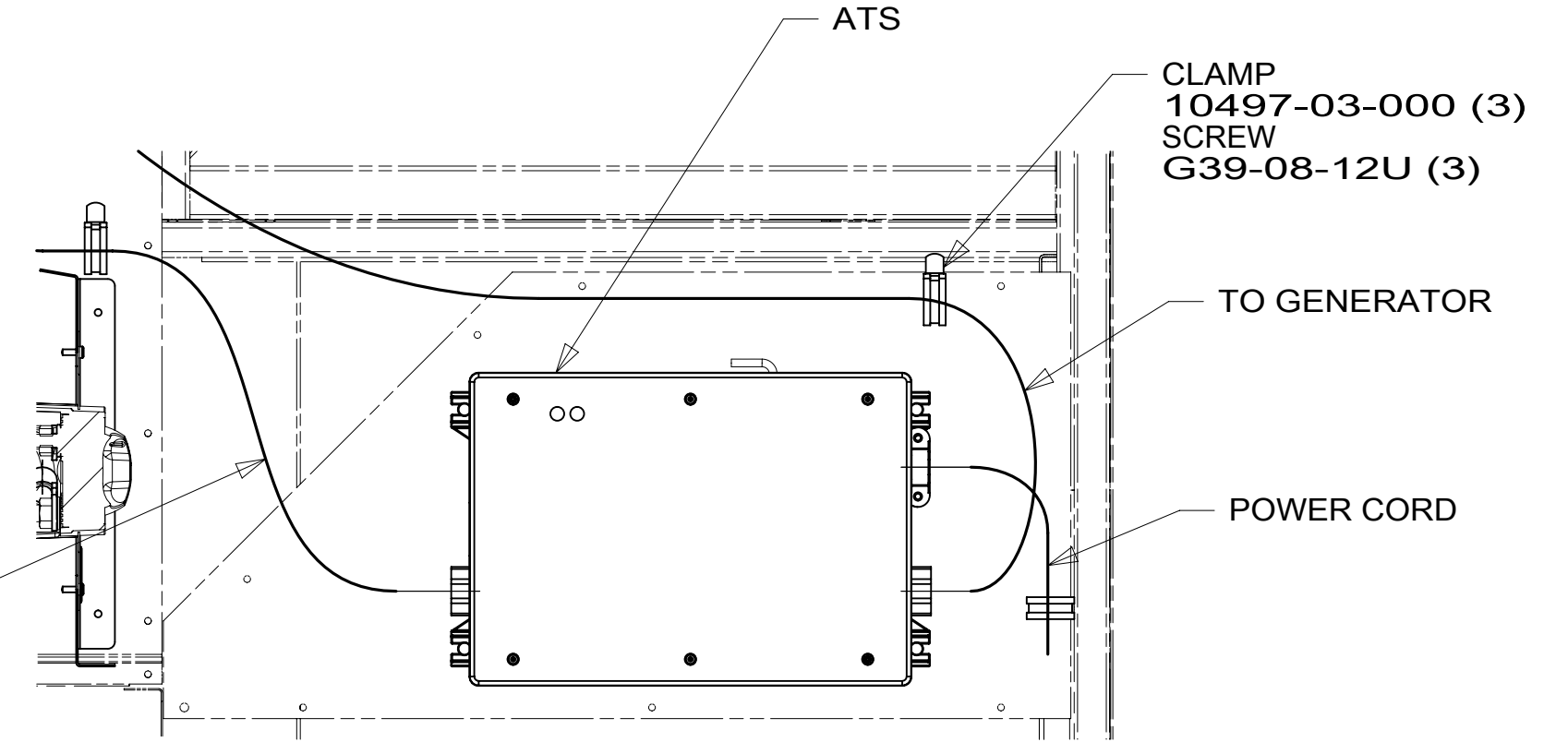
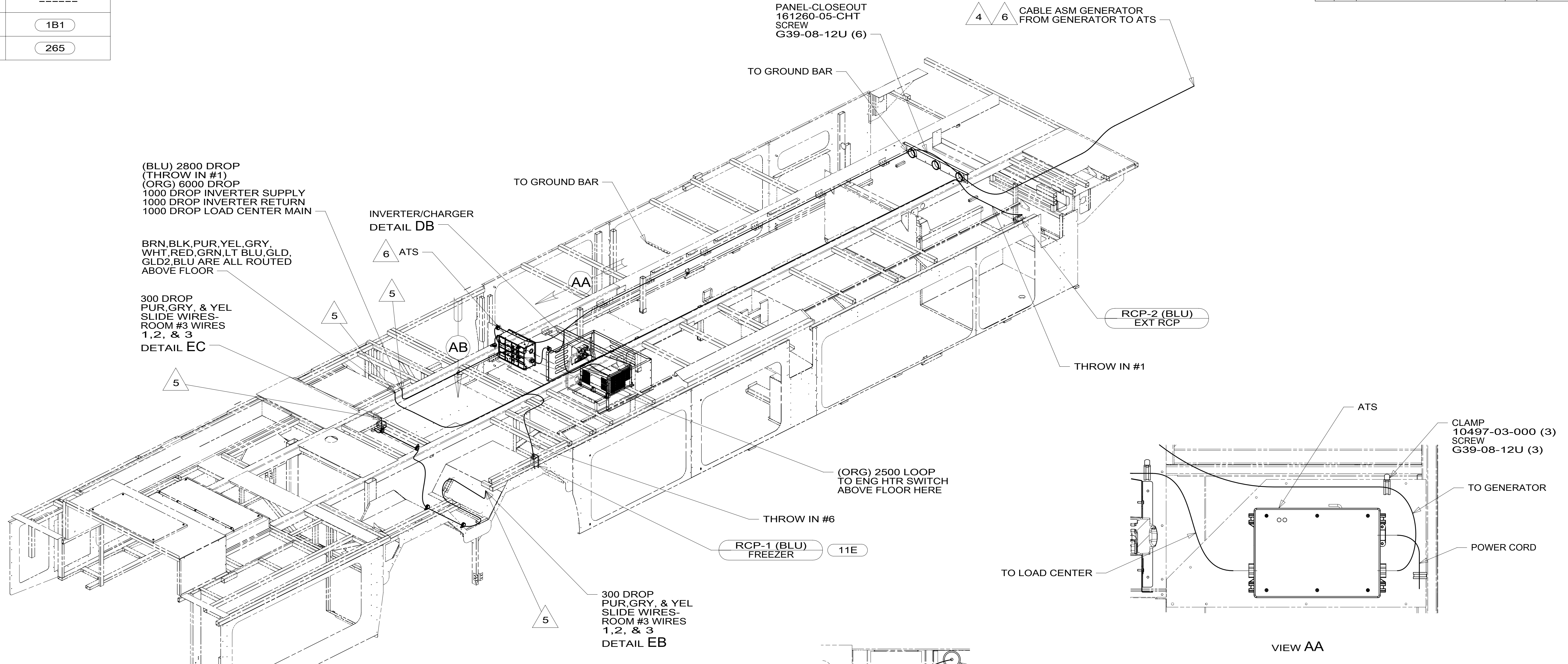


CAUTION

If you lack the skills, tools or equipment to perform diagnostic or repair work leave such work to an authorized Winnebago Industries dealer or other qualified shop.

DRAWING NO	FEATURE
190143-01	-----
190143-12	(1B1)
190143-16	(265)

RELEASE	REV/DATE	DWG NO	190143
REV ZONE	REVISION RECORD	DATE	DFT-ORIG



(BLU) 2800 DROP
(THROW IN #1)
(ORG) 6000 DROP
1000 DROP INVERTER SUPPLY
1000 DROP INVERTER RETURN
1000 DROP LOAD CENTER MAIN

BRN,BLK,PUR,YEL,GRY,
WHT,RED,GRN,LT BLU,GLD,
GLD2,BLU ARE ALL ROUTED
ABOVE FLOOR

300 DROP
PUR,GRY, & YEL
SLIDE WIRES-
ROOM #3 WIRES
1,2, & 3
DETAIL EC

INVERTER/CHARGER
DETAIL DB

6 ATs

5

5

5

(ORG) 2500 LOOP
TO ENG HTR SWITCH
ABOVE FLOOR HERE

THROW IN #6

RCP-1 (BLU)
FREEZER 11E

300 DROP
PUR,GRY, & YEL
SLIDE WIRES-
ROOM #3 WIRES
1,2, & 3
DETAIL EB

- 6 SEE LOAD CENTER/ATS ASM FOR ADDITIONAL INFORMATION.
- 5 TO ABOVE FLOOR.
- 4 SEE GENERATOR INSTALLATION FOR ADDITIONAL INFORMATION.

3. WIRES THAT REST ON WIRE TRAYS ARE TO BE TIED DOWN WITH WIRE TIE 8343-04-000.
2. CLAMP TO FLOOR SUPPORT TUBES AS NECESSARY WITH CLAMP 10497-01-000.
1. AT MINIMUM ALL WIRES TO BE SUPPORTED AND SECURED PER CODE REQUIREMENTS. USE CLAMP 10495 OR 10497 OR WIRE TIE 8343 OR 108046 AND SCREW G67-XX-XXX OR G56-XX-XXX AS APPROPRIATE FOR INSTALLATION.

NOTES:

- 11E REFRIGERATOR/FREEZER PORTABL
- 265 CODES/STANDARDS-CSA/CMVSS
- 1B1 CODES/STANDARDS USA

1B1 265

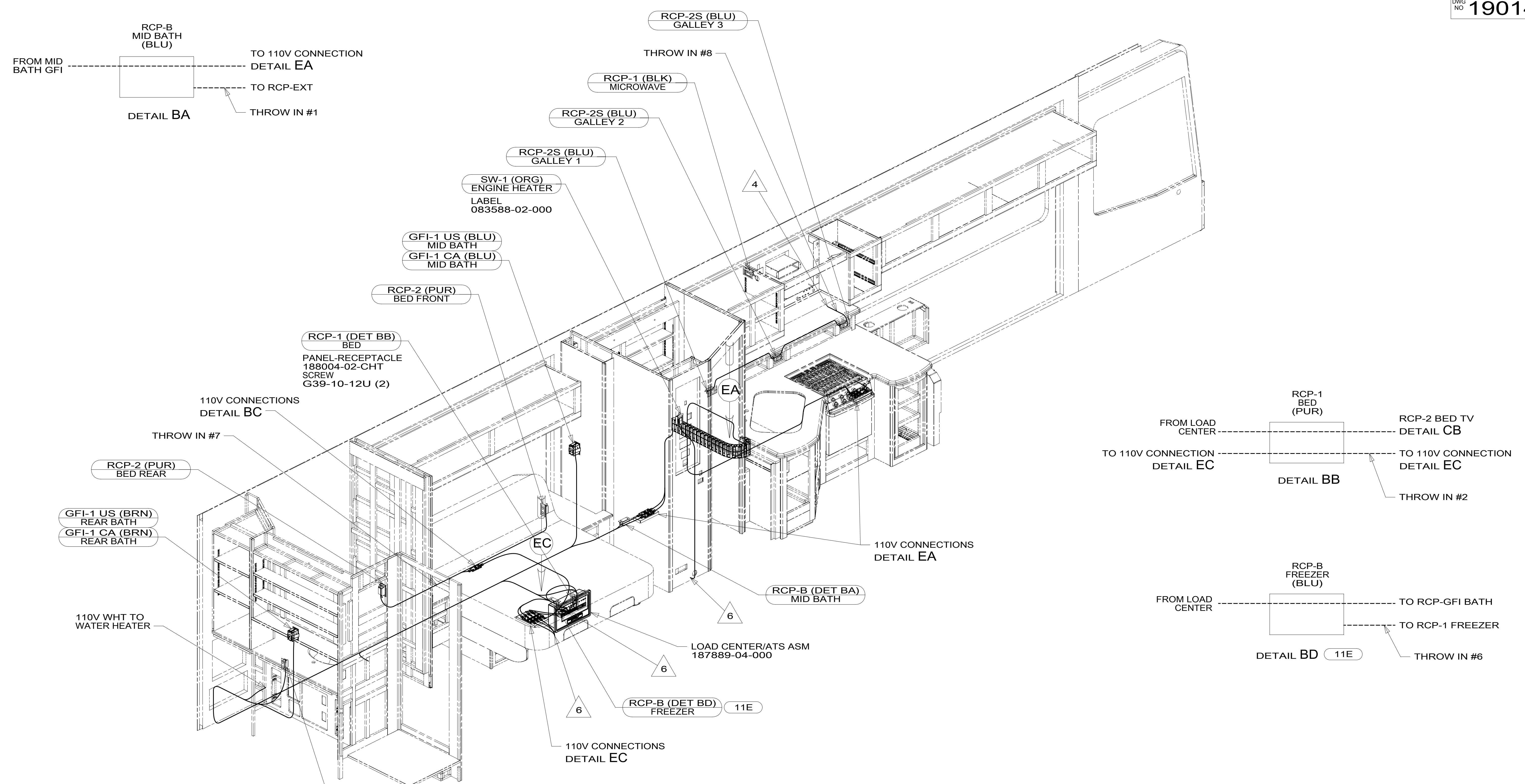
WINNEBAGO COPYRIGHT 2014 WINNEBAGO INDUSTRIES, INC.

DFT-ORIG	ORIG. DATE
CHKR	ALL DIMENSIONS ARE IN MILLIMETERS
P.E.	FIRST USED
M.E.	15 P42E
DSNR	MATERIAL:
UNSPECIFIED TOLERANCES ARE:	
WHOLE DIM (X)	: 3
ONE-PLACE (X.X)	: 1.5
TWO-PLACE (X.XX)	: 0.50
ANGLE	: 1°
THIRD ANGLE PROJECTION	
DO NOT SCALE DRAWING	REFER TO ES0018 FOR FASTENER TIGHTENING GUIDELINES
TITLE: WIRING INSTL-BODY, 110V	
SHEET 1 OF 6	PART NO 190143 REV

FOR ELECTRICAL TORQUE SPECIFICATIONS SEE DWG NO. 128783-01-000

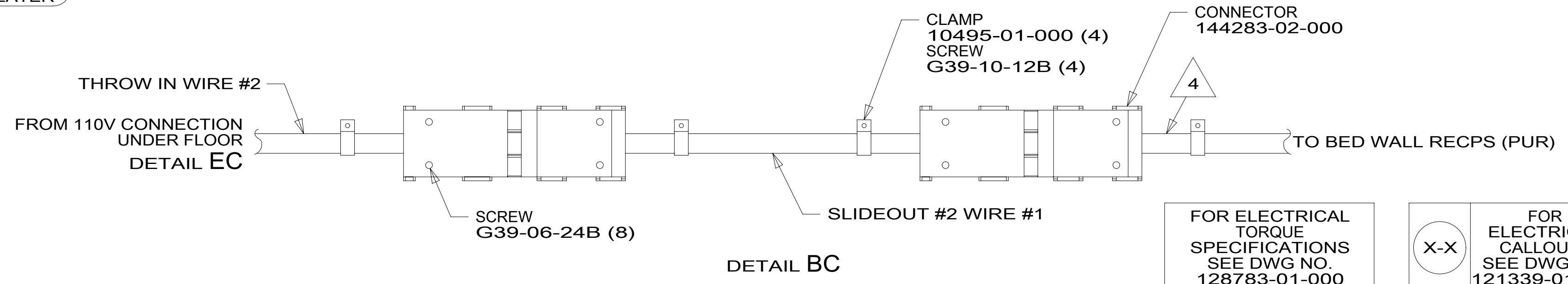
FOR ELECTRICAL CALLOUTS SEE DWG NO. 121339-01-000

190143



- 2. ALL 110V WIRES TO BE CLAMPED WITH CLAMP 10495-05-000 WITHIN 200MM OF OUTLET BOXES, USE SCREW G67-10-12B.
- 1. AT MINIMUM ALL WIRES TO BE SUPPORTED AND SECURED PER CODE REQUIREMENTS. USE CLAMP 10495 OR 10497 OR WIRE TIE 8343 OR 108046 AND SCREW G67-XX-XXX OR G56-XX-XXX AS APPROPRIATE FOR INSTALLATION.

NOTES:



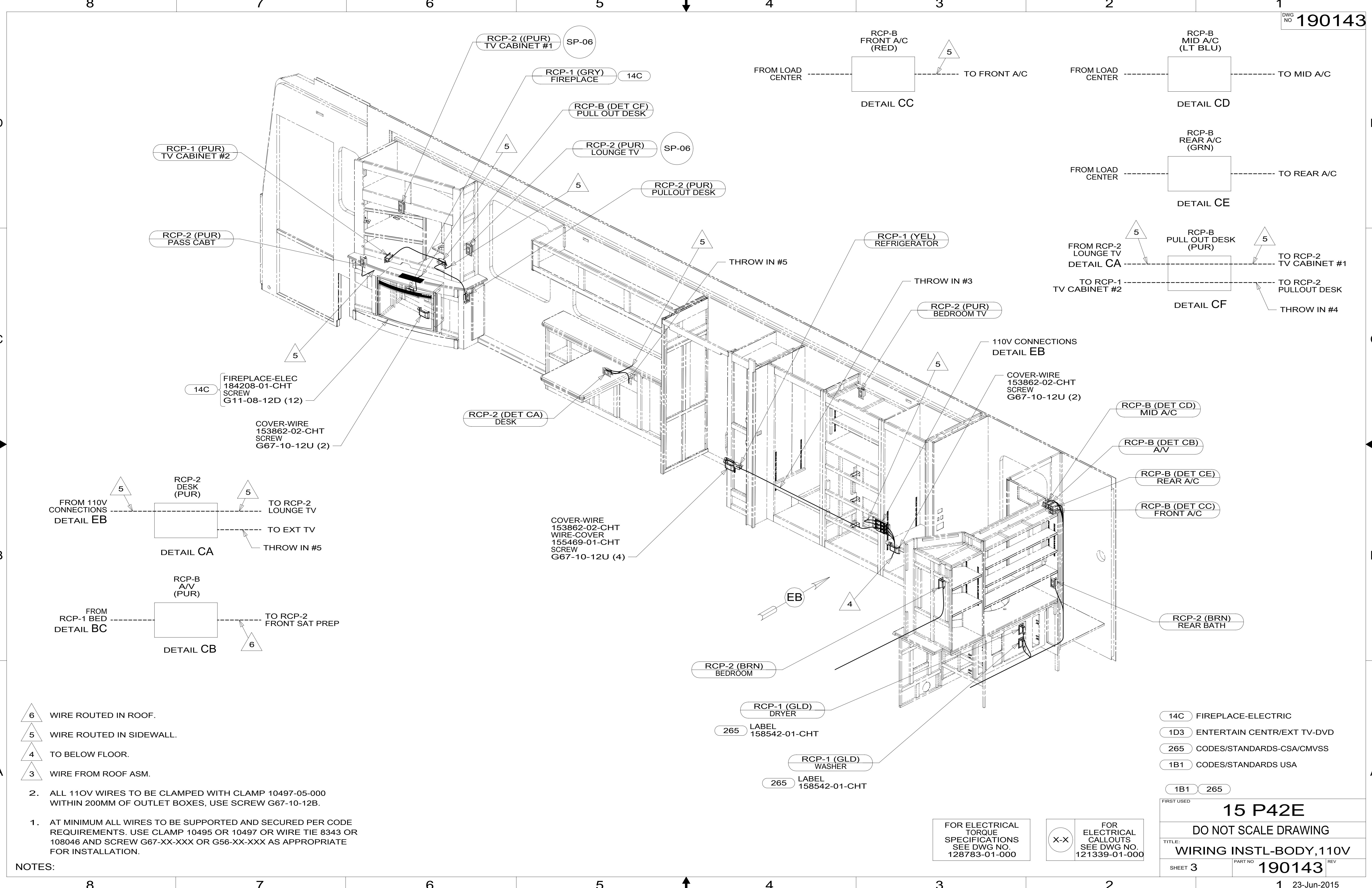
FOR ELECTRICAL TORQUE SPECIFICATIONS SEE DWG NO. 128783-01-000

FOR ELECTRICAL CALLOUTS SEE DWG NO. 121339-01-000

- 11E REFRIGERATOR/FREEZER PORTABL
- 265 CODES/STANDARDS-CSA/CMVSS
- 1B1 CODES/STANDARDS USA

FIRST USED	15 P42E	
DO NOT SCALE DRAWING		
TITLE:	WIRING INSTL-BODY, 110V	
SHEET 2	PART NO. 190143	REV.

190143



- 6 WIRE ROUTED IN ROOF.
- 5 WIRE ROUTED IN SIDEWALL.
- 4 TO BELOW FLOOR.
- 3 WIRE FROM ROOF ASM.

2. ALL 110V WIRES TO BE CLAMPED WITH CLAMP 10497-05-000 WITHIN 200MM OF OUTLET BOXES, USE SCREW G67-10-12B.

1. AT MINIMUM ALL WIRES TO BE SUPPORTED AND SECURED PER CODE REQUIREMENTS. USE CLAMP 10495 OR 10497 OR WIRE TIE 8343 OR 108046 AND SCREW G67-XX-XXX OR G56-XX-XXX AS APPROPRIATE FOR INSTALLATION.

- 14C FIREPLACE-ELECTRIC
- 1D3 ENTERTAIN CENTR/EXT TV-DVD
- 265 CODES/STANDARDS-CSA/CMVSS
- 1B1 CODES/STANDARDS USA

1B1 265

FIRST USED

15 P42E

DO NOT SCALE DRAWING

TITLE: **WIRING INSTL-BODY, 110V**

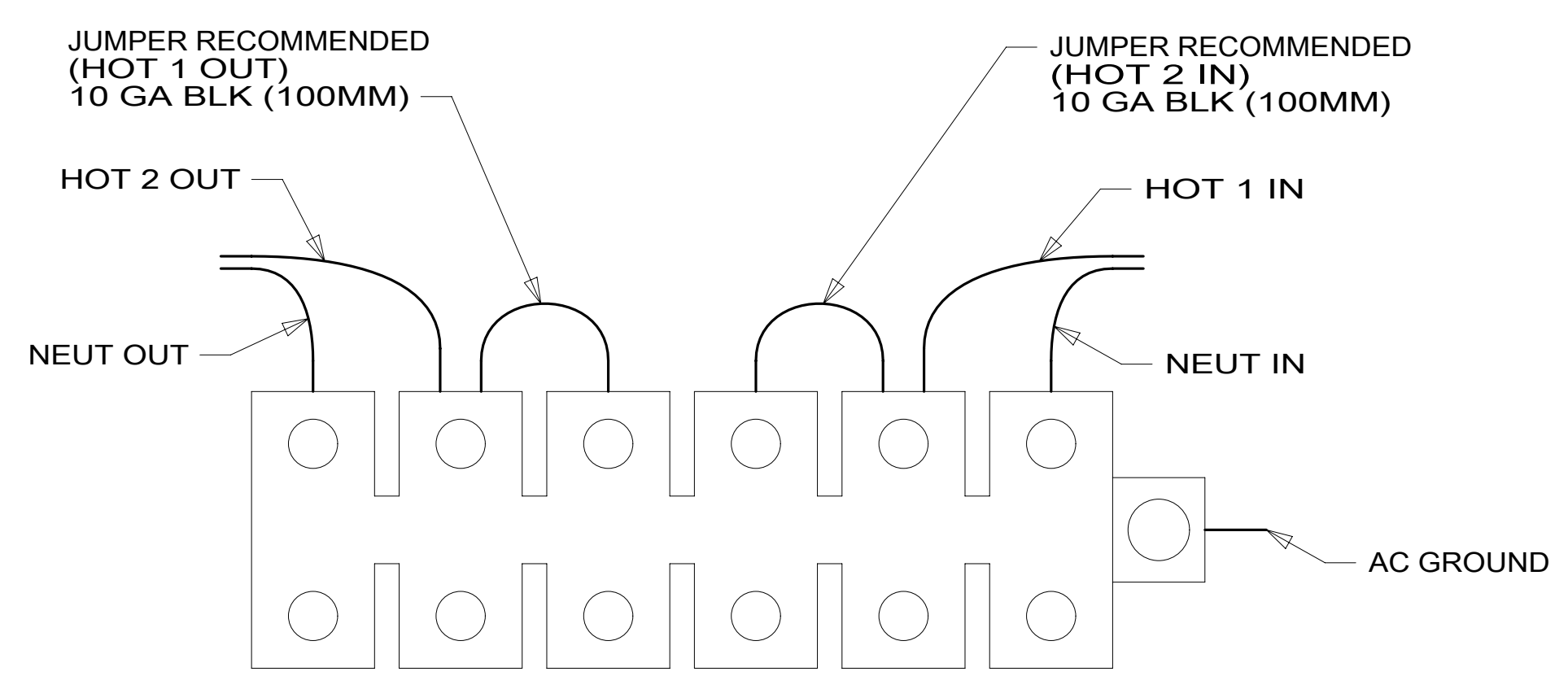
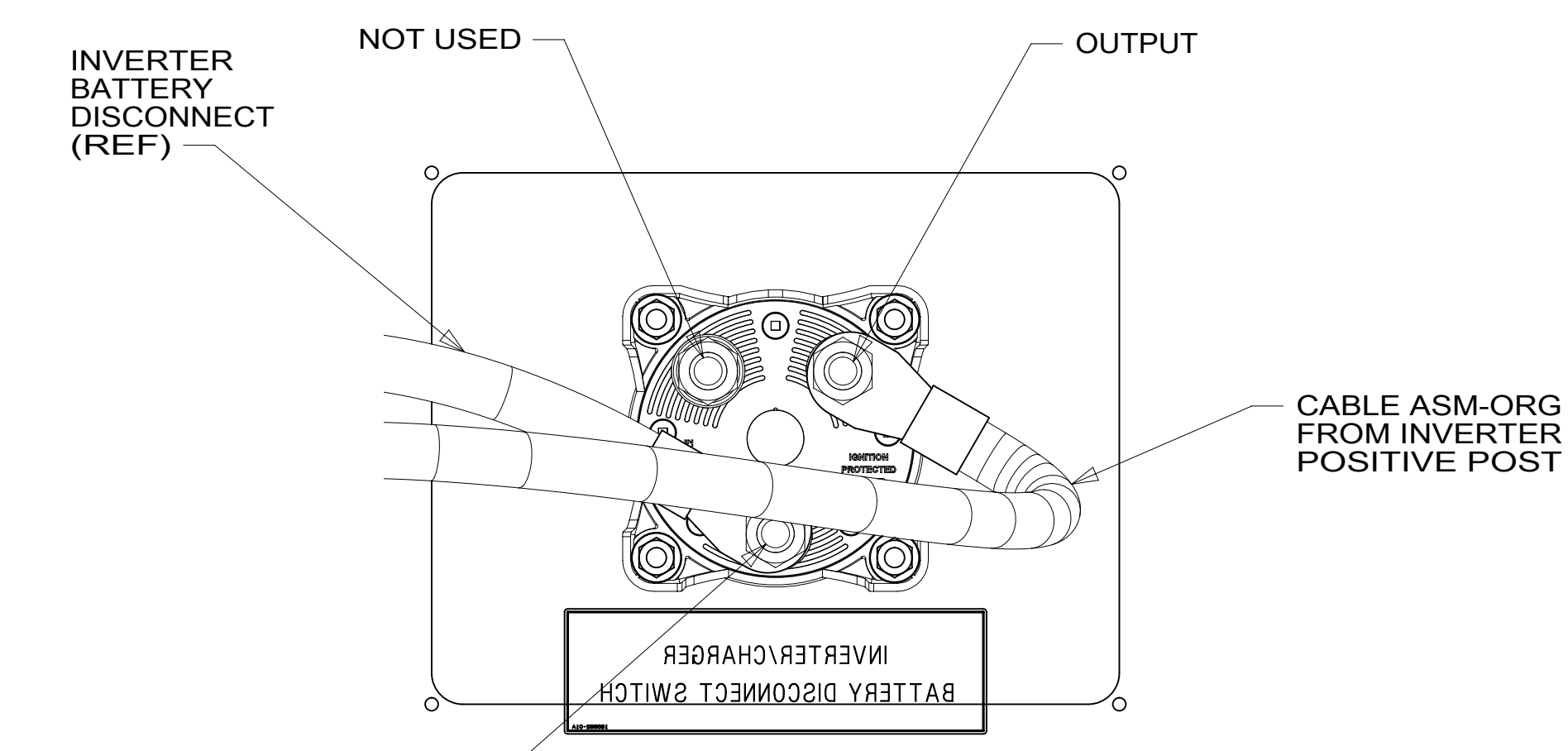
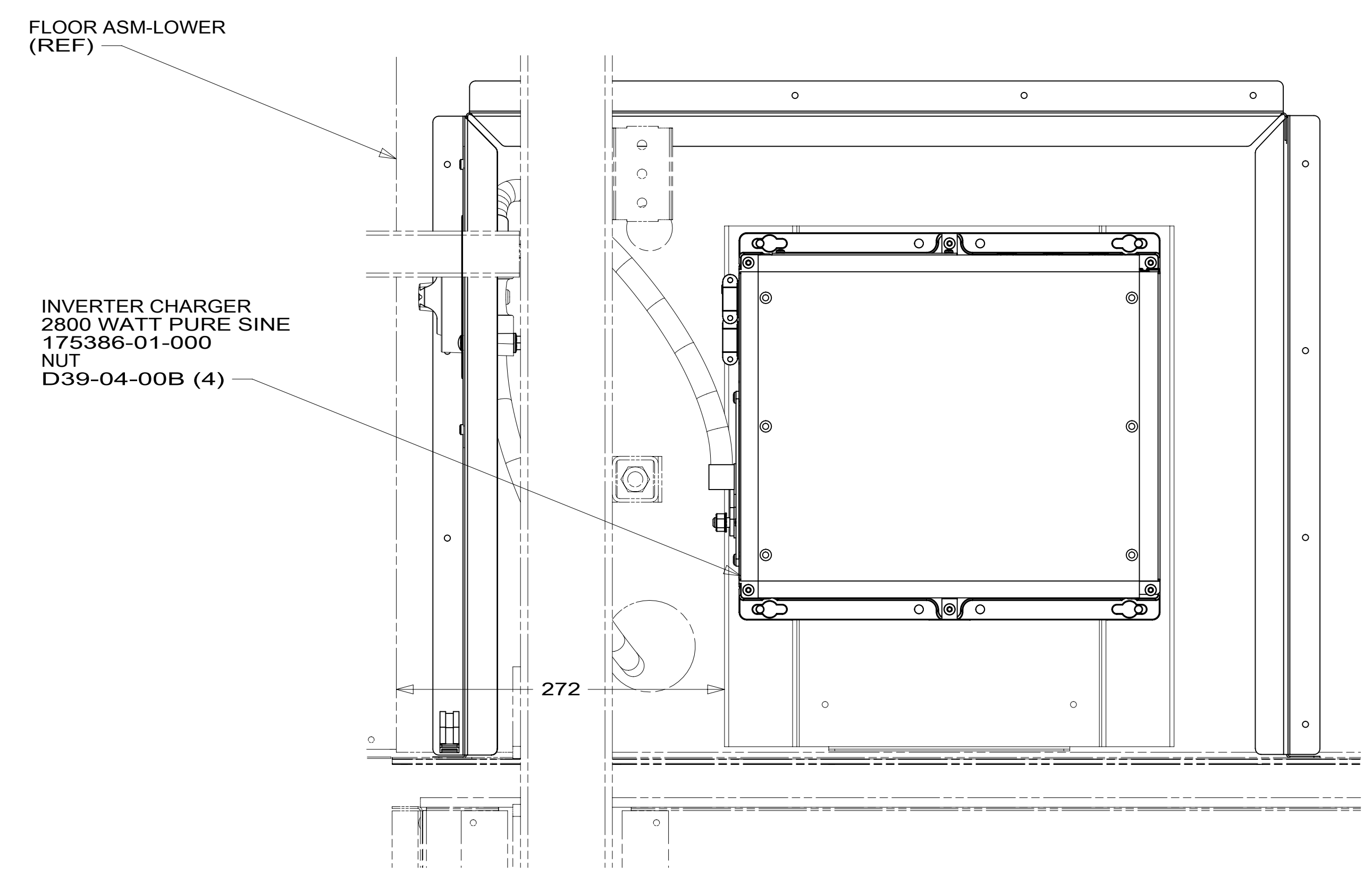
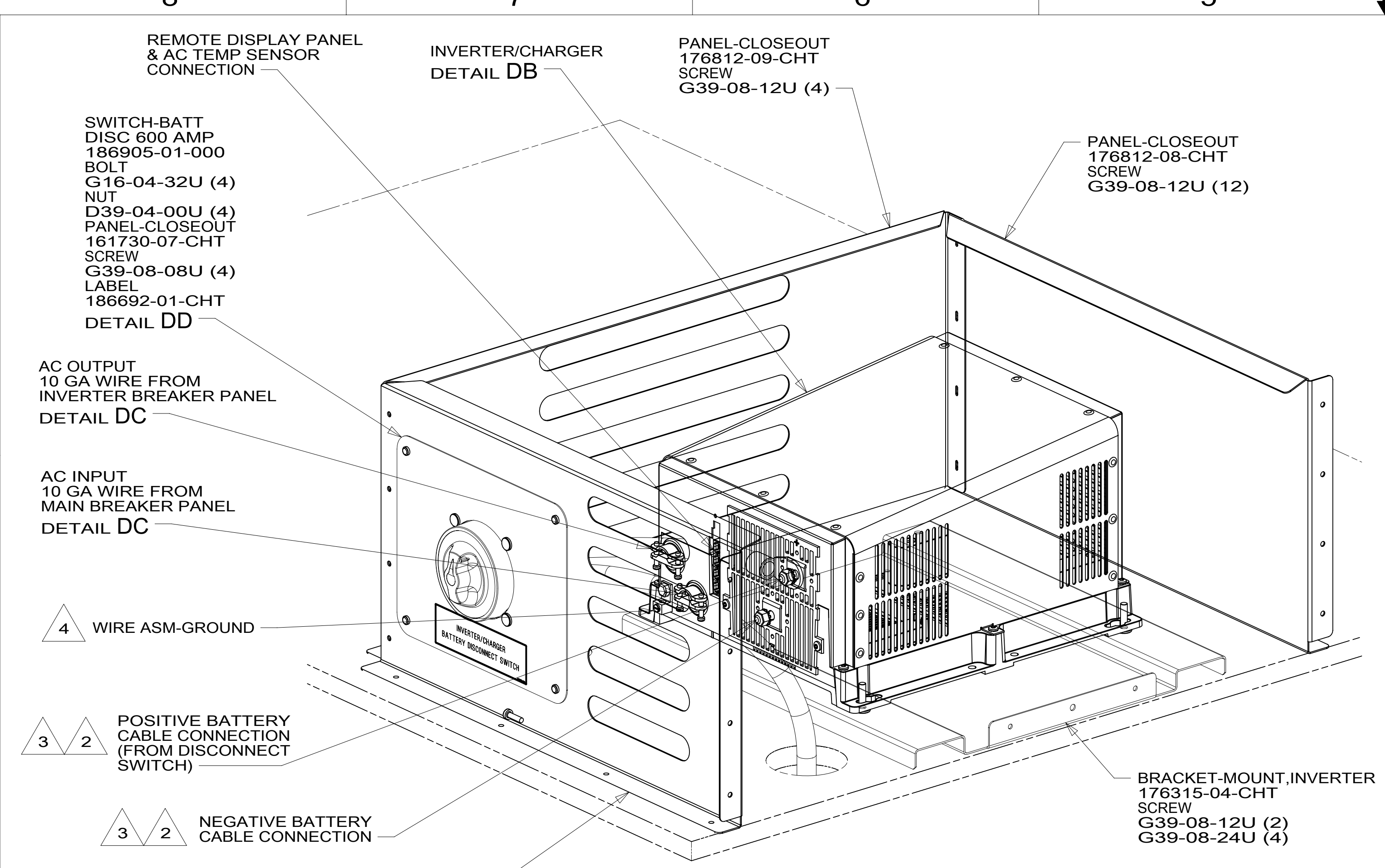
SHEET 3 PART NO **190143** REV

1 23-Jun-2015

FOR ELECTRICAL TORQUE SPECIFICATIONS SEE DWG NO. 128783-01-000

FOR ELECTRICAL CALLOUTS SEE DWG NO. 121339-01-000

190143



- 8 REMOTE DISPLAY PANEL & AC TEMP SENSOR CONNECTION
- 7 INVERTER/CHARGER DETAIL DB
- 6 PANEL-CLOSEOUT 176812-09-CHT SCREW G39-08-12U (4)
- 5 PANEL-CLOSEOUT 176812-08-CHT SCREW G39-08-12U (12)
- 4 SWITCH-BATT DISC 600 AMP 186905-01-000 BOLT G16-04-32U (4) NUT D39-04-00U (4) PANEL-CLOSEOUT 161730-07-CHT SCREW G39-08-08U (4) LABEL 186692-01-CHT DETAIL DD
- AC OUTPUT 10 GA WIRE FROM INVERTER BREAKER PANEL DETAIL DC
- AC INPUT 10 GA WIRE FROM MAIN BREAKER PANEL DETAIL DC
- 4 WIRE ASM-GROUND
- 3 2 POSITIVE BATTERY CABLE CONNECTION (FROM DISCONNECT SWITCH)
- 3 2 NEGATIVE BATTERY CABLE CONNECTION
- BRACKET-MOUNT, INVERTER 176315-04-CHT SCREW G39-08-12U (2) G39-08-24U (4)
- PANEL-CLOSEOUT 176812-10-CHT SCREW G39-08-12U (10)

- FLOOR ASM-LOWER (REF)
- INVERTER CHARGER 2800 WATT PURE SINE 175386-01-000 NUT D39-04-00B (4)

- 4 SEE LOAD CENTER/ATS ASM FOR ADDITIONAL INFORMATION.
- 3 DO NOT USE POWER/AIR TOOL TO INSTALL NUT. TORQUE TO 10-12 FT LBS.
- 2 SEE WIRING INSTL-CHASSIS FOR ADDITIONAL INFORMATION.

NOTES:
1. WIRE MUST BE ROUTED THROUGH CLAMPS AS SHOWN.

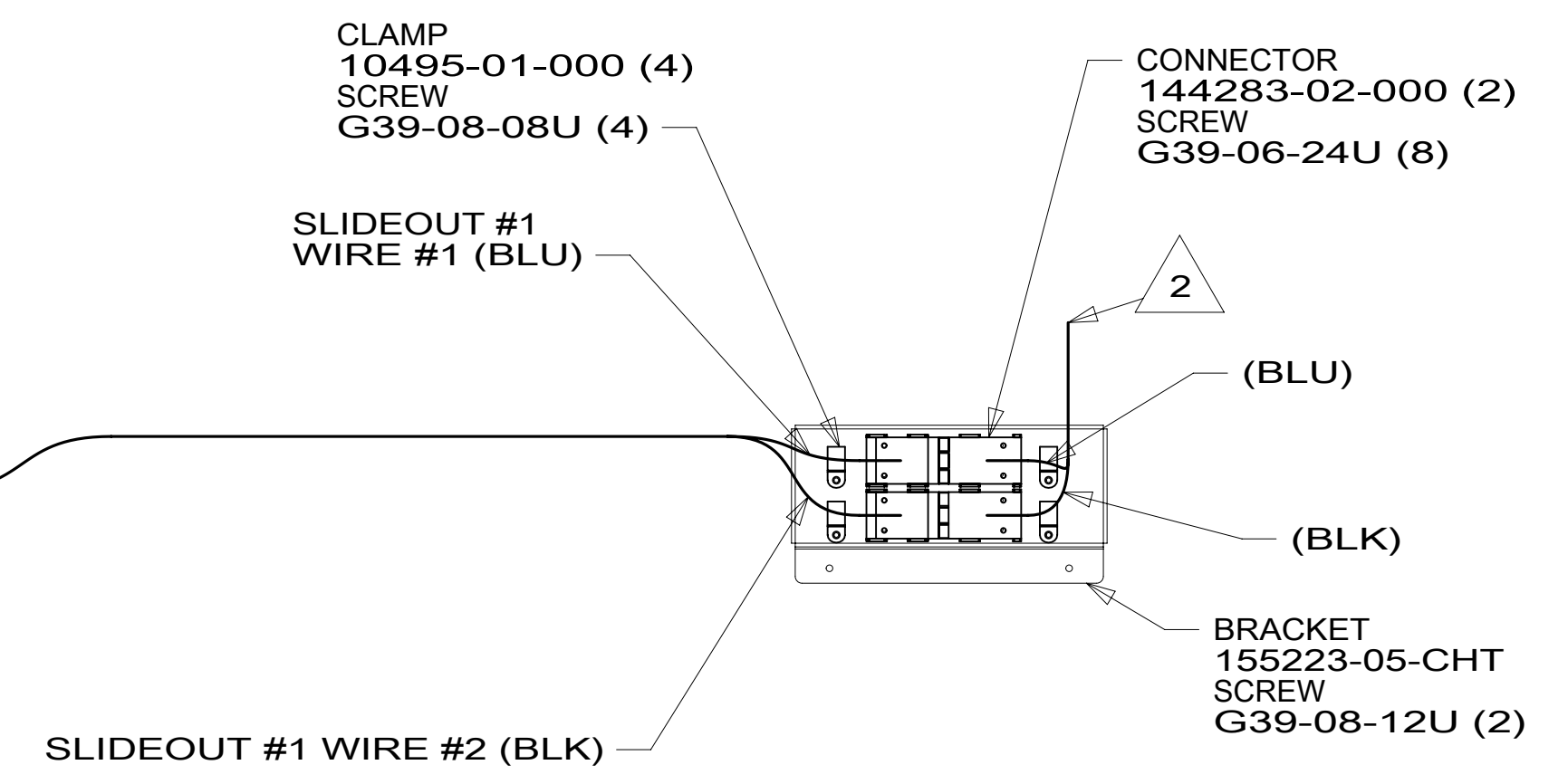
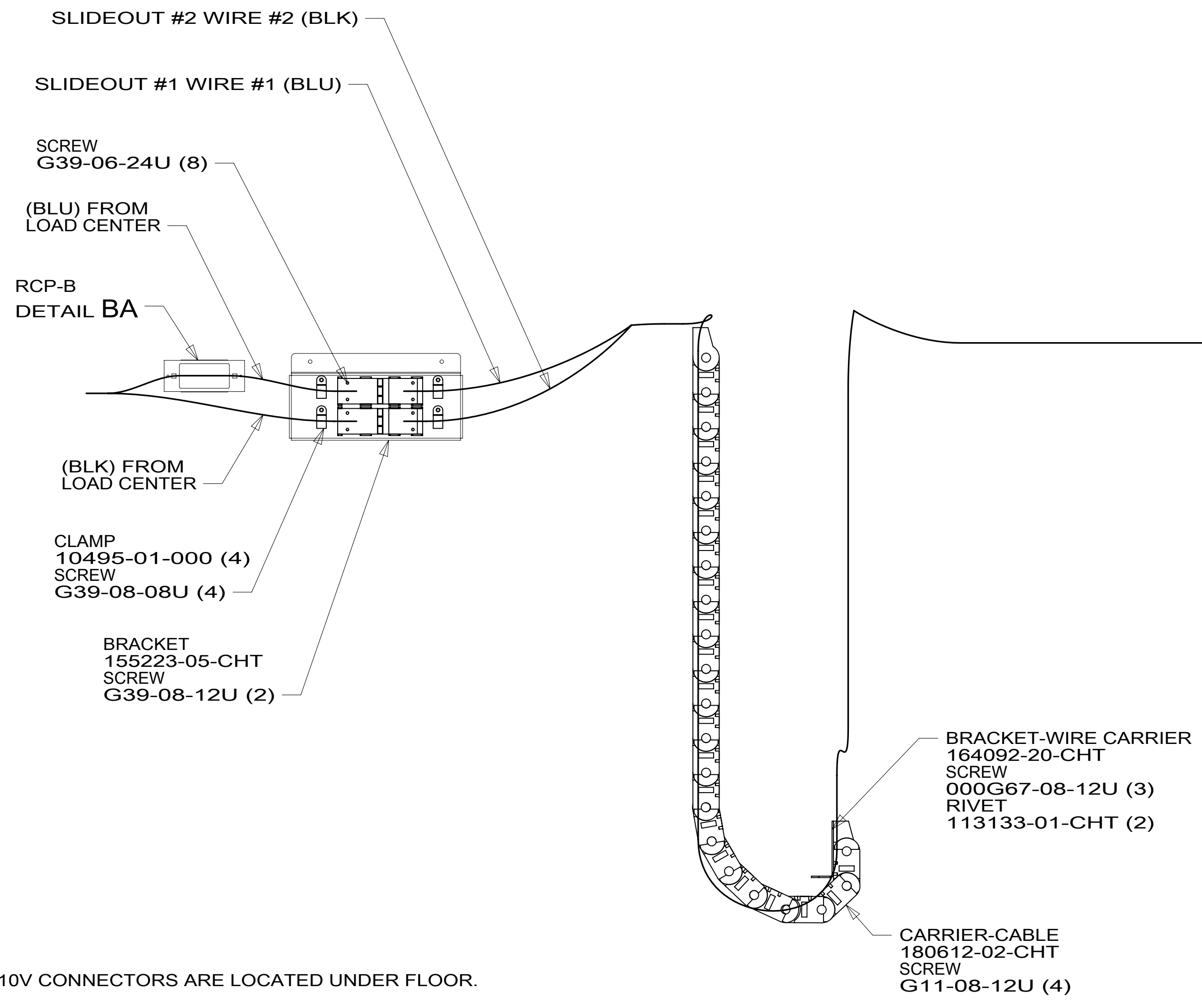
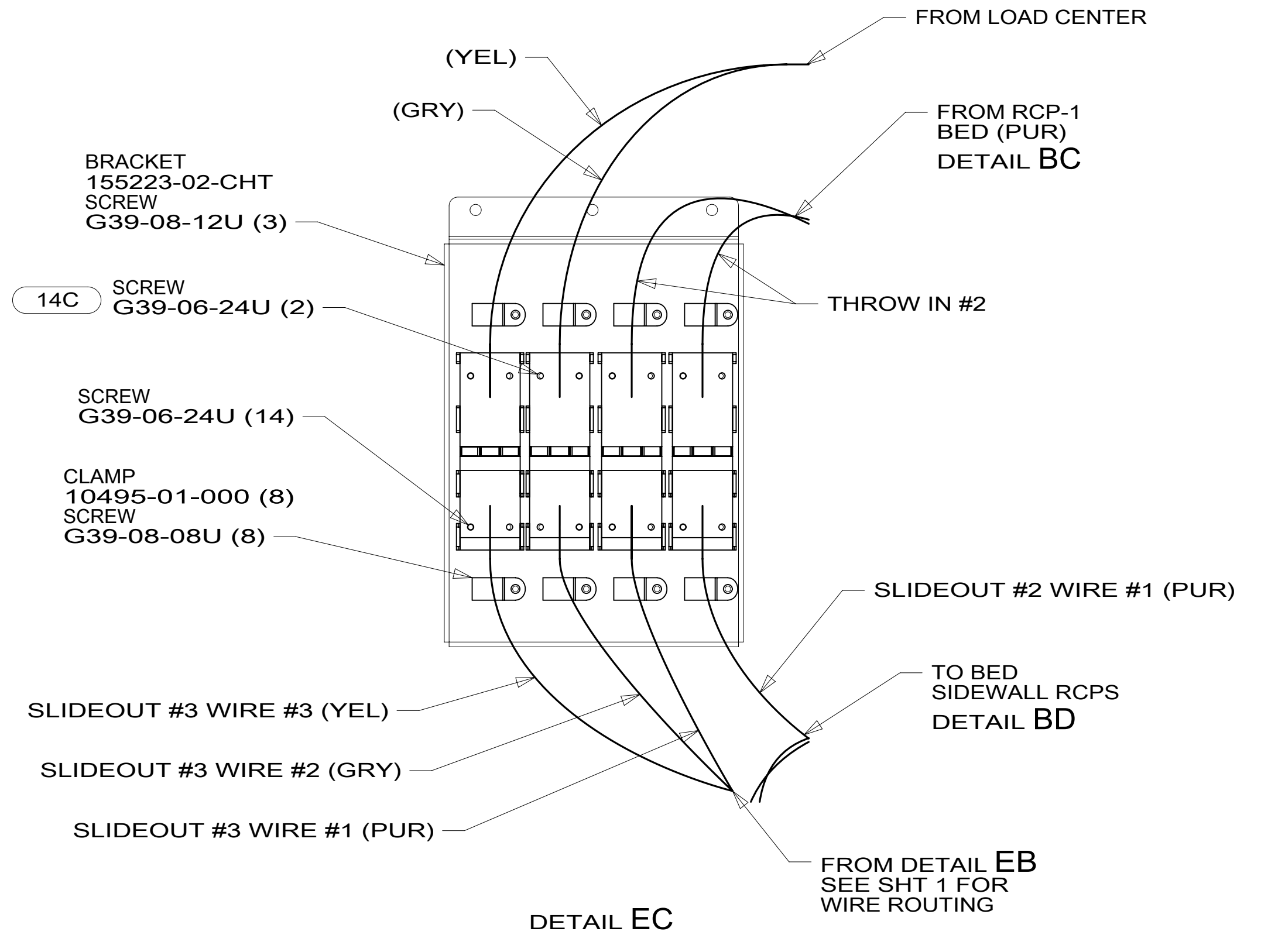
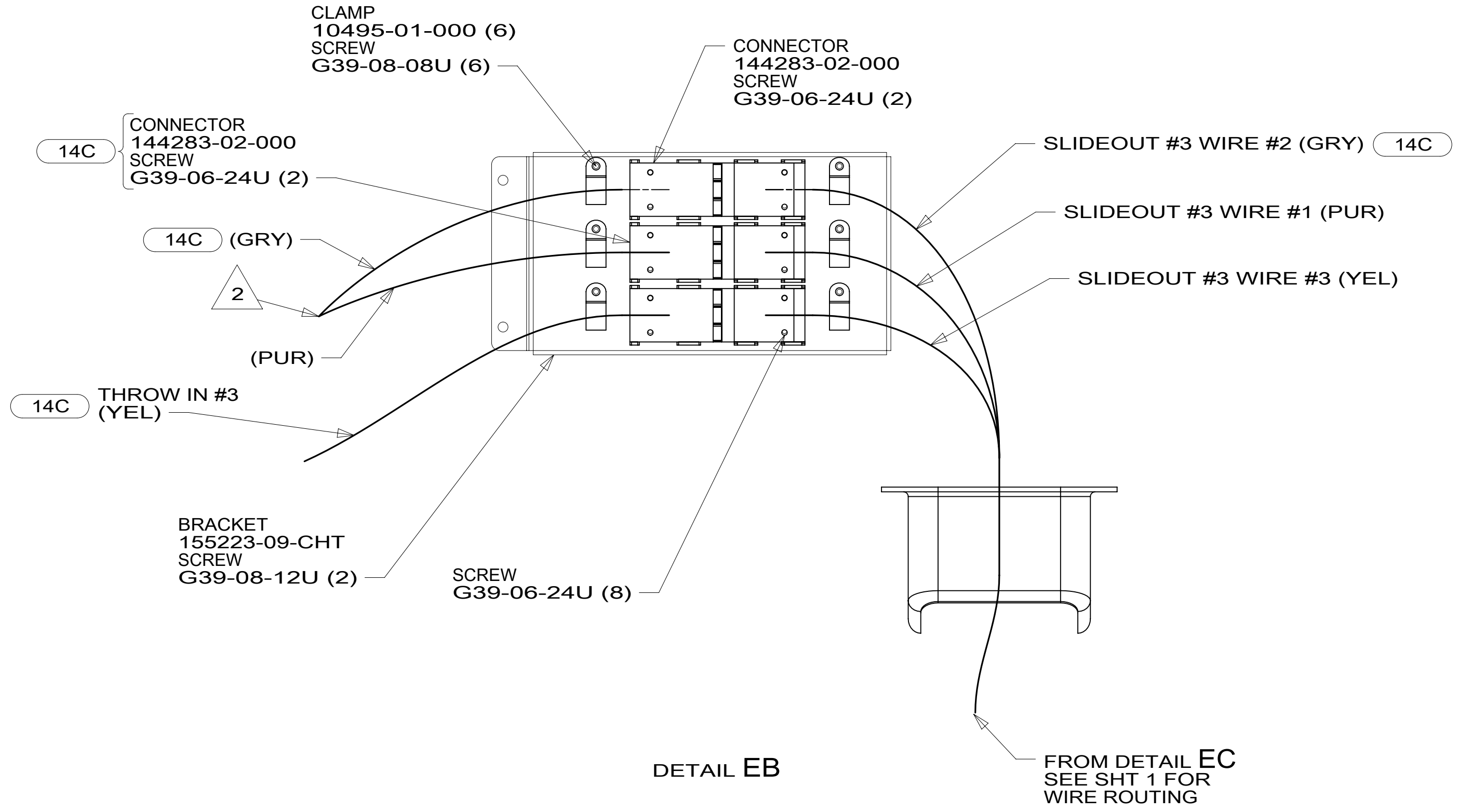
FOR ELECTRICAL TORQUE SPECIFICATIONS SEE DWG NO. 128783-01-000

FOR ELECTRICAL CALLOUTS SEE DWG NO. 121339-01-000

- 265 CODES/STANDARDS-CSA/CMVSS
- 1B1 CODES/STANDARDS USA

1B1	265
FIRST USED	
15 P42E	
DO NOT SCALE DRAWING	
TITLE: WIRING INSTL-BODY, 110V	
SHEET 4	PART NO 190143 REV
1 23-Jun-2015	

190143



- NOTES:
- 3 110V CONNECTORS ARE LOCATED UNDER FLOOR.
 - 2 WIRE ROUTED IN SIDEWALL.
 - 1 110V CONNECTORS ARE MOUNTED TO RIGHT SIDEWALL.

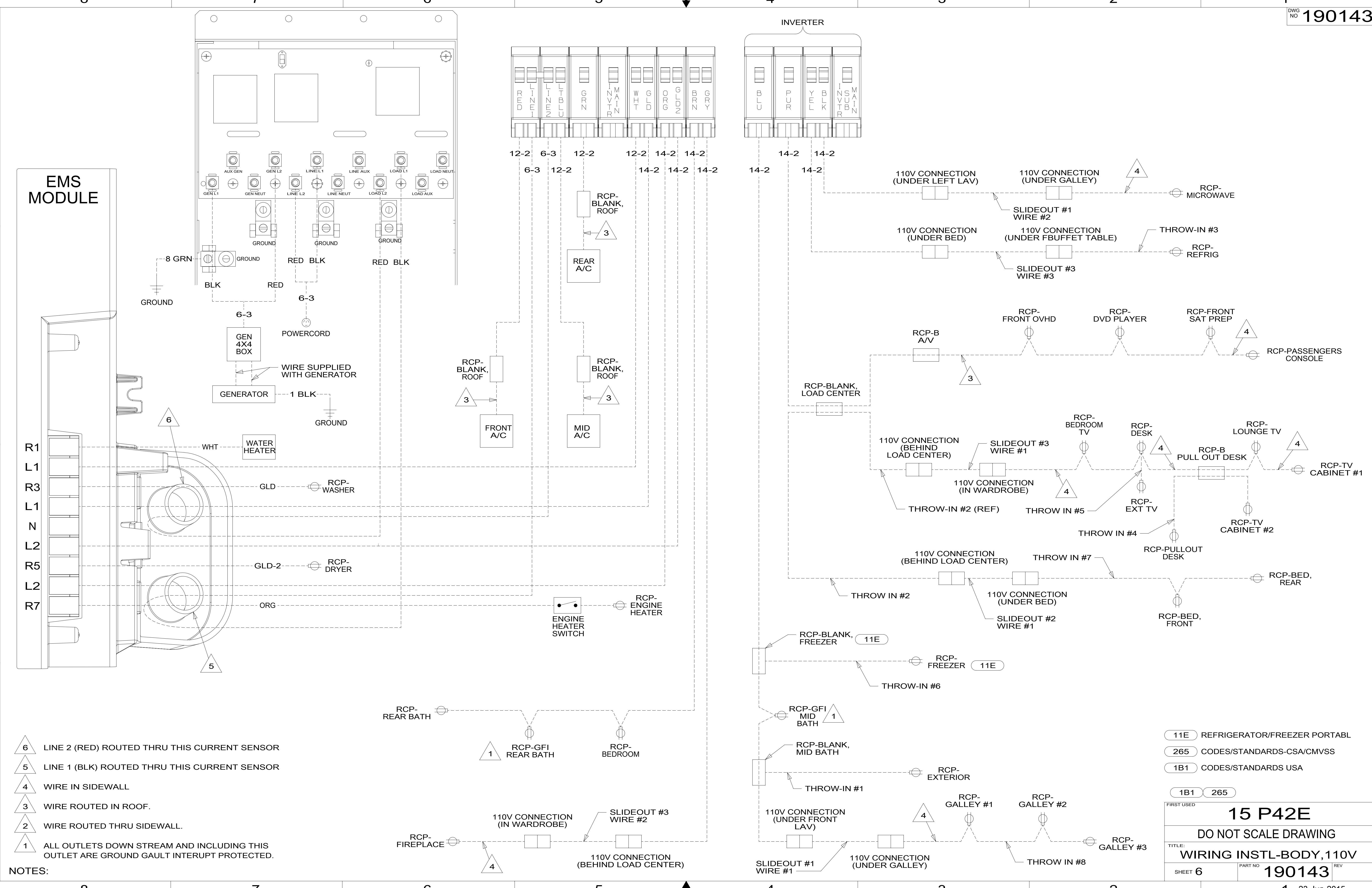
- 14C FIREPLACE-ELECTRIC
- 265 CODES/STANDARDS-CSA/CMVSS
- 1B1 CODES/STANDARDS USA

FIRST USED		15 P42E	
DO NOT SCALE DRAWING			
TITLE: WIRING INSTL-BODY, 110V			
SHEET 5	PART NO	190143	REV
		1	23-Jun-2015

FOR ELECTRICAL TORQUE SPECIFICATIONS SEE DWG NO. 128783-01-000

FOR ELECTRICAL CALLOUTS SEE DWG NO. 121339-01-000

190143



- 6 LINE 2 (RED) ROUTED THRU THIS CURRENT SENSOR
- 5 LINE 1 (BLK) ROUTED THRU THIS CURRENT SENSOR
- 4 WIRE IN SIDEWALL
- 3 WIRE ROUTED IN ROOF.
- 2 WIRE ROUTED THRU SIDEWALL.
- 1 ALL OUTLETS DOWN STREAM AND INCLUDING THIS OUTLET ARE GROUND GAULT INTERRUPT PROTECTED.

NOTES:

- 11E REFRIGERATOR/FREEZER PORTABL
- 265 CODES/STANDARDS-CSA/CMVSS
- 1B1 CODES/STANDARDS USA

1B1 265

FIRST USED

15 P42E

DO NOT SCALE DRAWING

TITLE: WIRING INSTL-BODY, 110V

SHEET 6 PART NO 190143 REV

1 23-Jun-2015

190143