



DANGER

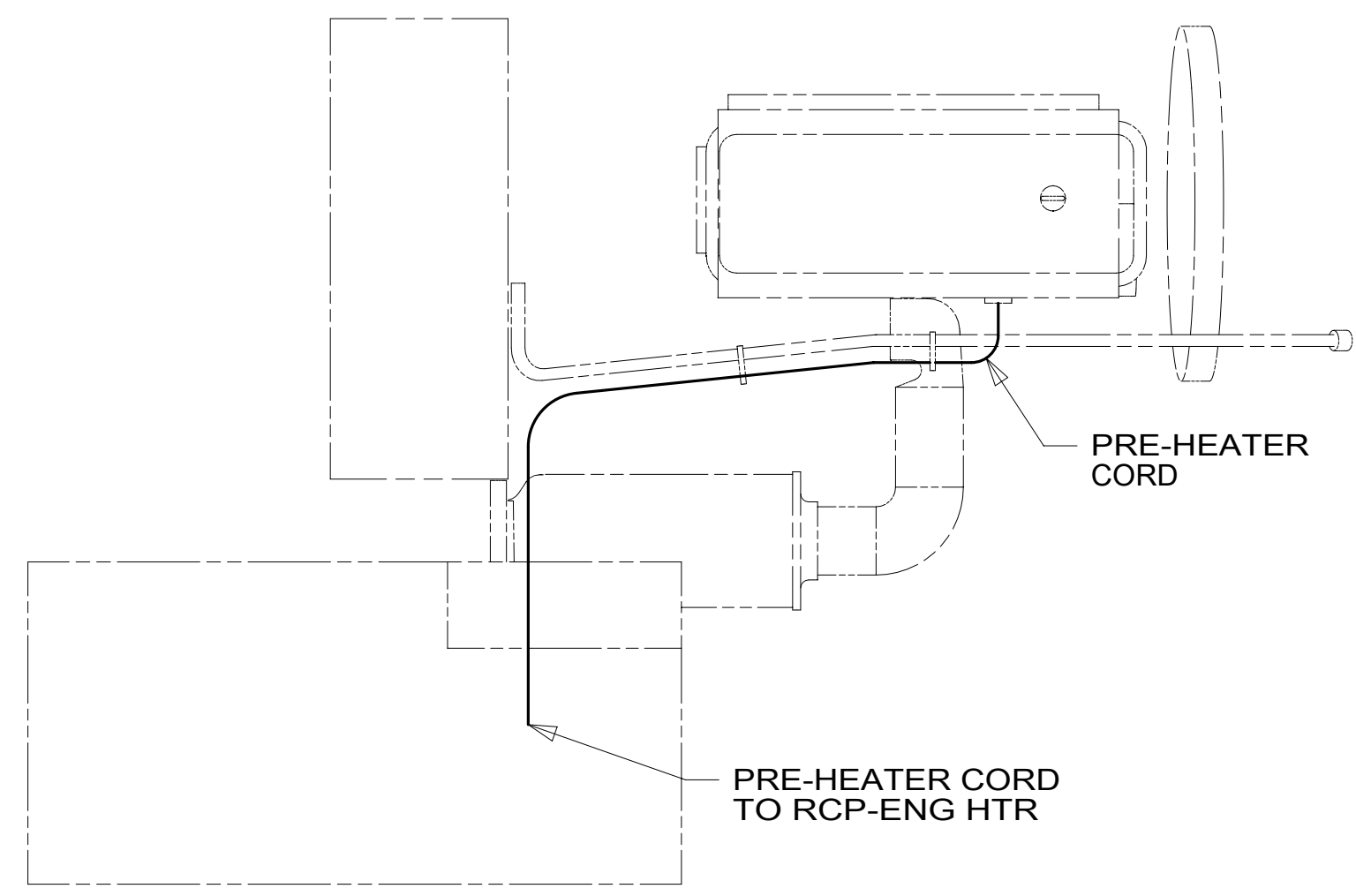
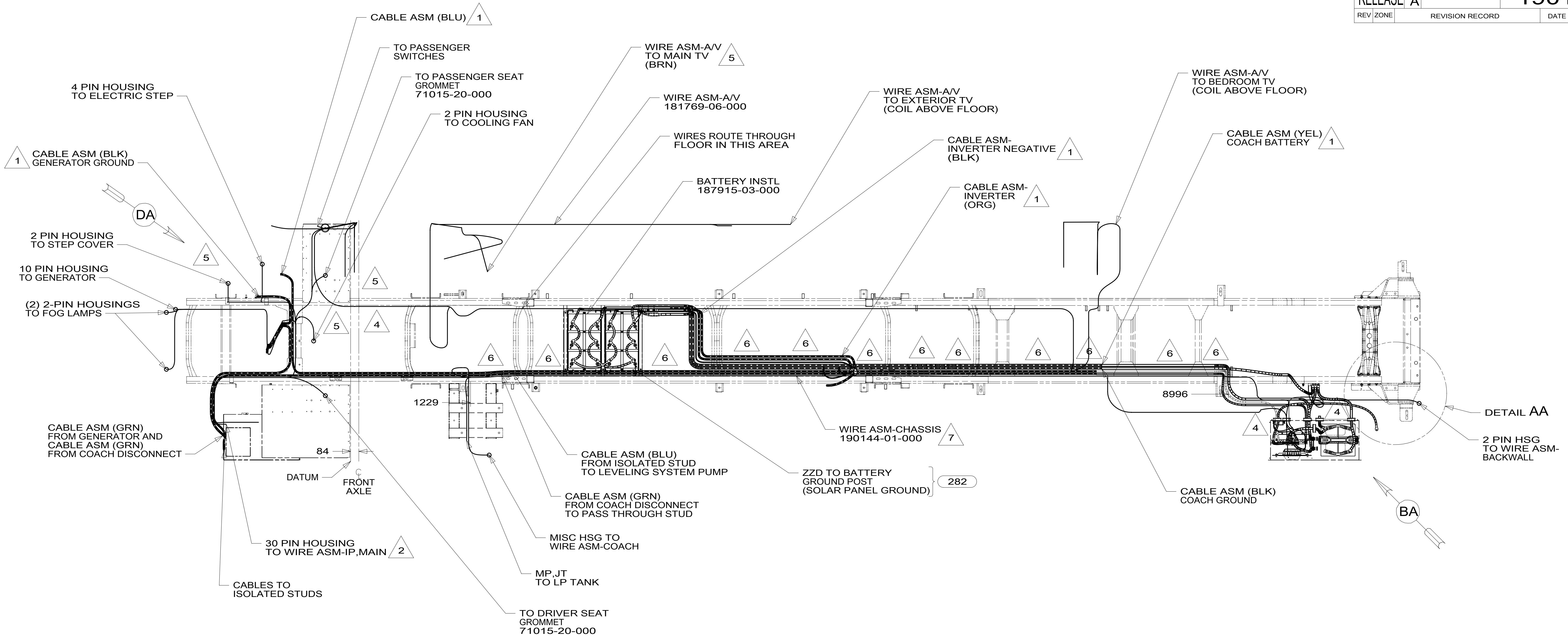
Danger of electrical shock, burns or death. Always remove all power sources before attempting any repair, service or diagnostic work. Power can be present from shore power, generator, inverter or battery. All power sources must be disabled and secured before performing any service.



CAUTION

If you lack the skills, tools or equipment to perform diagnostic or repair work leave such work to an authorized Winnebago Industries dealer or other qualified shop.

8 7 6 5 4 3 2 1



- NOTES:
- 7 REST WIRE IN FRAME RAIL WHEN APPLICABLE.
 - 6 CLAMP 83610-01-000, SCREW G39-08-12B
 - 5 CLAMP 10497-03-000, SCREW G39-08-12B
 - 4 USE TIE-WIRE 8343-04-000 TO SECURE WIRES TO FLOOR SUPPORT FRAME AT LEAST ONCE EVERY 600MM.
 - 3 SECURE CORD AWAY FROM ALL MOVING PARTS AND EXHAUST WITH WIRE-TIE 93147-01-000 AS REQUIRED
 - 2 SEE WIRING INSTL-FRONT END FOR ADDITIONAL INFORMATION.
 - 1 SEE BATTERY INSTL FOR ADDITIONAL INFORMATION

- 282 SOLAR PANEL - 100 WATT
- 1LE FRTL 44,320 400HP 6SPD TAG
- 265 CODES/STANDARDS-CSA/CMVSS
- 1B1 CODES/STANDARDS USA

1B1 265 1LE

WINNEBAGO

COPYRIGHT 2014 WINNEBAGO INDUSTRIES, INC.

| | |
|------|-----------------------------------|
| DFTR | ORIG. DATE |
| CHKR | ALL DIMENSIONS ARE IN MILLIMETERS |
| P.E. | FIRST USED |
| M.E. | 15 P42E |
| DSNR | |

UNSPECIFIED TOLERANCES ARE:

| | |
|------------------|--------|
| WHOLE DIM (X) | : 3 |
| ONE-PLACE (X.X) | : 1.5 |
| TWO-PLACE (X.XX) | : 0.50 |
| ANGLE | : 1° |

THIRD ANGLE PROJECTION

DO NOT SCALE DRAWING REFER TO ES0018 FOR FASTENER TIGHTENING GUIDELINES

TITLE: **WIRING INSTL-CHASSIS**

SHEET 1 OF 5 PART NO 190141 REV

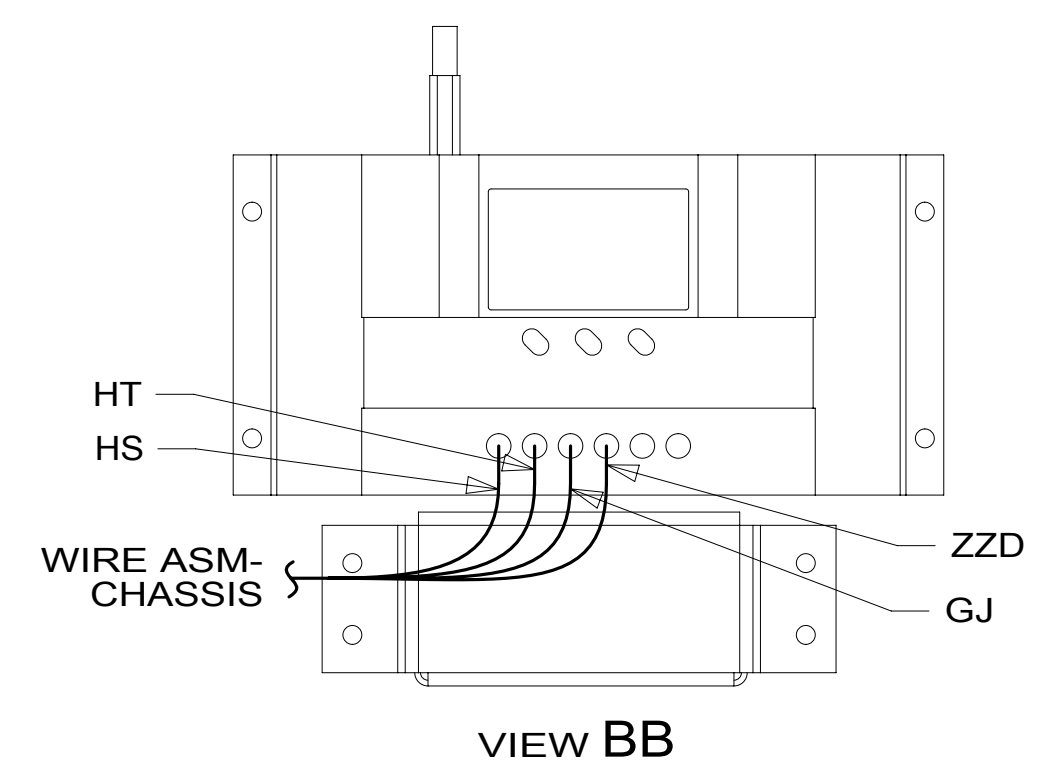
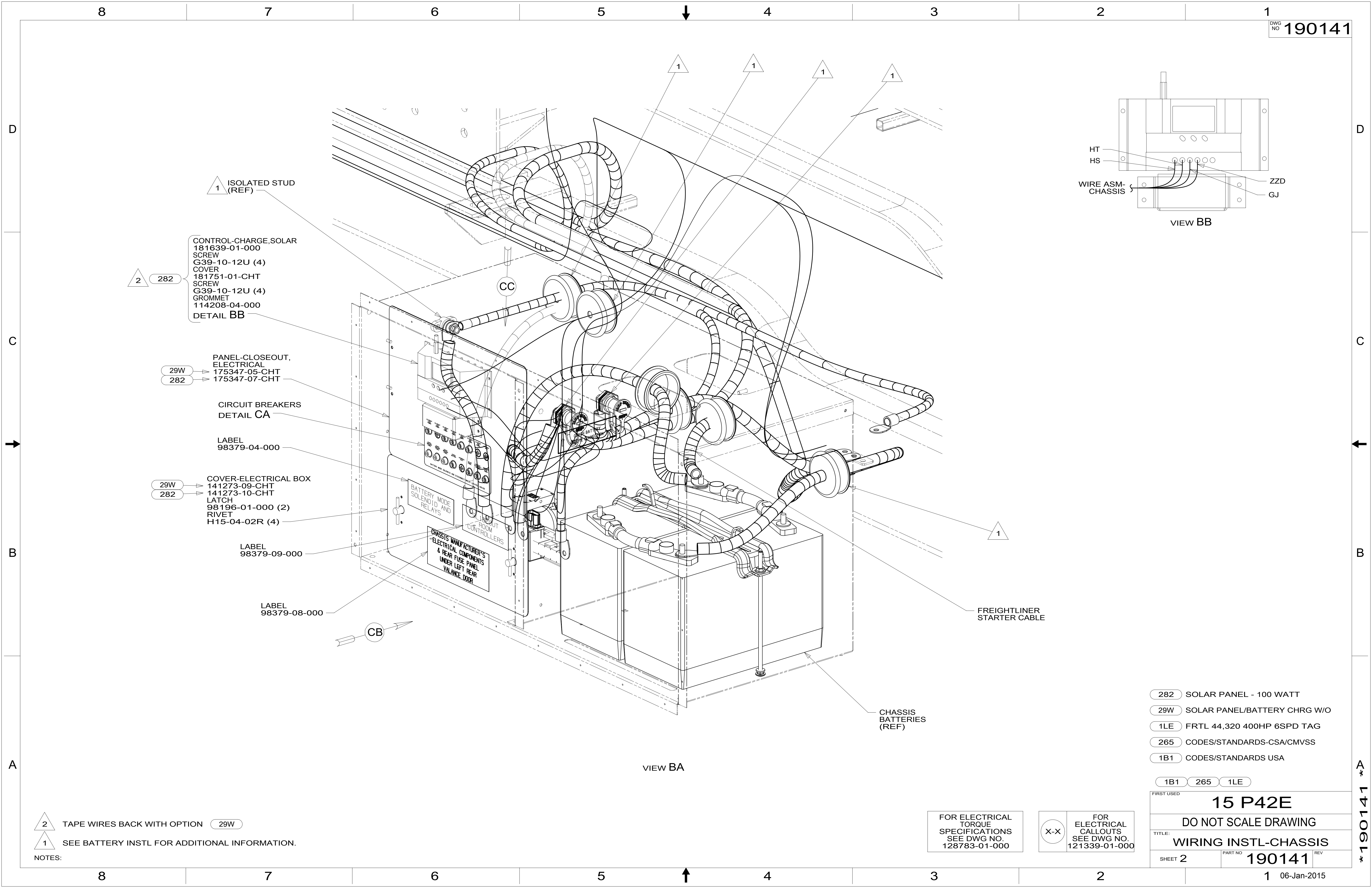
REF: 1 06-Jan-2015

FOR ELECTRICAL TORQUE SPECIFICATIONS SEE DWG NO. 128783-01-000

X-X FOR ELECTRICAL CALLOUTS SEE DWG NO. 121339-01-000

8 7 6 5 4 3 2 1

190141



1 ISOLATED STUD (REF)

2 282 CONTROL-CHARGE, SOLAR
181639-01-000
SCREW
G39-10-12U (4)
COVER
181751-01-CHT
SCREW
G39-10-12U (4)
GROMMET
114208-04-000
DETAIL BB

29W 282 PANEL-CLOSEOUT, ELECTRICAL
175347-05-CHT
175347-07-CHT

CIRCUIT BREAKERS
DETAIL CA

LABEL
98379-04-000

29W 282 COVER-ELECTRICAL BOX
141273-09-CHT
141273-10-CHT
LATCH
98196-01-000 (2)
RIVET
H15-04-02R (4)

LABEL
98379-09-000

LABEL
98379-08-000

FREIGHTLINER
STARTER CABLE

CHASSIS
BATTERIES
(REF)

VIEW BA

- 282 SOLAR PANEL - 100 WATT
- 29W SOLAR PANEL/BATTERY CHRГ W/O
- 1LE FRTL 44,320 400HP 6SPD TAG
- 265 CODES/STANDARDS-CSA/CMVSS
- 1B1 CODES/STANDARDS USA

1B1 265 1LE

| | |
|------------------------------------|---------------------------|
| FIRST USED | |
| 15 P42E | |
| DO NOT SCALE DRAWING | |
| TITLE: WIRING INSTL-CHASSIS | |
| SHEET 2 | PART NO 190141 REV |

NOTES:

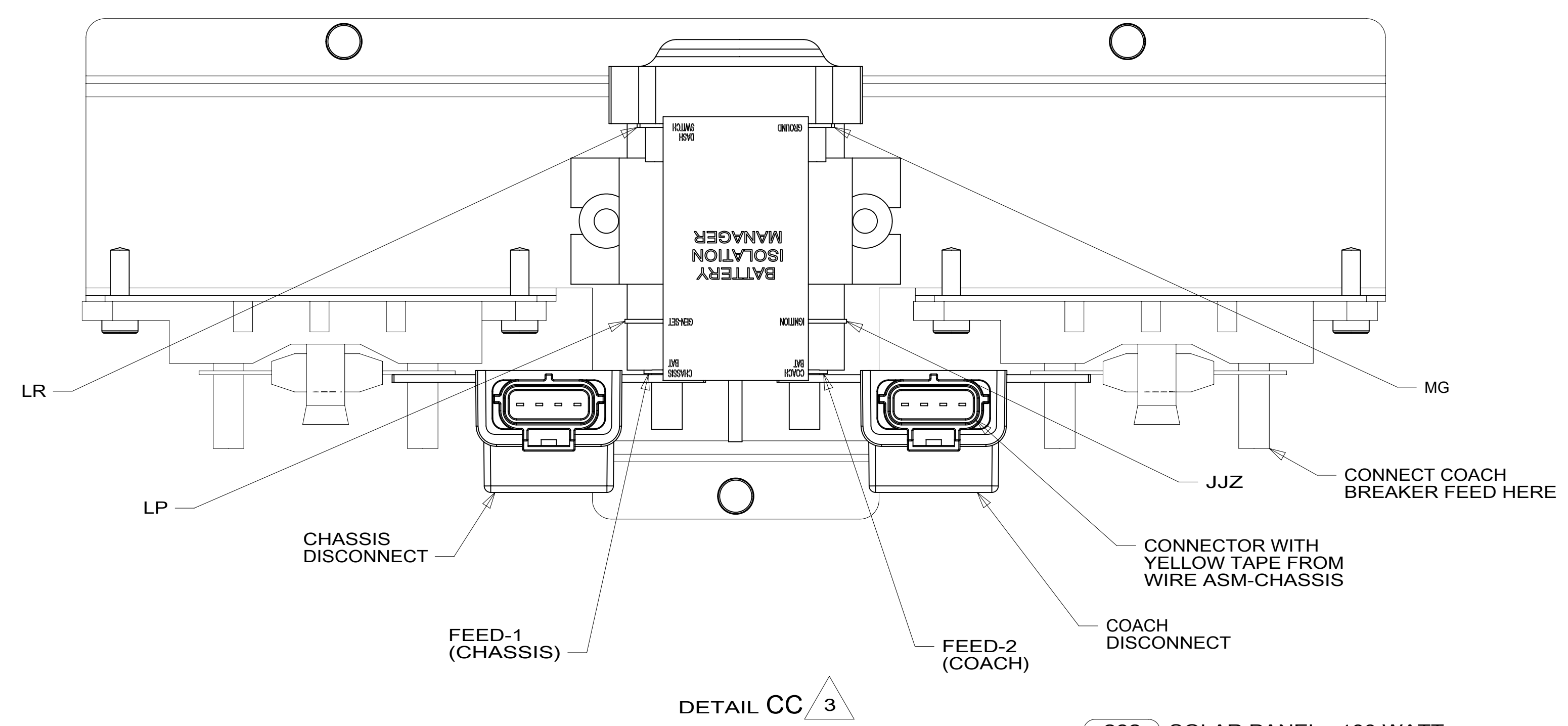
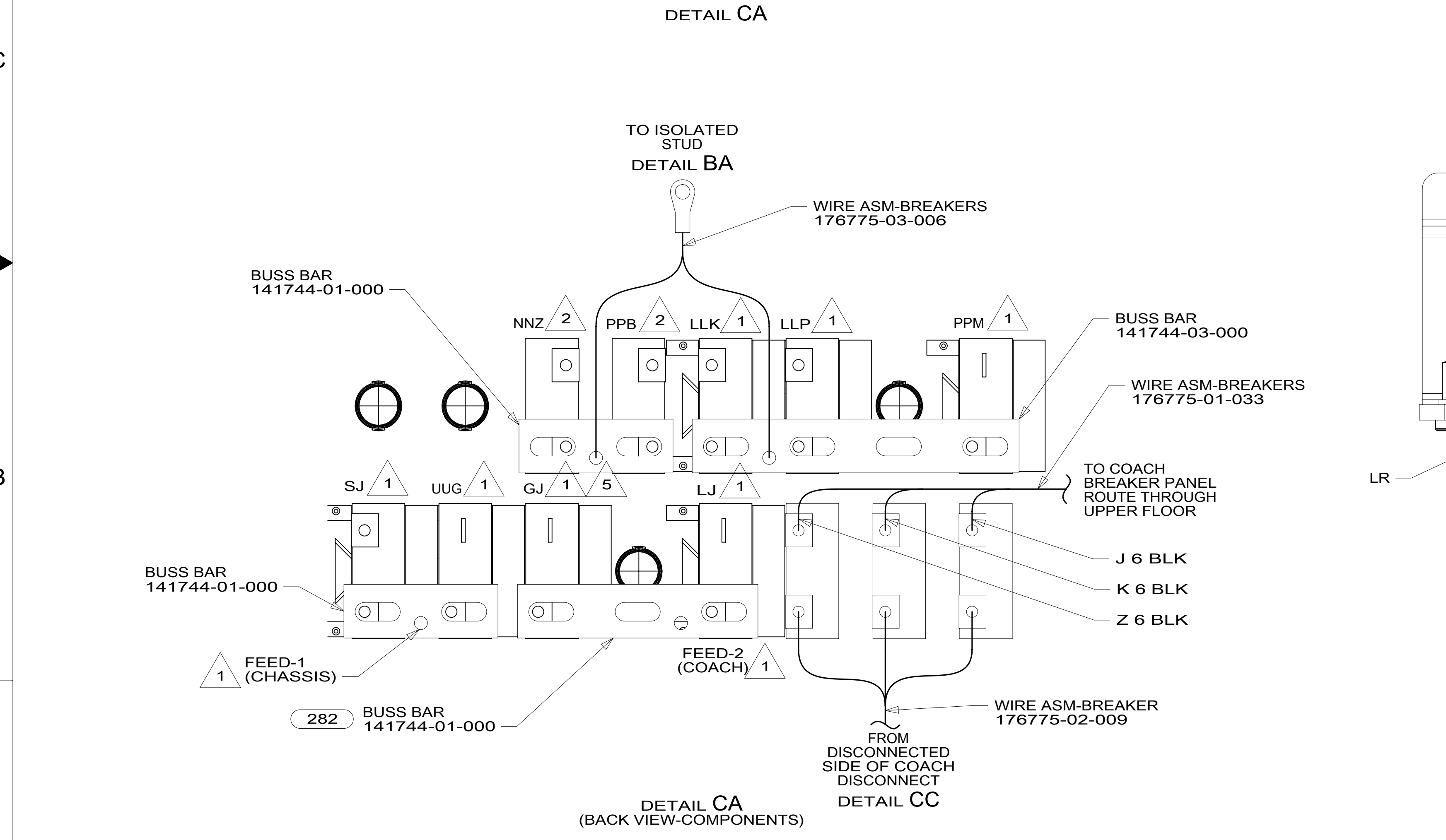
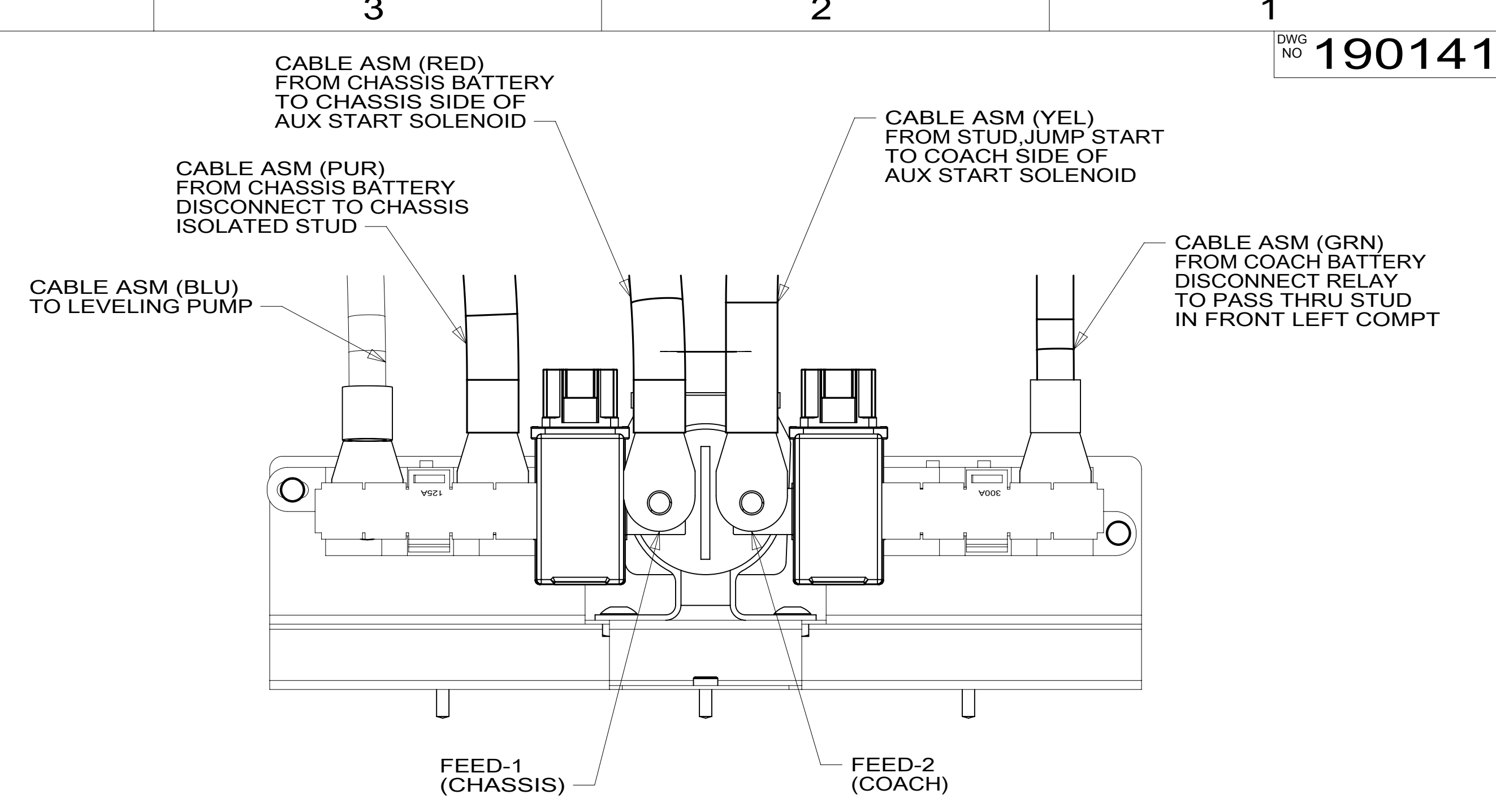
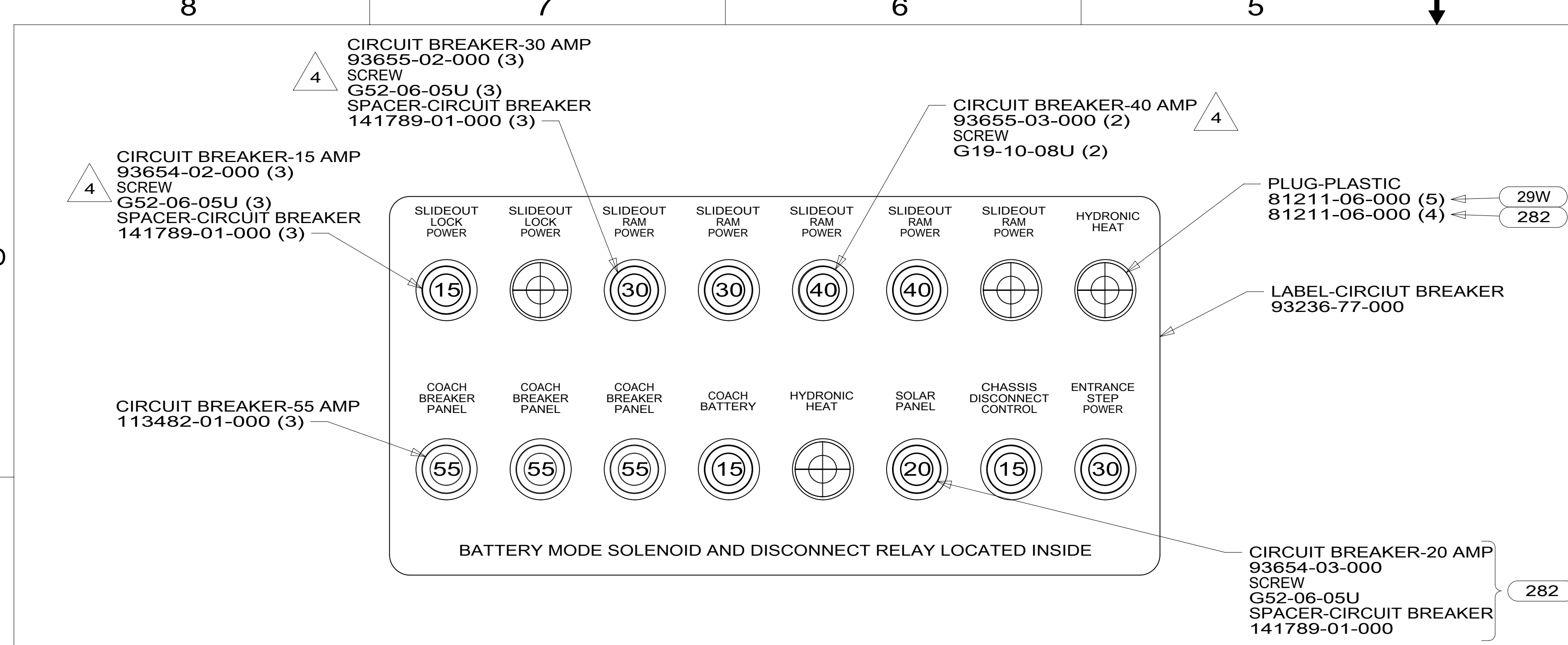
2 TAPE WIRES BACK WITH OPTION 29W

1 SEE BATTERY INSTL FOR ADDITIONAL INFORMATION.

FOR ELECTRICAL
TORQUE
SPECIFICATIONS
SEE DWG NO.
128783-01-000

X-X
FOR
ELECTRICAL
CALLOUTS
SEE DWG NO.
121339-01-000

190141 A



- NOTES:**
- 5 TIE BACK WITH OPTION 282 .
 - 4 REPLACE EXISTING SCREW TO PROPERLY ATTACH BREAKER TO BUSS BAR.
 - 3 SEE BATTERY INSTL FOR ADDITIONAL INFORMATION.
 - 2 FROM WIRE ASM-SLIDEOUT POWER.
 - 1 CIRCUITS BRANCH FROM WIRE ASM-CHASSIS.

FOR ELECTRICAL TORQUE SPECIFICATIONS SEE DWG NO. 128783-01-000

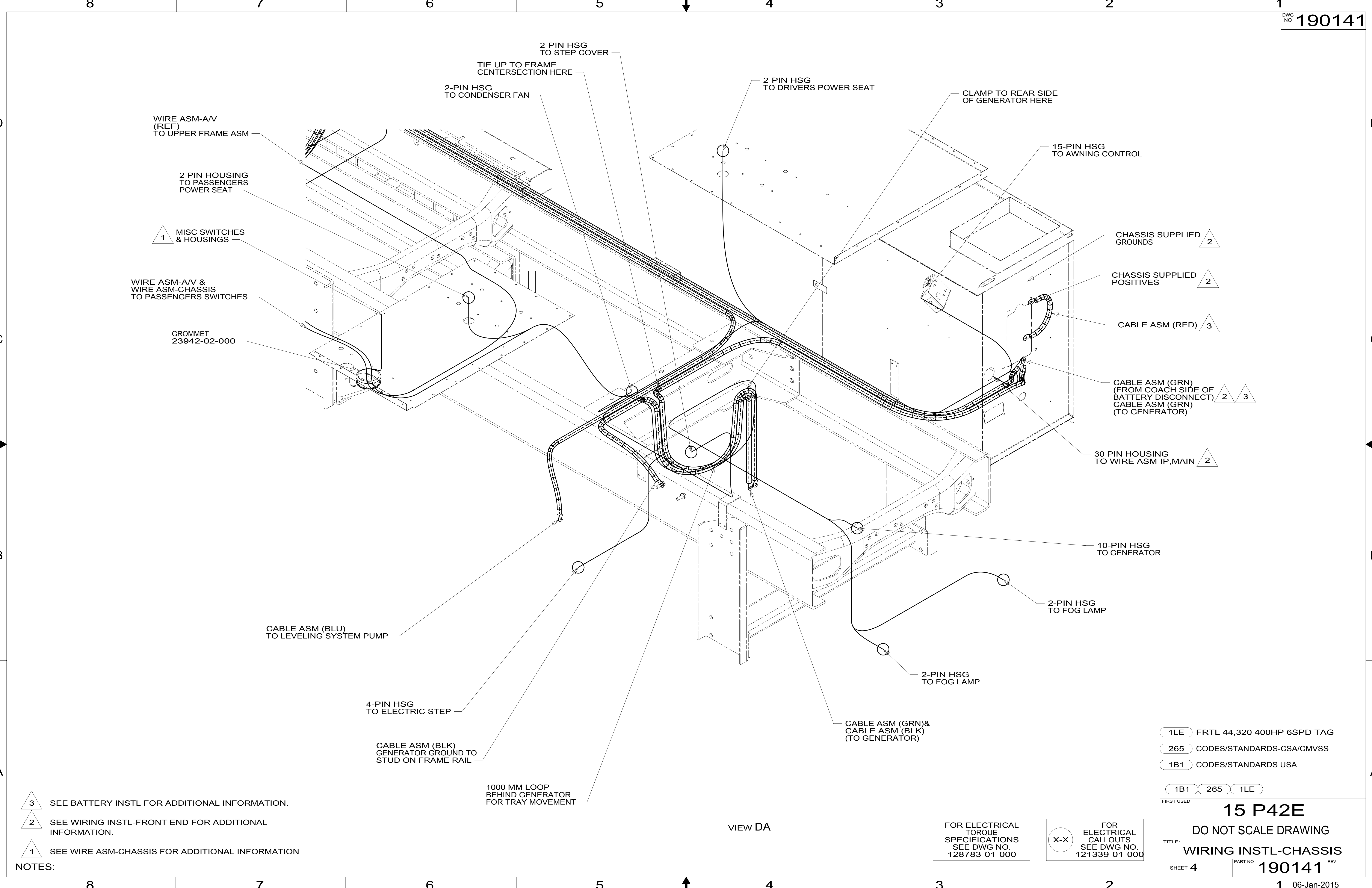
X-X

FOR ELECTRICAL CALLOUTS SEE DWG NO. 121339-01-000

- 282 SOLAR PANEL - 100 WATT
- 29W SOLAR PANEL/BATTERY CHRGR W/O
- 1LE FRTL 44,320 400HP 6SPD TAG
- 265 CODES/STANDARDS-CSA/CMVSS
- 1B1 CODES/STANDARDS USA

| | | | |
|------------------------------------|------------------------|----------------|--|
| FIRST USED | | 15 P42E | |
| DO NOT SCALE DRAWING | | | |
| TITLE: WIRING INSTL-CHASSIS | | | |
| SHEET 3 | PART NO. 190141 | REV | |
| | | 1 06-Jan-2015 | |

* 190141 A *



- NOTES:
- 3 SEE BATTERY INSTL FOR ADDITIONAL INFORMATION.
 - 2 SEE WIRING INSTL-FRONT END FOR ADDITIONAL INFORMATION.
 - 1 SEE WIRE ASM-CHASSIS FOR ADDITIONAL INFORMATION

VIEW DA

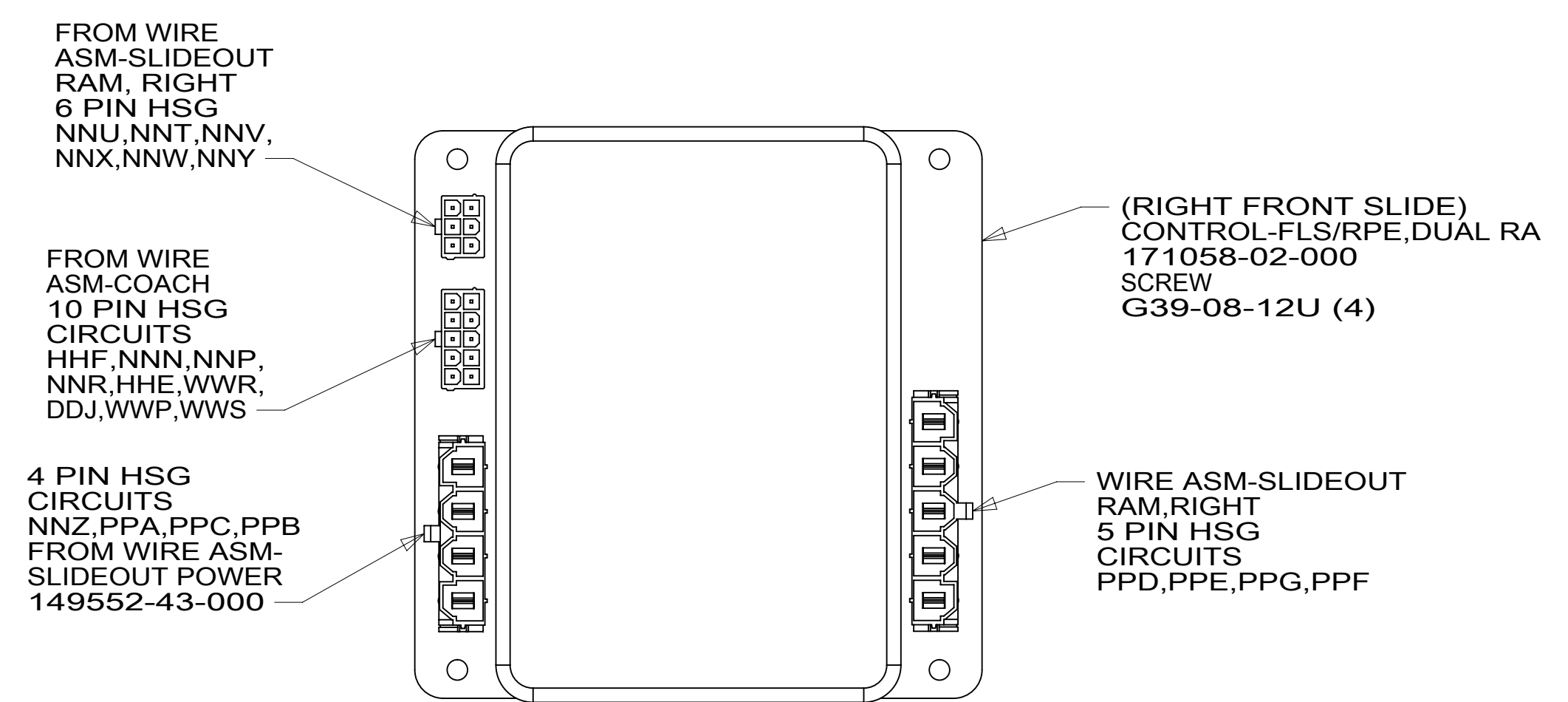
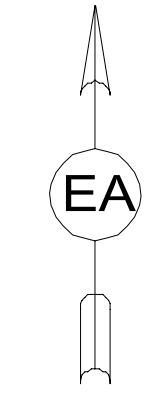
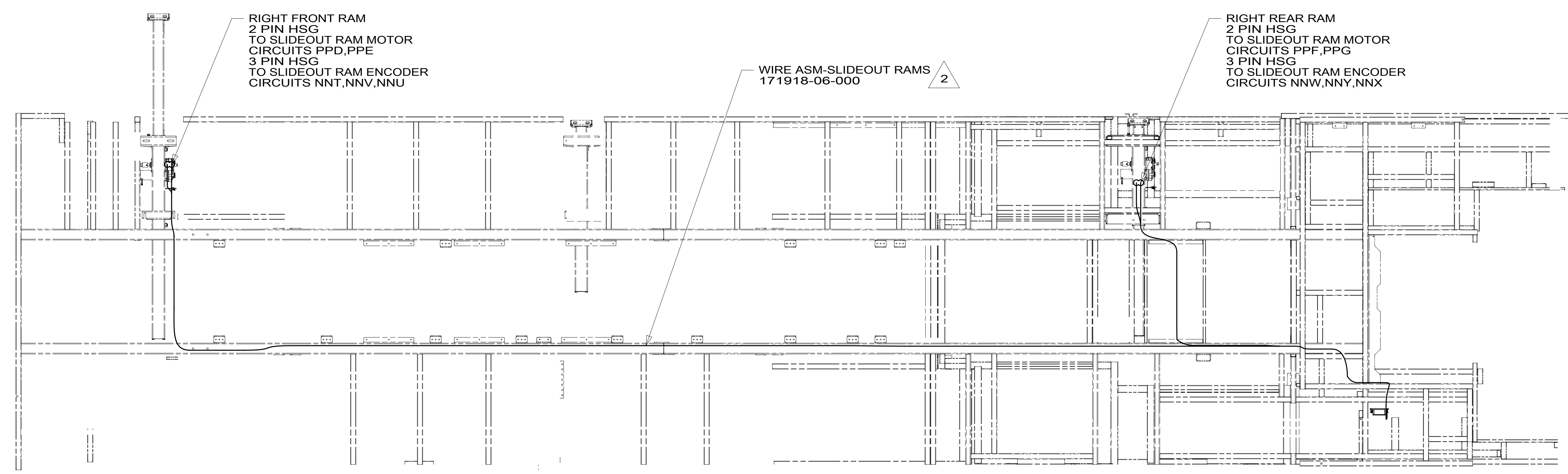
FOR ELECTRICAL TORQUE SPECIFICATIONS SEE DWG NO. 128783-01-000

FOR ELECTRICAL CALLOUTS SEE DWG NO. 121339-01-000

- 1LE FRTL 44,320 400HP 6SPD TAG
- 265 CODES/STANDARDS-CSA/CMVSS
- 1B1 CODES/STANDARDS USA

| | |
|------------------------------------|---------------------------|
| FIRST USED | |
| 15 P42E | |
| DO NOT SCALE DRAWING | |
| TITLE: WIRING INSTL-CHASSIS | |
| SHEET 4 | PART NO 190141 REV |
| 1 06-Jan-2015 | |

190141



VIEW EA

- 2 WIRES ROUTED ALONG FRAME RAIL.
- ALL WIRES TO BE CLAMPED WITH 10495-01-000 OR WIRE TIE 8343-02-000 EVERY 600MM, UNLESS OTHERWISE SPECIFIED.

NOTES:

- 1LE FRTL 44,320 400HP 6SPD TAG
- 265 CODES/STANDARDS-CSA/CMVSS
- 1B1 CODES/STANDARDS USA

FOR ELECTRICAL TORQUE SPECIFICATIONS SEE DWG NO. 128783-01-000

FOR ELECTRICAL CALLOUTS SEE DWG NO. 121339-01-000

| | |
|------------------------------------|---------------------------|
| FIRST USED | |
| 15 P42E | |
| DO NOT SCALE DRAWING | |
| TITLE: WIRING INSTL-CHASSIS | |
| SHEET 5 | PART NO 190141 REV |
| 1 06-Jan-2015 | |

190141 A