



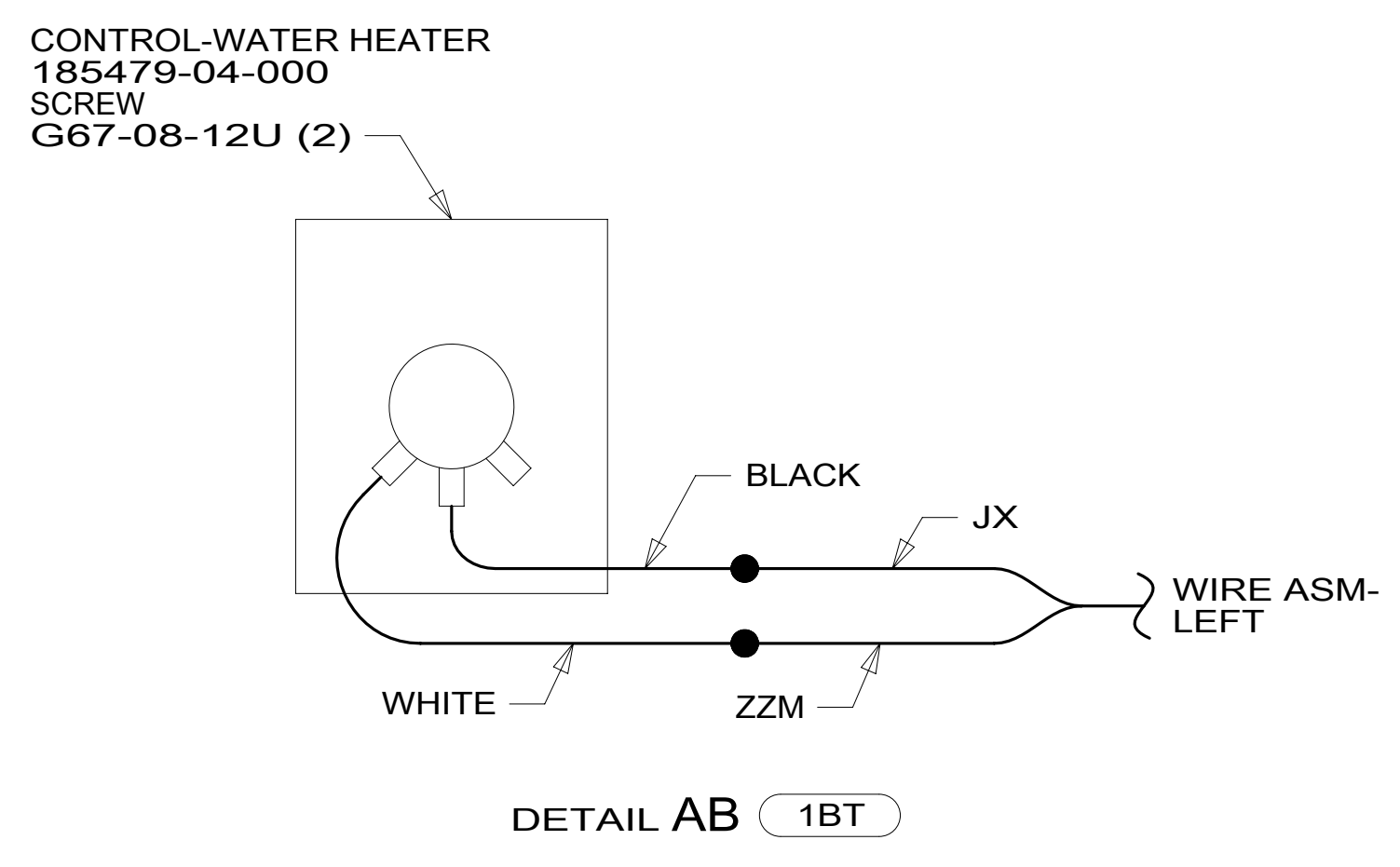
DANGER

Danger of electrical shock, burns or death. Always remove all power sources before attempting any repair, service or diagnostic work. Power can be present from shore power, generator, inverter or battery. All power sources must be disabled and secured before performing any service.

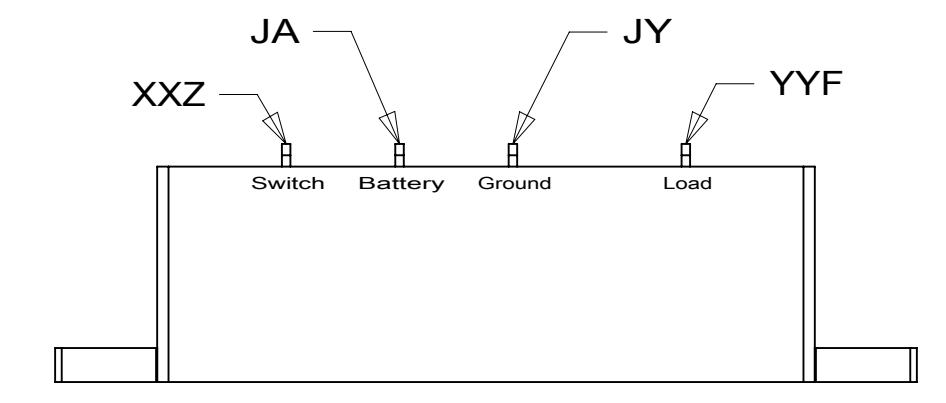
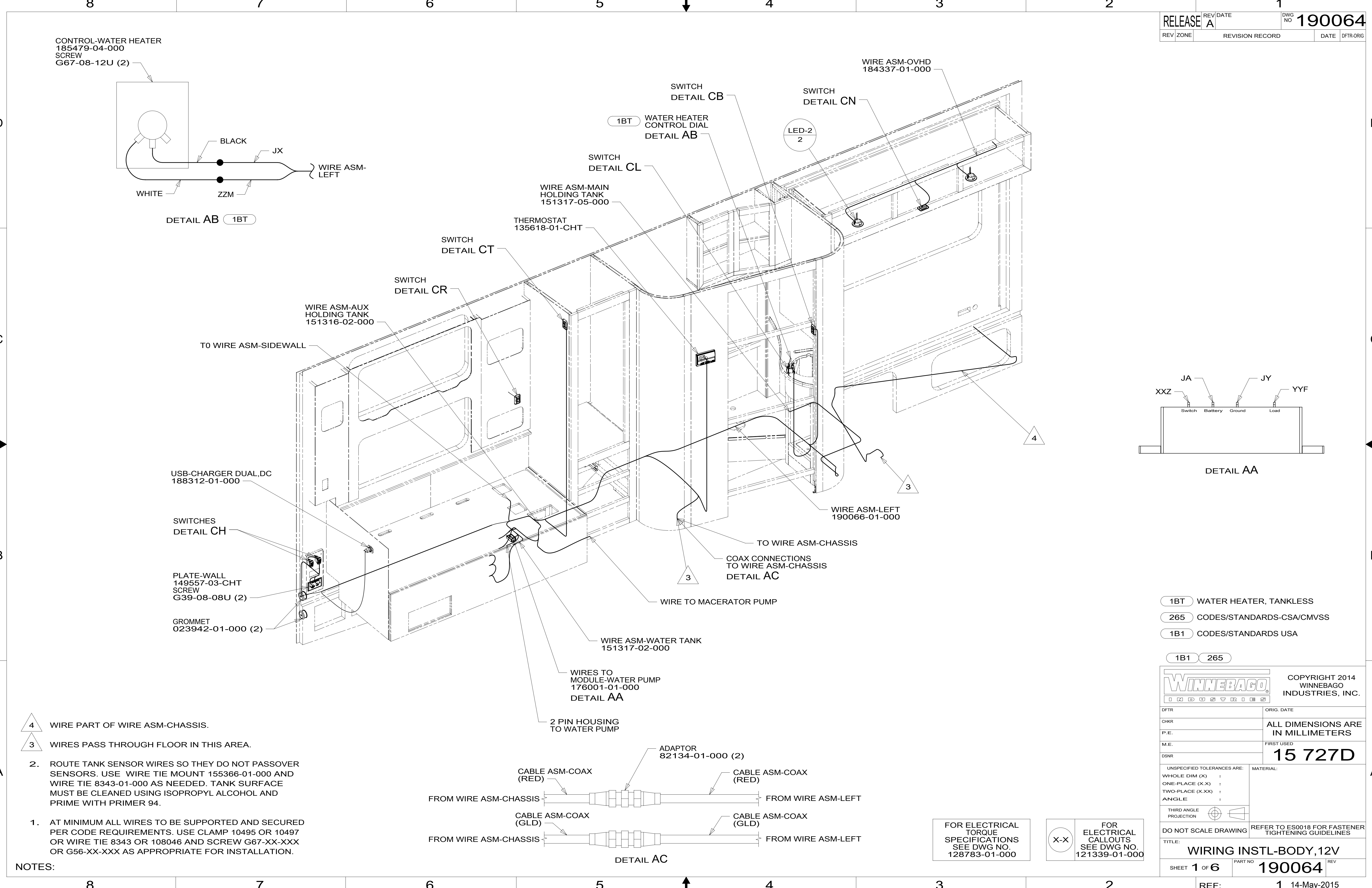


CAUTION

If you lack the skills, tools or equipment to perform diagnostic or repair work leave such work to an authorized Winnebago Industries dealer or other qualified shop.

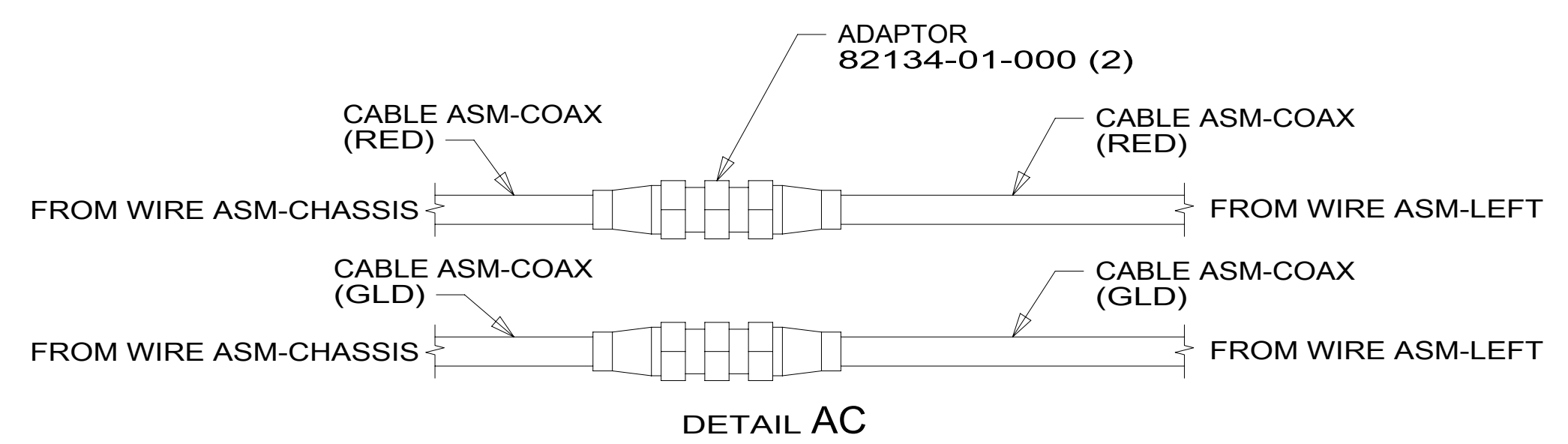


DETAIL AB 1BT



DETAIL AA

- NOTES:
- AT MINIMUM ALL WIRES TO BE SUPPORTED AND SECURED PER CODE REQUIREMENTS. USE CLAMP 10495 OR 10497 OR WIRE TIE 8343 OR 108046 AND SCREW G67-XX-XXX OR G56-XX-XXX AS APPROPRIATE FOR INSTALLATION.
 - ROUTE TANK SENSOR WIRES SO THEY DO NOT PASSOVER SENSORS. USE WIRE TIE MOUNT 155366-01-000 AND WIRE TIE 8343-01-000 AS NEEDED. TANK SURFACE MUST BE CLEANED USING ISOPROPYL ALCOHOL AND PRIME WITH PRIMER 94.



DETAIL AC

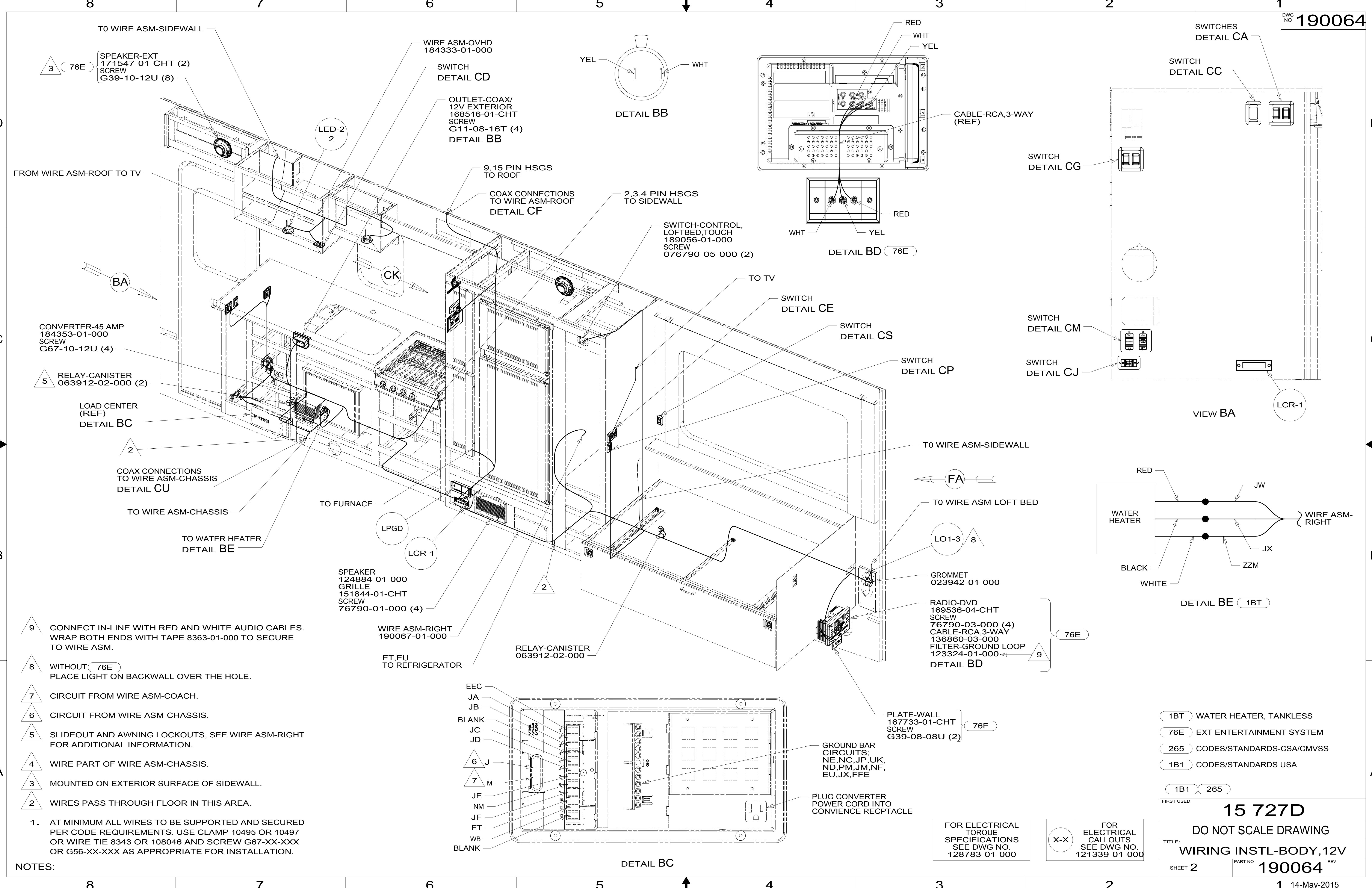
FOR ELECTRICAL TORQUE SPECIFICATIONS SEE DWG NO. 128783-01-000

FOR ELECTRICAL CALLOUTS SEE DWG NO. 121339-01-000

- 1BT WATER HEATER, TANKLESS
- 265 CODES/STANDARDS-CSA/CMVSS
- 1B1 CODES/STANDARDS USA

| | | |
|-------------------------------|----------------|--|
| | | COPYRIGHT 2014 WINNEBAGO INDUSTRIES, INC. |
| DFT-ORIG | ORIG. DATE | |
| CHKR | | ALL DIMENSIONS ARE IN MILLIMETERS |
| P.E. | | |
| M.E. | FIRST USED | 15 727D |
| DSNR | | |
| UNSPECIFIED TOLERANCES ARE: | | MATERIAL: |
| WHOLE DIM (X) | : | |
| ONE-PLACE (X.X) | : | |
| TWO-PLACE (X.XX) | : | |
| ANGLE | : | |
| THIRD ANGLE PROJECTION | | |
| DO NOT SCALE DRAWING | | REFER TO ES0018 FOR FASTENER TIGHTENING GUIDELINES |
| TITLE: WIRING INSTL-BODY, 12V | | |
| SHEET 1 OF 6 | PART NO 190064 | REV |
| REF: | 1 | 14-May-2015 |

190064



3 76E SPEAKER-EXT 171547-01-CHT (2) SCREW G39-10-12U (8)

CONVERTER-45 AMP 184353-01-000 SCREW G67-10-12U (4)

5 RELAY-CANISTER 063912-02-000 (2)

LOAD CENTER (REF) DETAIL BC

COAX CONNECTIONS TO WIRE ASM-CHASSIS DETAIL CU

TO WATER HEATER DETAIL BE

SPEAKER 124884-01-000 GRILLE 151844-01-CHT SCREW 76790-01-000 (4)

WIRE ASM-RIGHT 190067-01-000

ET,EU TO REFRIGERATOR

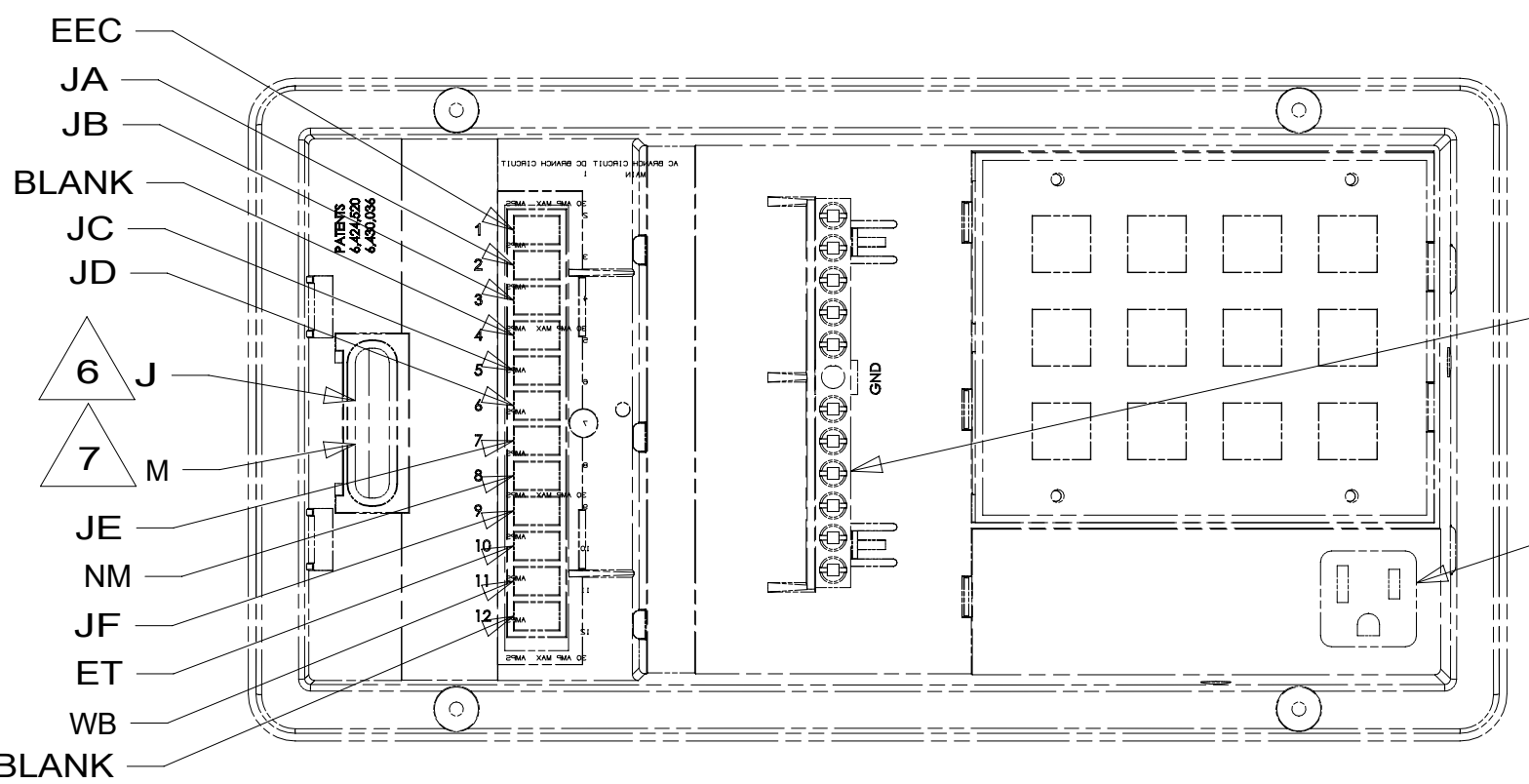
RELAY-CANISTER 063912-02-000

RADIO-DVD 169536-04-CHT SCREW 76790-03-000 (4) CABLE-RCA,3-WAY 136860-03-000 FILTER-GROUND LOOP 123324-01-000

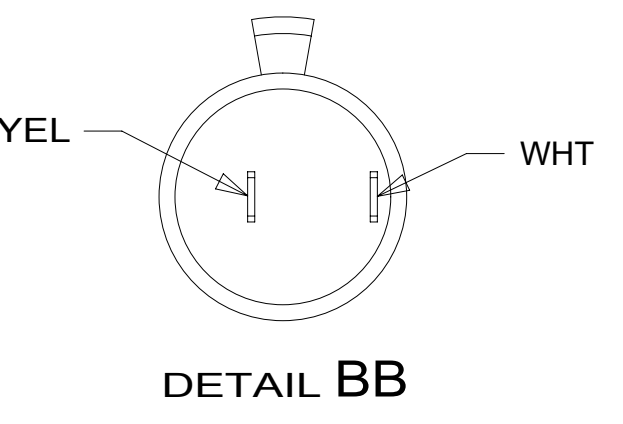
PLATE-WALL 167733-01-CHT SCREW G39-08-08U (2)

GROUND BAR CIRCUITS: NE,NC,JP,UK,ND,PM,JM,NF,EU,JX,FFE

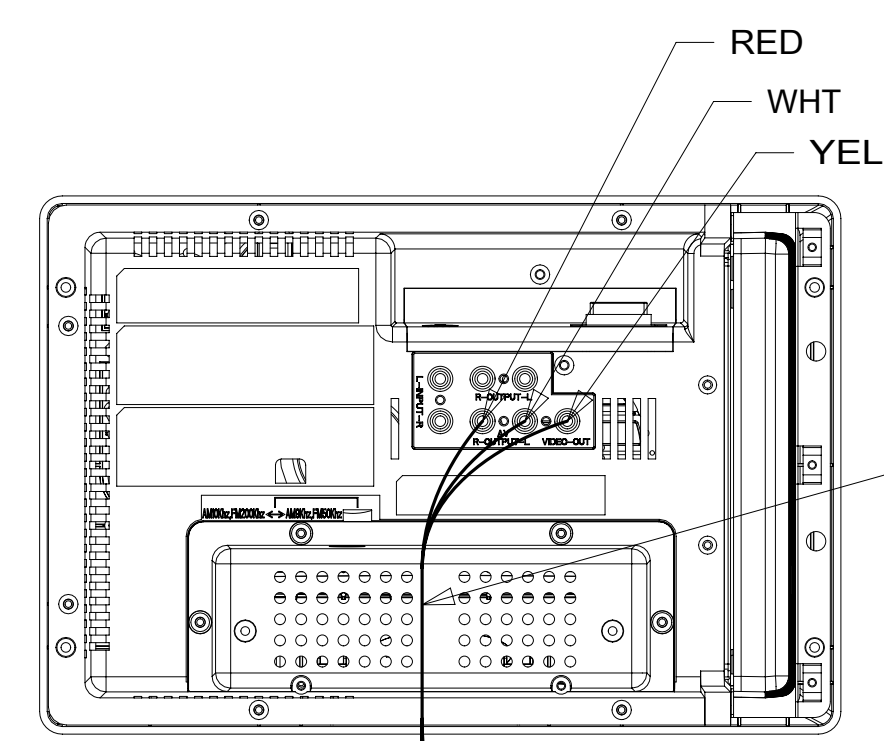
PLUG CONVERTER POWER CORD INTO CONVICENCE RECPTACLE



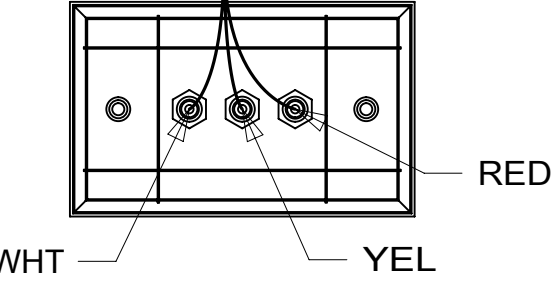
DETAIL BC



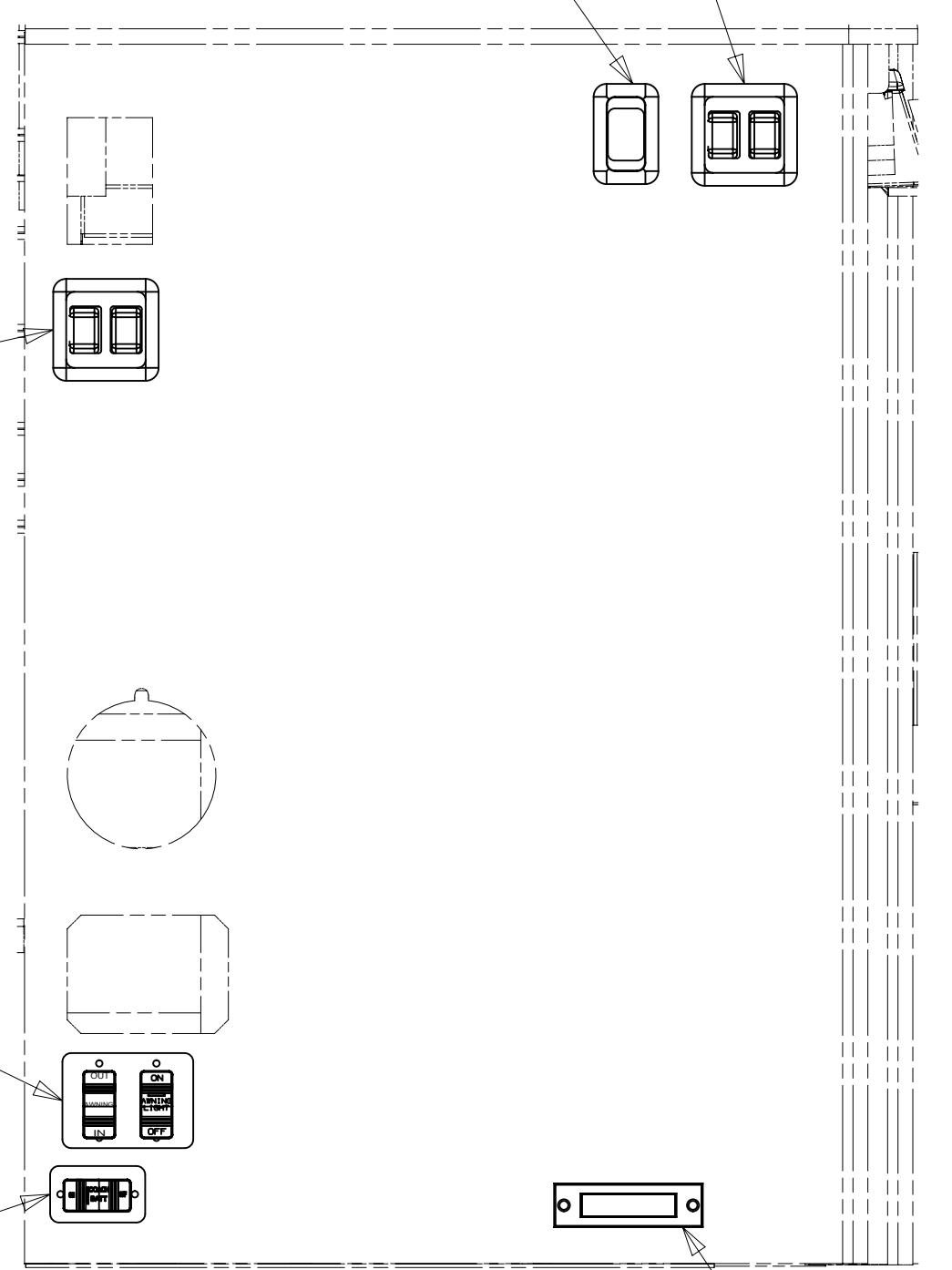
DETAIL BB



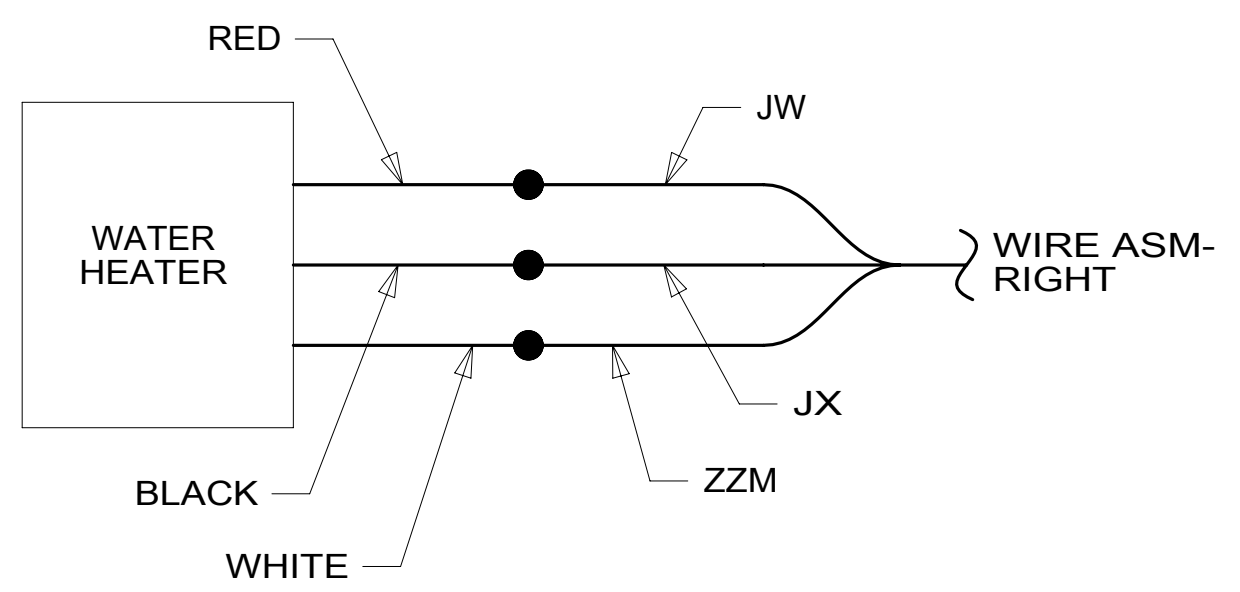
DETAIL BD 76E



DETAIL BD 76E



VIEW BA



DETAIL BE 1BT

- 9 CONNECT IN-LINE WITH RED AND WHITE AUDIO CABLES. WRAP BOTH ENDS WITH TAPE 8363-01-000 TO SECURE TO WIRE ASM.
- 8 WITHOUT 76E PLACE LIGHT ON BACKWALL OVER THE HOLE.
- 7 CIRCUIT FROM WIRE ASM-COACH.
- 6 CIRCUIT FROM WIRE ASM-CHASSIS.
- 5 SLIDEOUT AND AWNING LOCKOUTS, SEE WIRE ASM-RIGHT FOR ADDITIONAL INFORMATION.
- 4 WIRE PART OF WIRE ASM-CHASSIS.
- 3 MOUNTED ON EXTERIOR SURFACE OF SIDEWALL.
- 2 WIRES PASS THROUGH FLOOR IN THIS AREA.

1. AT MINIMUM ALL WIRES TO BE SUPPORTED AND SECURED PER CODE REQUIREMENTS. USE CLAMP 10495 OR 10497 OR WIRE TIE 8343 OR 108046 AND SCREW G67-XX-XXX OR G56-XX-XXX AS APPROPRIATE FOR INSTALLATION.

NOTES:

- 1BT WATER HEATER, TANKLESS
- 76E EXT ENTERTAINMENT SYSTEM
- 265 CODES/STANDARDS-CSA/CMVSS
- 1B1 CODES/STANDARDS USA

1B1 265

FOR ELECTRICAL TORQUE SPECIFICATIONS SEE DWG NO. 128783-01-000

FOR ELECTRICAL CALLOUTS SEE DWG NO. 121339-01-000

FIRST USED

15 727D

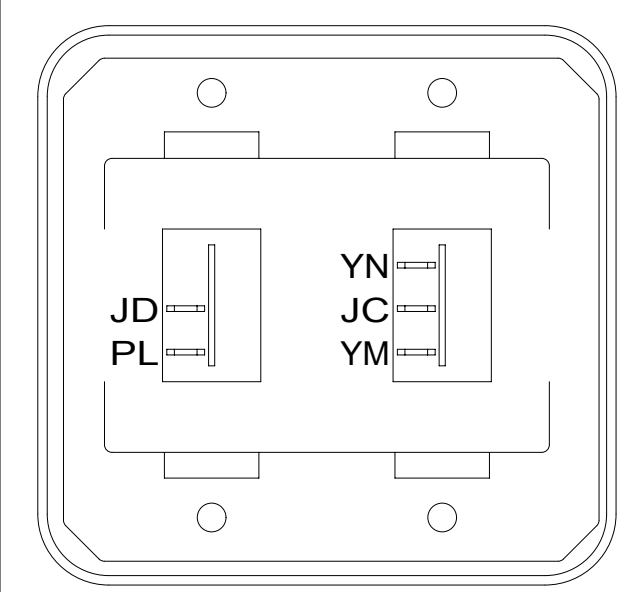
DO NOT SCALE DRAWING

TITLE: **WIRING INSTL-BODY, 12V**

SHEET 2 PART NO **190064** REV

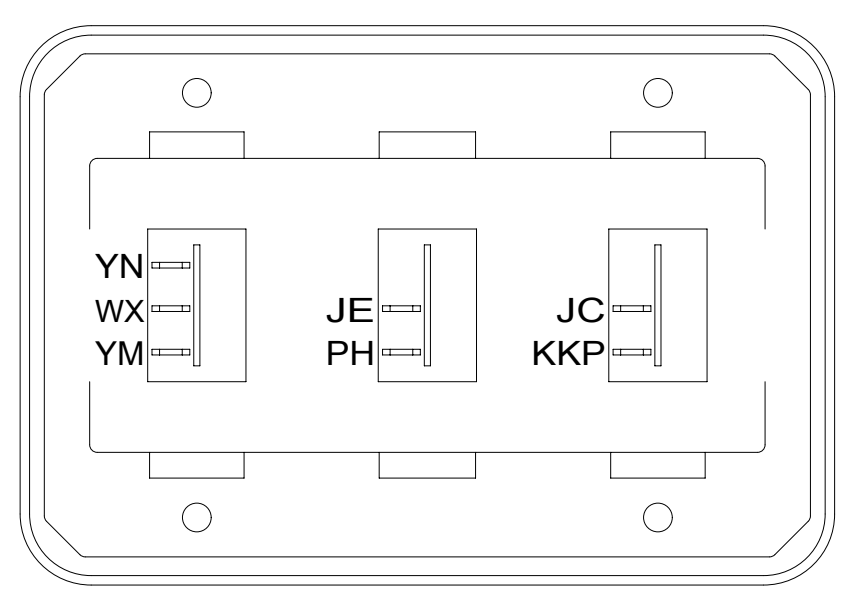
14-May-2015

190064



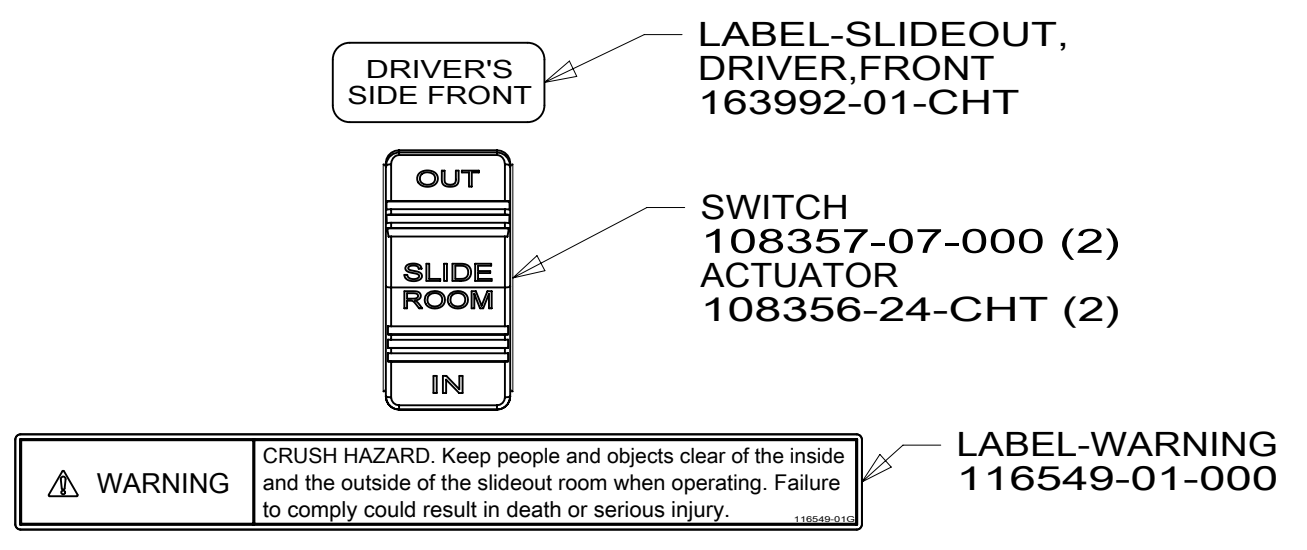
SWITCH-ROCKER
135740-01-CHT
135740-02-CHT
SWITCH-BASE
135741-02-CHT
SWITCH-BEZEL
135742-02-CHT
SCREW
G11-08-08U (4)

DETAIL CA

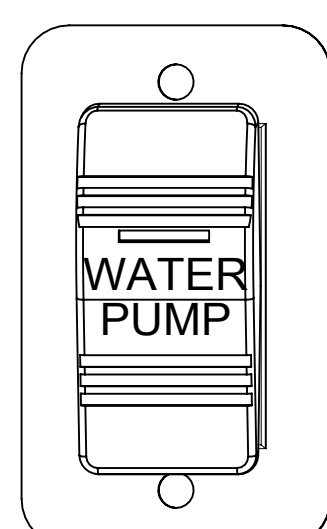


SWITCH-ROCKER
135740-01-CHT (2)
135740-02-CHT
SWITCH-BASE
135741-03-CHT
SWITCH-BEZEL
135742-03-CHT
SCREW
G11-08-08U (4)

DETAIL CE

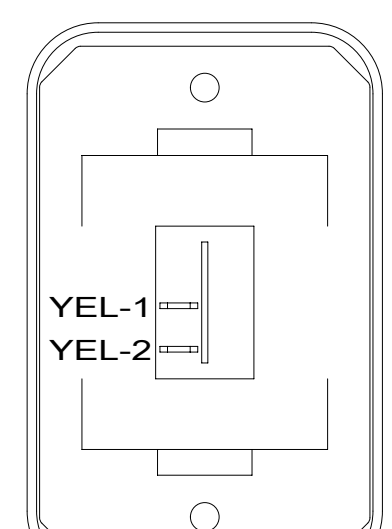


DRIVER'S SIDE FRONT
LABEL-SLIDEOUT, DRIVER,FRONT
163992-01-CHT
SWITCH
108357-07-000 (2)
ACTUATOR
108356-24-CHT (2)
WARNING CRUSH HAZARD. Keep people and objects clear of the inside and the outside of the slideout room when operating. Failure to comply could result in death or serious injury.
LABEL-WARNING
116549-01-000



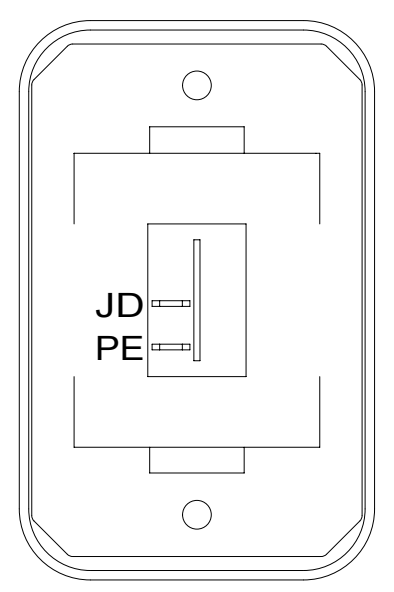
SWITCH-PUMP
108357-21-000
ACTUATOR
108356-23-CHT
PLATE
098351-07-CHT
SCREW
G11-06-10U (2)

DETAIL CL



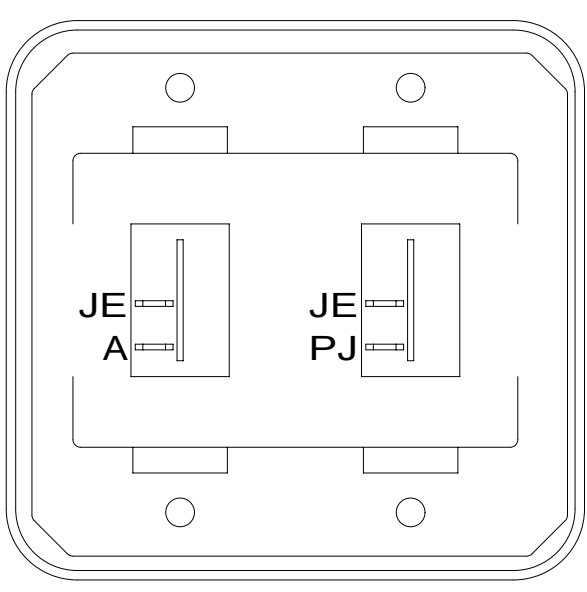
SWITCH-ROCKER
135740-01-CHT
SWITCH-BASE
135741-01-CHT
SWITCH-BEZEL
135742-01-CHT
SCREW
G11-08-08U (2)

DETAIL CR



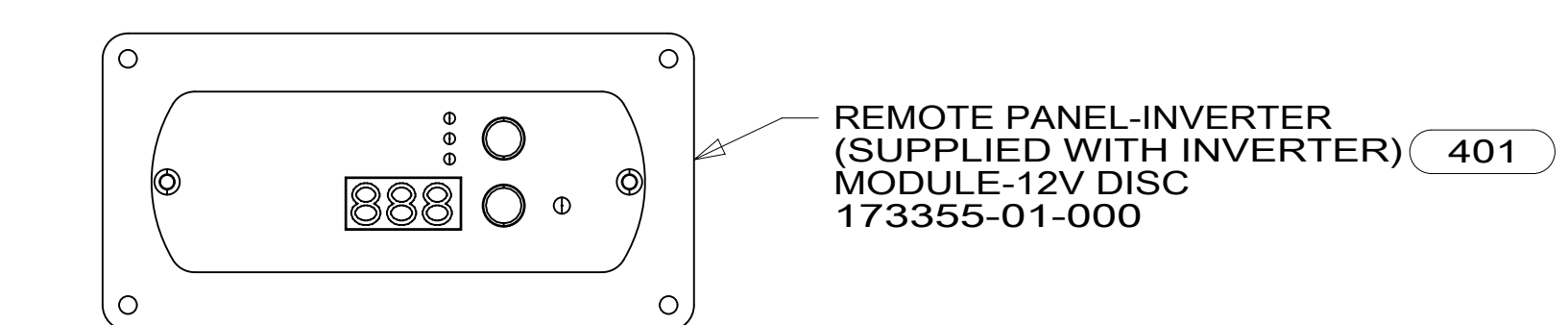
SWITCH-ROCKER
135740-01-CHT
SWITCH-BASE
135741-01-CHT
SWITCH-BEZEL
135742-01-CHT
SCREW
G11-08-08U (2)

DETAIL CB

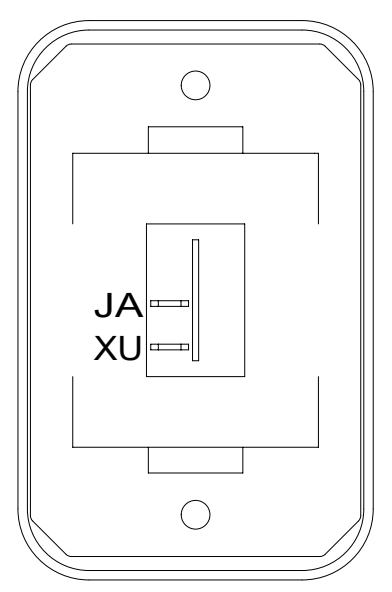


SWITCH-ROCKER
135740-01-CHT (2)
SWITCH-BASE
135741-02-CHT
SWITCH-BEZEL
135742-02-CHT
SCREW
G11-08-08U (4)

DETAIL CG

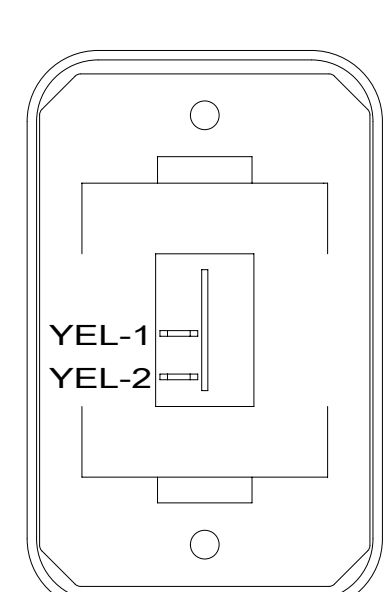


REMOTE PANEL-INVERTER
(SUPPLIED WITH INVERTER) 401
MODULE-12V DISC
173355-01-000



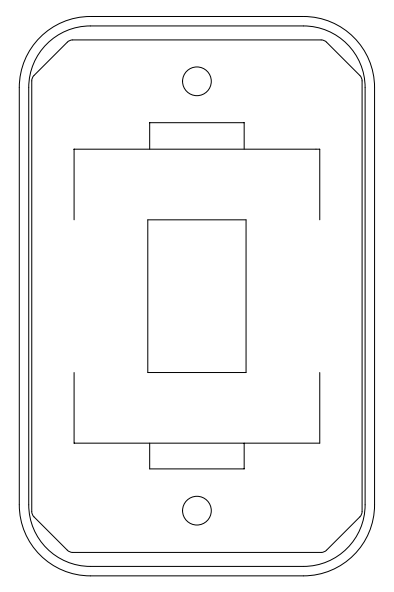
SWITCH-ROCKER
135740-01-CHT
SWITCH-BASE
135741-01-CHT
SWITCH-BEZEL
135742-01-CHT
SCREW
G11-08-08U (2)

DETAIL CN



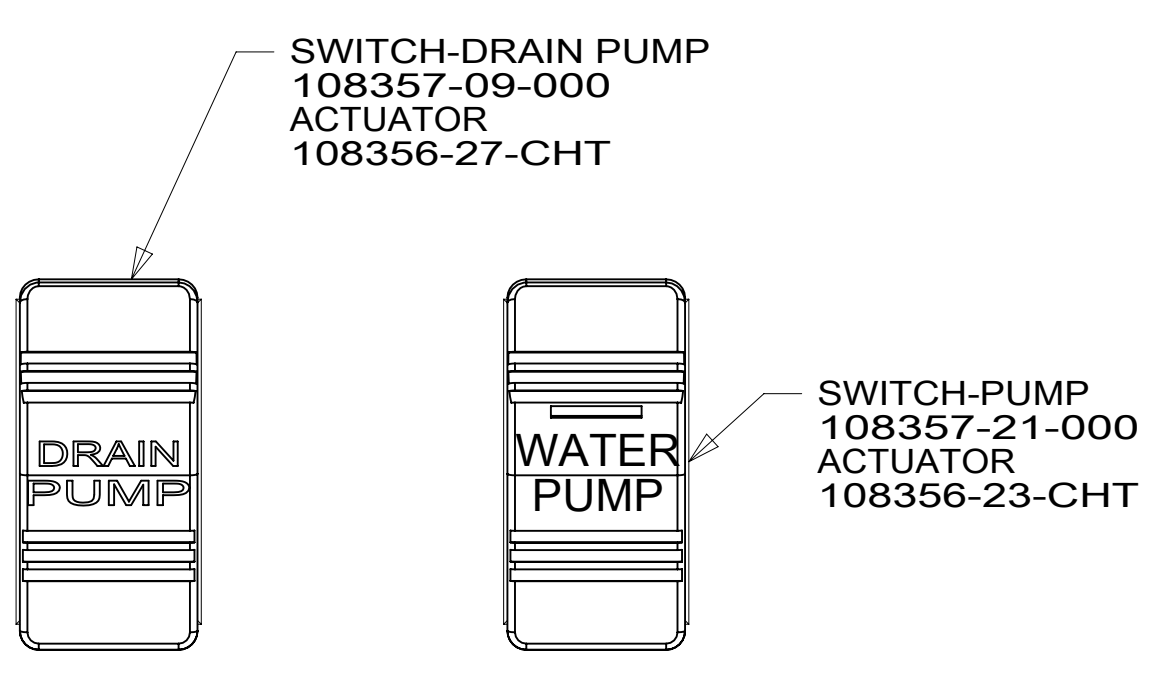
SWITCH-ROCKER
135740-01-CHT
SWITCH-BASE
135741-01-CHT
SWITCH-BEZEL
135742-01-CHT
SCREW
G11-08-08U (2)

DETAIL CS



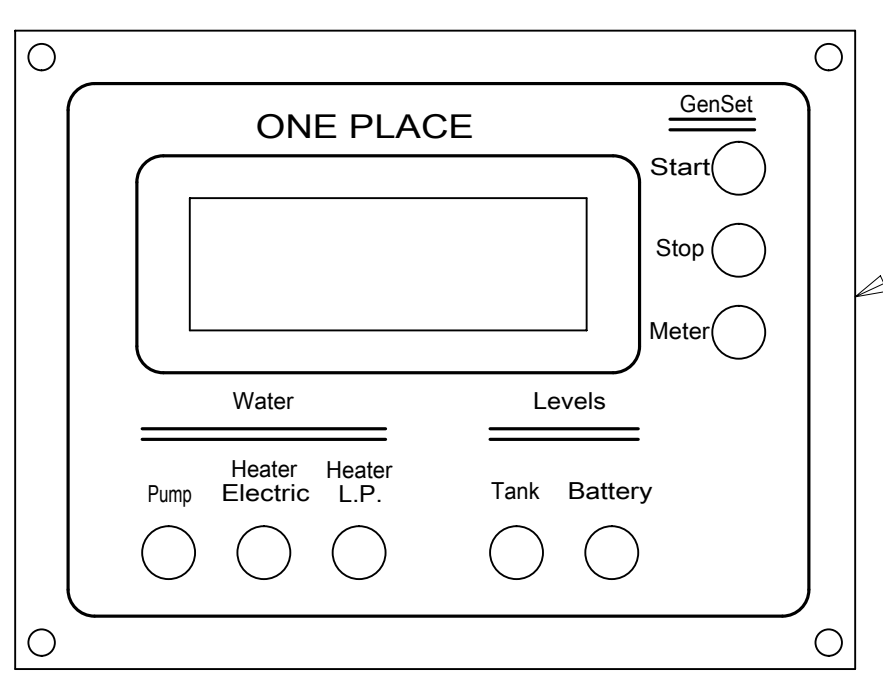
SWITCH-BLANK
138253-01-CHT
SWITCH-BASE
135741-01-CHT
SWITCH-BEZEL
135742-01-CHT
SCREW
G11-08-08U (2)

DETAIL CC



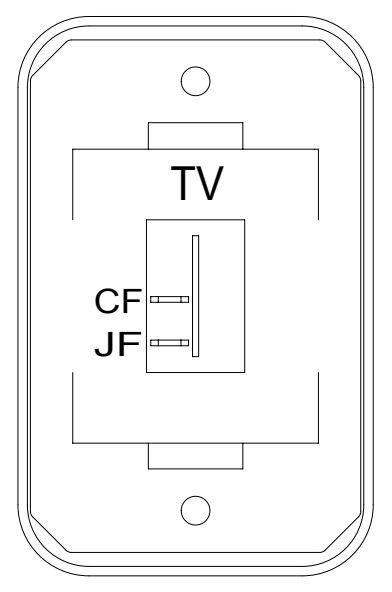
SWITCH-DRAIN PUMP
108357-09-000
ACTUATOR
108356-27-CHT
SWITCH-PUMP
108357-21-000
ACTUATOR
108356-23-CHT

DETAIL CH



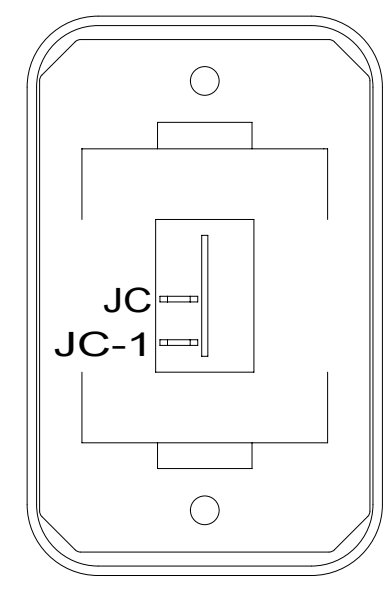
VIEW CK

PANEL-MONITOR,LCD
175724-01-000 53B
175724-04-000 1BT
SCREW
G11-08-12U (4)



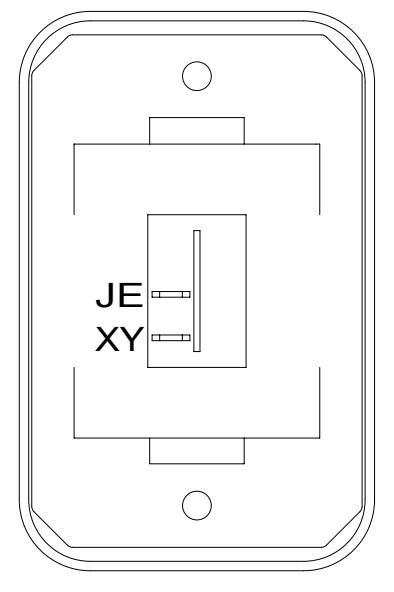
SWITCH-ROCKER
135740-01-CHT
SWITCH-BASE
135741-01-CHT
SWITCH-BEZEL
135742-45-CHT
SCREW
G11-08-08U (2)

DETAIL CP



SWITCH-ROCKER
135740-01-CHT
SWITCH-BASE
135741-01-CHT
SWITCH-BEZEL
135742-01-CHT
SCREW
G11-08-08U (2)

DETAIL CT



SWITCH-ROCKER
135740-01-CHT
SWITCH-BASE
135741-01-CHT
SWITCH-BEZEL
135742-01-CHT
SCREW
G11-08-08U (2)

DETAIL CD

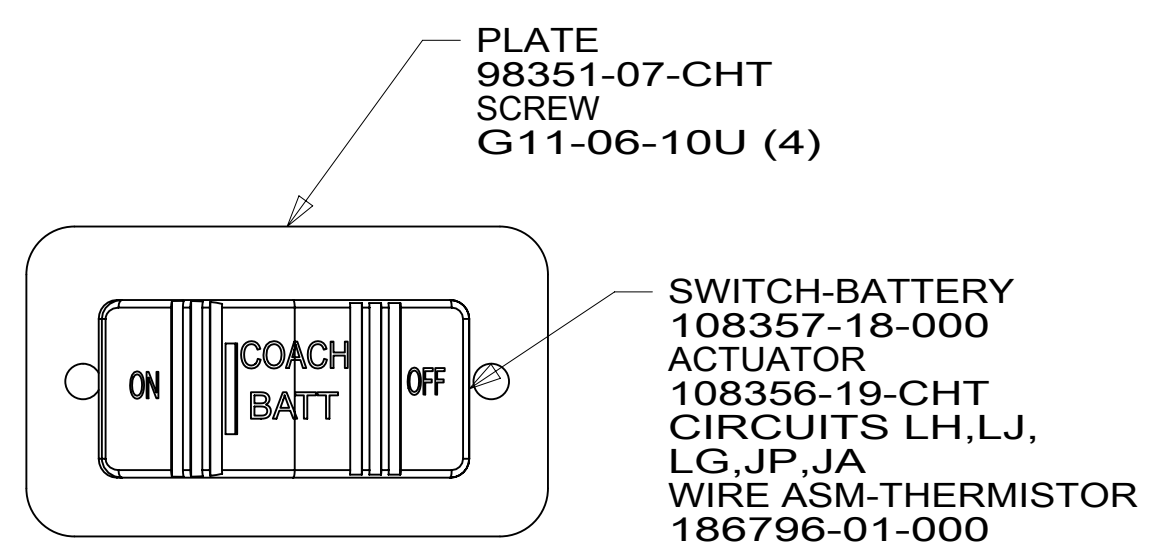


PLATE
98351-07-CHT
SCREW
G11-06-10U (4)
SWITCH-BATTERY
108357-18-000
ACTUATOR
108356-19-CHT
CIRCUITS LH,LJ,
LG,JP,JA
WIRE ASM-THERMISTOR
186796-01-000

DETAIL CJ

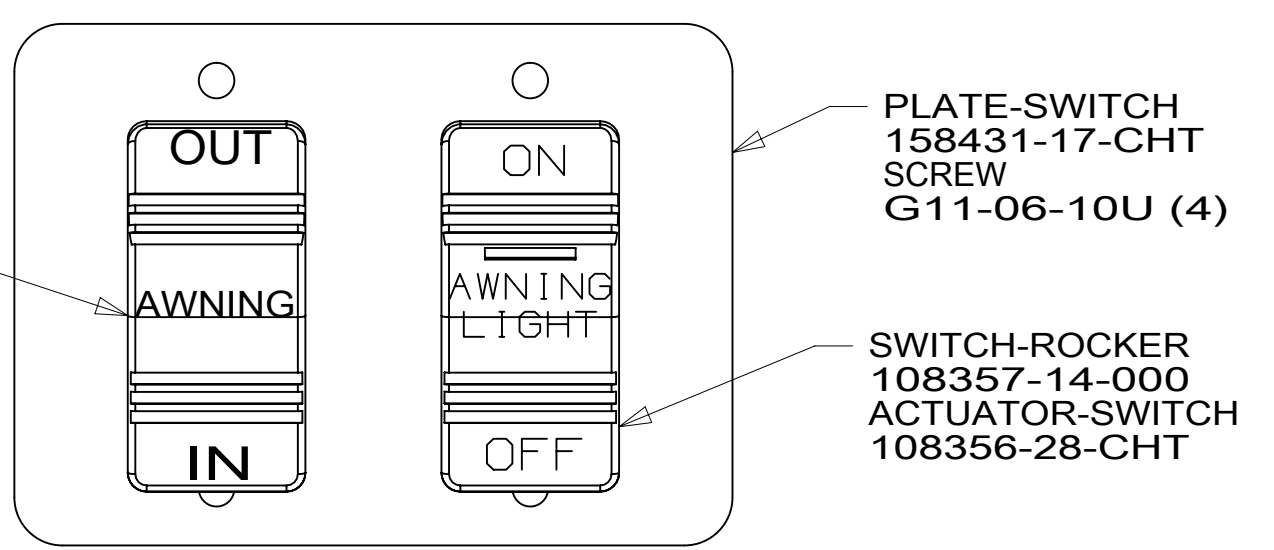
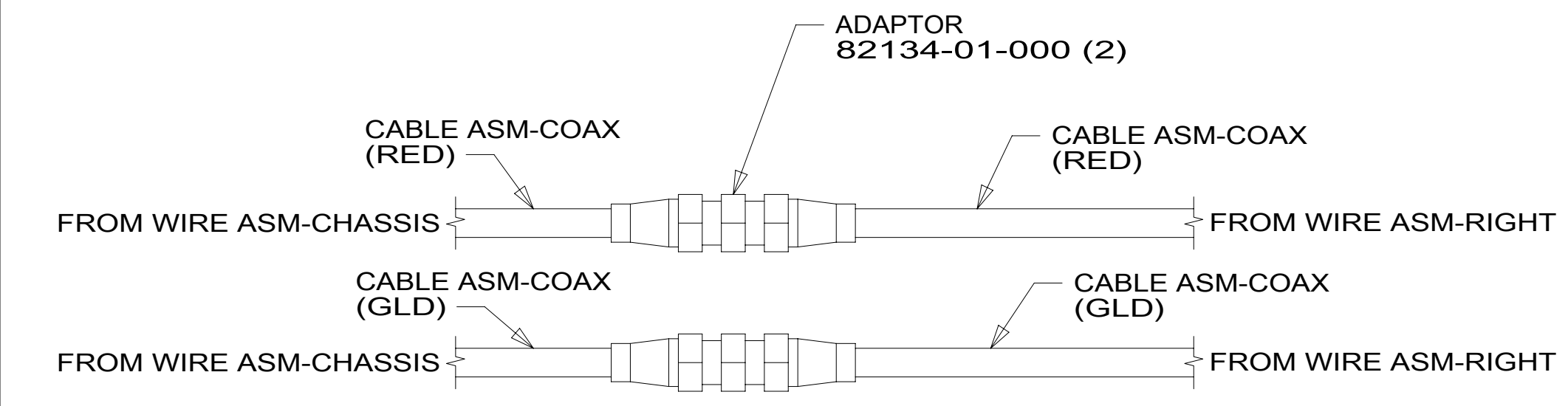
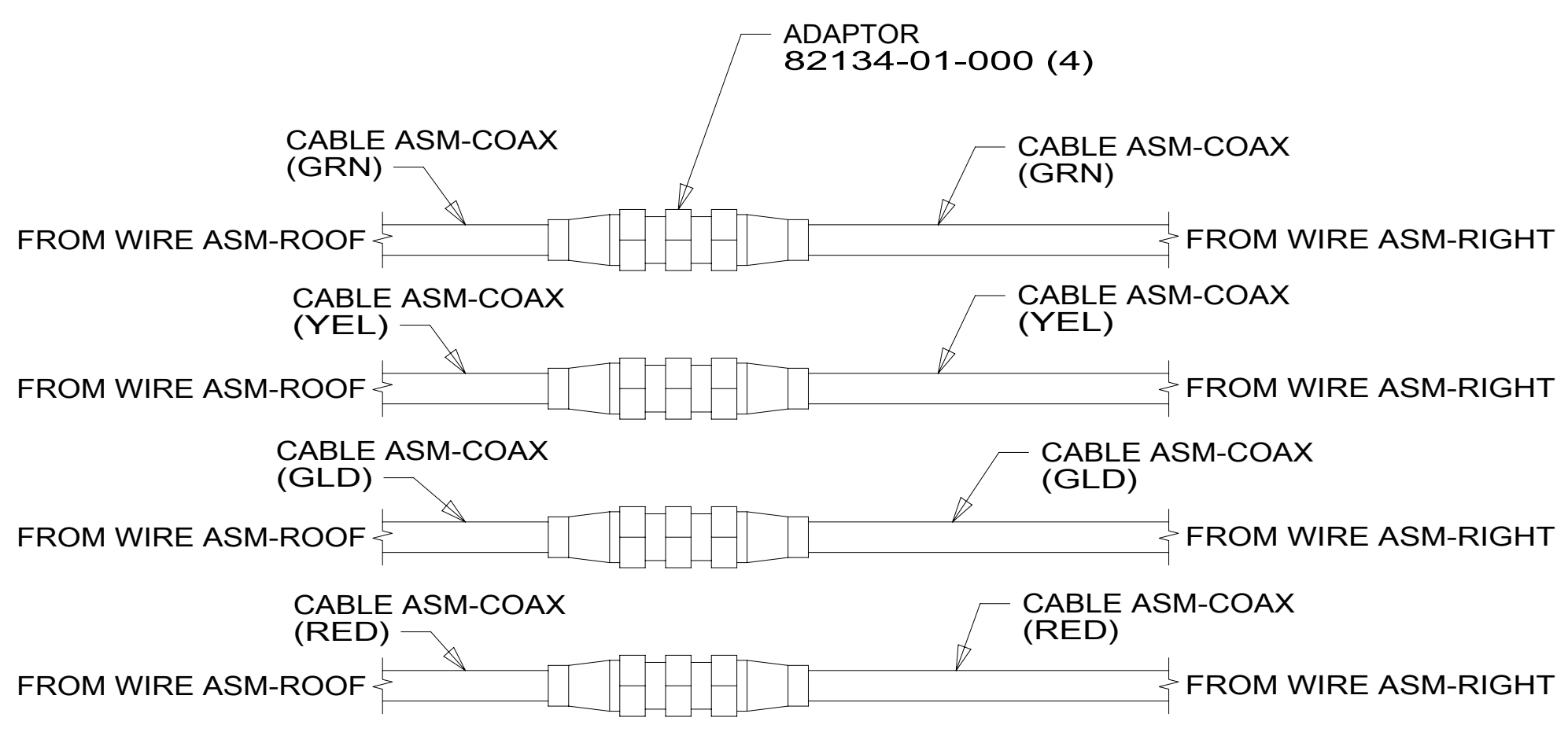


PLATE-SWITCH
158431-17-CHT
SCREW
G11-06-10U (4)
SWITCH-ROCKER
108357-06-000
ACTUATOR-SWITCH
108356-12-CHT
SWITCH-ROCKER
108357-14-000
ACTUATOR-SWITCH
108356-28-CHT

DETAIL CM



DETAIL CU



DETAIL CF

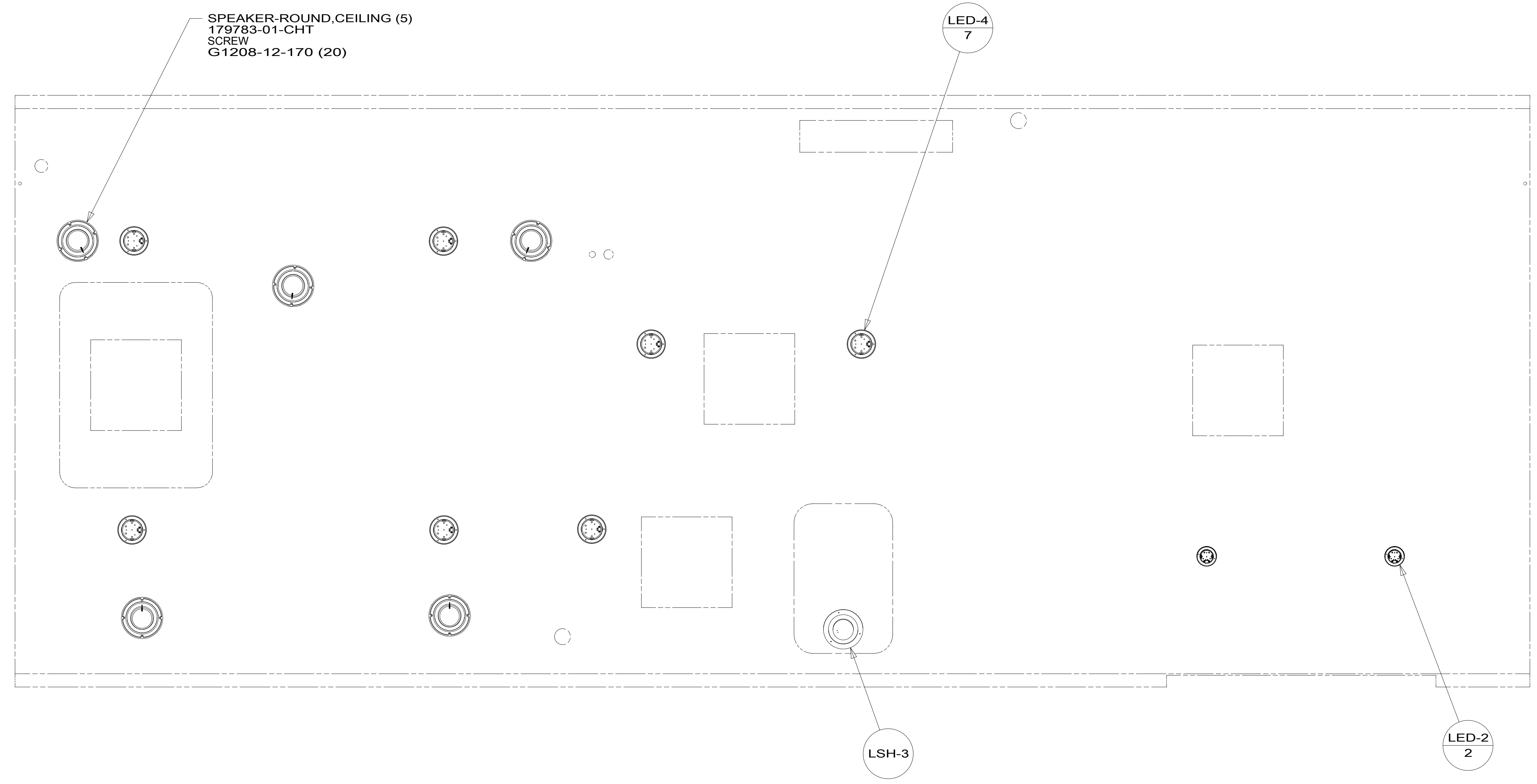
- 53B WTR HTR-6GAL ELECTRIC/LP GAS
- 1BT WATER HEATER, TANKLESS
- 401 INVERTER-DC/AC, 1000 WATT
- 265 CODES/STANDARDS-CSA/CMVSS
- 1B1 CODES/STANDARDS USA

FOR ELECTRICAL TORQUE SPECIFICATIONS SEE DWG NO. 128783-01-000

FOR ELECTRICAL CALLOUTS SEE DWG NO. 121339-01-000

| | |
|-------------------------------|----------------|
| FIRST USED | |
| 15 727D | |
| DO NOT SCALE DRAWING | |
| TITLE: WIRING INSTL-BODY, 12V | |
| SHEET 3 | PART NO 190064 |
| REV 14-May-2015 | |

190064



SPEAKER-ROUND,CEILING (5)
 179783-01-CHT
 SCREW
 G1208-12-170 (20)

LED-4
 7

LSH-3

LED-2
 2

265 CODES/STANDARDS-CSA/CMVSS

1B1 CODES/STANDARDS USA

1B1 265

FIRST USED
15 727D

DO NOT SCALE DRAWING

TITLE: **WIRING INSTL-BODY, 12V**

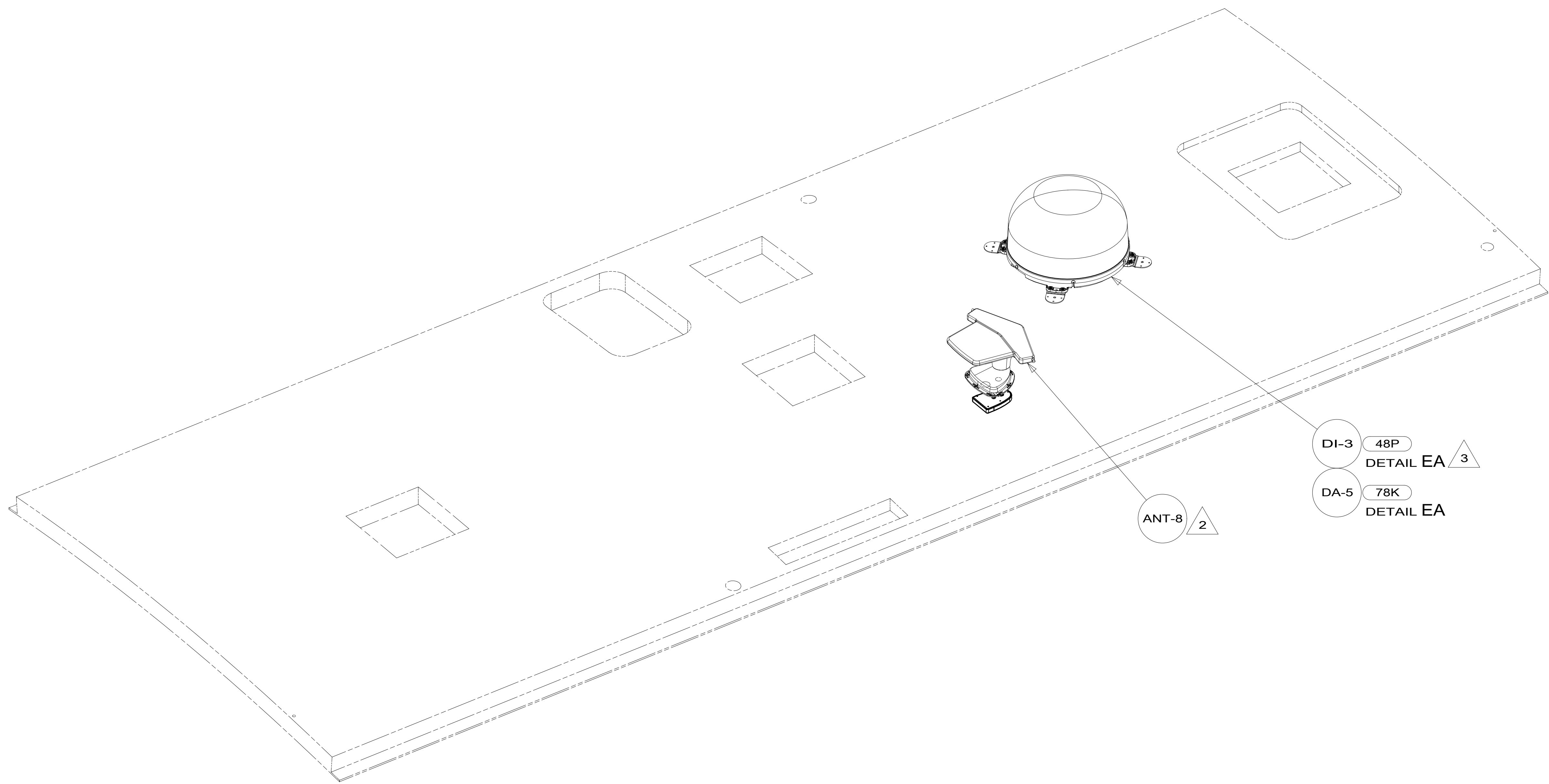
SHEET 4 PART NO **190064** REV

FOR ELECTRICAL
 TORQUE
 SPECIFICATIONS
 SEE DWG NO.
 128783-01-000

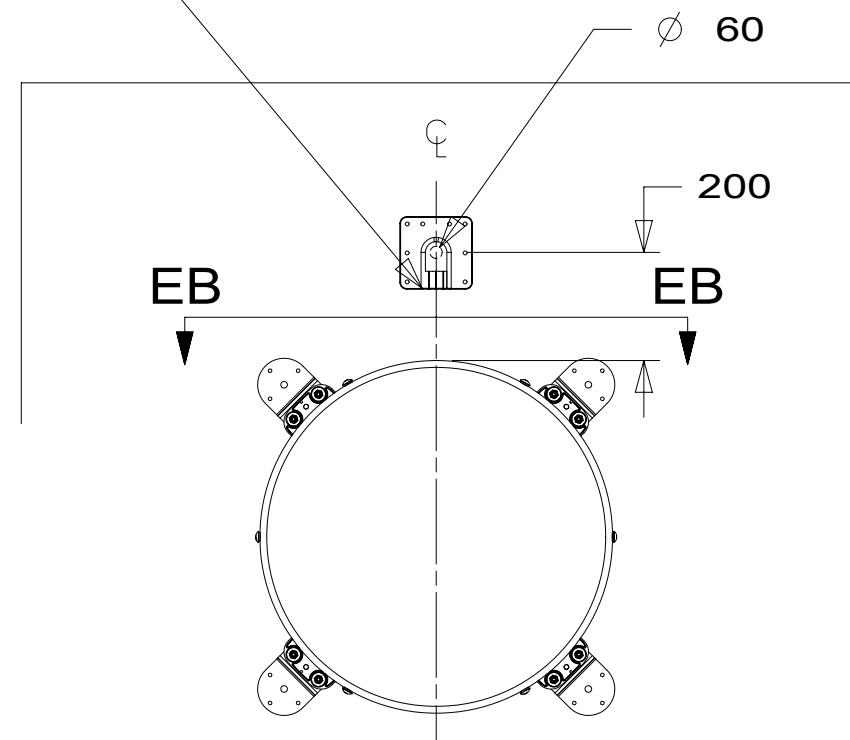
FOR
 ELECTRICAL
 CALLOUTS
 SEE DWG NO.
 121339-01-000

X-X

190064



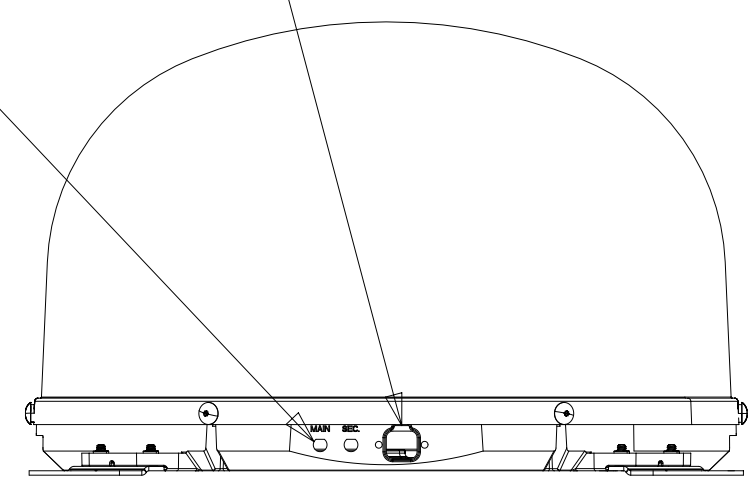
THE SATELLITE DISH WIRE CONNECTIONS ARE TO BE PLACED ON THE CENTERLINE OF THE MOTORHOME FACING FORWARD



DETAIL EA 1

CONNECT 2-PIN HOUSING FROM ROOF ASM TO SATELLITE DISH HERE AND ADD CONVULATED TUBING

CONNECT CABLE ASM COAX (ORG) FROM ROOF ASM TO MAIN INPUT ON SATELLITE DISH



VIEW EB-EB

- NOTES:
- 3 ADD CABLE-COAX 163598-04-000 AND ADAPTER-COAX 82134-01-000 TO ORG COAX TO MAKE CONNECTION WATER TIGHT.
 - 2 SEE ANTENNA INSTALLATION MANUAL FOR CORRECT INSTALLATION PROCEDURE.
 - 1 REMOVE ALL SHIPPING RESTRAINTS AND FIRMLY INSERT THE SUPPLIED PLUGS INTO THE APPROPRIATE SIZED HOLES AS SPECIFIED IN THE INSTALLATION PROCESS.

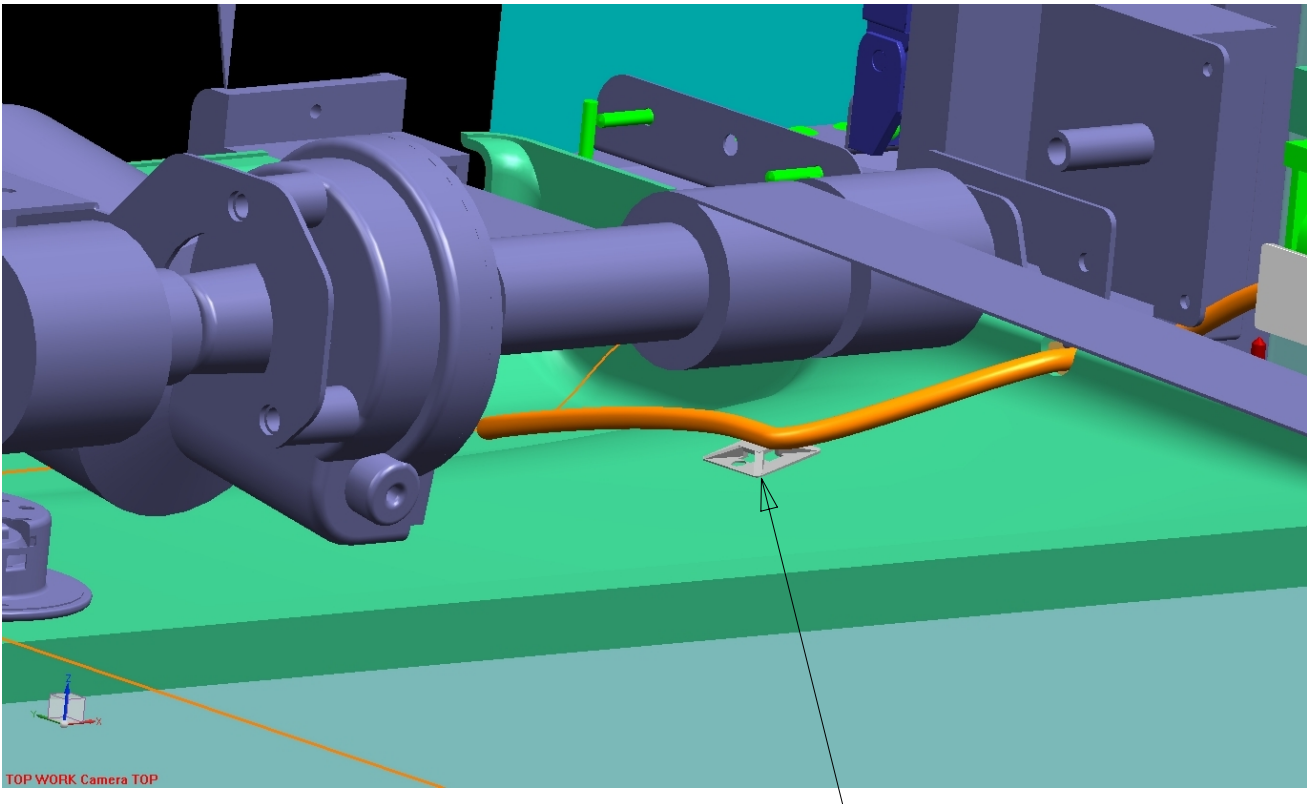
- 48P SAT TV SYSTEM IN-MOTION
- 78K SATELLITE TV SYSTEM AUTO
- 265 CODES/STANDARDS-CSA/CMVSS
- 1B1 CODES/STANDARDS USA

| | | |
|--------------------------------------|-----------------------|-----|
| FIRST USED | 15 727D | |
| DO NOT SCALE DRAWING | | |
| TITLE: WIRING INSTL-BODY, 12V | | |
| SHEET 5 | PART NO 190064 | REV |

FOR ELECTRICAL TORQUE SPECIFICATIONS SEE DWG NO. 128783-01-000

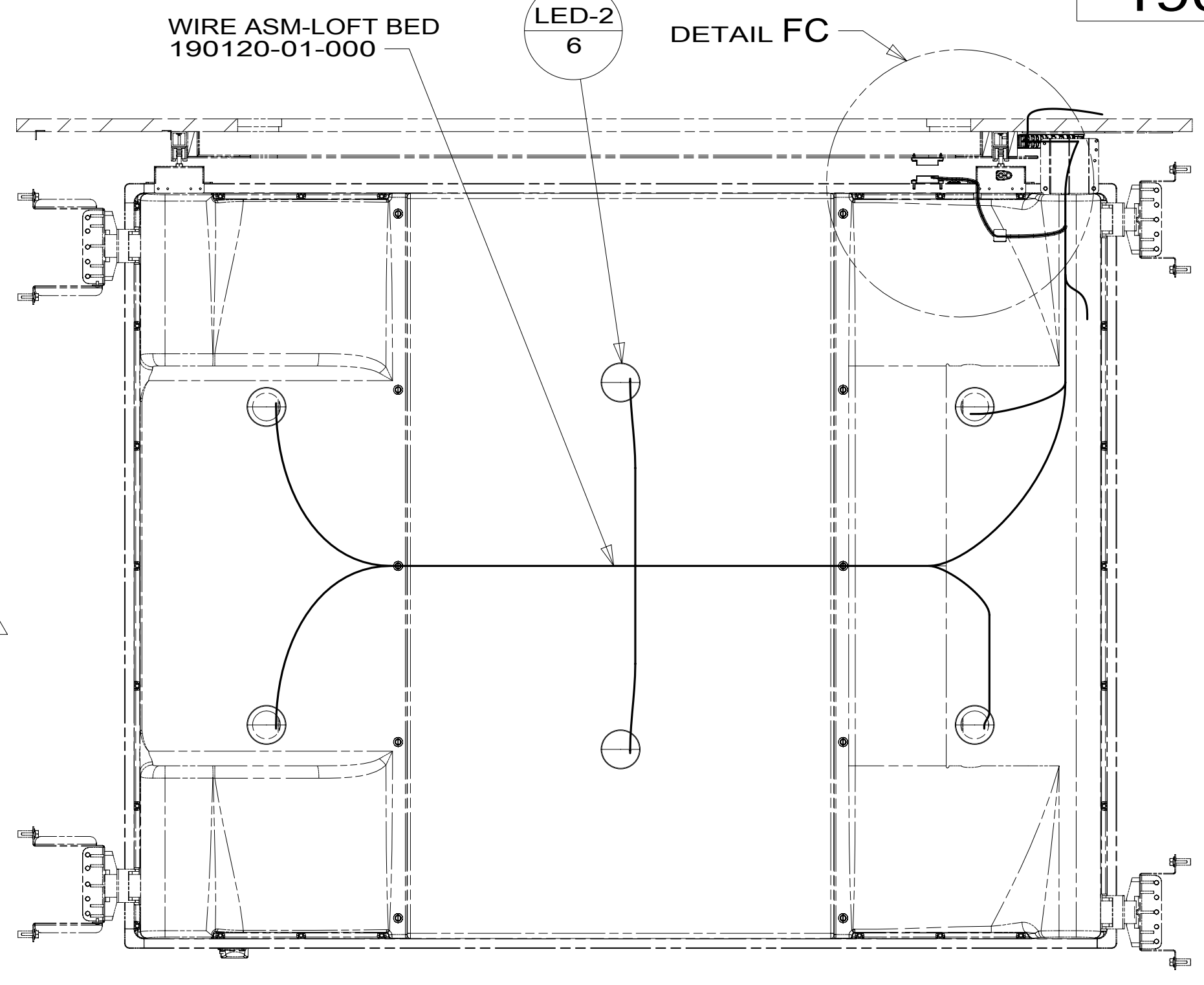
FOR ELECTRICAL CALLOUTS SEE DWG NO. 121339-01-000

190064

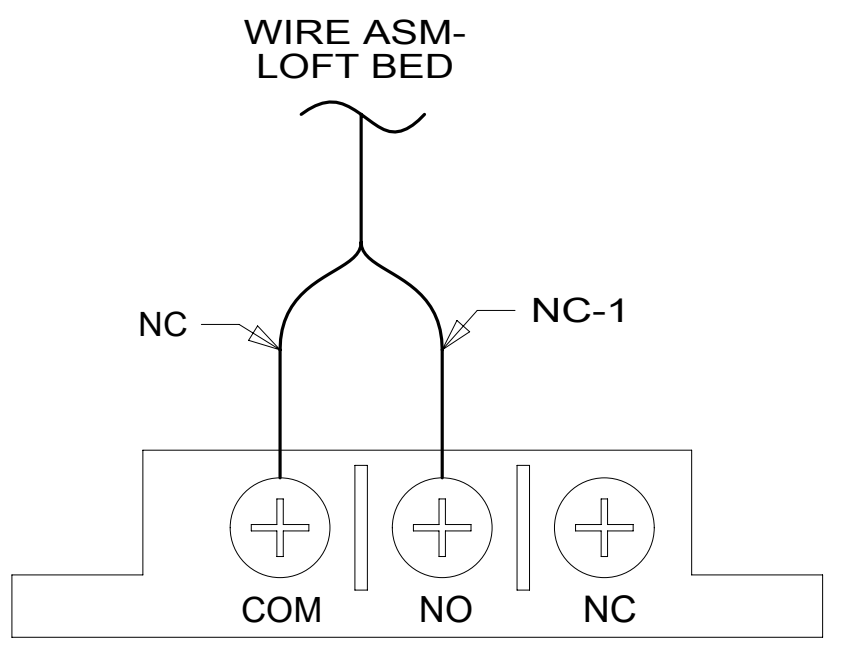


TIE-WIRE MOUNT ADHESIVE 1"
155366-01-000
TIE-WIRE
008343-03-000

VIEW FE



VIEW FB



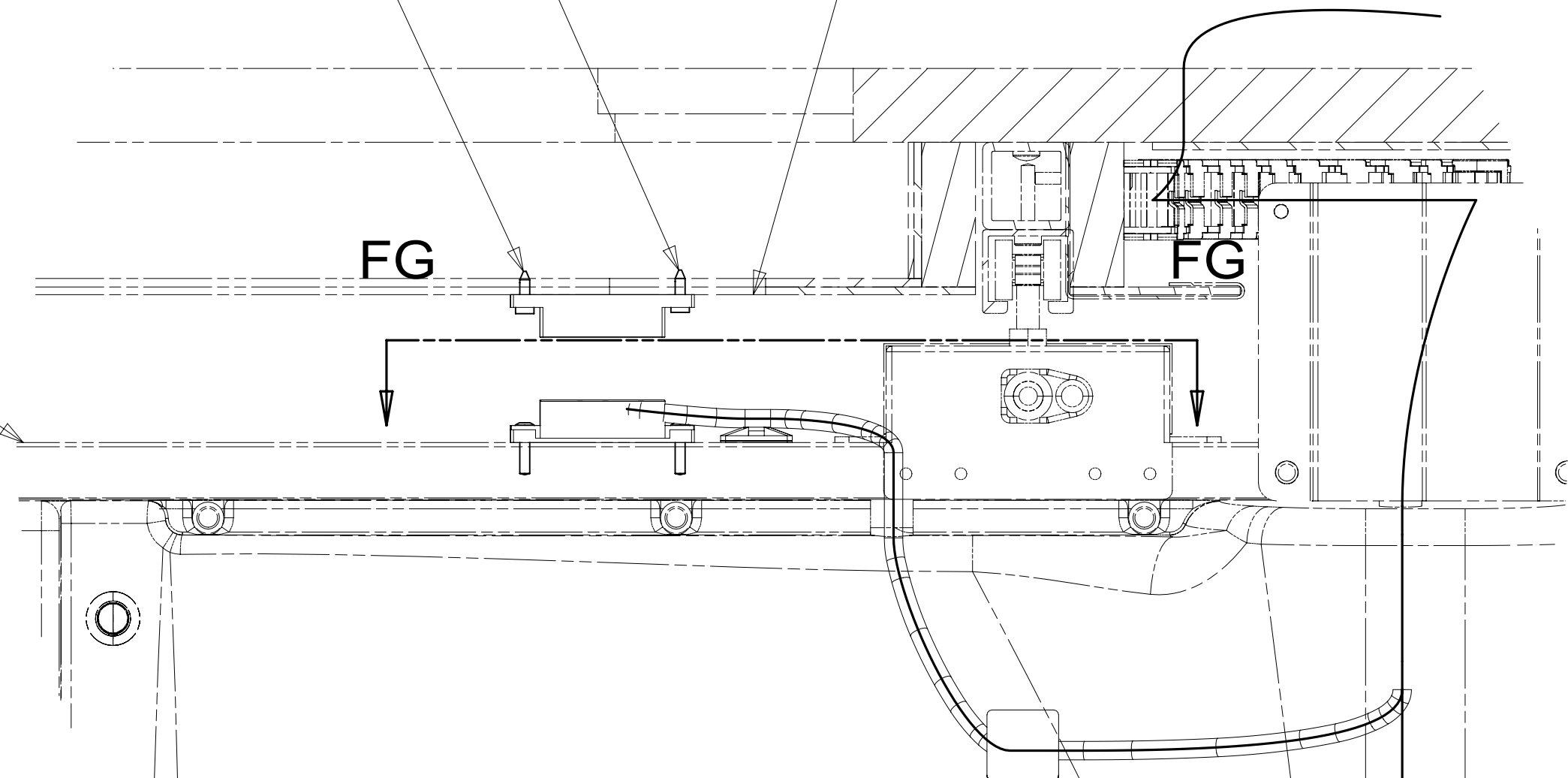
DETAIL FD

1 SCREW
076790-05-000 (2)

1 SWITCH-MAGNET,
SURFACE MOUNT
WITHOUT WIRES

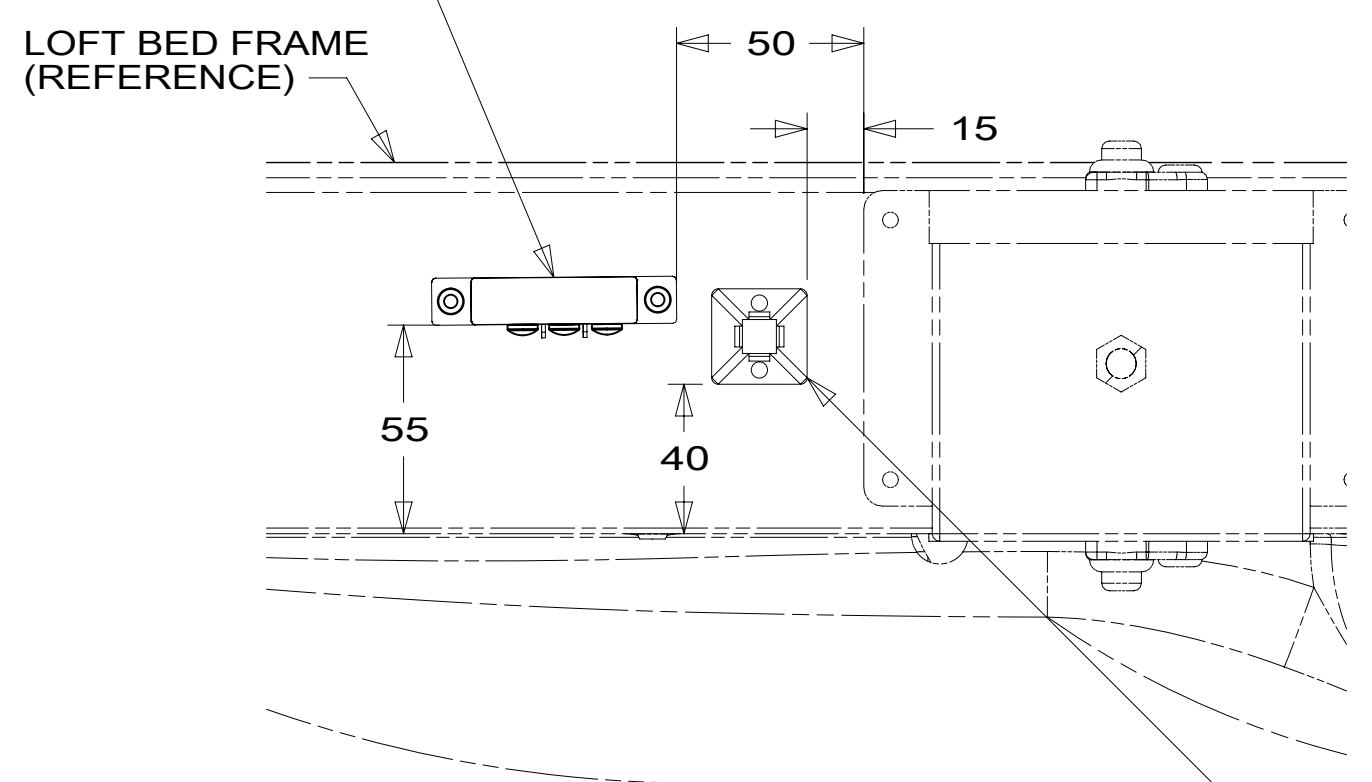
CABINET ASM-FALSE WALL,REAR ,CTR
(REFERENCE)

LOFT BED FRAME
(REFERENCE)



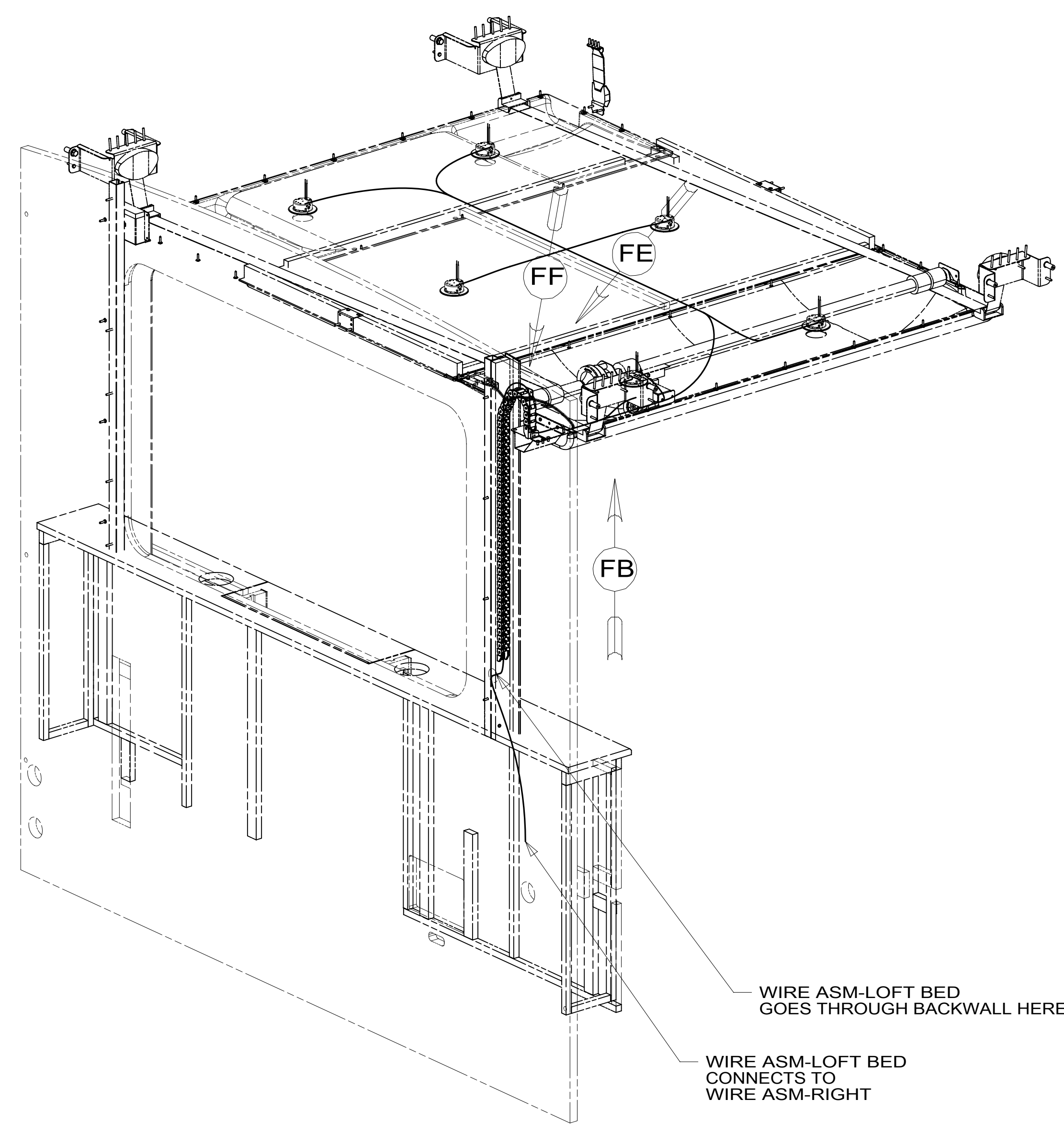
DETAIL FC

1 SWITCH-MAGNET,
SURFACE MOUNT
187753-01-CHT
SCREW
000G39-06-10U (2)
DETAIL FD



SECTION FG-FG

TIE-WIRE MOUNT ADHESIVE 1"
155366-01-000
TIE-WIRE
008343-03-000

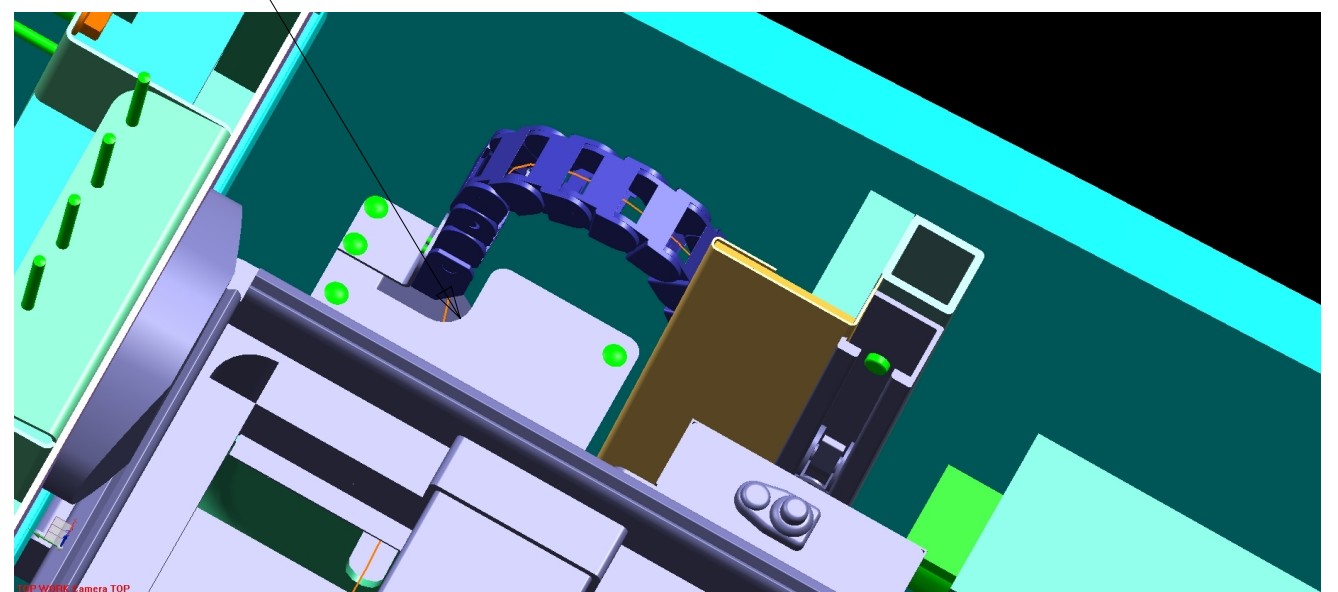


VIEW FA

WIRE ASM-LOFT BED
GOES THROUGH BACKWALL HERE

WIRE ASM-LOFT BED
CONNECTS TO
WIRE ASM-RIGHT

TRIM-EDGE
093305-01-CHT (60MM)



VIEW FF

2 MOUNT TIE-WIRE, MOUNT AND SECURE WITH TIE-WIRE SO THE WIRES WILL NOT COME IN CONTACT WITH THE BELTS ABOVE THE WIRES.

1 ATTACH THE MAGNET WITH WIRE CONNECTIONS AS SHOWN IN DETAIL FD-FD. THEN ATTACH THE MAGNET WITHOUT WIRE CONNECTIONS SO IT IS DIRECTLY ACROSS FROM THE OTHER MAGNET WHEN BED IS IN THE UP POSITION.

NOTES:

FOR ELECTRICAL
TORQUE
SPECIFICATIONS
SEE DWG NO.
128783-01-000

FOR
ELECTRICAL
CALLOUTS
SEE DWG NO.
121339-01-000

265 CODES/STANDARDS-CSA/CMVSS

1B1 CODES/STANDARDS USA

1B1 265

FIRST USED
15 727D

DO NOT SCALE DRAWING

TITLE: **WIRING INSTL-BODY, 12V**

SHEET 6 PART NO **190064** REV

1 14-May-2015

190064