



DANGER

Danger of electrical shock, burns or death. Always remove all power sources before attempting any repair, service or diagnostic work. Power can be present from shore power, generator, inverter or battery. All power sources must be disabled and secured before performing any service.



CAUTION

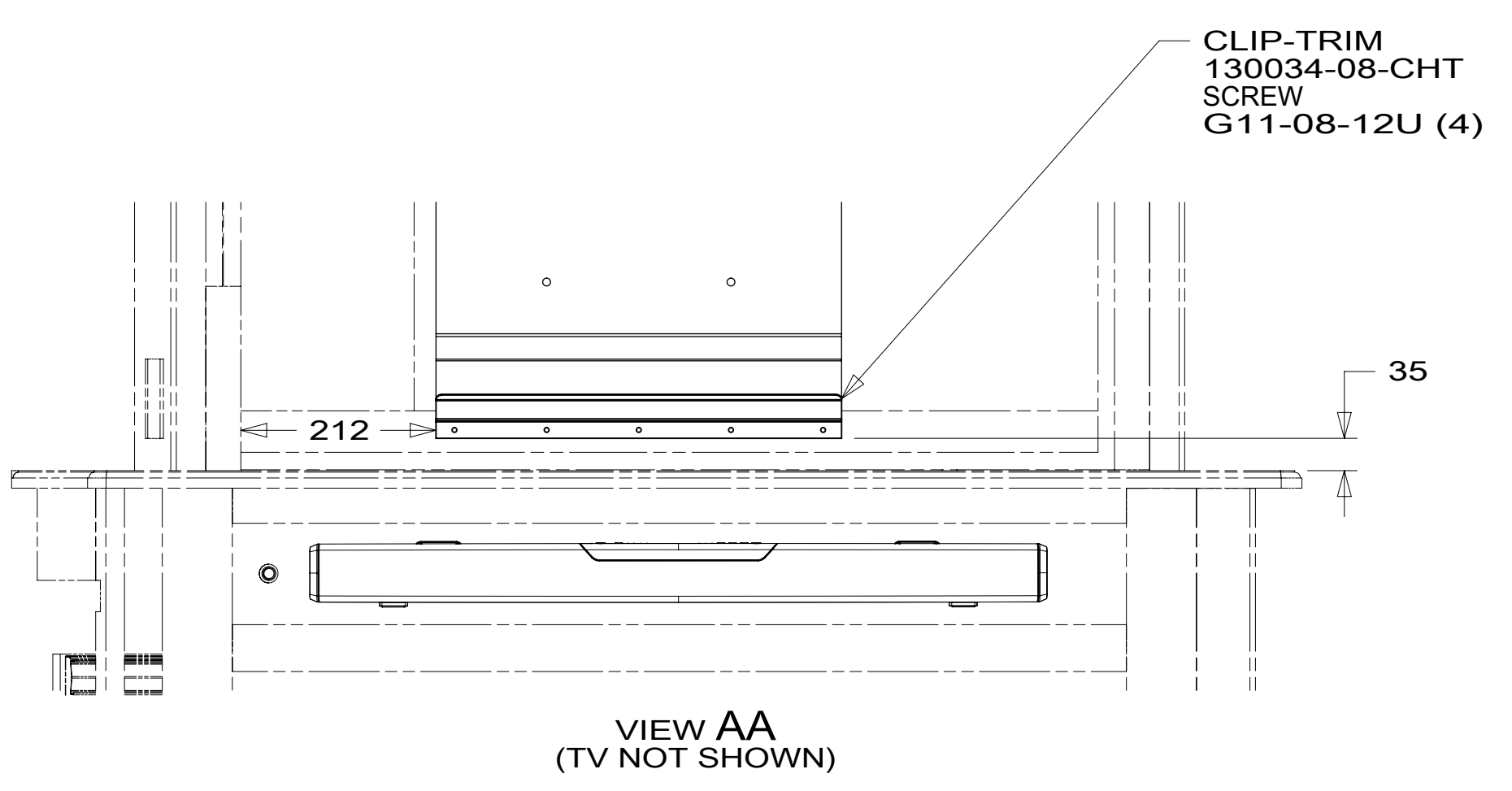
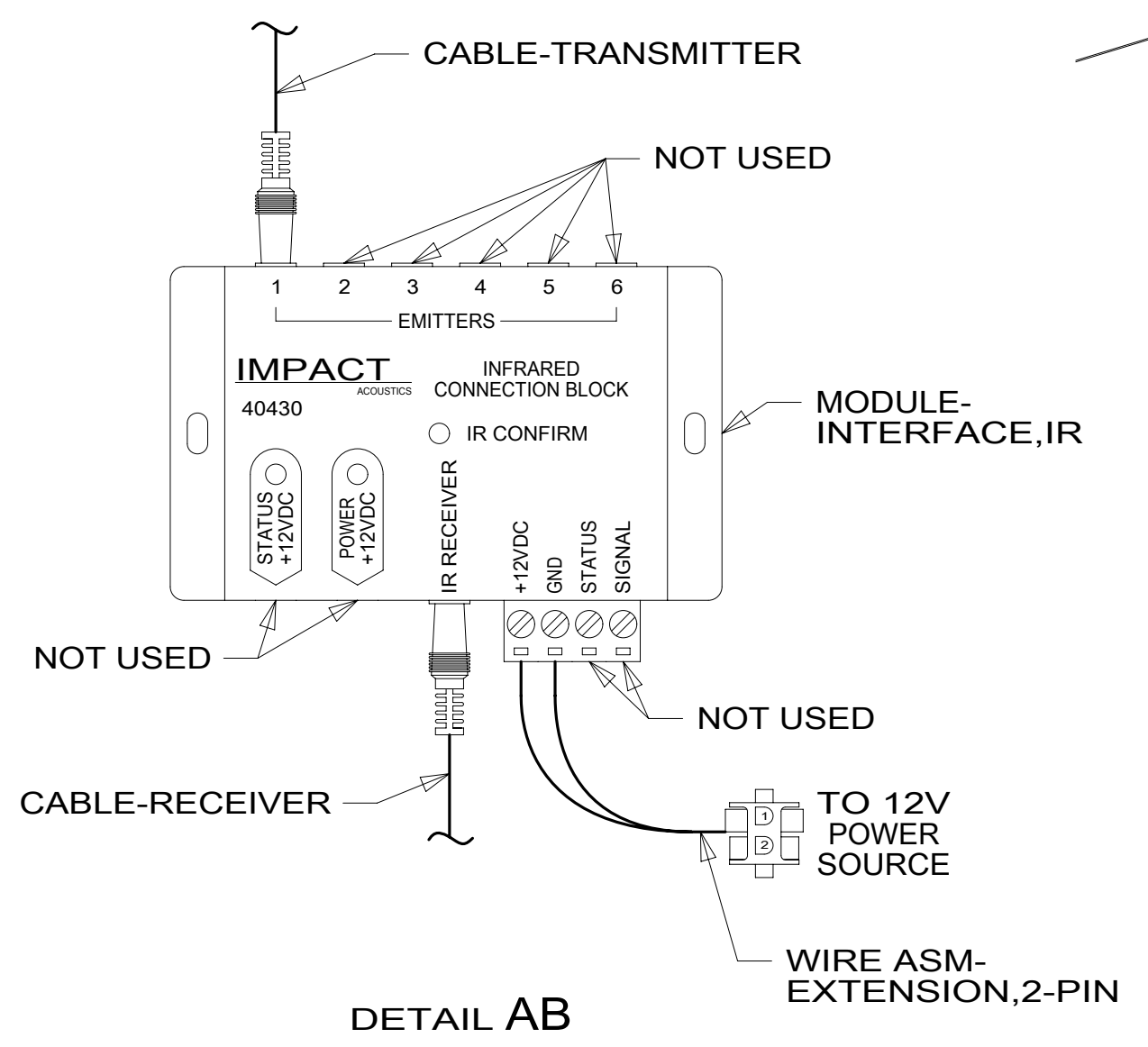
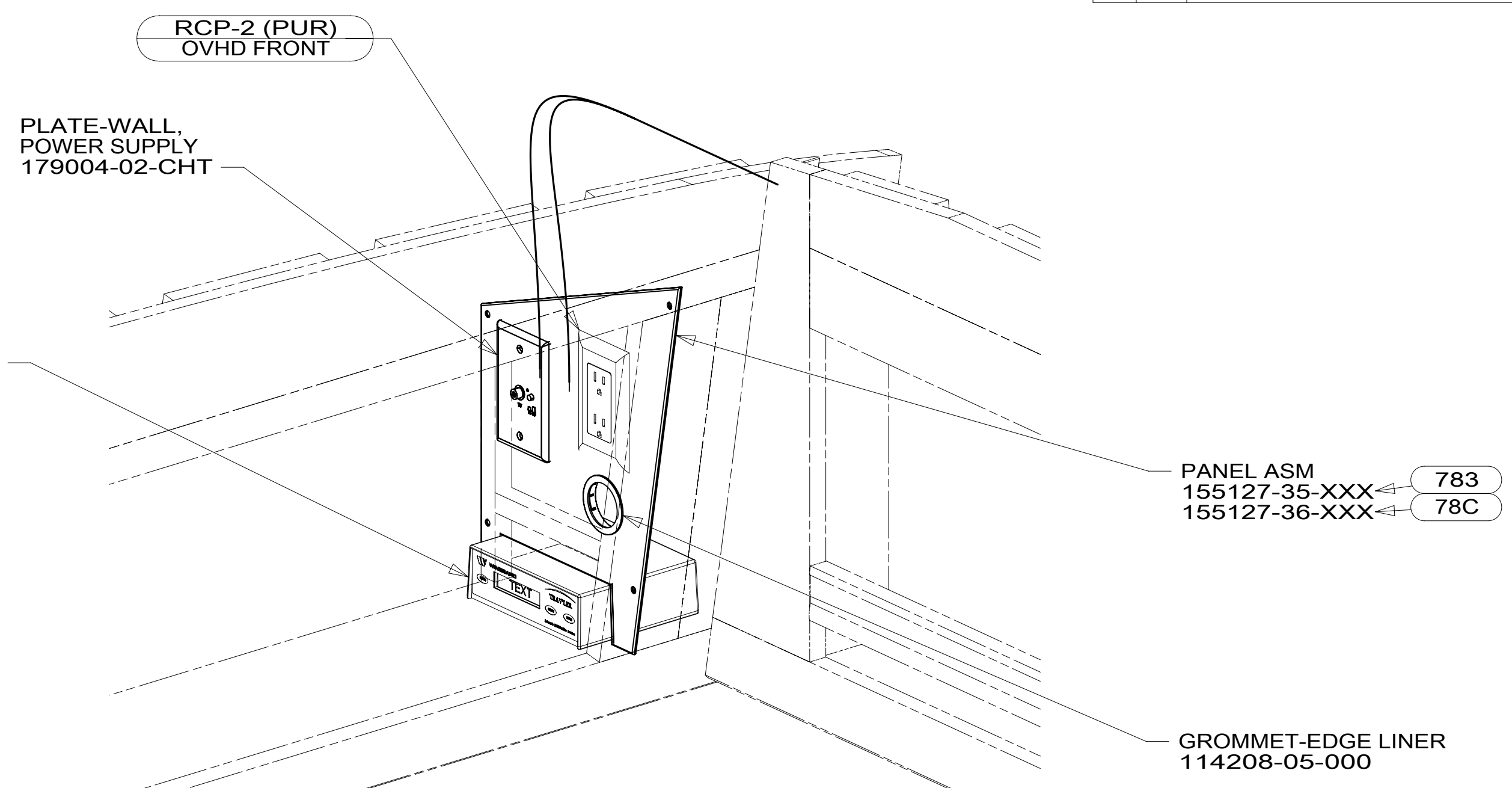
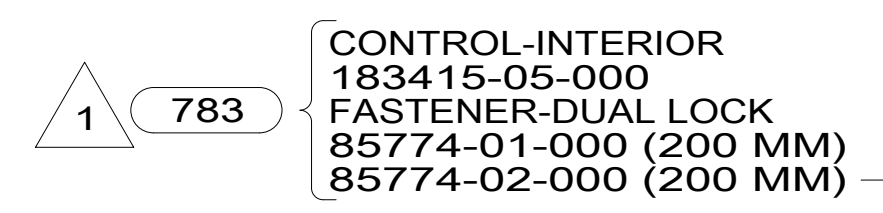
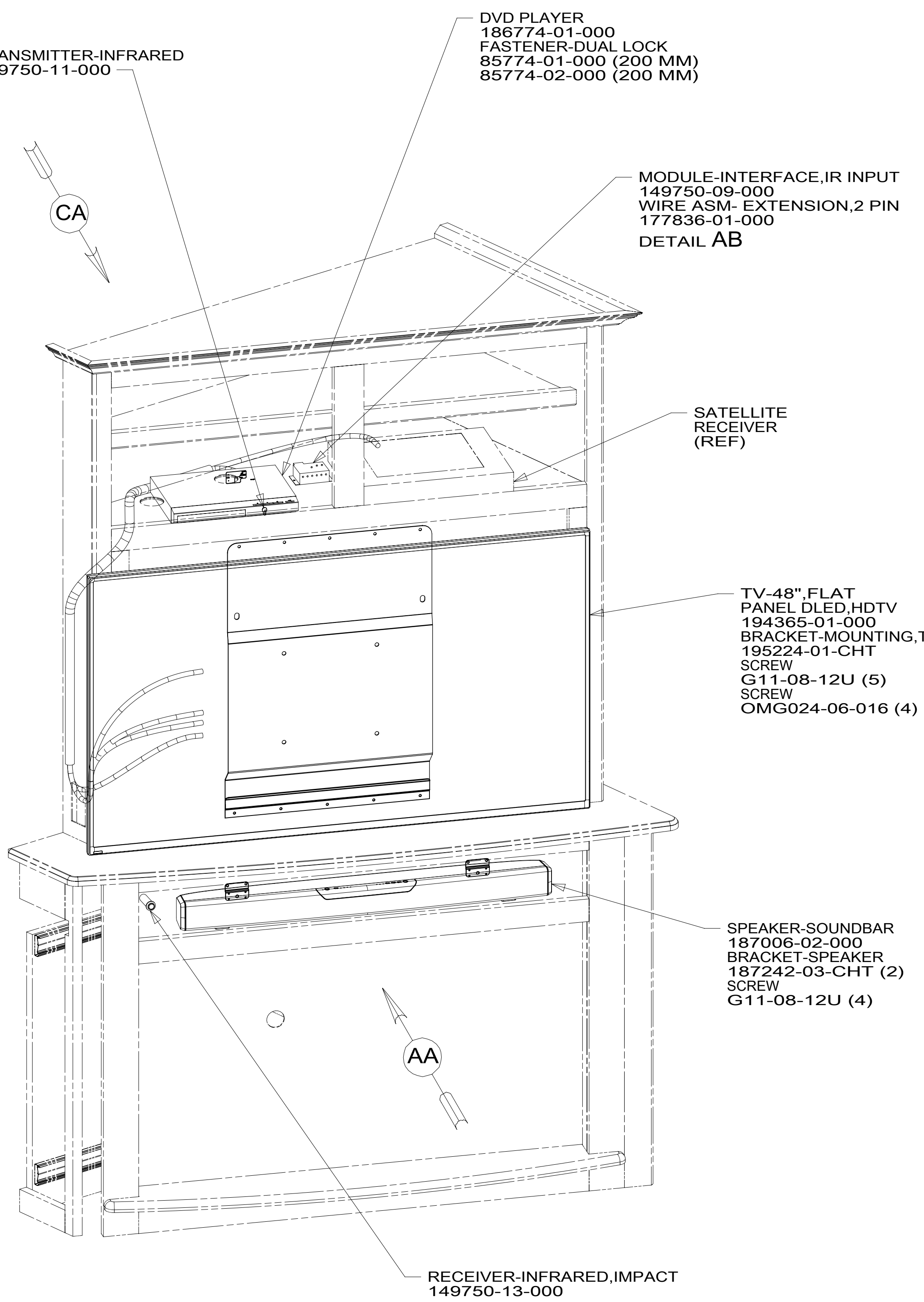
If you lack the skills, tools or equipment to perform diagnostic or repair work leave such work to an authorized Winnebago Industries dealer or other qualified shop.

| | |
|-------------|-------|
| DRAWING NO. | MODEL |
| 189993-01 | L36G |

| | | | |
|----------|-----------------|--------|----------|
| RELEASE | REV/DATE | DWG NO | 189993 |
| REV ZONE | REVISION RECORD | DATE | DFT-ORIG |

D
C
B
A

D
C
B
A



- 783 SATELLITE HD TV SYSTEM AUTOC
- 78C SATELLITE SYSTEM READY
- 265 CODES/STANDARDS-CSA/CMVSS
- 1B1 CODES/STANDARDS USA
- 1B1 265

WINNEBAGO COPYRIGHT 2014 WINNEBAGO INDUSTRIES, INC.

ALL DIMENSIONS ARE IN MILLIMETERS

15 L-SERIES

UNSPECIFIED TOLERANCES ARE:

| | |
|------------------|--------|
| WHOLE DIM (X) | : 3 |
| ONE-PLACE (X.X) | : 1.5 |
| TWO-PLACE (X.XX) | : 0.50 |
| ANGLE | : 1° |

THIRD ANGLE PROJECTION

DO NOT SCALE DRAWING REFER TO ES0018 FOR FASTENER TIGHTENING GUIDELINES

TITLE: **WIRING INSTL-TV/DVD**

SHEET 1 OF 3 PART NO **189993** REV

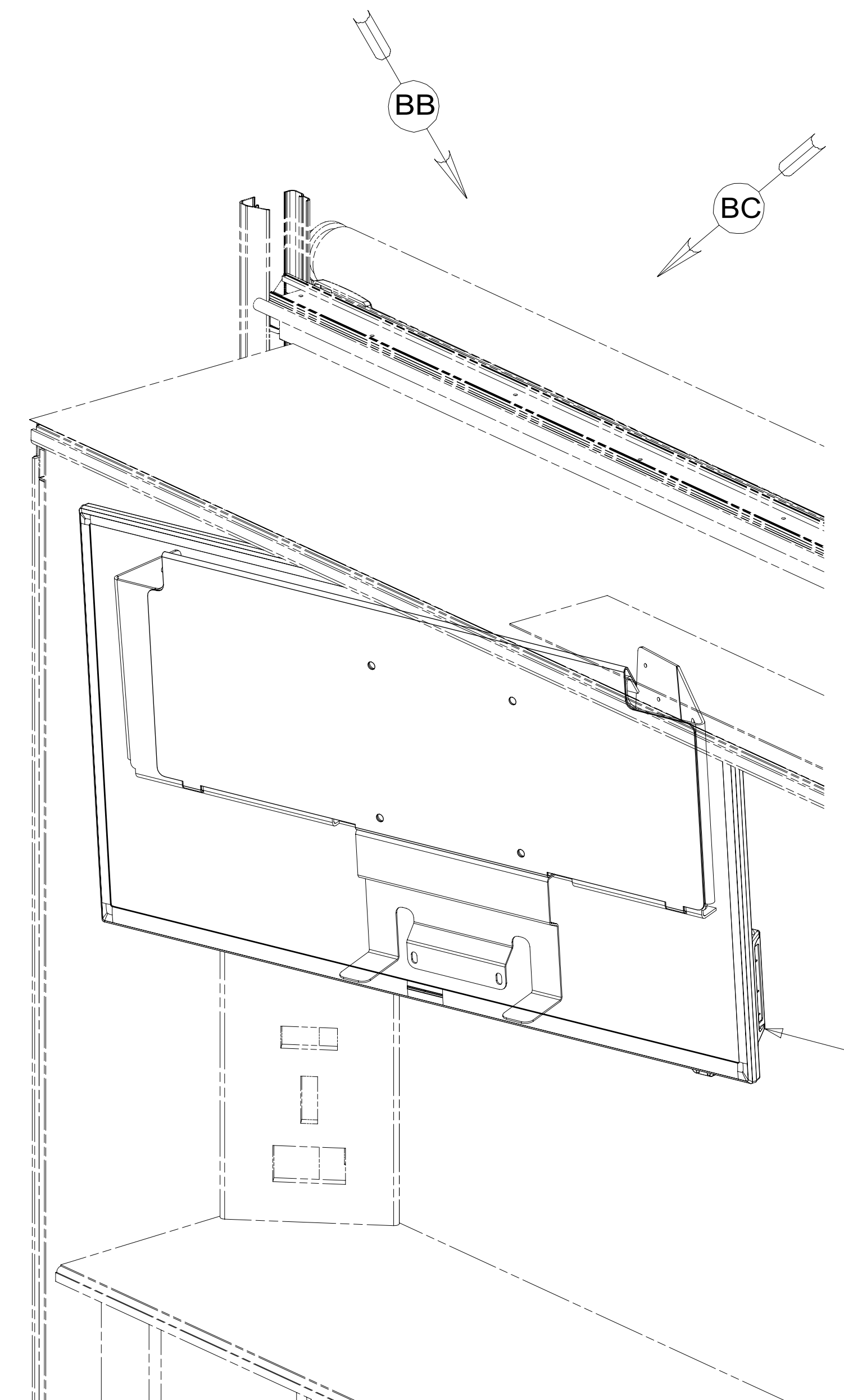
REF: 1 11-Sep-2015

- NOTES:
- 2 POSITION IR EMITTER OVER IR RECIEVER ON DVD PLAYER.
 - 1 INTERIOR CONTROL CONNECTS TO SATELLITE DATA CABLE. SEE ROOF ASM FOR ADDITIONAL INFORMATION.

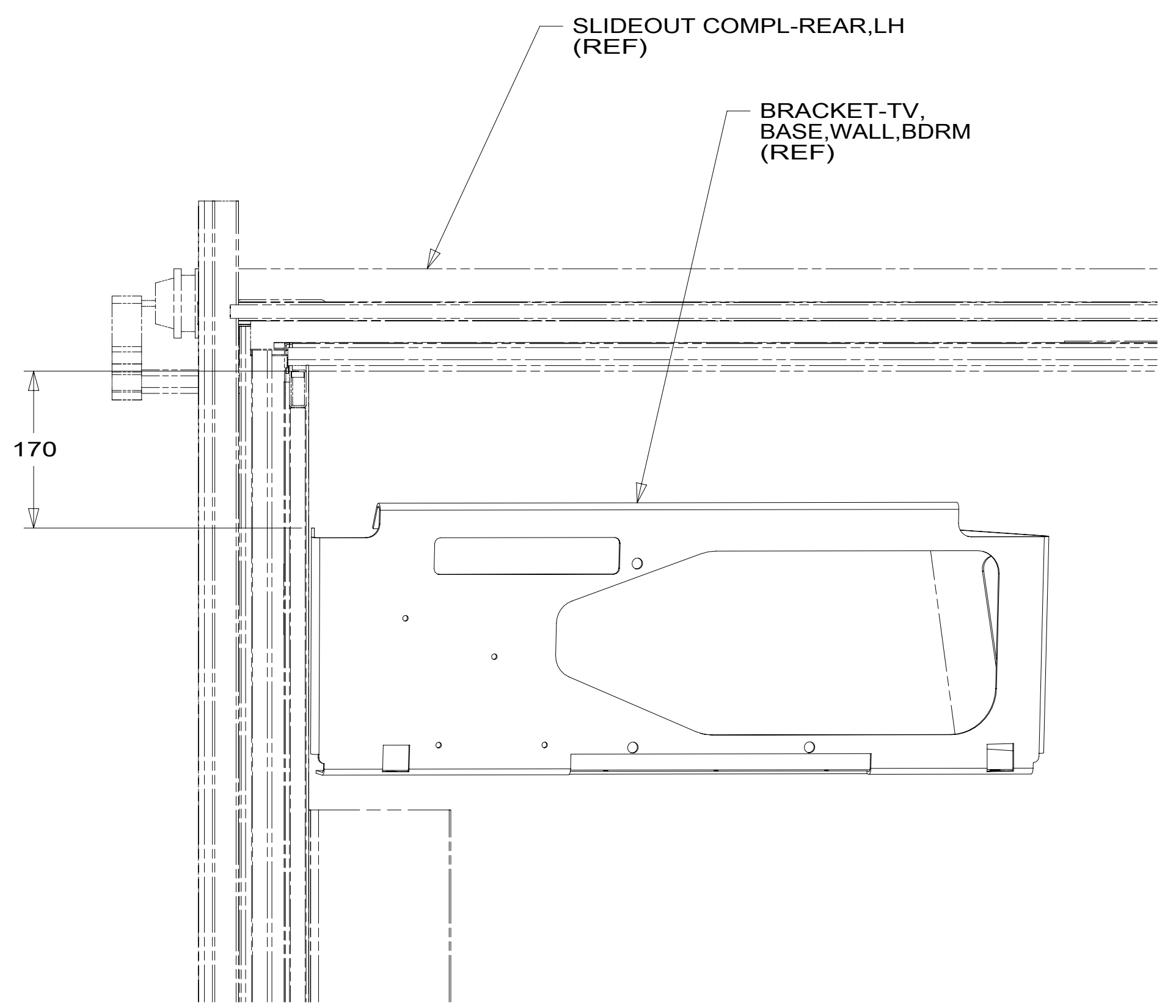
FOR ELECTRICAL TORQUE SPECIFICATIONS SEE DWG NO. 128783-01-000

FOR ELECTRICAL CALLOUTS SEE DWG NO. 121339-01-000

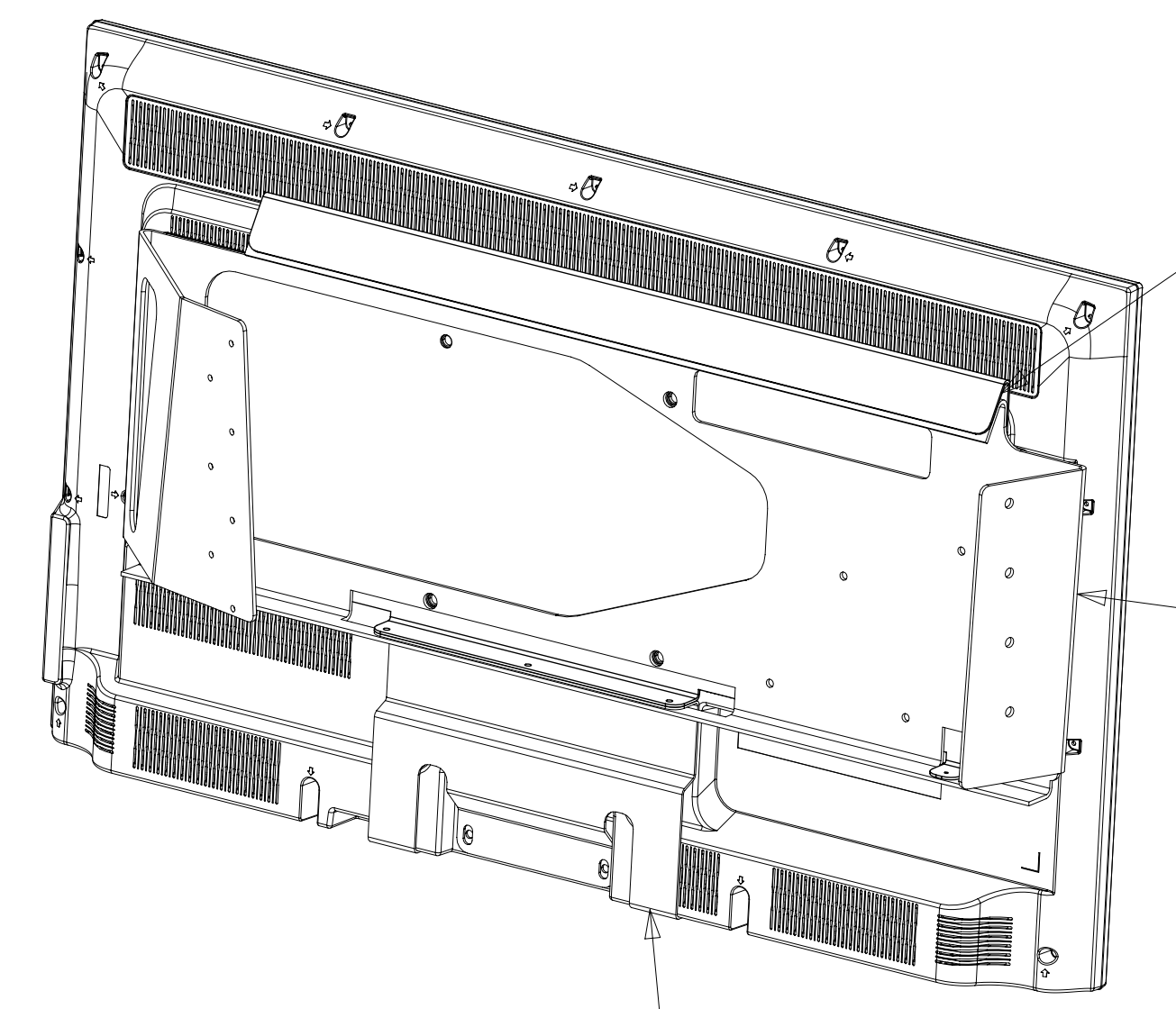
189993



TV-40" FLAT
PANEL DLED,HDTV
194364-01-000



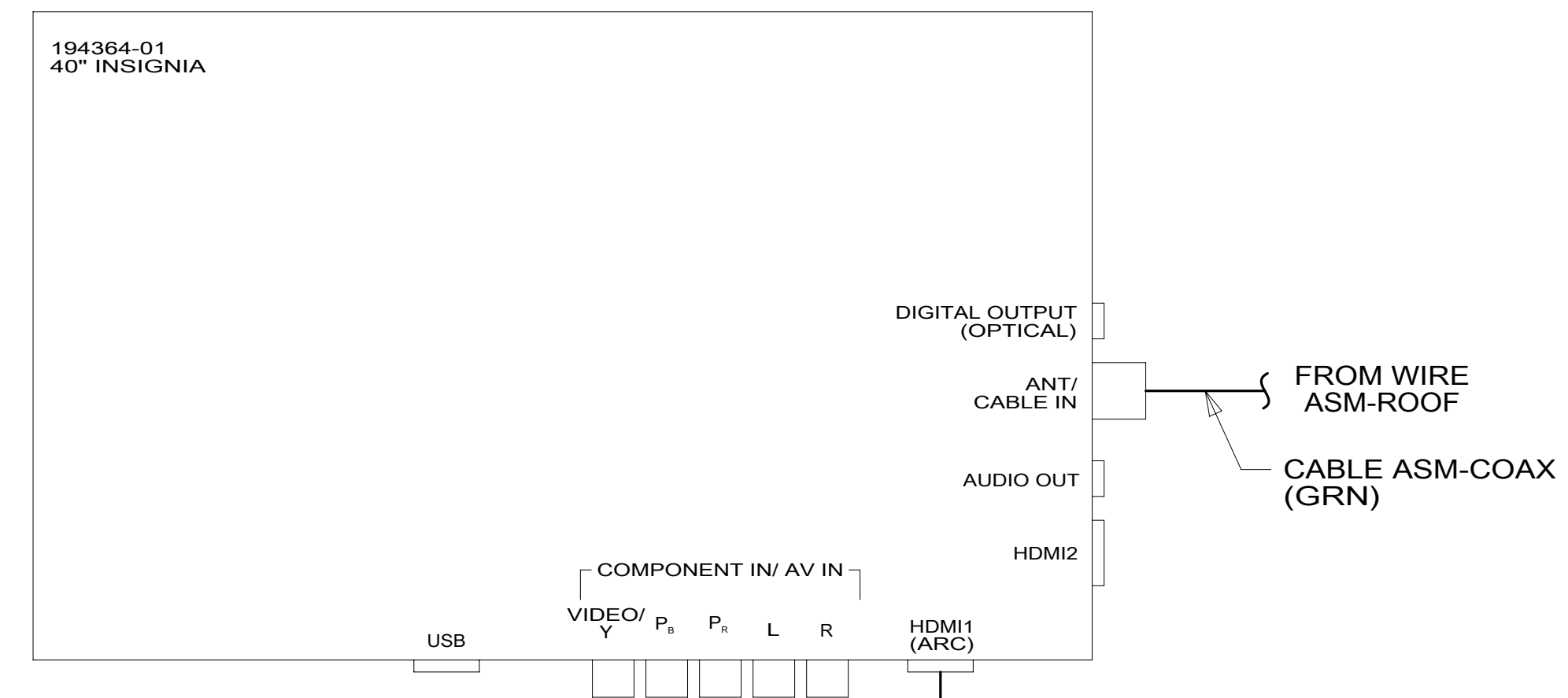
VIEW BA
(TV NOT SHOWN)



BRACKET-MOUNTING,TV
194546-01-CHT
SCREW
154938-04-CHT (11)

BRACKET-TV,
BASE,WALL,BDRM
190711-01-CHT
SCREW
153400-01-CHT (4)

VIEW BB



VIEW BC

FOR ELECTRICAL
TORQUE
SPECIFICATIONS
SEE DWG NO.
128783-01-000

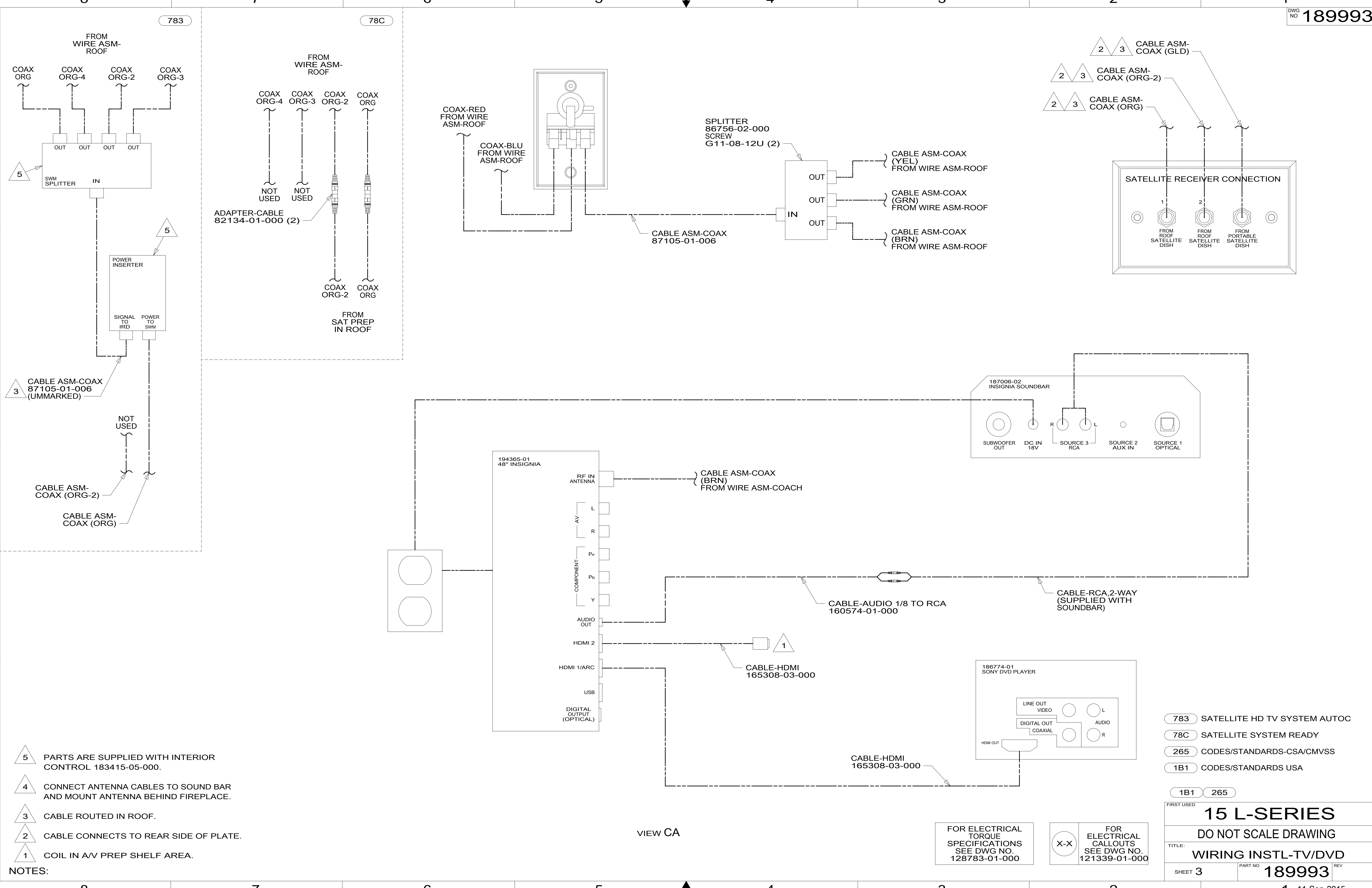
FOR
ELECTRICAL
CALLOUTS
SEE DWG NO.
121339-01-000

- 265 CODES/STANDARDS-CSA/CMVSS
- 1B1 CODES/STANDARDS USA

1B1 265

| | |
|-----------------------------------|---------------------------|
| FIRST USED | |
| 15 L-SERIES | |
| DO NOT SCALE DRAWING | |
| TITLE: WIRING INSTL-TV/DVD | |
| SHEET 2 | PART NO 189993 REV |
| 1 11-Sep-2015 | |

* 189993 A *



- NOTES:
- 5 PARTS ARE SUPPLIED WITH INTERIOR CONTROL 183415-05-000.
 - 4 CONNECT ANTENNA CABLES TO SOUND BAR AND MOUNT ANTENNA BEHIND FIREPLACE.
 - 3 CABLE ROUTED IN ROOF.
 - 2 CABLE CONNECTS TO REAR SIDE OF PLATE.
 - 1 COIL IN AV PREP SHELF AREA.

- 783 SATELLITE HD TV SYSTEM AUTOC
- 78C SATELLITE SYSTEM READY
- 265 CODES/STANDARDS-CSA/CMVSS
- 1B1 CODES/STANDARDS USA

| | |
|-----------------------------------|---------------------------|
| FIRST USED | |
| 15 L-SERIES | |
| DO NOT SCALE DRAWING | |
| TITLE: WIRING INSTL-TV/DVD | |
| SHEET 3 | PART NO 189993 REV |
| 11-Sep-2015 | |

FOR ELECTRICAL TORQUE SPECIFICATIONS SEE DWG NO. 128783-01-000

FOR ELECTRICAL CALLOUTS SEE DWG NO. 121339-01-000

VIEW CA

* 189993 A *